

If you have questions or comments, contact us.
Pour toute question ou tout commentaire, nous contacter.
Si tiene dudas o comentarios, contáctenos.

1-800-4-DEWALT • www.dewalt.com

INSTRUCTIVO DE OPERACIÓN, CENTROS DE SERVICIO Y PÓLIZA DE GARANTÍA. ADVERTENCIA: LEASE ESTE INSTRUCTIVO ANTES DE USAR EL PRODUCTO.

INSTRUCTION MANUAL
GUIDE D'UTILISATION
MANUAL DE INSTRUCCIONES

DEWALT®

DWD450, DWD460
VSR Stud and Joist Drill
Perceuse pour charpente VSR
Taladro RVS (Rango de Velocidad Variable) para Vigas

DEWALT Industrial Tool Co., 701 Joppa Road, Baltimore, MD 21286
(AUG08) Part No. 653126-00 DWD450, DW460 Copyright © 2008 DEWALT

The following are trademarks for one or more DEWALT power tools: the yellow and black color scheme; the "D" shaped air intake grill; the array of pyramids on the handgrip; the kit box configuration; and the array of lozenge-shaped humps on the surface of the tool.

Definitions: Safety Guidelines

The definitions below describe the level of severity for each signal word. Please read the manual and pay attention to these symbols.

▲ DANGER: Indicates an imminently hazardous situation which, if not avoided, will result in death or serious injury.

▲ WARNING: Indicates a potentially hazardous situation which, if not avoided, could result in death or serious injury.

▲ CAUTION: Indicates a potentially hazardous situation which, if not avoided, may result in minor or moderate injury.

CAUTION: Used without the safety alert symbol indicates a potentially hazardous situation which, if not avoided, may result in property damage.

IF YOU HAVE ANY QUESTIONS OR COMMENTS ABOUT THIS OR ANY DEWALT TOOL, CALL US TOLL FREE AT: 1-800-4-DEWALT (1-800-433-9258).

WARNING: To reduce the risk of injury, read the instruction manual.

General Power Tool Safety Warnings

WARNING! Read all safety warnings and instructions. Failure to follow the warnings and instructions may result in electric shock, fire and/or serious injury.

SAVE ALL WARNINGS AND INSTRUCTIONS FOR FUTURE REFERENCE

The term "power tool" in the warnings refers to your mains-operated (corded) power tool or battery-operated (cordless) power tool.

1) WORK AREA SAFETY

- Keep work area clean and well lit. Cluttered or dark areas invite accidents.
- Do not operate power tools in explosive atmospheres, such as in the presence of flammable liquids, gases or dust. Power tools create sparks which may ignite the dust or fumes.
- Keep children and bystanders away while operating a power tool. Distractions can cause you to lose control.

2) ELECTRICAL SAFETY

- Power tool plugs must match the outlet. Never modify the plug in any way. Do not use any adapter plugs with earthed (grounded) power tools. Unmodified plugs and matching outlets will reduce risk of electric shock.
- Avoid body contact with earthed or grounded surfaces such as pipes, radiators, ranges and refrigerators. There is an increased risk of electric shock if your body is earthed or grounded.
- Do not expose power tools to rain or wet conditions. Water entering a power tool will increase the risk of electric shock.
- Do not abuse the cord. Never use the cord for carrying, pulling or unplugging the power tool. Keep cord away from heat, oil, sharp edges or moving parts. Damaged or entangled cords increase the risk of electric shock.
- When operating a power tool outdoors, use an extension cord suitable for outdoor use. Use of a cord suitable for outdoor use reduces the risk of electric shock.
- If operating a power tool in a damp location is unavoidable, use a ground fault circuit interrupter (GFCI) protected supply. Use of a GFCI reduces the risk of electric shock.

3) PERSONAL SAFETY

- Stay alert, watch what you are doing and use common sense when operating a power tool. Do not use a power tool while you are tired or under the influence of drugs, alcohol or medication. A moment of inattention while operating power tools may result in serious personal injury.
- Use personal protective equipment. Always wear eye protection. Protective equipment such as dust mask, non-skid safety shoes, hard hat, or hearing protection used for appropriate conditions will reduce personal injuries.
- Prevent unintentional starting. Ensure the switch is in the off position before connecting to power source and/or battery pack, picking up or carrying the tool. Carrying power tools with your finger on the switch or energising power tools that have the switch on invites accidents.
- Remove any adjusting key or wrench before turning the power tool on. A wrench or a key left attached to a rotating part of the power tool may result in personal injury.
- Do not overreach. Keep proper footing and balance at all times. This enables better control of the power tool in unexpected situations.

f) Dress properly. Do not wear loose clothing or jewellery. Keep your hair, clothing and gloves away from moving parts. Loose clothes, jewellery or long hair can be caught in moving parts.

g) If devices are provided for the connection of dust extraction and collection facilities, ensure these are connected and properly used. Use of dust collection can reduce dust-related hazards.

4) POWER TOOL USE AND CARE

- Do not force the power tool. Use the correct power tool for your application. The correct power tool will do the job better and safer at the rate for which it was designed.
- Do not use the power tool if the switch does not turn it on and off. Any power tool that cannot be controlled with the switch is dangerous and must be repaired.
- Disconnect the plug from the power source and/or the battery pack from the power tool before making any adjustments, changing accessories, or storing power tools. Such preventive safety measures reduce the risk of starting the power tool accidentally.
- Store idle power tools out of the reach of children and do not allow persons unfamiliar with the power tool or these instructions to operate the power tool. Power tools are dangerous in the hands of untrained users.
- Maintain power tools. Check for misalignment or binding of moving parts, breakage of parts and any other condition that may affect the power tool's operation. If damaged, have the power tool repaired before use. Many accidents are caused by poorly maintained power tools.
- Keep cutting tools sharp and clean. Properly maintained cutting tools with sharp cutting edges are less likely to bind and are easier to control.
- Use the power tool, accessories and tool bits etc., in accordance with these instructions taking into account the working conditions and the work to be performed. Use of the power tool for operations different from those intended could result in a hazardous situation.

5) SERVICE

- Have your power tool serviced by a qualified repair person using only identical replacement parts. This will ensure that the safety of the power tool is maintained.

Additional Specific Safety Instructions

- Wear ear protectors with impact drills. Exposure to noise can cause hearing loss.
- Use auxiliary handles supplied with the tool. Loss of control can cause personal injury.
- Hold tool by insulated gripping surfaces when performing an operation where the cutting tools may contact hidden wiring or its own cord. Contact with a "live" wire will make exposed metal parts of the tool "live" and shock the operator.
- Use clamps or other practical way to secure and support the workpiece to a stable platform. Holding the work by hand or against your body is unstable and may lead to loss of control.
- Wear safety goggles or other eye protection. Hammering and drilling operations cause chips to fly. Flying particles can cause permanent eye damage.
- Keep handles dry, clean, and free from oil and grease. This will enable better control of the tool.
- Air vents often cover moving parts and should be avoided. Loose clothes, jewellery or long hair can be caught in moving parts.
- An extension cord must have adequate wire size (AWG or American Wire Gauge) for safety. The smaller the gauge number of the wire, the greater the capacity of the cable, that is 16 gauge has more capacity than 18 gauge. An undersized cord will cause a drop in line voltage resulting in loss of power and overheating. When using more than one extension to make up the total length, be sure each individual extension contains at least the minimum wire size. The following table shows the correct size to use depending on cord length and nameplate ampere rating. If in doubt, use the next heavier gauge. The smaller the gauge number, the heavier the cord.

Minimum Gauge for Cord Sets					
Ampere Rating		Total Length of Cord in Feet (meters)			
		120V	25 (7.6)	50 (15.2)	100 (30.5)
More Than	Not More Than	AWG			
0	6	18	16	16	14
6	10	18	16	14	12
10	12	16	16	14	12
12	16	14	12	Not Recommended	

▲ WARNING: ALWAYS use safety glasses. Everyday eyeglasses are NOT safety glasses. Also use face or dust mask if cutting operation is dusty. ALWAYS WEAR CERTIFIED SAFETY EQUIPMENT:

- ANSI Z87.1 eye protection (CAN/CSA Z94.3),
- ANSI S12.6 (S3.19) hearing protection,
- NIOSH/OSHA/MSHA respiratory protection.

▲ WARNING: Some dust created by power sanding, sawing, grinding, drilling, and other construction activities contains chemicals known to cause cancer, birth defects or other reproductive harm. Some examples of these chemicals are:

- lead from lead-based paints,
- crystalline silica from bricks and cement and other masonry products, and
- arsenic and chromium from chemically-treated lumber.

Your risk from these exposures varies, depending on how often you do this type of work. To reduce your exposure to these chemicals: work in a well ventilated area, and work with approved safety equipment, such as those dust masks that are specially designed to filter out microscopic particles.

▲ Avoid prolonged contact with dust from power sanding, sawing, grinding, drilling, and other construction activities. Wear protective clothing and wash exposed areas with soap and water. Allowing dust to get into your mouth, eyes, or lay on the skin may promote absorption of harmful chemicals.

▲ WARNING: Use of this tool can generate and/or disburse dust, which may cause serious and permanent respiratory or other injury. Always use NIOSH/OSHA approved respiratory protection appropriate for the dust exposure. Direct particles away from face and body.

▲ WARNING: Always wear proper personal hearing protection that conforms to ANSI S12.6 (S3.19) during use. Under some conditions and duration of use, noise from this product may contribute to hearing loss.

The label on your tool may include the following symbols. The symbols and their definitions are as follows:

V.....volts	A.....amperes
Hz.....hertz	W.....watts
min.....minutes	~.....alternating current
—.....direct current	⎓.....alternating or direct current
Ⓛ.....Class I Construction (grounded)	no.....no load speed
Ⓜ.....Class II Construction (double insulated)	Ⓛ.....earthing terminal
.../min.....per minute	▲.....safety alert symbol
	BPM.....beats per minute
	RPM.....revolutions per minute

SAVE THESE INSTRUCTIONS FOR FUTURE USE

COMPONENTS (Fig. 1)

▲ WARNING: Never modify the power tool or any part of it. Damage or personal injury could result.

- Bail handle
- Speed selector lever
- Forward/reverse button
- Trigger switch
- Bail handle bolt
- 1/2" (13 mm) keyed chuck
- Bind up control indicator (DWD460)
- Knuckle guard (DWD460)
- Side handle (two positions)

INTENDED USE

The DWD450 and DWD460 heavy-duty stud and joist drills are designed for professional drilling at various work sites (i.e., construction sites). **DO NOT** use under wet conditions or in presence of flammable liquids or gases.

These heavy-duty stud and joist drills are professional power tools. **DO NOT** let children come into contact with the tool. Supervision is required when inexperienced operators use this tool.

Motor

Be sure your power supply agrees with the nameplate marking. Voltage decrease of more than 10% will cause loss of power and overheating. DEWALT tools are factory tested; if this tool does not operate, check power supply.

Torque

▲ WARNING: This is a high-torque drill. To reduce the risk of serious personal injury, **ALWAYS** hold tool firmly with both hands in the proper position for operation as shown.

Torque is the twisting action the drill produces in regards to the rotating bit. As the drill bit meets resistance in the material being drilled, the motor responds by adjusting the output torque to meet the requirement up to the maximum capacity of the motor and gear system.

BRACING THE TOOL (FIG. 2, 10)

▲ WARNING: To reduce the risk of serious personal injury, **ALWAYS** use proper hand position as shown in Figure 2.

▲ WARNING: To reduce the risk of serious personal injury, **ALWAYS** hold or brace the tool securely in anticipation of a sudden reaction.

With hands in the proper hand position, brace the tool as shown in Figure 10.

SLIP CLUTCH

The DWD450 and DWD460 are each equipped with a slip clutch. The clutch is active when the low speed (1) is selected. When the bit or cutter bites into the workpiece, the clutch will slip and a ratcheting sound will be heard. Release the trigger. Continued clutching of the tool will reduce the life of this feature.

BIND-UP CONTROL (DWD460)

The DWD460 is equipped with bind-up control. This feature senses the motion of tool and reduces the motor torque to a manageable level if necessary. The bind-up control indicator (G) will illuminate to indicate status.

INDICATOR	DIAGNOSIS	SOLUTION
OFF	Tool is functioning normal	Follow all warnings and instructions when operating tool
SOLID	Bind up control has been activated	With tool properly supported, release trigger; The tool will function normally when the trigger is depressed again and the indicator light will go out
FLASHING	Bind up control is malfunctioning	Take the tool to an authorized DEWALT repair agent.

NOTE: If tool power is insufficient for normal drilling and LED does not flash take tool to authorized DEWALT repair center.

Bail Handle (Fig. 1, 3)

A bail handle is provided for carrying the tool and for use as an additional handle. Assemble the bail handle in one of the positions shown in Figure 3. When changing the location of the bail handle from one position to the other, completely remove the two bail handle bolts (E) securing it. Flip the handle over and reinstall.

Side Handle (Fig. 4)

▲ WARNING: To reduce the risk of personal injury, always operate the tool with the side handle properly installed and tightened. Failure to do so may result in the side handle slipping during tool operation and subsequent loss of control. Hold tool with both hands to maximize control.

The two position side handle (I) can be assembled into either side of tool. Thread the side handle (I) into the bail handle bolt (E) or directly into threaded holes (J) on desired side. Tighten securely by hand.

Speed Selector (Fig. 1)

CAUTION: Risk of tool damage. Do not rotate the speed selector lever while the drill is running or coasting, damage may occur to the tool.

Rotate the speed selector lever (B) to the desired speed:

- 1 = low speed (330 RPM)
- 2 = high speed (1300 RPM)

NOTE: The first time the tool is run after changing speeds, you may hear a click on start up. This is normal and does not indicate a problem.

Trigger Switch

Depressing the trigger switch (D) turns the tool on, releasing the trigger switch turns the tool off.

VARIABLE SPEED

A variable speed trigger switch permits speed control—the farther the trigger is depressed, the higher the speed of the drill.

NOTE: Use lower speeds for starting holes without a center punch, drilling in metal, plastics or ceramics. Higher speeds are better for drilling wood and composition boards.

Forward/Reverse Button (Fig. 1)

A forward/reverse button (C) determines the direction of the tool. It is located in front of the trigger switch.

To select forward rotation, release the trigger switch (D) and depress the forward/reverse button on the right side of the tool.

To select reverse, depress the forward/reverse button on the left side of the tool. When changing the position of the button, be sure the trigger is released.

NOTE: The first time the tool is run after changing the direction of rotation, you may hear a click on start up. This is normal and does not indicate a problem.

OPERATION

▲ WARNING: To reduce the risk of serious personal injury, turn tool off and disconnect tool from power source before making any adjustments or removing/installing attachments or accessories.

The bit rotates clockwise when the tool is in the forward position and counterclockwise when the tool is in the reverse position. If the bit binds, the tool will slow to a manageable level. Using proper hand position, brace the side handle (I) or tool body against a stud for better support.

Drilling

▲ WARNING: To reduce the risk of personal injury, **ALWAYS** ensure workpiece is anchored or clamped firmly. If drilling thin material, use a wood "back-up" block to prevent damage to the material.

- Use sharp drill bits only. For WOOD, use twist drill bits, spade bits, power auger bits, or hole saws. For METAL, use steel twist drill bits or hole saws.
- Always apply pressure in a straight line with the bit. Use enough pressure to keep drill biting, but do not push hard enough to stall the motor or deflect the bit.
- Hold tool firmly with both hands to control the twisting action of the drill.
- IF DRILL STALLS**, it is usually because it is being overloaded or improperly used. **RELEASE TRIGGER IMMEDIATELY**, remove drill bit from work, and determine cause of stalling. **DO NOT CLICK TRIGGER ON AND OFF IN AN ATTEMPT TO START A STALLED DRILL — THIS CAN DAMAGE THE DRILL.**
- To minimize stalling or breaking through the material, reduce pressure on drill and ease the bit through the last fractional part of the hole.
- Keep the motor running when pulling the bit back out of a drilled hole. This will help prevent jamming.
- With variable speed drills there is no need to center punch the point to be drilled. Use a slow speed to start the hole and accelerate by squeezing the trigger harder when the hole is deep enough to drill without the bit skipping out.

DRILLING IN METAL

Start drilling with slow speed and increase to full power while applying firm pressure on the tool. A smooth even flow of metal chips indicates the proper drilling rate. Use a cutting lubricant when drilling metals. The exceptions are cast iron and brass which should be drilled dry.

NOTE: Large [5/16" (8 mm) to 1/2" (13 mm)] holes in steel can be made easier if a pilot hole [5/32" (4 mm) to 3/16" (5 mm)] is drilled first.

DRILLING IN WOOD

Start drilling with slow speed and increase to full power while applying firm pressure on the tool. Holes in wood can be made with the same twist drills used for metal. These bits may overheat unless pulled out frequently to clear chips from the flutes. Work that is apt to splinter should be backed up with a block of wood.

Chuck Key Holder (Fig. 5, 6, 7)

- Push double-hole end of holder through the slot in other end of holder (Fig. 5).
- Slip loop over electric plug and draw loop tight around cord (Fig. 6).
- Push ends of chuck key handle (long end first) through two holes in end of holder (Fig. 7).

Keyed Chuck

Open the chuck jaws by turning collar by hand and insert the shank of the bit about 3/4" (19 mm) into chuck. Tighten the chuck collar by hand. Place chuck key in each of the three holes, and tighten in clockwise direction. It's important to tighten chuck with all three holes. To release the bit, turn the chuck counterclockwise in just one hole, then loosen the chuck by hand.

NOTE: When using hex shank or three sided shank bits be sure to align the flat sides of the bit with the chuck jaws to ensure the bit is properly engaged by the jaws.

REMOVAL OF KEYED CHUCK (FIG. 8)

Remove the left-handed clutch screw using a T25 torx wrench, rotating clockwise to loosen. Tighten the chuck around the shorter end of a hex wrench (not supplied) of 3/8" (10 mm) size.

FIG. 1

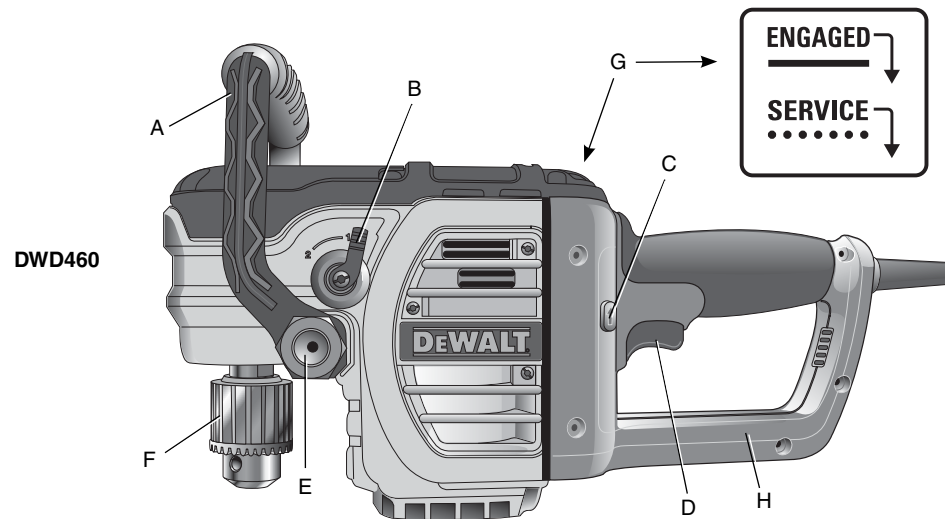
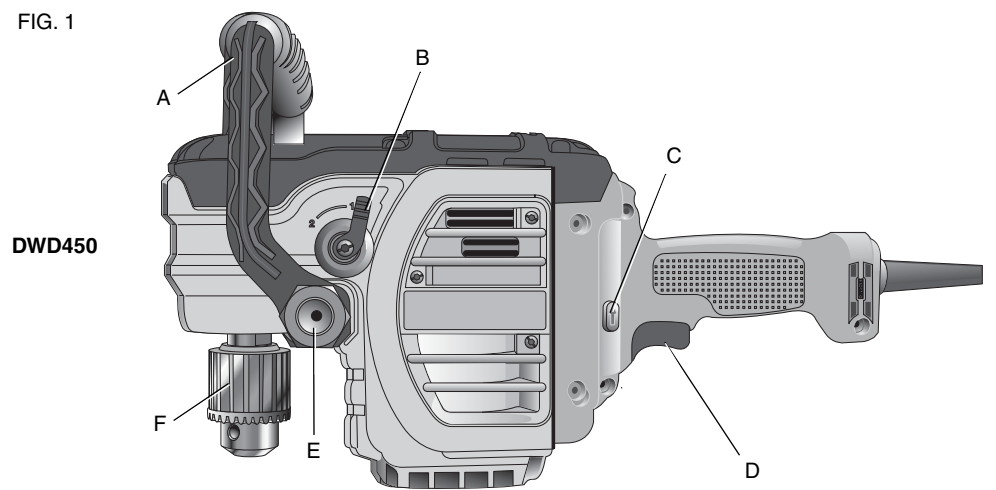


FIG. 2

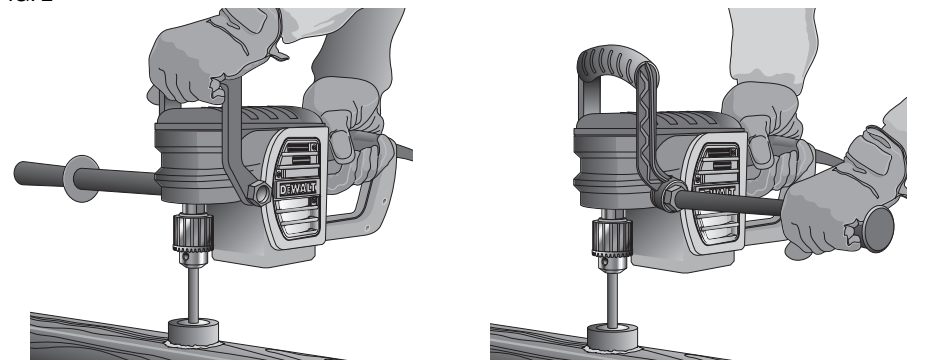


FIG. 3

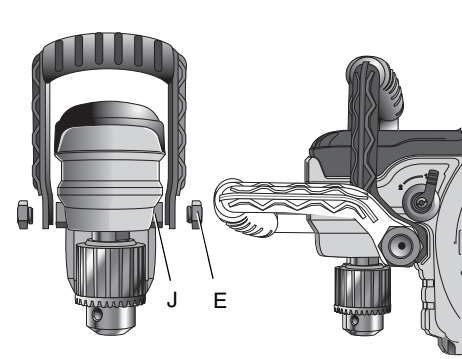


FIG. 4

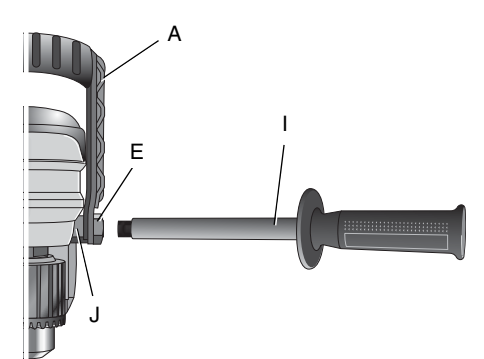


FIG. 5



FIG. 6

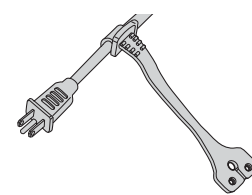


FIG. 7



FIG. 8

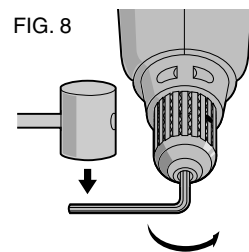


FIG. 9

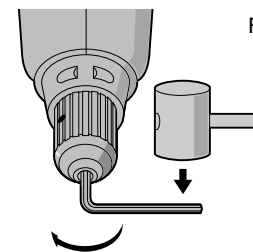
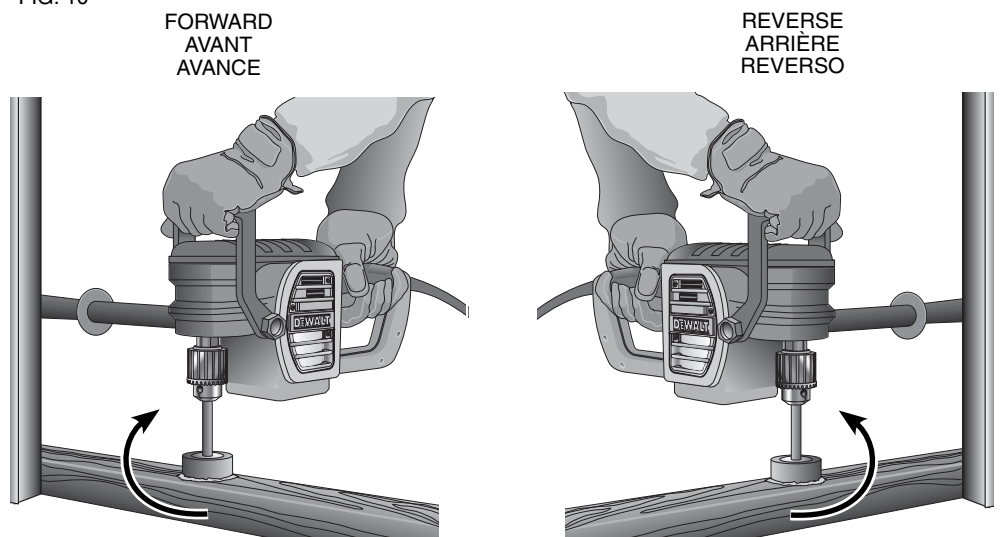


FIG. 10



With the tool braced securely, use a soft hammer and strike the hex wrench sharply in the counterclockwise direction when viewed from the front of the tool. This will loosen the chuck so that it can be removed by hand.

KEYED CHUCK INSTALLATION (FIG. 9)

Screw the chuck on by hand as far as it will go. Insert the shorter end of a hex wrench (not supplied) of 3/8" (10 mm) size and strike it in the clockwise direction with a soft hammer. Reinstall the left handed clutch screw.

MAINTENANCE

▲ WARNING: To reduce the risk of serious personal injury, turn tool off and disconnect tool from power source before making any adjustments or removing/installing attachments or accessories.

Cleaning

▲ WARNING: Blow dirt and dust out of all air vents with clean, dry air at least once a week. To minimize the risk of eye injury, always wear ANSI Z87.1 approved eye protection when performing this.

▲ WARNING: Never use solvents or other harsh chemicals for cleaning the non-metallic parts of the tool. These chemicals may weaken the plastic materials used in these parts. Use a cloth dampened only with water and mild soap. Never let any liquid get inside the tool; never immerse any part of the tool into a liquid.

Motor Brushes

DEWALT uses an advanced brush system which automatically stops the drill when the brushes wear out. This prevents serious damage to the motor. New brush assemblies are available at authorized DEWALT service centers. Always use identical replacement parts.

Lubrication

Your tool was properly lubricated before leaving the factory. In from two to six months, depending upon use, take or send your tool to a DEWALT Service Center or other qualified service organization for a complete cleaning, inspection and relubrication.

Tools used constantly on production or heavy duty jobs or exposed to heat may require more frequent lubrication. Tools "out of service" for long periods should be relubricated before being put back into service.

Repairs

To assure product SAFETY and RELIABILITY, repairs, maintenance and adjustments (including brush inspection and replacement) should be performed by a DEWALT factory service center, a DEWALT authorized service center or other qualified service personnel. Always use identical replacement parts.

Accessories

▲ WARNING: Since accessories, other than those offered by DEWALT, have not been tested with this product, use of such accessories with this tool could be hazardous. To reduce the risk of injury, only DEWALT, recommended accessories should be used with this product.

Recommended accessories for use with your tool are available at extra cost from your local service center.

If you need assistance in locating any accessory, please contact DEWALT Industrial Tool Co., 701 East Joppa Road, Baltimore, MD 21286 or call 1-800-4-DEWALT (1-800-433-9258).

▲ CAUTION: To reduce the risk of injury, the following accessories should be used only in sizes up to the maximums shown in the table below.

MAXIMUM RECOMMENDED CAPACITIES

	LOW SPEED	HIGH SPEED
R.P.M.	330	1300
WOOD, FLAT BORING	–	1-1/2" (38 mm)
HOLE SAWS	6" (152.4 mm)	–
SHIP AUGER	–	1-1/2" (38 mm)
SELF-FEED BITS	4-5/8" (102 mm)	2-9/16" (65 mm)
CLUTCH OPERATIVE	YES	NO
BIND UP CONTROL (DWD460)	YES	YES

NOTE: For holes in metal larger than 1/2" (13 mm) use hole saws.

Three Year Limited Warranty

DEWALT will repair, without charge, any defects due to faulty materials or workmanship for three years from the date of purchase. This warranty does not cover part failure due to normal wear or tool abuse. For further detail of warranty coverage and warranty repair information, visit www.dewalt.com or call 1-800-4-DEWALT (1-800-433-9258). This warranty does not apply to accessories or damage caused where repairs have been made or attempted by others. This warranty gives you specific legal rights and you may have other rights which vary in certain states or provinces.

In addition to the warranty, DEWALT tools are covered by our:

1 YEAR FREE SERVICE

DEWALT will maintain the tool and replace worn parts caused by normal use, for free, any time during the first year after purchase.

90 DAY MONEY BACK GUARANTEE

If you are not completely satisfied with the performance of your DEWALT Power Tool, Laser, or Nailer for any reason, you can return it within 90 days from the date of purchase with a receipt for a full refund – no questions asked.

LATIN AMERICA: This warranty does not apply to products sold in Latin America. For products sold in Latin America, see country specific warranty information contained either in the packaging, call the local company or see website for warranty information.

FREE WARNING LABEL REPLACEMENT: If your warning labels become illegible or are missing, call 1-800-4-DEWALT for a free replacement.



Définitions : lignes directrices en matière de sécurité

Les définitions ci-dessous décrivent le niveau de danger pour chaque mot-indicateur employé. Veuillez lire le mode d'emploi et porter une attention particulière à ces symboles.

▲ DANGER : indique une situation dangereuse imminente qui, si elle n'est pas évitée, causera la mort ou des blessures graves.

▲ AVERTISSEMENT : indique une situation potentiellement dangereuse qui, si elle n'est pas évitée, pourrait se solder par un décès ou des blessures graves.

▲ ATTENTION : indique une situation potentiellement dangereuse qui, si elle n'est pas évitée pourrait se solder par des blessures mineures ou modérées.

ATTENTION : utilisé sans le symbole d'alerte à la sécurité, indique une situation potentiellement dangereuse qui, si elle n'est pas évitée pourrait se solder par des dommages à la propriété.

POUR TOUT COMMENTAIRE OU QUESTION RELATIF À CET OUTIL OU TOUT AUTRE OUTIL DEWALT, COMPOSEZ GRATUITEMENT LE : 1-800-4-DEWALT (1-800-433-9258).

▲ AVERTISSEMENT : Pour réduire tout risque de dommage corporel, lire le manuel de l'utilisateur.

Directives de sécurité relatives aux outils électriques en général

▲ AVERTISSEMENT ! Lire toutes les directives et consignes de sécurité. Tout manquement aux directives et consignes pose des risques de choc électrique, d'incendie et/ou de blessure grave.

CONSERVER TOUTES CES DIRECTIVES ET CONSIGNES À TITRE DE RÉFÉRENCE

Le terme « outil électrique » dans ces directives se rapporte à votre outil électrique alimenté sur secteur (avec fil) ou par piles (sans fil).

1) SÉCURITÉ - AIRE DE TRAVAIL

a) **Maintenir l'aire de travail propre et bien éclairée.** Les lieux encombrés ou sombres sont propices aux accidents.

b) **Ne pas faire fonctionner un outil électrique dans une atmosphère explosive, en présence par exemple de poussières, gaz ou liquides inflammables.** Les outils électriques peuvent produire des étincelles qui pourraient enflammer toute émanation ou poussière ambiante.

c) **Tenir les enfants, ou toute autre personne, à l'écart pendant l'utilisation d'un outil électrique.** Toute distraction pourrait faire perdre la maîtrise de l'appareil.

2) SÉCURITÉ – ÉLECTRICITÉ

a) **La fiche électrique de l'outil doit correspondre à la prise murale. Ne jamais modifier la fiche en aucune façon. Ne jamais utiliser de fiche d'adaptation avec un outil électrique mis à la terre.** L'utilisation de fiches d'origine et de prises appropriées réduira les risques de choc électrique.

b) **Éviter tout contact corporel avec des éléments mis à la terre comme tuyaux, radiateurs, cuisinières ou réfrigérateurs.** Les risques de choc électrique augmentent lorsque le corps est mis à la terre.

c) **Ne pas exposer les outils électriques à la pluie ou à l'humidité.** Toute pénétration d'un outil électrique par un liquide augmente les risques de choc électrique.

d) **Ne pas utiliser le cordon de façon abusive. Ne jamais utiliser le cordon pour transporter, tirer ou débrancher un outil électrique. Protéger le cordon de la chaleur, de l'huile et de tout bord tranchant ou pièce mobile.** Les cordons endommagés ou emmêlés augmentent les risques de choc électrique.

e) **Lors de l'utilisation d'un outil électrique à l'extérieur, n'utiliser que des rallonges conçues pour l'extérieur.** L'utilisation d'une rallonge conçue pour l'extérieur réduit les risques de choc électrique.

f) **Si l'utilisation d'un outil électrique en milieu humide est inévitable, utiliser une alimentation protégée par un disjoncteur de fuites à la terre (DDFT).** L'utilisation d'un DDFT réduit les risques de choc électrique.

3) SÉCURITÉ PERSONNELLE

a) **Rester constamment vigilant et faire preuve de jugement pendant l'utilisation d'un outil électrique. Ne pas utiliser d'outil électrique en cas de fatigue ou sous l'influence de drogues, d'alcool ou de médicaments.** Tout moment d'inattention pendant l'utilisation d'un outil électrique pose des risques de blessure grave.

b) **Utiliser un équipement de protection individuel. Porter systématiquement des lunettes de protection.** Le fait de porter un équipement de protection tel que masque antipoussières, chaussures antidérapantes, casque de sécurité ou protecteurs auditifs lorsque la situation le requiert, réduira les risques de dommages corporels.

c) **Prévenir tout démarrage accidentel. S'assurer que l'interrupteur est en position d'arrêt avant de brancher l'outil et/ou de le connecter à un bloc-piles, et avant de le saisir ou de le transporter.** Transporter un outil le doigt sur l'interrupteur, ou brancher un outil électrique alors que l'interrupteur est en position de marche, invite les accidents.

d) **Retirer toute clé de réglage avant de démarrer l'outil.** Une clé laissée sur une pièce rotative d'un outil électrique pose des risques de blessure.

e) **Ne pas effectuer de travaux hors de portée. Les pieds doivent rester bien ancrés au sol afin de maintenir son équilibre en tout temps.** Cela permet de mieux maîtriser l'outil électrique dans les situations imprévues.

f) **Porter des vêtements appropriés. Ne pas porter de vêtements amples ni de bijoux. Maintenir cheveux, vêtements et gants éloignés des pièces mobiles.** Vêtements amples, bijoux ou cheveux longs risquent de rester coincés dans ces pièces mobiles.

g) **Lorsqu'un dispositif de connexion à un système de dépoussiérage ou d'élimination est fourni, s'assurer qu'il est connecté et utilisé correctement.** L'utilisation d'aspirateurs peut réduire les risques engendrés par les poussières.

4) UTILISATION ET ENTRETIEN DES OUTILS ÉLECTRIQUES

a) **Ne pas forcer un outil électrique. Utiliser l'outil approprié au travail en cours.** L'outil approprié effectuera un meilleur travail, de façon plus sûre et à la vitesse pour laquelle il a été conçu.

b) **Ne pas utiliser un outil électrique dont l'interrupteur est défectueux.** Tout appareil dont l'interrupteur est défectueux est dangereux et doit être réparé.

c) **Débrancher la fiche du secteur et/ou le bloc-piles de l'outil électrique avant de faire tout réglage ou changement d'accessoire, ou avant de ranger ce dernier.** Ces mesures préventives réduisent les risques de démarrage accidentel de l'appareil.

d) **Après usage, ranger les outils électriques hors de la portée des enfants, et ne permettre à aucune personne n'étant pas familière avec un outil électrique (ou son manuel d'instruction) d'utiliser ce dernier.** Les outils peuvent être dangereux entre les mains des novices.

e) **Entretenir les outils électriques. Vérifier les pièces mobiles pour s'assurer qu'elles sont bien alignées et tournent librement, qu'elles sont en bon état et ne sont affectées d'aucune condition susceptible de nuire au bon fonctionnement de l'outil.** En cas de dommage, faire réparer l'outil électrique avant toute nouvelle utilisation. Bien des accidents sont causés par des outils mal entretenus.

f) **Maintenir toute lame aiguisée et propre.** Les outils de coupe bien entretenus et affûtés sont moins susceptibles de se coincer et sont plus faciles à contrôler.

g) **Utiliser un outil électrique, ses accessoires, mèches, etc., conformément aux présentes directives en tenant compte des conditions de travail et du travail à effectuer.** L'utilisation d'un outil électrique pour toute opération autre que celle pour laquelle il a été conçu est dangereuse.

5) SERVICE

a) **Faire entretenir les outils électriques par un réparateur qualifié en utilisant seulement des pièces de rechange identiques.** Cela permettra d'assurer l'intégrité de l'outil électrique et la sécurité de l'utilisateur.

Consignes de sécurité particulières additionnelles

- **Pendant l'utilisation d'une perceuse à percussion, porter un protège-oreille.** Le bruit en résultant pourrait occasionner une perte de l'ouïe.
- **Utiliser les poignées auxiliaires fournies avec l'outil.** Une perte de contrôle de l'outil pourrait occasionner des dommages corporels.
- **Tenir l'outil par les surfaces isolées prévues à cet effet pendant toute utilisation où l'organe de coupe pourrait entrer en contact avec des fils électriques cachés ou son propre cordon.** Tout contact avec un fil sous tension met les parties métalliques exposées de l'outil sous tension et électrocute l'utilisateur.
- **Utiliser des serre-joints ou tout autre moyen pour fixer et immobiliser le matériau sur une surface stable.** Tenir la pièce à la main ou contre son corps offre une stabilité insuffisante qui pourrait vous en faire perdre le contrôle.
- **Porter des lunettes de protection ou toute autre protection oculaire.** Le martelage et le perçage peuvent faire voltiger des éclats. Ces particules volantes pourraient occasionner des dommages oculaires permanents.
- **Maintenir les poignées propres et sèches, exempts d'huile ou de graisse.** Cela permettra un meilleur contrôle de l'outil.
- **Prendre des précautions à proximité des événements, car ils cachent des pièces mobiles.** Vêtements amples, bijoux ou cheveux longs risquent de rester coincés dans ces pièces mobiles.
- **Pour la sécurité de l'utilisateur, utiliser une rallonge de calibre adéquat (AWG, American Wire Gauge [calibrage américain normalisé des fils électriques]).** Plus le calibre est petit, et plus sa capacité est grande. Un calibre 16, par exemple, a plus de capacité qu'un calibre 18. L'usage d'une rallonge de calibre insuffisant causera une chute de tension entraînant perte de puissance et surchauffe. Si plus d'une rallonge est utilisée pour obtenir une certaine longueur, s'assurer que chaque rallonge présente au moins le calibre de fil minimum. Le tableau ci-dessous illustre les calibres à utiliser selon la longueur de rallonge et l'intensité nominale indiquée sur la plaque signalétique. En cas de doute, utiliser le calibre suivant. Plus le calibre est petit, plus la rallonge peut supporter de courant.

Calibres minimaux des rallonges						
Intensité (en ampères)			Volts			
			Longueur totale de cordon en mètres (pieds)			
			120V	15,2 (50)	30,5 (100)	45,7 (150)
		240V	15,2 (50)	30,5 (100)	61,0 (200)	91,4 (300)
Supérieur à	Inférieur à	AWG				
0	6	18	16	16	14	
6	10	18	16	14	12	
10	12	16	16	14	12	
12	16	14	12	Non recommandé		

▲ AVERTISSEMENT : Porter SYSTÉMATIQUEMENT des lunettes de protection. Les lunettes courantes NE sont PAS des lunettes de protection. Utiliser aussi un masque antipoussières si la découpe doit en produire beaucoup. PORTER SYSTÉMATIQUEMENT UN ÉQUIPEMENT DE PROTECTION HOMOLOGUÉ.

- Protection oculaire ANSI Z87.1 (CAN/CSA Z94.3 ;
- Protection auditive ANSI S12.6 (S3.19) ;
- Protection des voies respiratoires NIOSH/OSHAMSHA.

▲ AVERTISSEMENT : Certains outils électriques, tels que les sableuses, les scies, les meules, les perceuses ou autres outils de construction peuvent produire de la poussière contenant des produits chimiques susceptibles d'entraîner le cancer, des malformations congénitales ou pouvant être nocifs pour le système reproductif. Parmi ces produits chimiques, on retrouve :

- le plomb dans les peintures à base de plomb ;
- la silice cristallisée dans les briques et le ciment ou autres articles de maçonnerie, et

- l'arsenic et le chrome dans le bois ayant subi un traitement chimique.*

Le risque associé à de telles expositions varie selon la fréquence à laquelle on effectue ces travaux. Pour réduire toute exposition à ces produits : travailler dans un endroit bien aéré, en utilisant du matériel de sécurité homologué tel un masque antipoussières spécialement conçu pour filtrer les particules microscopiques.

- Limiter tout contact prolongé avec les poussières provenant du ponçage, sciage, meulage, perçage ou toute autre activité de construction. Porter des vêtements de protection et nettoyer à l'eau savonneuse les parties du corps exposées. Le fait de laisser la poussière pénétrer dans la bouche, les yeux ou la peau peut promouvoir l'absorption de produits chimiques dangereux.**

⚠ AVERTISSEMENT : Cet outil peut produire et/ou répandre de la poussière susceptible de causer des dommages sérieux et permanents au système respiratoire. Toujours utiliser un appareil respiratoire antipoussières homologué par le NIOSH ou l’OSHA. Diriger les particules dans le sens opposé au visage et au corps.

⚠ AVERTISSEMENT : Pendant l'utilisation, porter systématiquement une protection auditive individuelle adéquate homologuée ANSI S12.6 (S3.19). Sous certaines conditions et suivant la longueur d'utilisation, le bruit émanant de ce produit pourrait contribuer à une perte de l'ouïe.

- L'étiquette apposée sur votre outil peut inclure les symboles suivants. Les symboles et leur définition sont définis ci-après :*

<i>V</i>Volts	<i>A</i>ampères
<i>Hz</i>hertz	<i>W</i>watts
<i>min</i>minutes.	<i>~</i>courant alternatif
<i>---</i>courant continu	<i>≈</i>courant alternatif ou continu
ⓁClasse / Fabrication (mis à la terre)	<i>n</i> <i>o</i>vitesse à vide
ⓁClasse II Fabrication (double isolation)	⊕borne de terre
<i>.../min</i>par minute	⚠symbole d'avertissement
	<i>BPM</i>battements par minute
	<i>RPM</i>tours par minute

CONSERVER CES CONSIGNES POUR UTILISATION ULTÉRIEURE

DESCRIPTION (Fig. 1)

⚠ AVERTISSEMENT : Ne jamais modifier l’outil électrique ni aucun de ses composants. Il y a risques de dommage corporel ou matériel.

- A. Poignée étrier
- B. Sélecteur de vitesse
- C. Bouton marche avant/arrière
- D. Gâchette
- E. Boulon de poignée étrier
- F. Mandrin à clé de 13 mm (1/2 po.)
- G. Voyant de contrôle de blocage (DWD460)
- H. Protège-doigts (DWD460)
- I. Poignée latérale (deux positions)

USAGE PRÉVU

Les perceuses industrielles pour charpente DWD450 et DWD460 ont été conçues pour le perage professionnel sur différents lieux de travail (ex. : chantiers de construction). **NE PAS** utiliser l’outil en milieu ambiant humide ou en présence de liquides ou de gaz inflammables.

Ces perceuses industrielles pour charpente sont des outils de professionnels. **NE PAS** laisser l’outil à la portée des enfants. Une supervision est nécessaire auprès de tout utilisateur non expérimenté.

Moteur

S’assurer que le courant utilisé correspond à celui recommandé sur la plaque signalétique. Une baisse de tension de plus de 10% causera perte de puissance et surchauffe. Les outils DEWALT sont testés en usine. Si l’outil ne fonctionne pas correctement, vérifier la source d’alimentation.

Couple

⚠ AVERTISSEMENT : Cette perceuse dispose d’un couple élevé. Pour réduire tout risque de dommages corporels graves, maintenir **SYSTÉMATIQUEMENT l’outil fermement, à deux mains, dans la position adéquate, comme illustré.**

Le couple est l’action de torsion produite par la perceuse lors de la rotation de la mèche. Alors que la mèche rencontre de la résistance dans le matériau percé, le moteur répond en ajustant le couple de sortie de façon à remplir les besoins suivant la capacité maximale du moteur et de l’engrenage.

PRÉHENSION DE L’OUTIL (FIG. 2, 10)

⚠ AVERTISSEMENT : Pour réduire tout risque de dommages corporels graves, maintenir **SYSTÉMATIQUEMENT l’outil en respectant la position des mains illustrée en figure 2.**

⚠ AVERTISSEMENT : Pour réduire tout risque de dommages corporels graves, saisir et maintenir **SYSTÉMATIQUEMENT l’outil fermement pour anticiper toute réaction soudaine.**

En respectant la position des mains, saisir l’outil comme illustré en figure 10.

LIMITEUR DE COUPLE À FRICTION

Les DWD450 et DWD460 sont toutes les deux équipées d’un limiteur de couple à friction. Ce limiteur est activé lorsque la vitesse réduite (1) est choisie. Lorsque la mèche ou le couteau mord dans la pièce à travailler, le limiteur glisse et un cliquetis se fait entendre. Relâchez alors la gâchette. La fréquence de la récurrence de ce processus réduira la durée de vie du dispositif.

CONTRÔLE DE BLOCAGE (DWD460)

La DWD460 est équipée d’un dispositif de contrôle de blocage. Ce dispositif détecte le niveau d’activité de l’outil est ramène le couple du moteur à un taux raisonnable si nécessaire. Le voyant de contrôle de blocage (G) s’allumera pour indiquer son statut.

VOYANT	DIAGNOSTIC	SOLUTION
ÉTEINT	L'outil fonctionne normalement	Suivre les directives et consignes pendant l'utilisation de l'outil.
		En s’assurant que l’outil est correctement maintenu, relâcher la gâchette. L’outil fonctionnera normalement lorsqu’on réappuiera sur la gâchette et le voyant s’éteindra.
CONTINU	Le contrôle de blocage a été activé	
CLIGNOTANT	Défaillance du contrôle de blocage	Amener l’outil dans un centre de réparation agréé DEWALT.

REMARQUE : Si l’alimentation est insuffisante pour le fonctionnement normal de la perceuse, et que le DEL ne clignote pas, amener l’outil dans un centre de réparation agréée DeWALT.

Poignée étrier (Fig. 1, 3)

L’outil est équipé d’une poignée étrier supplémentaire pour son transport ou son utilisation. Installez la poignée étrier en choisissant l’une des positions illustrées en figure 3. Pour changer la position de la poignée étrier, retirez complètement les deux boulons de poignée étrier (E) qui la fixe au boîtier. Faites basculer la poignée et réinstallez-la.

Poignée latérale (Fig. 4)

⚠ AVERTISSEMENT :Pour réduire tout risque de dommages corporels, utiliser systématiquement l’outil avec sa poignée latérale installée correctement et solidement. Tout manquement à cette directive pourrait faire que la poignée latérale glisse pendant l’utilisation de l’outil et entraîner la perte du contrôle de celui-ci. Maintenir l’outil fermement à deux mains pour un contrôle maximum.

La poignée latérale à deux positions (I) peut être indifféremment installée sur l’un ou l’autre des côtés de l’outil. Vissez la poignée latérale (I) dans le boulon de poignée (E) ou directement dans les trous filetés (J) sur le côté choisi. Serrez ensuite fermement manuellement.

Sélecteur de vitesse (Fig. 1)

ATTENTION : Risques de dommage matériel. Ne pas tourner le sélecteur de vitesse alors que la perceuse fonctionne ou n’est pas complètement arrêtée, des dommages matériels pourraient en résulter.

Ajustez le sélecteur de vitesse (B) à la vitesse désirée :

- 1 = vitesse réduite (330 r/min)
- 2 = vitesse élevée (1300 r/min)

REMARQUE : Lorsque l’outil est remis en marche après un changement de vitesse, un clic pourra se faire entendre. C’est normal et ne représente nullement une défaillance du produit.

Gâchette

Appuyer sur la gâchette (D), met l’outil en marche. Relâcher la gâchette, arrête l’outil.

VITESSE VARIABLE

La gâchette à vitesse variable permet de contrôler la vitesse. Plus on appuie à fond sur la gâchette, plus la vitesse de la perceuse est élevée.

REMARQUE : Utiliser une vitesse réduite pour commencer un trou sans pointeau, pour percer le métal, les plastiques ou la céramique. Les vitesses élevées sont recommandées pour percer le bois et les panneaux d’aggloméré.

Bouton marche avant/arrière (Fig. 1)

Le bouton marche avant/arrière (C) détermine la direction de l’outil. Il se trouve devant la gâchette.

Pour choisir la marche avant, relâchez la gâchette (D) puis appuyez sur le bouton marche avant/arrière sur le côté droit de l’outil.

Pour choisir la marche arrière, appuyez sur le bouton marche avant/arrière sur le côté gauche de l’outil. Avant de changer la position du bouton, assurez-vous que la gâchette est bien relâchée.

REMARQUE : Lorsque l’outil est remis en marche après un changement de direction, un clic pourra se faire entendre. C’est normal et ne représente nullement une défaillance du produit.

FONCTIONNEMENT

⚠ AVERTISSEMENT : Pour réduire tout risque de dommages corporels graves, arrêter et débrancher l’outil avant tout réglage ou avant de retirer ou installer toute pièce ou tout accessoire.

La mèche tourne vers la droite lorsque l’outil est en marche avant, et vers la gauche lorsque l’outil est en marche arrière. Si la mèche se coince, l’outil ralentira jusqu’à une vitesse raisonnable. Disposez vos mains dans la position adéquate, agrippez la poignée latérale (I) ou appuyez le corps de l’outil contre un chevron pour plus de support.

Perçage

⚠ AVERTISSEMENT : Pour réduire tout risque de dommages corporels, s’assurer **SYSTÉMATIQUEMENT que la pièce est ancrée ou arrimée solidement. Pour percer des matériaux fins, utiliser un morceau de bois « de renfort » pour éviter de les endommager.**

- Utilisez seulement des mèches bien affûtées. Pour le BOIS, utilisez : mèches hélicoïdales, forets à trois pointes, mèches torsadées ou emporte-pièce. Pour le MÉTAL, utilisez : mèches hélicoïdales en acier ou emporte-pièce.
- Appliquez systématiquement une certaine pression sur la mèche tout en restant dans l’alignement. Utilisez assez de pression pour que la perceuse avance, mais sans pousser trop fort pour éviter de bloquer le moteur ou dévier la mèche.
- Maintenez fermement l’outil à deux mains pour contrôler l’action de torsion de la perceuse.
- SI LA PERCEUSE SE BLOQUE**, c’est en général parce qu’elle est surchargée ou utilisée incorrectement. **RELÂCHEZ ALORS LA GÂCHETTE IMMÉDIATEMENT**, retirez la mèche de la pièce puis déterminez quelle est la cause du blocage. **N’APPUYEZ PAS RÉPÉTITIVEMENT SUR LA GÂCHETTE POUR TENTER DE REDÉMARRER UNE PERCEUSE BLOQUÉE. CELA POURRAIT ENDOMMAGER LA PERCEUSE.**
- Pour minimiser tout blocage ou rupture du matériau, réduisez la pression sur la perceuse pour faciliter le passage de la mèche dans la partie finale du trou.
- Gardez le moteur en marche alors que vous retirez la mèche du trou pour éviter qu’elle y reste coincée.
- Les pointeaux sont inutiles lorsqu’on utilise une perceuse à vitesse variable. Utilisez une vitesse réduite pour commencer un trou, puis accélérez en appuyant plus fort sur la gâchette lorsque le trou est assez profond pour que la mèche ne ressorte pas.

PERÇAGE DU MÉTAL

Commencez à percer à une vitesse réduite puis passez à pleine puissance tout en maintenant une pression ferme sur l’outil. Un jet fluide et régulier de débris métalliques sera indicateur d’une vitesse adéquate. Utilisez un lubrifiant de coupe pour percer les métaux, à l’exception de la fonte et du laiton qui doivent être percés à sec.

REMARQUE : Les trous larges [de 8 mm (5/16 po.) à 13 mm (1/2 po.)] dans l’acier peuvent être facilités si l’on perce d’abord un trou pilote [de 4 mm (5/32 po.) à 5 mm (3/16 po.)],

PERÇAGE DU BOIS

Commencez à percer à une vitesse réduite puis passez à pleine puissance tout en maintenant une pression ferme sur l’outil. Les trous dans le bois peuvent être effectués avec les mêmes mèches hélicoïdales que pour le métal. Ces mèches peuvent surchauffer si on ne les retire pas fréquemment du trou pour éliminer les débris. Tout matériau risquant d’éclater doit être renforcé par un morceau de bois.

Sangle de la clé de mandrin (Fig. 5, 6, 7)

- Insérez l’un des bouts de la sangle à deux trous dans sa fente à l’autre bout (fig. 5).
- Glissez le cordon électrique dans la boucle puis resserrez fermement la boucle autour du cordon (fig. 6).
- Insérez les extrémités de la poignée de la clé de mandrin (le bout long en premier) au travers des deux trous en bout de sangle (fig. 7).

Mandrin à clé

Ouvrez les mâchoires du mandrin en faisant tourner la bague manuellement puis insérez-y l’arbre de la mèche sur une longueur d’environ 19 mm (3/4 po.). Resserrez le collier du mandrin manuellement. Insérez la clé de mandrin dans chacun des trois trous puis serrez vers la droite. Il est important de serrer le mandrin à l’aide des trois trous. Pour relâcher la mèche, faites tourner la clé du mandrin vers la gauche dans un seul trou, puis desserrez le mandrin manuellement.

REMARQUE : Lorsqu’on utilise une queue de forêt hexagonale ou une mèche trilatérale, s’assurer de bien aligner les côtés plats de la mèche avec les mâchoires du mandrin pour s’assurer que la mèche est bien engagée dans celles-ci.

RETRAIT DU MANDRIN À CLÉ (FIG. 8)

Retirez la vis de mandrin de gauche à l’aide de la clé mâle pour empreinte hexalobée T25, en tournant vers la droite pour la desserrer. Resserrez le mandrin autour de l’extrémité la plus courte d’une clé hexagonale (non fournie) de 10 mm (3/8 po.). Une fois l’outil fermement arrimé, utilisez un marteau souple pour donner un coup sec sur la clé hexagonale vers la gauche (par rapport à l’avant de l’outil). Cela desserrera le mandrin et permettra de le retirer manuellement.

INSTALLATION DU MANDRIN À CLÉ (FIG. 9)

Vissez à fond le mandrin manuellement. Insérez l’extrémité courte d’une clé hexagonale (non fournie) de 10 mm (3/8 po.) et, à l’aide d’un marteau souple, donnez un coup sec sur la clé vers la droite. Réinstallez la vis de gauche du mandrin.

MAINTENANCE

⚠ AVERTISSEMENT : Pour réduire tout risque de dommages corporels graves, arrêter et débrancher l’outil avant tout réglage ou avant de retirer ou installer toute pièce ou tout accessoire.

Entretien

⚠ AVERTISSEMENT : Expulser tout débris ou poussière des événements à l’aide d’un jet d’air sec au moins une fois par semaine. Pour réduire tout risque de lésions oculaires, porter systématiquement une protection oculaire homologuée ANSI Z87.1 pour effectuer tout entretien.

⚠ AVERTISSEMENT : Ne jamais utiliser de solvants ou tout autre produit chimique décapant pour nettoyer les parties non métalliques de l’outil. Ces produits chimiques pourraient attaquer les matériaux plastiques utilisés. Utilisez un chiffon humidifié avec de l’eau et un savon doux. S’assurer qu’aucun liquide ne pénètre dans l’outil ; ne jamais immerger aucune partie de l’outil dans un liquide.

Balais de moteur

DEWALT utilise un système de balais qui immobilisent automatiquement la perceuse lorsqu’ils sont usés. Cela protège le moteur de tout dommage sérieux. Des modules de balai sont disponibles dans les centres de service agréés DEWALT. Utilisez systématiquement des pièces de rechange d’origine.

Lubrification

Votre outil à été parfaitement lubrifié avant son départ d’usine. Entre deux à six mois, selon la fréquence d’utilisation, amenez ou envoyez votre outil dans un centre de réparation DEWALT, ou chez tout autre organisme de réparation qualifié pour un entretien complet, y compris inspection et lubrification.

Les outils utilisés constamment pour des travaux industriels ou intensifs, ou qui sont exposés à la chaleur peuvent nécessiter d’être lubrifiés plus souvent. Les outils inutilisés pendant des périodes prolongées doivent être relubrifiés avant toute réutilisation.

Réparations

Pour assurer votre SÉCURITÉ et la FIABILITÉ du produit, toute maintenance et tout réglage (y compris l’inspection et le remplacement des balais) doivent être effectués par un centre de réparation en usine DEWALT, un centre de réparation DEWALT agréé ou tout autre personnel de réparation qualifié. Utilisez systématiquement des pièces de rechange d’origine.

Accessoires

⚠ AVERTISSEMENT : Comme les accessoires autres que ceux offerts par DEWALT n’ont pas été testés avec ce produit, leur utilisation avec cet appareil pourrait comporter un danger. Pour réduire tout risque de dommage corporel, seuls des accessoires DEWALT recommandés doivent être utilisés avec cet appareil.

Les accessoires recommandés pour cet outil sont vendus séparément chez votre centre de réparation local.

Si vous avez besoin d'aide pour localiser ces accessoires, veuillez contacter DEWALT Industrial Tool Co., 701 East Joppa Road, Baltimore, MD 21286 ou appeler le 1-800-4-DEWALT (1-800-433-9258).

ATTENTION : Pour réduire tout risque de dommage corporel, utiliser les accessoires suivants seulement dans les limites de capacité illustrées par le tableau ci-dessous.

CAPACITÉS MAXIMALES RECOMMANDÉES

	VITESSE RÉDUITE	VITESSE ÉLEVÉE
RÉGIME (r/min)	330	1300
BOIS, ALÉSAGE PLAT	–	38 mm (1-1/2 po.)
EMPORTE-PIÈCE	152,4 mm (6 po.)	
MÈCHE À SIMPLE SPIRALE	–	38 mm (1-1/2 po.)
MÈCHE À ALIMENTATION AUTOMATIQUE	102 mm (4-5/8 po.)	65 mm (2-9/16 po.)
EMBRAYAGE ACTIONNÉ	OUI	NON
CONTRÔLE DE BLOCAGE (DWD460)	OUI	OUI

REMARQUE : Pour des trous dans le métal supérieurs à 13 mm (1/2 po.), utiliser un emporte-pièce.

Garantie limitée trois ans

DEWALT réparera gratuitement tous les problèmes dus à des défauts de matériau ou de fabrication pendant trois ans à compter de la date d'achat. Cette garantie ne couvre pas des défaillances de pièce dues à une usure normale ou à une mauvaise utilisation de l'outil. Pour plus de détails relatifs à la couverture de la garantie et aux réparations sous garantie, visiter le site Web www.dewalt.com ou composer le 1 (800) 4-DEWALT (1 (800) 433-9258). Cette garantie ne s'applique pas aux accessoires ni aux dommages causés par des réparations réalisées ou tentées par des tiers. Cette garantie vous accorde des droits légaux spécifiques et il est possible que vous ayez d'autres droits qui varient d'un État ou d'une province à l'autre.

En plus de la garantie, les outils DEWALT sont couverts par notre :

SERVICE D'ENTRETIEN GRATUIT DE 1 AN

DEWALT entretiendra l'outil et remplacera les pièces usées par une utilisation normale et ce, gratuitement, à tout instant pendant la première année à compter de la date d'achat.

GARANTIE DE REMBOURSEMENT DE 90 JOURS

Si vous n'êtes pas entièrement satisfait des performances de votre outil électrique, laser ou de votre cloueuse DEWALT pour quelque raison que ce soit, vous pouvez le retourner accompagné d'un reçu dans les 90 jours suivant la date d'achat et nous vous rembourserons entièrement – sans poser de questions.

AMÉRIQUE LATINE : cette garantie ne s'applique pas aux produits vendus en Amérique latine. Pour ceux-ci, veuillez consulter les informations relatives à la garantie spécifique présente dans l'emballage, appeler l'entreprise locale ou consulter le site Web pour les informations relatives à cette garantie.

REPLACEMENT GRATUIT DES ÉTIQUETTES D'AVERTISSEMENT : si les étiquettes d'avertissement deviennent illisibles ou sont manquantes, composer le 1 (800) 4-DEWALT pour en obtenir le remplacement gratuit.



f) **Si no es posible evitar el uso de una herramienta eléctrica en un sitio húmedo, utilice una alimentación eléctrica protegida con un interruptor de circuito de falla sin conexión a tierra (GFCI).** El uso de un GFCI reduce el riesgo de descarga eléctrica.

3) SEGURIDAD PERSONAL

- Manténgase alerta, fíjese en lo que está haciendo y utilice su sentido común cuando opere una máquina herramienta. No utilice una máquina herramienta si está cansado o bajo la influencia de drogas, alcohol o medicamentos.** Sólo hace falta un momento de distracción durante la operación de máquinas herramienta para causar lesiones corporales serias.
- Use equipo de protección personal. Utilice siempre protección ocular.** Equipo de protección personal tales como máscara antipolvo, calzado de seguridad anti-derrapante, cascos o protección auditiva, usados para las condiciones apropiadas, reducirá la posibilidad de sufrir lesiones corporales.
- Prevenga puestas en marcha accidentales. Verifique que el interruptor esté apagado antes de enchufar la máquina herramienta y/o batería, al recoger o transportar la herramienta.** El sujetar una máquina herramienta con el dedo en el conmutador o enchufar máquinas herramienta con el conmutador encendido se presta para que ocurran accidentes.
- Retire toda llave de ajuste antes de encender la máquina herramienta.** Si se deja alguna llave en una pieza giratoria de la máquina herramienta, podría provocar lesiones.
- No se sobreexienda. Manténgase siempre bien apoyado y equilibrado.** Esto permite tener un mayor control de la máquina herramienta en situaciones inesperadas.
- Vístase debidamente. No se ponga ropa suelta o joyas. Mantenga su pelo, ropa y guantes alejados de piezas móviles.** La ropa suelta, las joyas y el pelo largo pueden quedar atrapados en las piezas móviles.
- Si la máquina herramienta viene con algún dispositivo de conexión para la extracción y colección de polvo, asegúrese que este sea debidamente conectado y utilizado.** El uso de dispositivos de recolección de polvo, puede reducir riesgos asociados al polvo.

4) USO Y CUIDADO DE LA MÁQUINA HERRAMIENTA

- No fuerce la máquina herramienta. Use la máquina herramienta correcta para su aplicación.** La máquina herramienta apropiada hará un trabajo mejor y más seguro si se usa de la forma para la cual fue diseñada.
- No use la máquina herramienta si el conmutador no puede encenderla y apagarla.** Cualquier máquina herramienta que no pueda ser controlada con el conmutador es peligrosa y debe ser reparada.
- Desenchufe la máquina herramienta de la toma de corriente y/o de la unidad de alimentación antes de ajustarla, cambiar de accesorio o guardarla.** Estas medidas de seguridad preventiva reducen el riesgo de poner en marcha la máquina herramienta accidentalmente.
- Guarde su máquina herramienta fuera del alcance de niños cuando no la esté usando y no permita que personas que no estén familiarizadas con la máquina herramienta o estas instrucciones la usen.** Las máquinas herramienta son peligrosas en manos de personas no capacitadas.
- Mantenga su máquina herramienta. Revise la máquina herramienta para verificar que no esté mal alineada, que sus piezas móviles no estén trabadas o rotas y que no exista otra condición que pudiera afectar su operación. Si está dañada, haga reparar la máquina herramienta antes de utilizarla.** Muchos accidentes son causados por usar máquinas herramienta que no han sido bien mantenidas.
- Mantenga sus herramientas de cortes afiladas y limpias.** Las herramientas de corte debidamente mantenidas y afiladas tienen menos probabilidades de trabarse y son más fáciles de controlar.
- Use la máquina herramienta, sus accesorios, etc., en cumplimiento con estas instrucciones tomando en cuenta las condiciones de trabajo y el trabajo a realizar.** El uso de una máquina herramienta para operaciones fuera de aquellas para las que fue diseñada podría resultar en una situación peligrosa.

5) SERVICIO

- Haga reparar su máquina herramienta por un técnico de reparación calificado, utilizando sólo repuestos originales.** Esto garantizará la seguridad de la máquina herramienta.

Instrucciones Específicas de Seguridad Adicionales

- Use protección auditiva cuando utilice taladros de impacto.** La exposición al ruido puede causar pérdida de la audición.
- Use sujetadores adicionales suministrados con la herramienta.** La pérdida del control puede causar lesiones personales.
- Sostenga la herramienta por sus superficies de empuñadura aisladas cuando realice una operación en la cual la herramienta para cortar pudiera entrar en contacto con instalaciones eléctricas ocultas o con su propio cable.** El contacto con un cable cargado, cargará a su vez las partes metálicas expuestas de la herramienta y dará un golpe de corriente al operador.
- Use abrazaderas u otra manera práctica de fijar y sujetar la pieza de trabajo a una plataforma estable.** No sujete su trabajo en forma manual o contra su cuerpo pues no quedará estable y podría perder el control.
- Use lentes de seguridad u otra protección ocular.** Las operaciones de martilleo y taladro producen astillas en vuelo. Las partículas en vuelo pueden provocar daño permanente a los ojos.
- Mantenga las empuñaduras secas, limpias, libres de aceite y grasa.** Esto permitirá un mejor control de la herramienta.
- Los orificios de ventilación suelen cubrir piezas en movimiento, por lo que también se deben evitar.** La ropa suelta, las joyas y el pelo largo pueden quedar atrapados en las piezas móviles.
- Los hilos del alargador deben ser de un calibre apropiado (AWG o calibre americano de hilos) para su seguridad.** Mientras menor sea el calibre del hilo, mayor la capacidad del cable. Es decir, un hilo calibre 16 tiene mayor capacidad que uno de 18. Un cable de un calibre insuficiente causará una caída en la tensión de la línea dando por resultado una pérdida de energía y sobrecalentamiento. Cuando se utilice más de un alargador para completar el largo total, asegúrese que los hilos de cada alargador tengan el calibre mínimo. La tabla siguiente muestra el tamaño correcto a utilizar, dependiendo de la longitud del cable y del amperaje nominal de la placa de identificación. Si tiene dudas sobre cuál calibre usar, use un calibre mayor. Cuanto más pequeño es el número del calibre, más resistente será el cable.

Calibre mínimo para juegos de cables						
Amperaje Nominal		Volts	Largo total del cable en metros (pies)			
		120V	7,6 (25)	15,2 (50)	30,5 (100)	45,7 (150)
		240V	15,2 (50)	30,5 (100)	61,0 (200)	91,4 (300)
Más de	No más de	AWG (calibre americano de hilos)				
0	6	18	16	16	14	
6	10	18	16	14	12	
10	12	16	16	14	12	
12	16	14	12	No Recomendado		

ADVERTENCIA: SIEMPRE use lentes de seguridad. Los anteojos de uso diario NO son lentes de seguridad. Utilice además una máscara para la cara o guardapolvo si la operación de corte genera demasiado polvo. SIEMPRE USE EQUIPO DE SEGURIDAD CERTIFICADO:

- ANSI Z87.1 protección ocular (CAN/CSA Z94.3),
- ANSI S12.6 (S3.19) protección auditiva,
- Protección respiratoria NIOSH/OSHA/MSHA.

ADVERTENCIA: Algunos tipos de polvo, como aquellos generados por el lijado, serruchado, pulido y taladrado mecánico y otras actividades de construcción, contienen químicos que se sabe causan cáncer, defectos de nacimiento y otros daños reproductivos. Algunos ejemplos de estos químicos son:

- Plomo procedente de pinturas con base de plomo,
- Óxido de silicio procedente de ladrillos, cemento y otros productos de mampostería, y
- Arsénico y cromo provenientes de maderas tratadas con químicos (arseniato de cobre cromado).

El peligro derivado de la exposición a estos materiales varía en función de la frecuencia con que se realice este tipo de trabajo. Para reducir su exposición a estos químicos: trabaje en una zona bien ventilada y llevando equipos de seguridad aprobados, como mascarillas antipolvo especialmente diseñadas para filtrar partículas microscópicas.

- Evite el contacto prolongado con polvo generado por el lijado, serruchado, pulido y taladrado mecánico y otras actividades de construcción. Vista ropas protectoras y lave las áreas de la piel expuestas con agua y jabón.** Si permite que el polvo se introduzca en su boca o sus ojos, o que quede sobre la piel, puede favorecer la absorción de químicos peligrosos.

Definiciones: Normas de seguridad

Las siguientes definiciones describen el nivel de gravedad de cada palabra de señal. Lea el manual y preste atención a estos símbolos.

PELIGRO: indica una situación de peligro inminente que, si no se evita, provocará la muerte o lesiones graves.

ADVERTENCIA: indica una situación de peligro potencial que, si no se evita, podría provocar la muerte o lesiones graves.

ATENCIÓN: indica una situación de peligro potencial que, si no se evita, posiblemente provocaría lesiones leves o moderadas.

ATENCIÓN: cuando se utiliza sin el símbolo de alerta de seguridad indica una situación de peligro potencial que, si no se evita, puede provocar daños en la propiedad.

SI TIENE ALGUNA PREGUNTA O ALGÚN COMENTARIO QUE HACER CON RESPECTO A ESTA O CUALQUIER OTRA HERRAMIENTA DEWALT, LLÁMENOS SIN CARGO AL: 1-800-4-DEWALT (1-800-433-9258).

ADVERTENCIA: Para reducir el riesgo de lesión, lea el manual de instrucciones.

Advertencias Generales de Seguridad para Herramientas Eléctricas

ADVERTENCIA! Lea todas las advertencias e instrucciones de seguridad. El ignorar las advertencias e instrucciones puede provocar una descarga eléctrica, incendio y/o lesión grave.

CONSERVE TODAS LAS ADVERTENCIAS E INSTRUCCIONES PARA CONSULTAS FUTURAS

"El uso del término "máquina herramienta" en las advertencia, se refiere a su máquina herramienta ya sea operada por la red de suministro (con cable de alimentación) o a batería (inalámbrica).

1) SEGURIDAD EN EL ÁREA DE TRABAJO

- Mantenga su área de trabajo limpia y bien iluminada.** Los accidentes abundan en las áreas de trabajo desordenadas u oscuras.
- No opere máquinas herramienta en ambientes explosivos, tales como en presencia de líquidos, gases o polvos inflamables.** Las herramientas eléctricas producen chispas que pueden inflamar el polvo o los gases.
- No use máquinas herramienta en presencia de niños u otras personas circunstantes.** Las distracciones pueden hacerle perder el control.

2) SEGURIDAD ELÉCTRICA

- Los enchufes de las máquinas herramienta deben poder acoplarse a la toma de corriente. Jamás modifique el enchufe de ninguna manera. No emplee adaptadores de enchufe con máquinas herramienta conectadas a tierra.** Los enchufes no modificados y las tomas de corriente que correspondan al enchufe reducirán el riesgo de descarga eléctrica.
- Evite el contacto corporal con superficies conectadas a tierra, tales como tuberías, radiadores, cocinas y refrigeradores.** Existe un mayor riesgo de descarga eléctrica cuando su cuerpo está conectado a tierra.
- No exponga máquinas herramienta a condiciones lluviosas o húmedas.** Si entra agua a la máquina herramienta, aumentará el riesgo de descarga eléctrica.
- No abuse del cable. Jamás transporte, arrastre o desenchufe la máquina herramienta por el cable. Mantenga el cable alejado de fuentes de calor, aceite, bordes afilados o piezas en movimiento.** Los cables dañados o enredados aumentan el riesgo de descarga eléctrica.
- Cuando opere una herramienta eléctrica afuera, use un alargador de exterior.** El uso de un alargador de exterior reduce el riesgo de descarga eléctrica.

⚠ ADVERTENCIA: La utilización de esta herramienta puede generar polvo o dispersarlo, lo que podría causar lesiones graves y permanentes al sistema respiratorio, así como otras problemas. Siempre use protección respiratoria aprobada por NIOSH (Instituto Nacional de Seguridad y Salud en el Trabajo) u OSHA (Administración de Seguridad y Salud en el Trabajo) apropiada para la exposición al polvo. Dirija las partículas en dirección contraria a la cara y el cuerpo.

⚠ ADVERTENCIA: *Siempre utilice protección auditiva apropiada mientras utilice la herramienta, en conformidad con ANSI S12.6 (S3.19). En determinadas condiciones y con utilizaciones prolongadas, el ruido generado por este producto puede favorecer la pérdida de audición.*

- La etiqueta de su herramienta puede incluir los siguientes símbolos. Los símbolos y sus definiciones son los siguientes:

V.....voltios	A.....amperios
Hz.....hertzios	W.....vatios
minminutos	~corriente alterna
⎓corriente directa	⎓corriente alterna o directa
ⓂConstrucción Clase I (con conexión a tierra)	noVelocidad sin carga
Ⓜ Construcción Clase II (doblemente aislado)	ⓂTerminal con conexión a tierra
.../minpor minuto	IPM.....Impactos por minuto
	RPMrevoluciones por minuto

GUARDE ESTAS INSTRUCCIONES PARA FUTURAS CONSULTAS

COMPONENTES (Fig. 1)

⚠ ADVERTENCIA: *Jamás modifique la máquina herramienta o ninguna parte de la misma. Esto puede originar daño o lesión personal.*

- A. Mango lateral
- B. Palanca de selección de velocidad
- C. Botón de avance y reversa
- D. Conmutador tipo gatillo
- E. Tornillo del mango lateral
- F. Portabrocas con llave de 13 mm (1/2 pulg.)
- G. Indicador de control de sujeción (DWD460)
- H. Protector de nudillos (DWD460)
- I. Mango lateral (dos posiciones)

APLICACIÓN

Los pernos de trabajo pesado DWD450 y DWD460 y los taladros para vigas están diseñados para perforación profesional en varios sitios (p.ej., obras civiles). **NO USAR** en condiciones de humedad o en presencia de líquidos o gases inflamables.

Estos pernos de trabajo pesado y taladro para vigas son herramientas eléctricas profesionales. **NO PERMITA** que los niños entren en contacto con la herramienta. Se requiere de supervisión cuando operadoras no experimentados usen esta herramienta.

Motor

Asegúrese de que su alimentación eléctrica sea la requerida en la placa nominal. Caídas de voltaje de más de 10% causarán una pérdida de potencia y sobrecalentamiento. Las herramientas DEWALT son probadas en fábrica; si esta herramienta no funciona, revise la alimentación eléctrica.

Torsor

⚠ ADVERTENCIA: *Este es una taladro de alto par torsor. Para reducir el riesgo de lesión personal grave, SIEMPRE sujete la herramienta firmemente con ambas manos en posición apropiada de operación tal y como se muestra.*

El torsor es la acción de torcedura que produce el taladro en relación a la broca rotativa. Mientras que el taladro consigue resistencia al avance en el material que está siendo perforado, el motor responde ajustando el torsor de salida para suministrar la potencia requerida hasta el máximo de capacidad del motor y el sistema de engranajes.

SUJETANDO LA HERRAMIENTA (FIG. 2, 10)

⚠ ADVERTENCIA: *Para reducir el riesgo de lesión grave, SIEMPRE use una posición apropiada de sus manos, tal y como se muestra en la Figura 2.*

⚠ ADVERTENCIA:*Para reducir el riesgo de lesión personal grave, SIEMPRE sujete o agarre la herramienta de manera segura con anticipación a una reacción repentina.*

Con sus manos en la posición apropiada, sujete la herramienta como se muestra en la Figura 10.

EMBRAGUE DESLIZABLE

El DWD450 y DWD460 están equipados cada uno con un embrague deslizable. El embrague esta activo cuando la velocidad baja (1) es seleccionada. Cuando la broca o cortador entra en contacto con la pieza de trabajo, el embrague deslizará y se escuchará un sonido de trinquete. Libere el gatillo. Una activación continua del embrague, reducirá la vida de esta función.

CONTROL DE SUJECIÓN (DWD460)

El DWD460 está equipado con un control de sujeción. Esta función percibe el movimiento de la herramienta y reduce el torsor del motor hasta un nivel manejable de ser necesario. El indicador de control de sujeción (G) se iluminara para indicar su condición.

INDICADOR	DIAGNOSTICO	SOLUCIÓN
APAGADO (OFF)	La herramienta funciona con normalidad	Siga todas las advertencias e instrucciones cuando esté operando la herramienta
FIJO	El control de sujeción se ha activado	Habiendo apoyado apropiadamente la herramienta, libere el gatillo la herramienta funcionara normalmente cuando el obturador sea liberado nuevamente y la luz indicadora se apagará
INTERMITENTE	El control de sujeción está fallando	Lleva la herramienta a un agente de reparación autorizado de DEWALT

NOTA: Si la potencia de la herramienta es insuficiente para una perforación normal y el LED no titila, lleve la herramienta a un centro autorizado de reparaciones DEWALT.

Mango lateral (Fig. 1, 3)

Un mango lateral es suministrado para transportar la herramienta y para ser usado como un mango adicional. Ensamble el mango lateral en una de las posiciones mostradas en la Figura 3. Cuando cambie la ubicación del mango lateral, de una posición hacia otra, remueva completamente los dos tornillos (E) que sujetan el mango lateral. Gire hacia el lado contrario el mango y reinstálelo.

Mango lateral (Fig. 4)

⚠ ADVERTENCIA:*Para reducir el riesgo de lesión persona, siempre use la herramienta con el mango lateral instalado apropiadamente y apretado. El incumplimiento con lo anterior puede resultar en que el mango lateral se deslice durante la operación de la herramienta y la consecuente pérdida de control. Sujete la herramienta con ambas manos para maximizar el control.*

El mango lateral de dos posiciones (I) puede ensamblarse en cualquiera de los lados de la herramienta. Atornille el mango lateral (I) en el tornillo del mango (E) o directamente dentro de los agujeros roscado (J) en el lado deseado. Apriete firmemente a mano.

Palanca de Selección de Velocidad (Fig. 1)

ATENCIÓN: *Riesgo de daño a la herramienta. No gire la palanca de selección de velocidad, mientras el taladro este en funcionamiento o girando por inercia, puede que ocurra daño a la herramienta.*

Gire la palanca de selección de velocidad (B) hasta la velocidad deseada:

- 1 = Velocidad baja (330 RPM)
- 2 = Velocidad alta (1300 RPM)

NOTA: La primera vez que la herramienta funcione luego de cambiar la velocidad, usted puede escuchar un cliqueo en el encendido. Esto es normal y no indica problema alguno.

Conmutador tipo gatillo

Al presionar el gatillo (D) la herramienta se enciende, al liberar el gatillo, la herramienta se apaga.

VELOCIDAD VARIABLE

Un gatillo de velocidad variable, permite el control de la velocidad – mientras más profundo se presione el interruptor, mayor será la velocidad del taladro.

NOTA: Use velocidades bajar para iniciar la perforación sin un agujero guía central, al perforar metal, plástico o cerámica. Las velocidades más altas son mejores para perforar madera y tablas de compuesto.

Botón de avance/reverso (Fig. 1)

Un botón de avance/reverso (C) determine la dirección de la herramienta. Está ubicado al frente del gatillo.

Para seleccionar una rotación hacia adelante, libere el gatillo (D) y presiones el botón de avance/reverso en el lado derecho de la herramienta.

Para seleccionar reverso, presiones el botón de avance/reverso en el lado izquierdo de la herramienta. Cuando cambie la posición del botón, asegúrese de soltar el gatillo.

NOTA: La primera vez que la herramienta funcione luego de cambiar la dirección de rotación, usted puede escuchar un cliqueo en el encendido. Esto es normal y no indica problema alguno.

OPERACIÓN

⚠ ADVERTENCIA: *Para reducir el riesgo de lesión personal seria, apague la herramienta y desconéctela de la alimentación eléctrica antes de hacer algún ajuste o remover/instalar anexos o accesorios.*

La broca gira en sentido horario cuando la herramienta está en la posición de avance y en sentido anti horario cuando está en la posición de reverso. Si la broca se atasca, la herramienta reducirá la velocidad hasta un nivel manejable. Usando una posición de las manos apropiada, sujete el mango lateral (I) o el cuerpo de la herramienta contra una viga para mejor soporte.

Taladrado

⚠ ADVERTENCIA: *Para reducir el riesgo de lesión personal, SIEMPRE asegúrese que la pieza de trabajo este firmemente anclada o sujeta. Si esta taladrando material delgado, use un taco de madera de soporte para prevenir daños al material.*

- Sólo use brocas afiladas. Para MADERA, use brocas de torsión, broca de paleta, brocas largas o sierras de copa. Para METAL, use brocas de acero o sierras de copa.
- Siempre aplique presión en línea recta con la broca. Use suficiente presión como para que la pieza siga calando pero no demasiada para prevenir que el motor se atasque o hacer desviar la pieza.
- Sujete la herramienta con ambas manos para controlar la acción de torsión del taladro.
- SI EL TALADRO SE DETIENE**, usualmente es debido a que ha sido sobrecargado o usado inapropiadamente. **LIBERE INMEDIATAMENTE EL GATILLO**, remueva el taladro del sitio de trabajo y determine la causa del bloqueo. **NO ENCIENDA Y APAGUE EL GATILLO UNA Y OTRA VEZ EN EL INTENTO DE ENCENDER EL TALADRO BLOQUEADO.**
- Para minimizar el bloqueo o traspasar el material, reduzca la presión sobre el taladro y lleve suavemente la broca hasta la última parte del agujero.
- Mantenga el motor en funcionamiento cuando retire la broca del agujero de perforación. Este ayudará a prevenir un atasco.
- Con brocas de velocidad variable no hay necesidad de contar con un agujero guía central para iniciar la perforación. Use una velocidad lenta para iniciar el agujero y acelere apretando el gatillo con más firmeza cuando el agujero este lo suficientemente profundo para taladrar sin que la broca salte hacia afuera.

TALADRADO EN METAL

Comience a taladrar con una velocidad lenta e incremente la velocidad hasta potencia completa, mientras aplica presión firme sobre la herramienta. Un flujo uniforme y suave de virutas de metal indica una velocidad apropiada de taladrado. Use un lubricante de corte cuando este taladrando metales. Las excepciones son el hierro fundido y el latón, los cuales deben ser taladrados en seco.

NOTA: Pueden hacerse agujeros largos [8 mm (5/16 pulg.) a 13 mm (1/2 pulg.)] en acero con mayor facilidad si primero se taladra un agujero guía [4 mm (5/32 pulg.) a 5 mm (3/16 pulg.)].

TALADRADO EN MADERA

Comience a taladrar con una velocidad lenta e incremente la velocidad hasta potencia completa, mientras aplica presión firme sobre la herramienta. Los orificios en madera pueden hacerse con las mismas brocas de espiral usadas para perforar metal. Estas brocas pueden sobrecalentarse a menos que se extraigan frecuentemente para limpiarlas de astillas. El trabajo que sea susceptible de producir astillas debe ser soportado con un bloque de madera.

Sujetador de la Llave del Portabrocas (Fig. 5, 6, 7)

- Empuje el extremo de doble agujero del sujetador a través de la ranura en el otro extremo del sujetador (Fig. 5).
- Haga un lazo sobre la conexión eléctrica y ajuste el lazo alrededor del cable (Fig. 6).
- Presione los extremos del sujetador de llave de portabrocas (extremo largo primero) a través de los dos orificios del sujetador (Fig. 7).

Portabrocas con Llave

Abra las pinzas del portabrocas girando el collar manualmente e inserte el vástago de la broca hasta aproximadamente 19 mm (3/4 pulg.) en el interior del portabrocas. Apriete el collar del portabrocas manualmente. Coloque la llave del portabrocas en cada uno de los tres agujeros y apriete en dirección horaria. Es importante apretar el portabrocas con los tres agujeros. Para liberar la broca, gire el portabrocas en sentido anti horario en un solo agujero, luego afloje el portabrocas manualmente.

NOTA: Cuando use vástagos hexagonales o vástagos de brocas de tres caras, asegúrese de alinear las caras planas de la broca con las pinzas del portabrocas, para asegurar un acople apropiado por parte de las pinzas.

REMOCIÓN DE PORTABROCAS CON LLAVE (FIG. 8)

Remueva el tornillo zurdo del embrague, usando una llave torx T25, rotando en sentido horario para aflojar. Apriete el portabrocas alrededor del extremo más corto de la llave hexadecimal (no incluida) de 10 mm (3/8 pulg.) de tamaño. Con la herramienta sujeta con firmeza, use un martillo suave y golpee la llave hexadecimal en dirección anti horario viendo la herramienta de manera frontal. Esto aflojara el portabrocas, de tal forma que este pueda ser removido.

INSTALACIÓN DEL PORTABROCAS CON LLAVE (FIG. 9)

Atornille manualmente el portabrocas en el taladro hasta donde este lo permita. Inserte el extremo corto de la llave hexadecimal (no incluida) de 10 mm (3/8 pulg.) de tamaño y golpéela en sentido horario con un martillo suave. Reinstale el tornillo del embrague zurdo.

MANTENIMIENTO

⚠ ADVERTENCIA:*Para reducir el riesgo de lesión personal seria, apague la herramienta y desconéctela de la alimentación eléctrica antes de hacer algún ajuste o remover/instalar anexos o accesorios.*

Limpieza

⚠ ADVERTENCIA: *Limpie la suciedad y el polvo de las rejillas de ventilación con aire seco al menos una vez por semana. Para reducir el riesgo de lesiones a los ojos, use siempre protección ocular aprobada según ANSI Z87.1.*

⚠ ADVERTENCIA:*Nunca utilice solventes u otros químicos fuertes cuando limpie las piezas no metálicas de la herramienta. Estos químicos pueden debilitar los materiales plásticos utilizados en estas partes. Use un paño humedecido con agua y jabón suave. Nunca permita que le entre ningún tipo de líquido a la herramienta; jamás sumerja ninguna parte de la herramienta a un líquido.*

Escobillas del Motor

DEWALT usa un sistema avanzado de escobillas que automáticamente detiene el taladro cuando las escobillas están desgastadas. Esto evita daños graves al motor. En los centros autorizados de servicio DEWALT se encuentran disponibles juegos de escobillas nuevos. Siempre use repuestos idénticos.

Lubricación

Su herramienta fue lubricada apropiadamente antes de salir de la fábrica. Dentro de dos a seis meses, dependiendo del uso, lleve o envíe su herramienta al Centro de Servicio DEWALT o a otra organización calificada de servicio para limpieza, inspección y relubricación completa.

Las herramientas usadas constantemente o en trabajos pesados o expuestas al calor, pueden requerir de lubricación más frecuentemente. Las herramientas “fuera de servicio” por largos periodos, deben ser relubricadas antes de ser puestas de vuelta en servicio.

Reparaciones

Para asegurar la SEGURIDAD y CONFIABILIDAD del producto, las reparaciones, el mantenimiento y los ajustes (incluyendo la inspección y cambio de escobillas) deberán ser realizados por centros de servicio de la fábrica DEWALT, un centro autorizado de servicio DEWALT u otro personal de servicio calificado. Siempre use repuestos idénticos.

Accesorios

⚠ ADVERTENCIA: *Ya que otros accesorios, fuera de los ofrecidos por DEWALT, no han sido probados con este producto, el uso de tales accesorios con esta herramienta podría ser peligroso. Para reducir el riesgo de lesiones, sólo deberían usarse los accesorios recomendados por con este producto.*

Los accesorios recomendados para su herramienta están disponibles por un cargo adicional en su distribuidor local o en el centro de servicio autorizado.

Si usted necesita ayuda para localizar cualquier accesorio, por favor contacte a DEWALT Industrial Tool Co., 701 East Joppa Road, Baltimore, MD 21286 o llame al 1-800-4-DEWALT (1-800-433-9258).

⚠ ATENCIÓN: *Para reducir el riesgo de lesiones, sólo deberían usarse los accesorios siguientes y en los tamaños máximos mostrados en la tabla más abajo.*

CAPACIDADES MÁXIMAS RECOMENDADAS

	VELOCIDAD BAJA	VELOCIDAD ALTA
R.P.M.	330	1300
MADERA, TALADRADO PLANO	–	38 mm (1-1/2 pulg.)
SIERRAS DE COPA	152.4 mm (6 pulg.)	
BROCA LARGA	–	38 mm (1-1/2 pulg.)
BROCAS DENTADAS	102 mm (4-5/8 pulg.)	65 mm (2-9/16 pulg.)
EMBRAGUE	SI	NO
CONTROL DE SUJECIÓN (DWD460)	SI	SI

NOTA: Para agujeros en metal mayores a 13 mm (1/2 pulg.) usar sierras de copa.

Póliza de Garantía

IDENTIFICACIÓN DEL PRODUCTO:

Sello o firma del Distribuidor.

Nombre del producto: _____ Mod./Cat.: _____

Marca: _____ Núm. de serie: _____

(Datos para ser llenados por el distribuidor)

Fecha de compra y/o entrega del producto: _____

Nombre y domicilio del distribuidor donde se adquirió el producto: _____

Este producto está garantizado por un año a partir de la fecha de entrega, contra cualquier defecto en su funcionamiento, así como en materiales y mano de obra empleados para su fabricación. Nuestra garantía incluye la reparación o reposición del producto y/o componentes sin cargo alguno para el cliente, incluyendo mano de obra, así como los gastos de transportación razonablemente erogados derivados del cumplimiento de este certificado.

Para hacer efectiva esta garantía deberá presentar su herramienta y esta póliza sellada por el establecimiento comercial donde se adquirió el producto, de no contar con ésta, bastará la factura de compra.

EXCEPCIONES.

Esta garantía no será válida en los siguientes casos:

- Cuando el producto se hubiese utilizado en condiciones distintas a las normales;
- Cuando el producto no hubiese sido operado de acuerdo con el instructivo de uso que se acompaña;
- Cuando el producto hubiese sido alterado o reparado por personas distintas a las enlistadas al final de este certificado.

Anexo encontrará una relación de sucursales de servicio de fábrica, centros de servicio autorizados y franquiciados en la República Mexicana, donde podrá hacer efectiva su garantía y adquirir partes, refacciones y accesorios originales.

Garantía limitada por tres años

DEWALT reparará, sin cargo, cualquier falla que surja de defectos en el material o la fabricación del producto, por hasta tres años a contar de la fecha de compra. Esta garantía no cubre fallas de las piezas causadas por su desgaste normal o abuso a la herramienta. Para mayores detalles sobre la cobertura de la garantía e información acerca de reparaciones realizadas bajo garantía, visítenos en www.dewalt.com o diríjase al centro de servicio más cercano. Esta garantía no aplica a accesorios o a daños causados por reparaciones realizadas o intentadas por terceros. Esta garantía le otorga derechos legales específicos, además de los cuales puede tener otros dependiendo del estado o la provincia en que se encuentre.

Además de la garantía, las herramientas DEWALT están cubiertas por:

1 AÑO DE SERVICIO GRATUITO

DEWALT mantendrá la herramienta y reemplazará las piezas gastadas por su uso normal, sin cobro, en cualquier momento durante un año a contar de la fecha de compra. Los artículos gastados por la clavadora, tales como la unidad de hoja y retorno del impulsador, no están cubiertas.

GARANTÍA DE REEMBOLSO DE SU DINERO POR 90 DÍAS

Si no está completamente satisfecho con el desempeño de su máquina herramienta, láser o clavadora DEWALT, cualquiera sea el motivo, podrá devolverlo hasta 90 días de la fecha de compra con su recibo y obtener el reembolso completo de su dinero – sin necesidad de responder a ninguna pregunta.

AMÉRICA LATINA: Esta garantía no se aplica a los productos que se venden en América Latina. Para los productos que se venden en América Latina, debe consultar la información de la garantía específica del país que viene en el empaque, llamar a la compañía local o visitar el sitio Web a fin de obtener esa información.

REEMPLAZO GRATUITO DE LAS ETIQUETAS DE ADVERTENCIAS: Si sus etiquetas de advertencia se vuelven ilegibles o faltan, llame al 1-800-4-DEWALT para que se le reemplacen gratuitamente.



PARA REPARACIÓN Y SERVICIO DE SUS HERRAMIENTAS ELÉCTRICAS, FAVOR DE DIRIGIRSE AL CENTRO DE SERVICIO MÁS CERCANO

CULIACAN, SIN

Bvd.Emiliano Zapata 5400-1 Poniente
Col. San Rafael (667) 717 89 99

GUADALAJARA, JAL

Av. La Paz #1779 - Col. Americana Sector Juárez (33) 3825 6978

MEXICO, D.F.

Eje Central Lázaro Cárdenas No. 18
Local D, Col. Obrera (55) 5588 9377

MERIDA, YUC

Calle 63 #459-A - Col. Centro (999) 928 5038

MONTERREY, N.L.

Av. Francisco I. Madero 831 Poniente - Col. Centro (818) 375 23 13

PUEBLA, PUE

17 Norte #205 - Col. Centro (222) 246 3714

QUERETARO, QRO

Av. San Roque 274 - Col. San Gregorio (442) 2 17 63 14

SAN LUIS POTOSI, SLP

Av. Universidad 1525 - Col. San Luis (444) 814 2383

TORREON, COAH

Bvd. Independencia, 96 Pte. - Col. Centro (871) 716 5265

VERACRUZ, VER

Prolongación Díaz Mirón #4280 - Col. Remes (229) 921 7016

VILLAHERMOSA, TAB

Constitución 516-A - Col. Centro (993) 312 5111

PARA OTRAS LOCALIDADES:

Si se encuentra en México, por favor llame al (55) 5326 7100

Si se encuentra en U.S., por favor llame al

1-800-433-9258 (1-800 4-DEWALT)

ESPECIFICACIONES

DWD450/DWD460

Tensión de alimentación:	120 V AC ~
Consumo de corriente:	11 A
Frecuencia de alimentación:	50–60 Hz
Potencia nominal:	1188 W
Rotación sin carga:	0-330 / 0-1 300 rpm

SOLAMENTE PARA PROPÓSITO DE MÉXICO:
IMPORTADO POR: DEWALT S.A. DE C.V.
BOSQUES DE CIDROS, ACCESO RADIATAS NO.42
3A. SECCIÓN DE BOSQUES DE LAS LOMAS
DELEGACIÓN CUAJIMALPA,
05120, MÉXICO, D.F.
TEL. (52) 555-326-7100
R.F.C.: BDE810626-1W7

Para servicio y ventas consulte
"HERRAMIENTAS ELÉCTRICAS"
en la sección amarilla.

