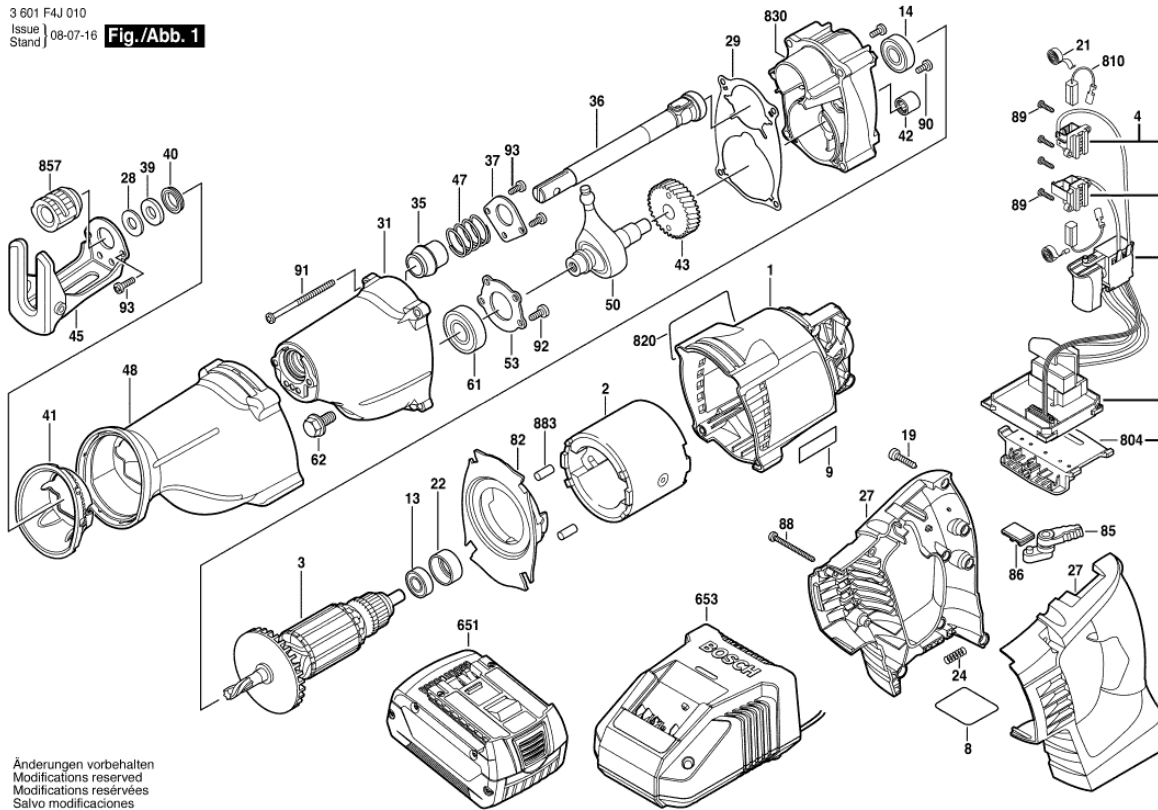


# RECIPROCATING SAW

## 3 601 F4J 010 CRS180

28.08.2008 22:39:52

3 601 F4J 010  
Issue | 08-07-16 **Fig./Abb. 1**



Änderungen vorbehalten  
Modifications reserved  
Modifications réservées  
Salvo modificaciones

Item	Quantity	Order No.	Designation	Price group	Page
1	1	2 610 943 009	MOTOR HOUSING / BLUE		1
2	1	2 610 942 109	FIELD	29	1
3	1	2 610 957 808	ARMATURE		1
4	1	1 607 233 336	ELECTRONIC MODULE		1
8	1	2 610 956 937	TYPE IDENTIFYING MARK	13	1
9	1	2 610 945 890	MANUFACTURER'S NAMEPLATE	13	1
13	1	1 619 P01 511	DEEP-GROOVE BALL BEARING	19	1
14	1	1 900 905 173	DEEP-GROOVE BALL BEARING / 6000-2RS DIN 625	17	1
19	6	2 610 315 386	SCREW	11	1
21	2	2 610 907 388	SPIRAL SPRING	14	1
22	1	1 619 P01 127	RUBBER RING	10	1
24	1	2 604 690 055	COMPRESSION SPRING	10	1
27	1	2 610 956 663	SET OF HANDLES / BLUE		1
28	1	2 610 908 804	PROTECTIVE WASHER	13	1
29	1	2 610 934 995	SEALING PLATE	15	1
31	1	2 610 935 103	FRONT HOUSING	31	1
35	1	2 610 934 999	SINTERED-METAL BUSHING	17	1
36	1	2 610 944 393	SPINDLE ASSEMBLY	36	1
37	1	2 610 935 431	Spring Retaining Plate	12	1
39	1	2 610 030 004	FELT DISC / SP 14,0	12	1
40	1	2 610 995 815	SHAFT SEAL	22	1
41	1	2 610 935 004	PLASTIC COLLAR	13	1
42	1	2 610 908 698	NEEDLE-ROLLER BEARING	20	1
43	1	2 610 942 118	CONVERSION GEAR	30	1
45	1	2 610 935 005	SUPPORTING FOOT	21	1
47	1	2 610 937 437	COMPRESSION SPRING	11	1
48	1	2 610 935 008	INSULATING SLEEVE	34	1
50	1	2 610 938 887	WOBBLE PLATE	40	1

53	1	2 610 935 010	RETAINING PLATE	12	1
61	1	1 900 905 162	DEEP-GROOVE BALL BEARING / DIN 625-6002-2-RS	28	1
62	1	2 610 918 051	FLANGE BOLT	11	1
82	1	2 610 935 014	BAFFLE	19	1
85	1	2 610 942 122	SWITCH SLIDE	12	1
86	1	2 610 956 683	SLIDING PLATE		1
88	2	1 619 P01 446	SCREW	10	1
89	4	1 619 P06 252	TORX OVAL-HEAD SCREW	10	1
90	2	1 603 435 068	THREAD-FORMING TAP. SCREW / DIN 7500, M4x10, SR10.2	11	1
91	4	1 619 P01 932	SCREW / BLACK	10	1
92	4	1 619 P01 447	SCREW	10	1
93	7	1 619 P01 931	SCREW / BLACK	10	1
651	1	2 607 336 093	SLIDE-IN ACCU PACKAGE / 2,6Ah, Li-Ion XL		1
653	1	2 607 225 325	CHARGER / AUS 240/7,2-24V,1h	47	1
810	1	2 610 943 623	CARBON-BRUSH SET	24	1
820	1	2 610 957 809	WARNING LABEL		1
830	1	2 610 945 335	BEARING PLATE	34	1
857	1	2 610 920 684	BLADE HOLDER	34	1
883	2	3 602 391 503	RUBBER-INTER CALATION	11	1