

Combo Roll Groover



⚠ WARNING!

Read this Operator's Manual carefully before using this tool. Failure to understand and follow the contents of this manual may result in electrical shock, fire and/or serious personal injury.

Table of Contents

Safety Symbols	2
General Safety Rules	
Work Area Safety.....	2
Electrical Safety.....	2
Personal Safety.....	3
Tool Use and Care.....	3
Service.....	3
Specific Safety Information	
Roll Groover Safety.....	4
Roll Groover Safety When Used With A Power Drive/Threading Machine.....	4
Roll Groover Safety When Used In Place.....	4
Description, Specifications and Standard Equipment	
Description.....	4
Specifications.....	5
Standard Equipment.....	5
Roll Groover Inspection	5
Machine and Work Area Set-Up For Power Driven Applications	
Mounting The 975 Combo Groover Onto A RIDGID 300 Power Drive.....	7
Mounting The 975 Combo Groover Onto A RIDGID 300 Compact Threading Machine.....	7
Completing Set Up.....	8
Pipe Preparation.....	9
Pipe Set Up In Roll Groover.....	10
Operating The 975 Combo Roll Groover With A Power Drive/Threading Machine	
Setting/Measuring The Groove Diameter.....	10
Forming The Roll Groove.....	11
Setting The Groove Diameter For Copper Tubing.....	12
975 Combo Roll Groover Tracking Tips.....	12
Machine and Work Area Set Up For In Place Applications	
Pipe Preparation.....	14
Mounting The Roll Groover To The Pipe.....	14
Operating The 975 Combo Roll Groover In Place	
Setting/Measuring The Groove Diameter.....	15
Forming The Roll Groove.....	16
Maintenance Instructions	
Lubrication.....	16
Cleaning.....	17
Changing Roll Sets.....	17
Accessories	18
Machine Storage	18
Service and Repair	18
Table I. Standard Roll Groove Specifications	19
Table II. Pipe Maximum and Minimum Wall Thickness	19
Table III. Copper Roll Groove Specifications	20
Troubleshooting	20-21
Lifetime Warranty	Back Cover

975


Combo Roll Groover




RIDGID[®]


Safety Symbols

In this operator's manual and on the product, safety symbols and signal words are used to communicate important safety information. This section is provided to improve understanding of these signal words and symbols.

 This is the safety alert symbol. It is used to alert you to potential personal injury hazards. Obey all safety messages that follow this symbol to avoid possible injury or death.

 **DANGER** DANGER indicates a hazardous situation which, if not avoided, will result in death or serious injury.

 **WARNING** WARNING indicates a hazardous situation which, if not avoided, could result in death or serious injury.

 **CAUTION** CAUTION indicates a hazardous situation which, if not avoided, could result in minor or moderate injury.

NOTICE NOTICE indicates information that relates to the protection of property.



This symbol means read the operator's manual carefully before using the equipment. The operator's manual contains important information on the safe and proper operation of the equipment.



This symbol means always wear safety glasses with side shields or goggles when handling or using this equipment to reduce the risk of eye injury.



This symbol indicates the risk of fingers and hands being crushed between the groove rolls.



This symbol indicates the risk of hands, fingers, legs, clothes and other objects catching and/or wrapping on rotating shafts causing crushing or striking injuries.



This symbol indicates that a drill, impact tool, or other power tool should not be used to drive this device when used in place.



This symbol indicates the risk of machine tipping, causing striking or crushing injuries.



This symbol means always use a foot switch when using a threading machine/power drive.



This symbol means wear a hard hat when working overhead to reduce the risk of head injury.

General Safety Rules

WARNING

Read and understand all instructions. Failure to follow all instructions listed below may result in electric shock, fire, and/or serious personal injury.

SAVE THESE INSTRUCTIONS!

The term "power tool" in the warnings refers to your mains-operated (corded) power tool or battery-operated (cordless) power tool.

Work Area Safety

- **Keep your work area clean and well lit.** Cluttered or dark areas invite accidents.
- **Do not operate power tools in explosive atmospheres, such as in the presence of flammable liquids, gases, or dust.** Power tools create sparks which may ignite the dust or fumes.
- **Keep children and by-standers away while operating a power tool.** Distractions can cause you to lose control.

- **Keep floors dry and free of slippery materials such as oil.** Slippery floors invite accidents.
- **Guard or barricade the area when work piece extends beyond machine.** A guard or barricade that provides a minimum of three (3) feet clearance around the work piece will reduce the risk of entanglement.

Electrical Safety

- **Power tool plugs must match the outlet. Never modify the plug in any way. Do not use any adapter plugs with earthed (grounded) power tools.** Unmodified plugs and matching outlets will reduce risk of electric shock.
- **Avoid body contact with earthed or grounded surfaces such as pipes, radiators, ranges and refrigerators.** There is an increased risk of electrical shock if your body is earthed or grounded.
- **Do not expose power tools to rain or wet conditions.** Water entering a power tool will increase the risk of electrical shock.

- **Do not abuse the cord. Never use the cord for carrying, pulling or unplugging the power tool. Keep cord away from heat, oil, sharp edges or moving parts.** Damaged or entangled cords increase the risk of electric shock.
- **When operating a power tool outdoors, use an extension cord suitable for outdoor use.** Use of a cord suitable for outdoor use reduces the risk of electric shock.
- **If operating a power tool in a damp location is unavoidable, use a ground fault circuit interrupter (GFCI) protected supply.** Use of an GFCI reduces the risk of electric shock.

Personal Safety

- **Stay alert, watch what you are doing and use common sense when operating a power tool. Do not use a power tool while you are tired or under the influence of drugs, alcohol, or medication.** A moment of inattention while operating power tools may result in serious personal injury.
- **Use personal protective equipment. Always wear eye protection.** Protective equipment such as dust mask, non-skid safety shoes, hard hat, or hearing protection used for appropriate conditions will reduce personal injuries.
- **Prevent unintentional starting. Ensure the switch is in the off-position before connecting to power source and/or battery pack, picking up or carrying the tool.** Carrying power tools with your finger on the switch or energizing power tools that have the switch on invites accidents.
- **Remove any adjusting key or wrench before turning the power tool on.** A wrench or a key left attached to a rotating part of the power tool may result in personal injury.
- **Do not overreach. Keep proper footing and balance at all times.** This enables better control of the power tool in unexpected situations.
- **Dress properly. Do not wear loose clothing or jewelry. Keep your hair, clothing, and gloves away from moving parts.** Loose clothes, jewelry, or long hair can be caught in moving parts.
- **If devices are provided for the connection of dust extraction and collection facilities, ensure these are connected and properly used.** Use of dust collection can reduce dust-related hazards.

Tool Use and Care

- **Do not force tool. Use the correct tool for your application.** The correct tool will do the job better and safer at the rate for which it is designed.
- **Do not use tool if the switch does not turn it ON and OFF.** Any tool that cannot be controlled with the switch is dangerous and must be repaired.
- **Disconnect the plug from the power source and/or the battery pack from the tool before making any adjustments, changing accessories, or storing tools.** Such preventive safety measures reduce the risk of starting the tool accidentally.
- **Store idle tools out of the reach of children and do not allow persons unfamiliar with the tool or these instructions to operate the tool.** Tools are dangerous in the hands of untrained users.
- **Maintain tools. Check for misalignment or binding of moving parts, breakage of parts and any other condition that may affect the tool's operation. If damaged, have the tool repaired before use.** Many accidents are caused by poorly maintained tools.
- **Use only accessories that are recommended for your tool.** Properly maintained cutting tools with sharp cutting edges are less likely to bind and are easier to control.
- **Keep handles dry and clean; free from oil and grease.** Allows for better control of the tool.

Service

- **Have your tool serviced by a qualified repair person using only identical replacement parts.** This will ensure that the safety of the tool is maintained.

Specific Safety Information

⚠ WARNING

This section contains important safety information that is specific to this tool.

Read these precautions carefully before using the 975 Combo Roll Groover to reduce the risk of serious personal injury.

SAVE THESE INSTRUCTIONS!

Contact Ridge Tool Technical Service Department at (800) 519-3456 or rtctechservices@emerson.com if you have any questions.

Roll Groover Safety

- **Do not wear loose clothing. Keep sleeves and jackets buttoned. Do not reach across the machine or pipe.** Clothing can be caught by the pipe or other rotating parts, resulting in entanglement and serious injury.
- **Keep hands away from grooving rolls. Do not groove pipe shorter than specified. Do not wear loose fitting gloves.** Fingers can be crushed between groove rolls or between groove roll and pipe.
- **Keep hands away from ends of pipe. Do not reach inside pipe.** Burrs and sharp edges can catch and cut. Fingers can be crushed between groove rolls or between groove roll and pipe.
- **Properly prepare and handle pipe.** Burrs and sharp edges can catch and cut.
- **Properly support the pipe.** This will help to prevent the tipping of the pipe and equipment.
- **Read and understand this operator's manual, the appropriate power drive or threading machine operator's manual, the fitting manufacturer's installation instructions and the instructions for any other equipment used with this tool before operating the RIDGID® 975 Combo Roll Groover.** Failure to follow all instructions may result in property damage and/or serious personal injury.
- **Always wear appropriate personal protective equipment while setting up and using the RIDGID 975 Combo Roll Groover.** Appropriate personal protective equipment always includes eye protection and may include equipment such as tight fitting leather gloves, steel toed footwear, and a hardhat.
- **Only use roll groover to groove pipe of recommended sizes and types according to these instructions.** Other uses or modifying the roll groover for other applications may increase the risk of injury.

Roll Groover Safety When Used With A Power Drive/Threading Machine

- **Only use the RIDGID 300 Power Drive or the 300 Compact Threading Machine with this 975 Combo Roll Groover.** Use of other power sources will result in improper set up and could cause tipping or other issues.
- **Do not use this roll groover with a power drive or threading machine that does not have a foot switch. Never block a foot switch so that it does not control the power drive.** A foot switch provides better control by letting you shut off the power drive motor by removing your foot. If clothing should become

caught in the machine and power is maintained to the motor, the clothing will be pulled into the machine. This machine has high torque and can cause the clothing to bind around your arm or other body parts with enough force to crush or break bones or cause striking or other injuries.

- **One person must control both the grooving process and the foot switch. Do not operate with more than one person.** In case of entanglement, the operator must be in control of the foot switch.
- **Only use power drives and threading machines with a rotational speed of 57 rpm or less.** Higher speed machines increase the risk of injury.
- **Be sure the roll groover is properly set up and secured to the power drive/threading machine. Be sure the machine, stand, groover and pipe are stable.** This will help prevent tipping of the equipment and pipe.

Roll Groover Safety When Used In Place

- **Only drive manually when used for in place applications. Do not use powered devices (such as drills or impact tools) to drive the roll groover when used in place.** Use of powered devices can damage the Groove and increase the risk of injury.
- **When working overhead, all personnel should wear hard hats and be clear of the area below.** Prevents serious injuries if roll groover, pipe or other objects fall.

Description, Specifications and Standard Equipment

Description

The RIDGID® 975 Combo Roll Groover forms rolled grooves in steel, aluminum and PVC pipe and will groove 1¼" to 6" diameter pipe, schedule 10 and schedule 40. It is also designed to groove 1¼" to 6" schedule 10 and 1¼" to 2" schedule 40 stainless steel pipe. It can also be adapted for 2" - 8" Type K, L, M and DWV copper tube with a roll set change. The grooves are formed by mechanically advancing a grooving roll into the pipe which is supported by a drive roll. The only adjustment necessary is for the depth of the groove.

The unit is specifically designed to be used either in place or with the RIDGID Model 300 Power Drive (38 and 57 RPM Models). With the appropriate adapter (cat. #67662), the unit can work with the RIDGID Model 300 Compact Threading Machine. The 975 Combo Roll Groover includes a patented groove depth gauge to aid in groove set up and patented features to improve tracking during use.

The 975 Combo Roll Groover is a portable unit intended for occasional use on the job site and should not be used for high volume work or for production work in a pipe fabrication shop.

NOTICE When properly used, the Model 975 Combo Roll Groover makes grooves 2" - 6" that are dimensionally within the specifications of AWWA C606-06. Selection of appropriate materials and joining methods is the responsibility of the system designer and/or installer. Before any installation is attempted, careful evaluation of the specific service environment, including chemical environment and service temperature, should be completed.

Specifications

Capacity 1 1/4" – 6" Schedule 10 and Schedule 40 Steel Pipe
 With Roll Change: 2" - 8" Copper Tube, Type K, L, M & DWV

(See Table II for Wall Thickness)

Groove Diameter Adjustment Adjusting Screw And Groove Depth Gauge

Actuation Feed Screw with 1/2" Ratchet Wrench

Power Drive Mounting... RIDGID 300 Power Drive (38 and 57 RPM Model Only)
 RIDGID 300 Compact Threading Machine (with adapter)

Weight..... 27.6 lbs.

The 975 Combo Roll Groover is protected under U.S. and International patents, including patents 6,272,895 and 6,591,652.

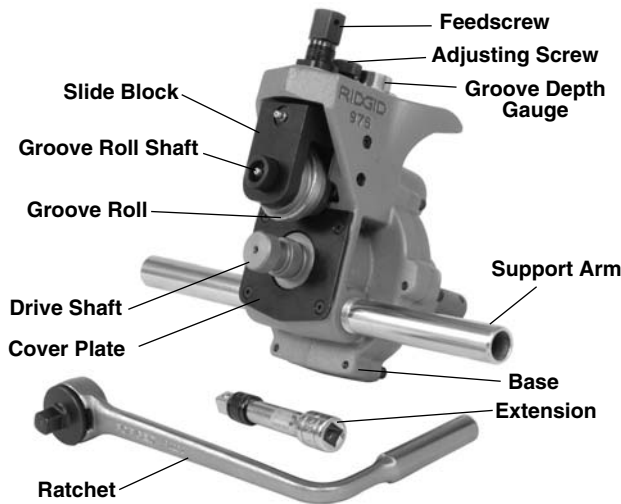


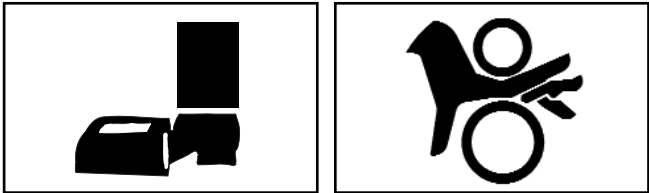
Figure 1 – 975 Combo Roll Groover

Standard Equipment

- 1 1/4" – 6" Schedule 10 & 40 Groove and Drive Rolls
- Ratchet Wrench (1/2" Drive) with Button Release
- Locking Extension Drive
- Support Arms
- Integral Index Depth Gauge

Roll Groover Inspection

⚠ WARNING



Before each use, inspect your roll groover and correct any problems to reduce the risk of serious injury from crushing injuries and other causes and prevent roll groover damage.

Do not use this roll groover with a power drive/threading machine that does not have a foot switch.

1. If the roll groover is installed on a power drive or threading machine, make sure that the machine is unplugged and that the REV/OFF/FOR switch is in the OFF position. Inspect and maintain the power drive/threading machine as directed in the machine's operator's manual. Failure to properly inspect and maintain equipment can result in serious injury and property damage. Make sure that that a foot switch is present and properly operating. Do not use this roll groover without a foot switch.
2. Clean any oil, grease or dirt from the roll groover, including the carry handle, and the ratchet used to activate the roll groover. This reduces the risk of injury due to the groover or ratchet slipping from your grip during use and allows easier inspection.
3. Make sure that the support arms are tight in the body of the roll groover.
4. Inspect the roll groover for any broken, missing, misarranged or binding parts or any other condition that may prevent the safe and normal operation. Make sure that the groove roll and drive shaft turn freely.
5. Check that the warning label is present and firmly attached. See Figure 2 for the location of the warning label.
6. If the drive shaft knurls are dirty, clean with a wire brush. Dirty knurls can cause pipe slippage and tracking issues during grooving.

7. Inspect the groove roll and drive shaft for cracks, wear or other signs of damage. Damaged groove rolls and drive shafts can cause pipe slippage, poor quality grooves, or cause failure during use.
8. Inspect the ratchet and extension for proper operation. Make sure that the ratchet operates smoothly and consistently in both directions. Press the release button in the center of the ratchet head and install on the feedscrew. The ratchet should firmly lock into position. The ratchet should also lock securely into the extension and the extension should securely lock into the manual drive square at the back of the roll groover. This helps to prevent the ratchet and extension from coming loose from the roll groover in use. If using a different ratchet, wrench or extension that does not lock to the roll groover, be aware that it could come loose during use.

If any problems are found, do not use the machine until the problems have been corrected.

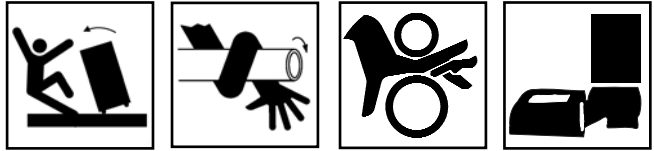
9. Lubricate the roll groover per the maintenance instructions in this manual. Wipe any excess grease from the roll groover.
10. If any other equipment is being used, inspect and maintain to make sure it is functioning properly.



Figure 2 – 975 Combo Roll Groover Warning Label

Machine and Work Area Set-Up For Power Driven Applications

⚠ WARNING



Always wear eye protection to protect your eyes against dirt and foreign objects. Wear steel toe footwear to protect feet from tipping tools and falling pipe.

Do not use this roll groover with a power drive or threading machine that does not have a foot switch. Never block a foot switch so that it does not control the power drive. A foot switch provides better control by letting you shut off the power drive motor by removing your foot. If clothing should become caught in the machine and power is maintained to the power drive motor, the clothing will be pulled into the machine. This machine has high torque and can cause the clothing to bind around your arm or other body parts with enough force to crush or break bones or cause striking or other injuries.

Set up the roll groover and the work area according to these procedures to reduce the risk of injury from electric shock, fire, machine tipping, entanglement, crushing and other causes, and prevent roll groover damage.

1. Locate a work area that has the following:
 - Adequate lighting.
 - No flammable liquids, vapors or dust that may ignite. If present, do not work in area until sources have been identified and corrected. Power Drives and threading machines are not explosion proof, and can cause sparks.
 - Clear, level, stable and dry location for all of the equipment and the operator. Do not use the equipment while standing in water.
 - Properly grounded electrical outlet. A three prong or GFCI outlet may not be properly grounded. If in doubt, have outlet inspected by a licensed electrician.
 - Clear path to the electrical outlet that does not contain any potential sources of damage to the power cord.
2. Clean up the work area prior to setting up any equipment. Always wipe up any oil that may be present.
3. Inspect the pipe to be grooved and confirm that the 975 Combo Roll Groover is the correct tool for the job. The 975 Combo Roll Groover is designed to groove schedule 10 and 40 steel, aluminum, and PVC pipe in 1¼" to 6" sizes. It is also designed to groove 1¼" to 6"

schedule 10 and 1 $\frac{1}{4}$ " to 2" schedule 40 stainless steel pipe. With a roll set change, it can be used to groove 2" - 8" Type K, L, M and DWV copper tube.

The 975 Combo Roll Groover can be used for in place applications (pipe that is in place or mounted in a vise) or with a RIDGID 300 Power Drive or 300 Compact Threading Machine for powered applications on the job site. The 975 Combo Roll Groover is not intended for production type applications.

Roll groovers for other applications can be found by consulting the Ridge Tool catalog, on line at www.RIDGID.com, or by calling Ridge Tool Technical Services at 800-519-3456.

NOTICE Use of roll sets (groove roll and driveshaft) on both carbon and stainless steel pipe can lead to contamination of the stainless steel material. This contamination could cause corrosion and premature pipe failure. To prevent ferrous contamination of stainless steel pipe, use roll sets dedicated for stainless steel roll grooving. Alternately, a stainless steel wire brush may be used to thoroughly clean the roll set when switching between materials.

4. Make sure the power drive/threading machine has been inspected per it's manual. Confirm the presence of a foot switch and make sure that the FOR/OFF/-REV switch is in the OFF position. Set up the power drive/threading machine as directed in it's manual. Make sure that the machine and stand are stable and do not wobble.
5. Fully open the chuck of the power drive/threading machine.
6. Confirm that the 975 Combo Roll Groover has been inspected and has the appropriate roll set installed.

Mounting The 975 Combo Groover Onto A RIDGID 300 Power Drive

1. If the power drive to be used is equipped with a carriage or other attachments, remove them from the power drive. Make sure the power drive support arms are fully forward and fixed in position.
2. Place the support arms of the roll groover onto the support arms of the power drive and the end of the roll groover driveshaft in the chuck of the machine. Close and tighten the power drive chuck onto the flats of the driveshaft. Make sure that the driveshaft is centered in the chuck. Use repeated and forceful counter-clockwise spins of the speed chuck hammerwheel to securely grip the driveshaft (*Figure 3*).

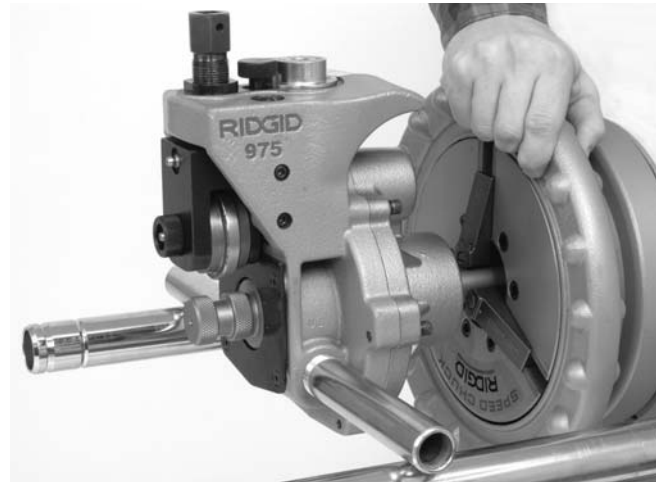


Figure 3 – Mounting 975 Combo Roll Groover Into 300 Power Drive Chuck

Mounting The 975 Combo Groover Onto A RIDGID 300 Compact Threading Machine

When using the 975 Combo Roll Groover with a 300 Compact Threading Machine, an adapter kit (Catalog Number 67662) must be used. This adapter kit properly positions the 975 Combo Roll Groover relative to the threading machine and stand and to allow the complete range of sizes to be grooved. Do not try to use the 975 Combo Groover with any other threading machine, as tipping or other issues may result.

1. Install the drive bar adapter onto the roll groover drive shaft (*See Figure 4*). Align set screws with the flats on the roll groover drive shaft and firmly tighten.

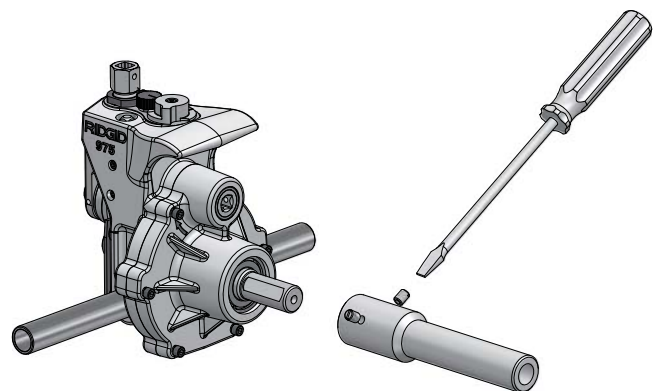


Figure 4 – Installing Drive Bar Adapter

2. Move carriage on the 300 Compact Threading Machine as close to the machine chuck as possible. Move the cutter, reamer and die head in to the position away from the operator, so they are out of the way. Position reamer cone inside of die head.

- Place the adapter bracket over the end of rails of the 300 Compact (as shown in Figure 5) and lock into place with the attached pin.

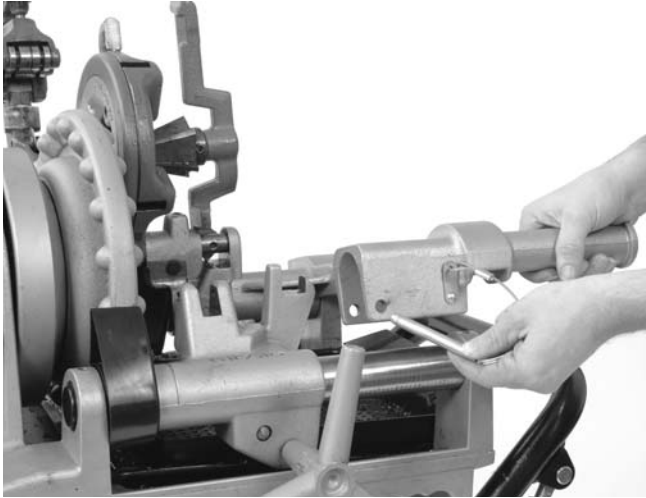


Figure 5 – Installing Adapter Bracket

- Place the 975 support arms on the arms of the adapter bracket with the drive bar adapter in the chuck of the machine. Close and tighten the threading machine chuck onto the drive bar adapter. Make sure that the drive bar is centered in the chuck. Use repeated and forceful counterclockwise spins of the speed chuck hammerwheel to securely grip the drive bar.

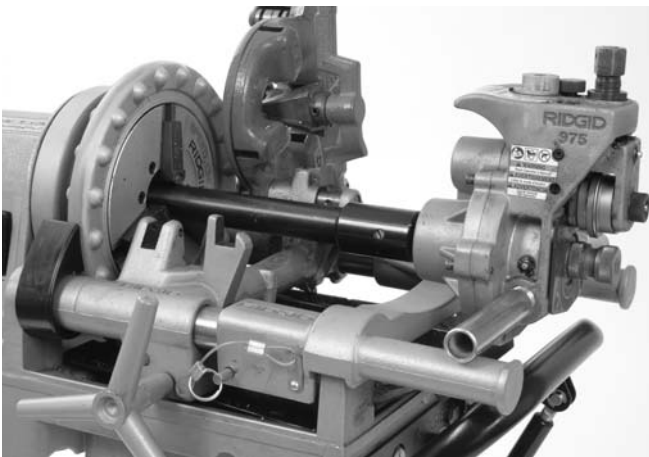


Figure 6 – 975 Combo Roll Groover Properly Mounted On 300 Compact Threading Machine

Completing Set Up

- Position the foot switch so that the operator can control the power drive/threading machine, the roll groover and the pipe to be grooved. As shown in Figure 6, the position should allow the operator to:
 - Stand facing the roll groover with access to (on the same side as) the FOR/OFF/REV switch.

- Control the ON/OFF action of the foot switch and quickly release the foot switch if needed.
- Have convenient access to the roll groover, pipe and ratchet wrench without reaching over the roll groover.



Figure 7 – Operator Position

- Run the power cord along the previously identified clear path. With dry hands plug the power drive into the properly grounded outlet. Keep all connections dry and off the ground. If the power cord is not long enough use an extension cord that :
 - Is in good condition
 - Has a three prong plug similar to that on the power drive
 - Is rated for outdoor use and contains a W or W-A in the cord designation (i.e. SOW)
 - Has sufficient wire size (14 AWG for 25' or less, 12 AWG for 25' – 50' long). Undersized wires can overheat, melting the insulation or causing a fire or other damage.
- Check the power drive/threading machine to make sure that it is operating correctly:
 - Move the switch to the FOR (Forward) position. Press and release the foot switch. Confirm that the driveshaft rotates in a counter-clockwise direction as you face the front chuck. If the unit does not

rotate in the correct direction or the foot switch does not control the machine operation, do not use the machine until it has been repaired.

- Depress and hold the foot switch. Check the rotational speed of the unit. Inspect the moving parts for misalignment, binding, odd noises or any other unusual conditions. Release foot switch. If the rotational speed exceeds 57 rpm, do not use the unit for roll grooving. Higher speeds may increase the risk of injury. If unusual conditions are found, do not use the equipment until it has been repaired.
- Move the switch to the REV (reverse) position. Press and release the foot switch. Confirm that the driveshaft rotates in a clockwise direction as you face the front of the chuck. If the unit does not rotate in the correct direction, do not use the machine until it has been repaired.
- Move the switch to the OFF position. With dry hands unplug the machine.

Pipe Preparation

NOTICE These are generalized instructions. Always follow grooved coupling manufacturer’s specific recommendations for pipe end preparation. Failure to follow the grooved coupling manufacturer’s recommendations may lead to an improper connection and cause leaks.

1. Cut pipe to proper length. Be aware of the minimum lengths of pipe that can be grooved for each size of pipe (See Chart A). Grooving pipe shorter than minimum length increases the risk of injury from crushed fingers and entanglement.

Make sure pipe end is cut square and free of burrs. Burrs can catch or cut gloves or fingers during grooving. Cut off method and large burrs can effect the quality of the groove made and the tracking of the Groove. Do not attempt to groove pipe that has been cut with a torch.

2. All internal/external weld beads, flash, or seams must be ground flush at least 2" back from the end of the pipe. Do not cut flats into gasket seat area, this could cause leaks.
3. Remove all scale, dirt, rust and other contaminants at least 2" back from the end of the pipe. Contaminants can clog the drive knurls and prevent proper driving and tracking of the pipe while grooving.

Pipe Set Up In Roll Groover

1. Confirm that the power drive switch/threading machine is in the OFF position.

2. Make sure to have appropriate support available for the pipe you are going to be grooving. Chart A lists the maximum length of pipe to be grooved using a single pipe stand. Longer lengths of pipe should be supported with at least two pipe stands. Failure to properly support the pipe may allow the pipe or the pipe and machine to tip and fall. Do not groove pipe shorter than the minimum length.

Nom. Size	Min. Length	Max. Length	Nom. Size	Min. Length	Max. Length
1	8	36	4	8	36
1¼	8	36	4½	8	32
1½	8	36	5	8	32
2	8	36	6 O.D.	10	30
2½	8	36	6	10	28
3	8	36			
3½	8	36			

Chart A – Minimum/Maximum Pipe Length To Be Grooved With One Stand (All Dimensions In Inches)

3. Place the required pipe stands in front of the roll groover. For lengths supported by a single stand, the stand should be placed slightly more than half the length of the pipe from the roll groover cover plate. For lengths of pipe requiring more than one stand, the stands should be placed ¼ of the pipe length from the ends of the pipe. It may be appropriate to use more stands in some situations. Stand height should be adjusted so that the pipe can fit over the drive roll.
4. Make sure that the groove roll has been retracted enough to allow the pipe to be placed over the drive shaft. If needed, turn the feedscrew counter-clockwise to raise the groove roll.
5. Place the pipe end over the driveshaft and set the pipe down onto the pipe stand(s). Make sure the pipe is stable.

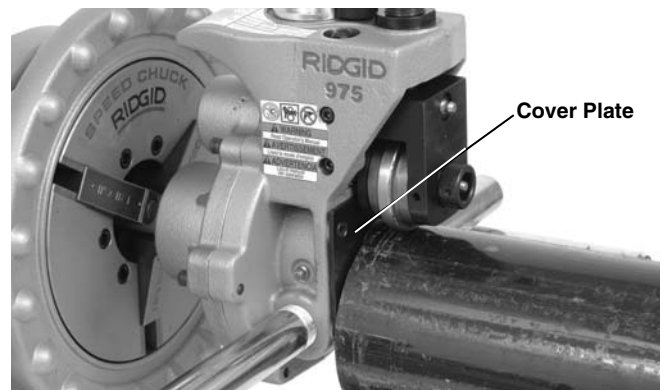


Figure 8 – Placing Pipe Over Driveshaft and Flush To Cover Plate

6. Adjust pipe and pipe stands so that the end of the pipe is flush to the roll groover cover plate and that the inside of the pipe contacts the top of the driveshaft

(Figure 7). The centerline of the pipe and the centerline of the drive shaft should be parallel to one another. One way to do this is to level both the pipe and the power drive/threading machine.

7. Slightly offset the pipe and pipe stands approximately 1/2 degree (about 1" over at 10 feet from the roll groover) towards the operator. Proper alignment of the pipe and roll groover helps to insure proper tracking of the pipe while grooving. (See Figure 9.)

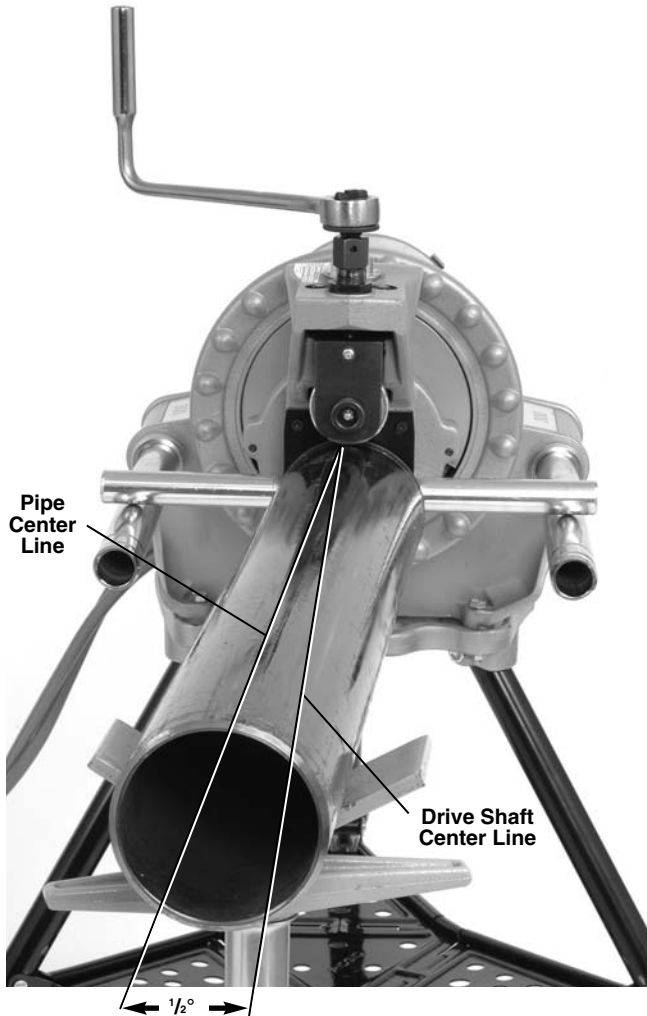


Figure 9 – Offsetting The Pipe 1/2° Towards Operator (Exaggerated)

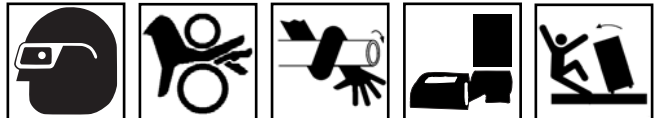
8. Turn the feedscrew clockwise to bring the groove roll down in contact with the pipe outside diameter, then turn the feedscrew one quarter additional turn. The adjusting screw may need to be loosened (turned counter-clockwise) to allow the groove roll to contact pipe. The pipe and roll groover should be secure to each other at this point.
9. Evaluate the work area and determine if any barriers are required to keep people other than the operator

away from the equipment and pipe. Guards or barricades should be used to create a minimum of three (3) feet of clearance around the power drive and pipe. This “safety zone” prevents others from accidentally contacting the machine or pipe and causing tipping or becoming entangled in the rotating parts.

10. With dry hands, plug the machine into the properly grounded outlet.

Operating The 975 Combo Roll Groover With A Power Drive/Threading Machine

⚠ WARNING



Do not wear loose clothing when operating the roll groover. Keep sleeves and jackets buttoned. Do not reach across the machine or pipe. Loose clothing can become entangled in rotating parts and cause crushing injuries.

Keep hands away from grooving rolls. Do not groove pipes shorter than specified. Do not wear loose fitting gloves. Fingers can be crushed between groove rolls or between groove roll and pipe.

Keep hands away from ends of pipe. Do not reach inside pipe. Burrs and sharp edges can catch and cut. Fingers can be crushed between groove rolls or between groove roll and pipe.

Always wear eye protection to protect your eyes against dirt and foreign objects. Wear steel toe footwear to protect feet from tipping tools and falling pipe.

Follow operating instructions to reduce the risk of injury from crushing, tipping, striking and other causes.

Setting/Measuring The Groove Diameter

NOTICE Due to differing pipe characteristics, a test groove should always be performed before the first groove of the day or when changing pipe size, schedule or material. Groove diameter setting gauges are approximate only and the groove diameter must be measured to confirm proper size.

1. Confirm that the equipment and pipe is properly set up. Improper pipe preparation can effect the accurate set up of the groove depth gauge. The groove roll should be touching the pipe.
2. Adjust the groove depth gauge so that the correct step of the gauge is under the head of the adjusting screw (Figure 10A). The groove depth gauge is

designed for use with pipe. See "Setting The Groove Diameter For Copper Tube" for use with copper tube.

- Turn the adjusting screw clockwise until the head touches the step of the depth gauge. Turn the groove depth gauge to the grooving position (Figure 10B). If the gauge is not in the grooving position it will prevent grooving and may be damaged.

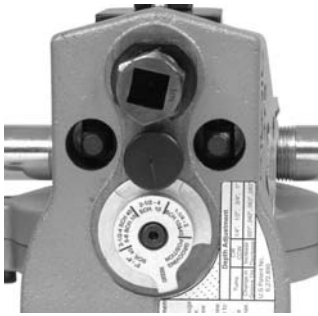


Figure 10A – Place Correct Step of Gauge Under Adjusting Screw Head

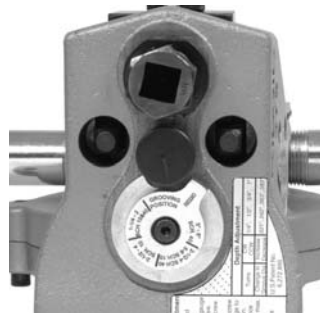


Figure 10B – Gauge In Grooving Position

- Prepare a test groove (follow the steps for "Forming the Roll Groove").
- Measure the groove diameter. The best method for measuring groove diameter is the use of a diameter tape (see Accessories Section). Snugly wrap the diameter tape around the pipe in the groove. Make sure that the tape sits flat in the bottom of the groove, and read the groove diameter. (See Figure 11.)



Figure 11 – Checking Groove Diameter With A Diameter Tape

- Compare the measured groove diameter to the required groove diameter as shown in Table I or III or as specified by the groove fitting manufacturer. If the measured groove is outside of the required groove

diameter, the adjusting screw must be repositioned to give the correct groove diameter.

- To increase groove diameter, turn the adjusting screw clockwise.
 - To decrease groove diameter, turn the adjusting screw counter-clockwise.
 - Each 1/4 turn of the adjusting screw changes the groove diameter approximately 0.02".
- Repeat steps 4-6 until the groove diameter is within specifications. If the groove is too large, the groover can be adjusted and the groove made smaller. If the groove is too small, another groove will need to be made. Proper groove diameter is important to insure connection performance. Out of specification grooves could cause joint failure.

Forming The Roll Groove

- Confirm that the equipment and pipe are properly set up.



Figure 12 – Roll Groover Operating Position

- Assume a proper operating position. Position the power drive foot switch so that the operator can control the power drive, the roll groover and the pipe to be grooved. As shown in Figure 12, the position should allow the operator to:

- Stand facing the roll groover with access to (on the same side as) the FOR/OFF/REV switch.
 - Control the ON/OFF action of the foot switch and quickly release the foot switch if needed.
 - Have convenient access to the groover and ratchet wrench without reaching over the roll groover.
 - Place right hand on pipe being grooved if needed.
 - Have good footing and proper balance.
3. Move the FOR/OFF/REV switch to the REV (reverse position). **Do not run the 975 Combo Roll Groover in the FOR (forward). Because of the design of the 975 Combo Roll Groover, this will cause the pipe to “spiral” out of the roll groove rolls and may allow the pipe to fall.**
 4. Place one hand on the on the head of the ratchet/top of the feedscrew and the other hand on the end of the ratchet.
 5. Press the foot switch to start the power drive. Watch the pipe rotate and be sure that the face of the pipe stays in contact with the cover plate of the roll groover. If the pipe starts to move away from the roll groover cover plate, release the foot switch to prevent the pipe from spiraling off and falling. If needed, re-set up the pipe (see *Pipe Set Up Section*). If the pipe end is deformed, it will need to be cut off and a new groove prepared.
 6. As the pipe completes a full rotation, tighten the feedscrew another 1/4 turn. Continue to monitor the pipe end to make sure that it is in contact with the cover plate. Do not tighten the feedscrew more than 1/4 turn per pipe rotation. Aggressive tightening of the feedscrew can cause excessive groove flare or cause the pipe to spiral off the drive shaft.
 7. Continue tightening the feedscrew 1/4 turn per pipe revolution until the head of the adjusting screw stops against the top of the roll groover. Do not continue tightening the feedscrew after the adjusting screw reaches the top of the roll groover, this can damage the adjusting screw. Allow the pipe to rotate at least two more full rotations in this position to insure uniform groove depth.
 8. Release the foot switch and move the FOR/OFF/REV switch to the OFF position.
 9. Turn the feedscrew counter-clockwise and raise the groove roll so that the pipe can be removed from the machine.
 10. Inspect the groove.
 - Make sure that the groove is fully formed.

- Check the groove diameter and make sure it is within specification.
- Check any other items required by the fitting manufacturer.

If any problems are found, the groove cannot be used.

Setting The Groove Diameter For Copper Tubing

When using the 975 Combo Roll Groover for copper tube, the groove depth gauge on the groover cannot be used. It will give incorrect groove diameters.

1. Turn the feedscrew clockwise to bring the groove roll down in contact with the pipe outside diameter, then turn the feedscrew one quarter additional turn. The adjusting screw may need to be loosened (turned counter-clockwise) to allow the groove roll to contact pipe. The pipe and roll groover should be secure to each other at this point.
2. Make sure the groove depth gauge is in the grooving position. (*Figure 10B*)
3. Turn the adjusting screw until it is flush with the top plate of the groover.
4. Find the diameter and type of pipe to be grooved on Table B and back the adjusting screw off the top plate the corresponding number of turns. For example, for 4" Sch. L copper, back the adjustment screw 1 1/4 turns.

Depth Adjustment for Roll Grooving Copper Tubing (Adjusting Screw Turns)

Dia.	K	L	M	DWV
2-2.5"	7/8	7/8	5/8	5/8
3"	1 1/16	1 1/16	1 1/16	1 1/16
4"	1 1/4	1 1/4	1 1/4	1 1/8
5"	1 1/2	1 1/2	1 1/2	1 1/2
6"	1 13/16	1 3/4	1 3/4	1 3/4
8"	2 1/2	2 3/8	2 1/8	2 1/8

Chart B – Depth Adjustment for Roll Grooving Copper Tubing

5. Go to step 4 of “Setting/Measuring The Groove Diameter”.

975 Combo Roll Groover Tracking Tips

The main issue users encounter when roll grooving is the pipe “spiraling” or “walking off” the driveshaft or not “tracking” properly. For good tracking, it is important that all of the instructions are followed. If, even after following all instructions, the pipe will not properly track, there are several other options to improve tracking.

- Slightly increase the offset of the pipe towards the operator (increase from $\frac{1}{2}$ degree to 1 degree) (See *Figure 9*).
- The operator may need to apply slight force on the pipe while grooving to maintain tracking. This is usually only needed on shorter sections of pipe. To do this, the operator should wear a leather glove in good condition and cup their hand around the middle of the pipe as shown in *Figure 13*. This may require that the stand to which the power drive/threading machine is mounted be fixed to the floor to prevent movement during grooving. To prevent crushing injuries, keep hand away from the groove roll and the ends of the pipe, and do not groove pipe shorter than recommended.



Figure 13 – Applying Force To Pipe While Grooving To Maintain Tracking

- Additionally, see the *Troubleshooting Section* for a complete list of reasons for and solutions to tracking issues.

Machine and Work Area Set-Up For In Place Applications

⚠ WARNING



Always wear eye protection to protect your eyes against dirt and foreign objects. Wear steel toe footwear to protect feet from tipping and falling pipe and tools. When working in place, wear a hard hat.

Set up roll groover and work area according to these procedures to reduce the risk of injury from machine tipping, crushing and other causes, and prevent roll groover damage.

1. Locate a work area that has the following:
 - Adequate lighting.
 - No flammable liquids, vapors or dust that may ignite. If present, do not work in area until sources have been identified and corrected.
 - Clear, level, stable and dry location with adequate space for all of the equipment and the operator.
2. Clean up the work area prior to setting up any equipment. Always wipe up any oil that may be present.
3. Inspect the pipe to be grooved and confirm that the 975 Combo Roll Groover is the correct tool for the job. The 975 Combo Roll Groover is designed to groove schedule 10 and 40 steel, aluminum, and PVC pipe in $1\frac{1}{4}$ " to 6" sizes. It is also designed to groove $1\frac{1}{4}$ " to 6" schedule 10 and $1\frac{1}{4}$ " to 2" schedule 40 stainless steel pipe. With a roll set change, it can be used to groove 2" - 8" Type K, L, M and DWV copper tube.

The 975 Combo Roll Groover can be used for in place applications (pipe that is in place or mounted in a vise) or with a RIDGID 300 Power Drive or 300 Compact Threading Machine for powered applications on the job site. The 975 Combo Roll Groover is not intended for production type applications.
4. When grooving in place, make sure that there will be enough space for the 975 Combo Roll Groover to fit and be operated. The roll groover will orbit around the solidly mounted pipe and requires:
 - A minimum of $6\frac{1}{2}$ " clear space around the pipe to be grooved
 - A minimum of $2\frac{1}{2}$ " pipe extending past an obstruction such as a wall

- A minimum opening of 9½" to fit the roll groover onto the pipe

Roll groovers for other applications can be found by consulting the Ridge Tool catalog, on line at www.RIDGID.com, or by calling Ridge Tool Technical Services at 800-519-3456.

NOTICE Use of roll sets (groove roll and driveshaft) on both carbon and stainless steel pipe can lead to contamination of the stainless steel material. This contamination could cause corrosion and premature pipe failure. To prevent ferrous contamination of stainless steel pipe, use roll sets dedicated for stainless steel roll grooving. Alternately, a stainless steel wire brush may be used to thoroughly clean the roll set when switching between materials.

Pipe Preparation

NOTICE These are generalized instructions. Always follow grooved coupling manufacturer's specific recommendations for pipe end preparation. Failure to follow the grooved coupling manufacturer's recommendations may lead to an improper connection and cause leaks.

1. If grooving in place on an existing piping, make sure that the system has been depressurized and emptied of contents. Know what the contents are and any hazards associated with them.
2. Cut pipe to proper length.
Make sure pipe end is cut square and free of burrs. Burrs can catch or cut gloves or fingers during grooving. Cut off method and large burrs can effect the quality of the groove made and the tracking of the Groove. Do not attempt to groove pipe that has been cut with a torch.
3. All internal/external weld beads, flash, or seams must be ground flush at least 2" back from the end of the pipe. Do not cut flats into gasket seat area, this could cause leaks.
4. Remove all scale, dirt, rust and other contaminants at least 2" back from the end of the pipe. Contaminants can clog the drive knurls and prevent proper driving and tracking of the pipe while grooving.
5. Make sure that the pipe to be grooved is solidly mounted. The pipe must be able to withstand the weight of the roll groover (28 pounds), and the force and torque required for grooving without moving. For pipe that is in place, it may make sense to remove the pipe and groove at a pipe vise. In other cases, it may be necessary to add other temporary or permanent pipe supports. When using a pipe vise, make sure that it is secure and will not tip during use. For longer lengths of pipe, use appropriate pipe stands to support the extra length.

Mounting The Roll Groover To The Pipe

1. Confirm that the 975 Combo Roll Groover has been inspected and has the appropriate roll set installed. Make sure that the support arms are tight in the body of the roll groover or remove them completely for better access in tight spaces. Next, install the ratchet into the feedscrew and install the extension into the manual drive square at the back of the roll groover. Make sure both the ratchet and extension are securely installed.
2. Make sure that there is enough space between the groove roll and drive shaft for the pipe wall. If needed, turn the feedscrew counter-clockwise to retract the groove roll.
3. Securely grasp the roll groover. Do not lift with the ratchet. Place the driveshaft into the pipe and make sure that the cover plate is tight to the end of the pipe (*Figure 14*). Tighten the feedscrew to bring the groove roll into contact with the outside of the pipe. Once the feedscrew is hand tight, use the ratchet to tighten the feedscrew an additional ¼ turn. Confirm that the roll groover is securely attached to the pipe and the cover plate is flush to the end of the pipe. If not, repeat procedure. Always make sure groover is secure when used in place to prevent it from falling.

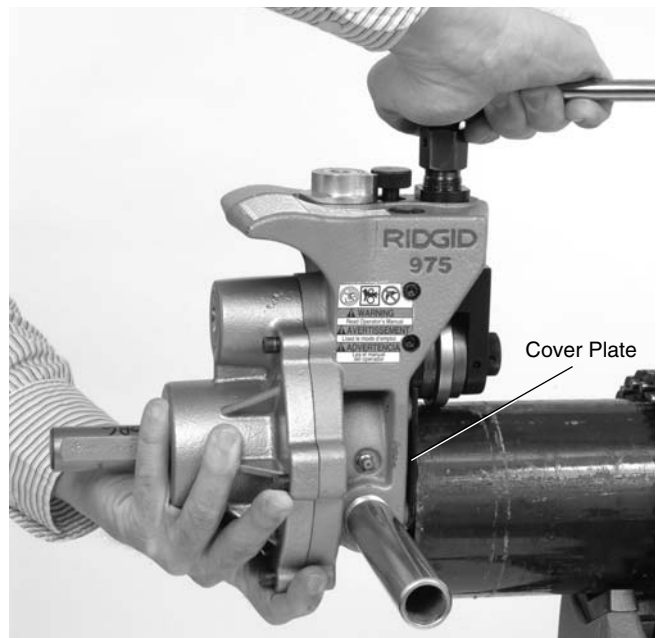


Figure 14 – Holding the Roll Groover In Place While Tightening the Feedscrew

Operating The 975 Combo Roll Groover In Place

⚠ WARNING



Only drive manually when used for in place applications. Do not use powered devices (such as drills or impact tools) to drive the roll groover when used in place. Use of powered devices can damage the groover and increase the risk of injury.

Do not wear loose clothing when operating the roll groover. Keep sleeves and jackets buttoned. Do not reach across the machine or pipe. Loose clothing can become entangled in rotating parts and cause crushing injuries.

Keep hands away from grooving rolls. Do not groove pipes shorter than specified. Do not wear loose fitting gloves. Fingers can be crushed between groove rolls or between groove roll and pipe.

Keep hands away from ends of pipe. Do not reach inside pipe. Burrs and sharp edges can catch and cut. Fingers can be crushed between groove rolls or between groove roll and pipe.

Always wear eye protection to protect your eyes against dirt and foreign objects. Wear steel toe footwear to protect feet from tipping tools and falling pipe. When working in place, wear a hard hat.

Follow operating instructions to reduce the risk of injury from crushing, tipping, striking and other causes.

Setting/Measuring The Groove Diameter

NOTICE Due to differing pipe characteristics, a test groove should always be performed before the first groove of the day or when changing pipe size, schedule or material. Groove diameter setting gauges are approximate only and the groove diameter must be measured to confirm proper size.

1. Confirm that the equipment and pipe are properly set up. Improper pipe preparation can effect the accurate set up of the groove depth gauge. The groove roll should be touching the pipe.
2. Adjust the groove depth gauge so that the correct step of the gauge is under the head of the adjusting screw (Figure 15A). The groove depth gauge is designed for use with pipe. See "Setting The Groove Diameter For Copper Tube" for use with copper tube.
3. Turn the adjusting screw clockwise until the head

touches the step of the depth gauge. Turn the groove depth gauge to the grooving position (Figure 15B). If gauge is not in the grooving position it will prevent grooving and may be damaged.

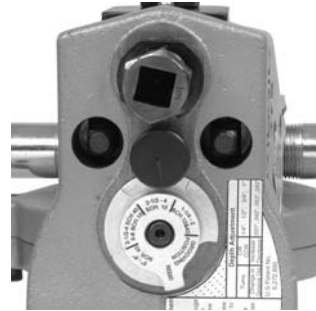


Figure 15A – Place Correct Step of Gauge Under Adjusting Screw Head



Figure 15B – Gauge In Grooving Position

4. Prepare a test groove (follow the steps for "Forming the Roll Groove").
5. Measure the groove diameter. The best method for measuring groove diameter is the use of a diameter tape (See Accessories Section). Snugly wrap the diameter tape around the pipe in the groove. Make sure that the tape sits flat in the bottom of the groove, and read the groove diameter (See Figure 16).



Figure 16 – Measuring The Groove Diameter With A Diameter Tape

6. Compare the measured groove diameter to the required groove diameter as shown in Table I or III or as specified by the groove fitting manufacturer. If the measured groove is outside of the required groove diameter, the adjusting screw must be repositioned to give the correct groove diameter.
 - To increase groove diameter, turn the adjusting screw clockwise.

- To decrease groove diameter, turn the adjusting screw counter-clockwise.
 - Each 1/4 turn of the adjusting screw changes the groove diameter approximately 0.02".
7. Repeat steps 4-6 until the groove diameter is within specifications. If the first groove is too large, the Groove can be adjusted and the groove made smaller. If the groove is too small, another groove will need to be made. Proper groove diameter is important to insure connection performance. Out of specification grooves could cause joint failure.

Forming The Roll Groove

1. Confirm that the equipment and pipe are properly set up.
2. Assume a proper operating position. Make sure that your footing is good and you are well balanced.
3. Make sure that the feedscrew has been tightened 1/4 turn.
4. Remove the ratchet from the feedscrew and securely install in the extension. (In close quarters applications, the extension does not need to be used.)
5. Turn the ratchet clockwise as viewed from the back of the roll groover (this will match the arrows cast into the back of the roll groover, *see Figure 17*). Watch the groover rotate and be sure that the cover plate of the roll groover stays in contact with the end of the pipe. If the roll groover starts to move away from the pipe end, stop rotating the ratchet to prevent the roll groover from spiraling off the pipe end and falling. The roll groover support arms can be pushed on to help bring the cover plate back in contact with the pipe end. If needed, re-mount the roll groover to the pipe. (*see "Mounting Roll Groover to Pipe" section*). If the pipe end is deformed, it will need to be cut off and a new groove prepared.

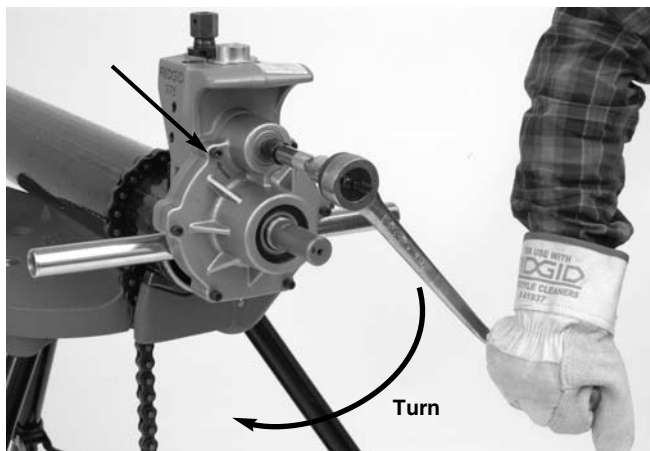


Figure 17 – Turning the Ratchet in the Direction of the Arrows

6. Continue rotating the ratchet until the roll groover completes at least a full rotation around the pipe. Remove the ratchet from the extension and attach to the feedscrew. Tighten the feedscrew another 1/4 turn. Remove the ratchet from the feedscrew and securely attach to the extension. Do not tighten the feedscrew more than 1/4 turn per pipe rotation. Aggressive tightening of the feedscrew can cause excessive groove flare and can cause the roll groover to walk off the pipe. Continue rotating the ratchet to drive the roll groover around the pipe while monitoring the position of the cover plate to the end of the pipe.
7. Continue tightening the feedscrew 1/4 turn per groove revolution around pipe until the head of the adjusting screw stops against the top of the roll groover. Do not continue tightening the feedscrew after the adjusting screw reaches the top of the roll groover, this can damage the adjusting screw. Rotate the roll groover at least two more full rotations around the pipe after the adjusting screw reaches the top of the roll groover to insure uniform groove depth.
8. Move the ratchet to the feedscrew. Securely grasp the roll groover. Turn the feedscrew counter-clockwise and retract the groove roll so that the roll groover can be removed from the pipe. Do not drop the roll groover.
9. Inspect the groove.
 - Make sure that the groove is fully formed.
 - Check the groove diameter and make sure it is within specification.
 - Check any other items required by the fitting manufacturer.

If any problems are found, the groove cannot be used.

Maintenance Instructions

⚠ WARNING

Make sure the power drive switch is in the OFF position and the unplugged before performing any maintenance or making any adjustments.

Lubrication

Lubricate the 975 Combo Roll Groover with a good general purpose grease once a month.

- Grease fittings are located on the side of the operator's side of the base, the front of the slide block, and the end of the groove roll shaft (*See Figure 2*). Add grease until a small amount is pushed out.
- Apply a light coat of grease to the feedscrew.

- The gear box of the 975 Combo Roll Groover is greased for life and does not require the addition of any grease unless the gear box is opened.

See Inspection Section for other information on maintenance.

Cleaning

Clean the driveshaft knurls with a wire brush on a daily basis or more often if needed.

Changing Roll Sets

NOTICE When changing roll set parts, always make sure drive and groove roll markings match. Mismatched parts can make improper grooves and cause leaks.

Remove the roll groover from the power drive or threading machine and place on a stable work bench.

Required Tools:

- 3/8" Hex Wrench
- 3/32" Hex Wrench
- .070" External Retaining Ring Pliers

Removing and Installing Drive Roll

1. Remove 6 screws that hold rear cover to the housing.
2. Remove the rear cover (See Figure 18).

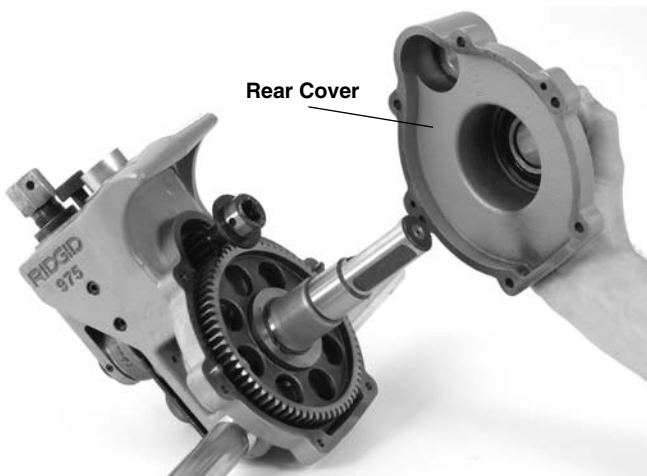


Figure 18 – Removing Rear Cover

3. Remove pinion.
4. Remove the driveshaft assembly out of the back of the 975 Roll Groover.
5. Remove retaining ring from driveshaft and slide gear off. (See Figure 19.)

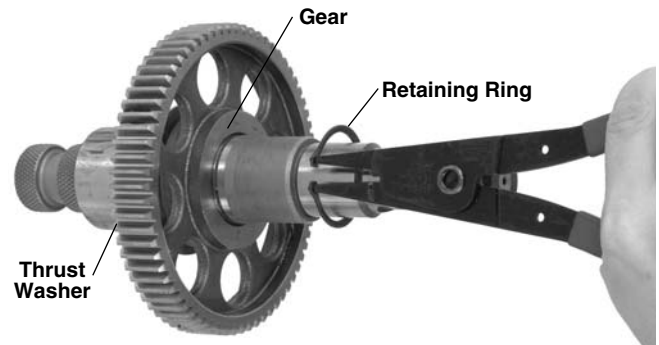


Figure 19 – Removing Retaining Ring

6. Remove key and then thrust washer.
7. Slide thrust washer onto new driveshaft.
8. Insert key and install gear.
9. Install retaining ring into driveshaft groove.
10. Place driveshaft assembly into main housing.
11. Grease from the gearbox may have been lost during the driveshaft change. Make sure the bearings and gear teeth are coated sufficiently with a good general purpose grease.
12. Insert pinion and reinstall rear cover. Tighten screws to 12-16 ft*lbs of torque.

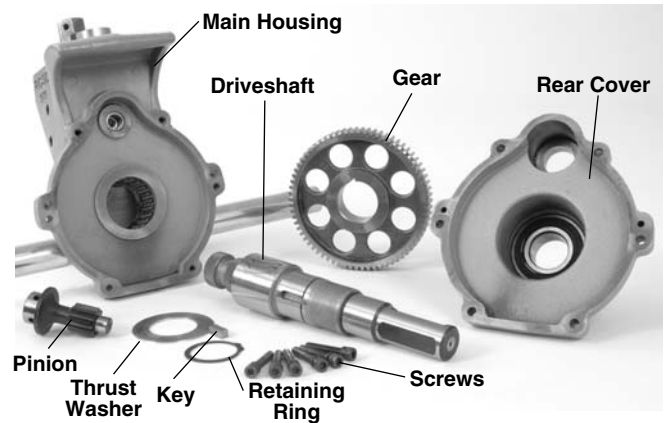


Figure 20 – 975 Combo Roll Groover Parts Diagram

Removing and Installing Groove Roll

1. Remove the setscrew that holds the groove roll shaft in place.
2. Pull the groove roll shaft out of the slide block and remove the groove roll and thrust washer.
3. Insert the thrust washer and new groove roll into the slide block. Ensure that the internal retaining ring in the groove roll is closest to the main housing, and that the groove roll is between the thrust washer and main housing.

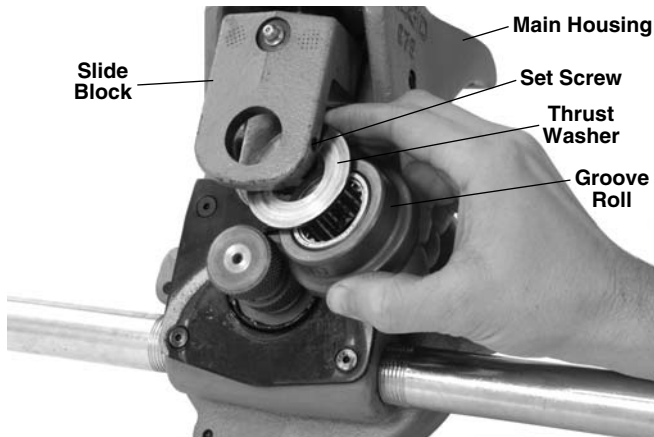


Figure 21

4. Replace the groove roll shaft and the set screw.
5. Visually inspect the alignment between the groove roll and the drive roll. If they are not aligned, check orientation of groove roll and thrust washer.
6. Grease as directed in Lubrication Section of manual.

Accessories

⚠ WARNING

The following RIDGID products have been designed to function with the 975 Combo Roll Groover. Other accessories suitable for use with other tools may be hazardous when used on the 975 Combo Roll Groover. To reduce the risk of serious injury, only use accessories specifically designed and recommended for use with the 975 Combo Roll Groover, such as those listed in the chart.

Cat. Number	Description
41855	300 Power Drive, 115V 25-60Hz 38RPM
75075	300 Power Drive, 115V 23-60Hz 57RPM
42360	1206 Stand for 300 Power Drive
66947	300 Compact, 115V 50/60Hz 38RPM
73447	300 Compact, 115V 50/60Hz 52RPM
67662	Adapter Bracket for 300 Compact
67657	250 Folding Wheel Stand for 300 Compact
72037	460 Portable TRISTAND Chain Vise
56662	VJ-99 VHead High Pipe Stand
76822	Inch Diameter Tape
76827	Metric Diameter Tape
30708	Extension, 1/2" Drive, Locking
30703	Ratchet, 1/2" Drive With 90° bend
32833	Groove and Drive Rolls for 2" - 8" Copper Tube Type K, L, M and DWV

Machine Storage

⚠ WARNING Store the tool in a locked area that is out of reach of children and people unfamiliar with roll groover equipment. This tool can cause serious injury in the hands of untrained users.

Service and Repair

⚠ WARNING

Improper service or repair can make machine unsafe to operate.

The "Maintenance Instructions" will take care of most of the service needs of this machine. Any problems not addressed by this section should only be handled by an authorized RIDGID service technician.

Tool should be taken to a RIDGID Independent Authorized Service Center or returned to the factory.

When servicing this machine, only identical replacement parts should be used. Use of other parts may create a risk of serious injury.

If you have any questions regarding the service or repair of this machine, call or write to:

Ridge Tool Company
 Technical Service Department
 400 Clark Street
 Elyria, Ohio 44035-6001
 Tel: (800) 519-3456
 E-mail: rctechservices@emerson.com

For name and address of your nearest Independent Authorized Service Center, contact the Ridge Tool Company at (800) 519-3456 or www.RIDGID.com

Table I. Standard Roll Groove Specifications For Pipe of IPS Dimensions

NOTE! All Dimensions are in Inches.

NOM. PIPE SIZE	PIPE DIAMETER		T MIN. WALL THK.	A GASKET SEAT +.015/-0.030	B GROOVE WIDTH +.030/-0.015	C GROOVE DIAMETER		D NOM. GROOVE DEPTH (Ref.) (2)
	O.D.	TOL.				O.D.	TOL.	
1 1/4	1.660	+0.016 -0.016	.065	.625	.344	1.535	+0.000 -0.015	.063
1 1/2	1.900	+0.016 -0.016	.065	.625	.344	1.775	+0.000 -0.015	.063
2 ⁽¹⁾	2.375	+0.024 -0.016	.065	.625	.344	2.250	+0.000 -0.015	.063
2 1/2 ⁽¹⁾	2.875	+0.029 -0.016	.083	.625	.344	2.720	+0.000 -0.015	.078
3 ⁽¹⁾	3.50	+0.030 -0.018	.083	.625	.344	3.344	+0.000 -0.015	.078
3 1/2 ⁽¹⁾	4.00	+0.030 -0.018	.083	.625	.344	3.834	+0.000 -0.015	.083
4 ⁽¹⁾	4.50	+0.035 -0.020	.083	.625	.344	4.334	+0.000 -0.015	.083
5 ⁽¹⁾	5.563	+0.056 -0.022	.109	.625	.344	5.395	+0.000 -0.015	.084
6 ⁽¹⁾	6.625	+0.050 -0.024	.109	.625	.344	6.455	+0.000 -0.015	.085

(1) As per AWWA C606-06

(2) Nominal Groove Depth is provided as a reference dimension only. Do not use groove depth to determine acceptability of a groove.

Table II. Pipe Maximum and Minimum Wall Thickness

NOTE! All Dimensions are in Inches.

Pipe Size	CARBON STEEL OR ALUMINUM PIPE OR TUBE		STAINLESS STEEL PIPE OR TUBE		PVC PIPE	
	Wall Thickness		Wall Thickness		Wall Thickness	
	Min.	Max.	Min.	Max.	Min.	Max.
1 1/4"	.065	.140	.065	.140	.140	.140
1 1/2"	.065	.145	.065	.145	.145	.200
2"	.065	.154	.065	.154	.154	.218
2 1/2"	.083	.203	.083	.188	.203	.276
3"	.083	.216	.083	.188	.216	.300
3 1/2"	.083	.226	.083	.188	.226	.226
4"	.083	.237	.083	.188	.237	.237
5"	.109	.258	.109	.188	.258	.258
6"	.109	.280	.109	.188	.280	.280

Table III. Copper Roll Groove Specifications

1	2		3	4	5	6	7	8
Nom. Size Inches	Tubing Outside Diameter O.D.		A Gasket Seat A ±0.03	B Groove Width +.03 -.000	C Groove Dia. +.00 -.02	D Groove Depth Ref. ¹	T Min. Allow. Wall Thick.	Max. Allow. Flare Dia.
	Basic	Tolerance						
2"	2.125	±0.002	0.610	0.300	2.029	0.048	DWV	2.220
2½"	2.625	±0.002	0.610	0.300	2.525	0.050	0.065	2.720
3"	3.125	±0.002	0.610	0.300	3.025	0.050	DWV	3.220
4"	4.125	±0.002	0.610	0.300	4.019	0.053	DWV	4.220
5"	5.125	±0.002	0.610	0.300	5.019	0.053	DWV	5.220
6"	6.125	±0.002	0.610	0.300	5.999	0.063	DWV	6.220
8"	8.125	+0.002/-0.004	0.610	0.300	7.959	0.083	DWV	8.220

1. Nominal Groove Depth is provided as a reference dimension. Do not use groove depth to determine groove acceptability.

Troubleshooting

SYMPTOM	POSSIBLE REASONS	SOLUTION
Roll groove too narrow or too wide.	Grooving roll and/or driving shaft worn.	Replace grooving roll and/or drive shaft.
Rolled groove not perpendicular to pipe axis.	Pipe length not straight. Pipe end not square with pipe axis.	Use straight pipe. Cut pipe end square.
Pipe will not track while grooving/Groover will not track on pipe while grooving.	Pipe and drive shaft not parallel. Pipe axis not offset ½ degree from driving roll axis. Driving roll knurl plugged or worn flat. Feedscrew not tight. Turning ratchet wrong direction. Inside of pipe has too much scale. Excessive weld seam. Not applying pressure to pipe. Pipe end not square/deburr. Feedscrew too tight.	Adjust stand to make pipe parallel. Offset pipe ½ degree. Clean or replace drive roll. Tighten feedscrew with ratchet for every revolution as per directions. Turn ratchet in proper direction. Clean inside of pipe. Grind weld seam flush 2" from end of pipe. Apply pressure to pipe. (See Figure 10.) Properly prep end of pipe. Only advance feedscrew in ¼ turn increments.
Pipe flared at grooved end.	Pipe and drive shaft not parallel. Feedscrew too tight.	Adjust stand to make pipe parallel. Only advance feedscrew 1/4 turn.

Troubleshooting (continued)

SYMPTOM	POSSIBLE REASONS	SOLUTION
Pipe drifts back and forth on driving roll axis while grooving.	Pipe length not straight. Pipe end not square with pipe axis.	Use straight pipe. Cut pipe end square.
Pipe rocks from side to side on driving roll while grooving.	Pipe stand is too close to end of pipe. Pipe end flattened or damaged. Hard spots in pipe material or weld seams harder than pipe. Grooving roll feed rate too slow. Power drive speed exceeds 57 RPM. Pipe supports stand not in correct location.	Move pipe stand in to match set-up Instructions. Cut off damaged pipe end. Use different pipe. Feed grooving roll into pipe faster. Reduce speed to 57 RPM. Position pipe stand rollers correctly.
Groover will not roll groove in pipe.	Maximum pipe wall thickness exceeded. Pipe material too hard. Adjustment screw not set. Power drive does not supply required minimum torque.	Check pipe capacity chart. Replace pipe. Set depth. Use RIDGID No. 300, 38-RPM Power Drive.
Groover will not roll groove to required diameter.	Maximum pipe diameter tolerance exceeded. Depth adjustment screw not set correctly. Pipe too hard.	Use correct diameter pipe. Adjust depth setting. Use different pipe.
Pipe slips on driving roll.	Grooving roll feed rate too slow. Driving roll knurls plugged with metal or worn flat.	Feed grooving roll into pipe faster. Clean or replace driving roll.
Groover will not rotate pipe while grooving.	Power drive does not supply minimum required torque. Chuck not closed on drive shaft flats.	Use RIDGID No. 300, 38 RPM Power Drive. Close chuck.
Pipe rises or tends to tip Groover over backwards.	Pipe support stand not properly set up.	Properly set up stands.

975

Rainureuse à galets mixte



AVERTISSEMENT

Lisez soigneusement ce manuel avant d'utiliser l'appareil. Le manque d'assimilation ou le non-respect des consignes ci-devant augmenteraient les risques de choc électrique, d'incendie et/ou de blessure corporelle grave.

Table des matières

Symboles de sécurité	25
Consignes générales de sécurité	
Sécurité des lieux.....	25
Sécurité électrique	25
Sécurité individuelle	26
Utilisation et entretien de l'appareil	26
Service après-vente	27
Consignes de sécurité spécifiques	
Sécurité de la rainureuse	27
Sécurité de la rainureuse sur système d'entraînement ou fileteuse	27
Sécurité de la rainureuse sur chantier	28
Description, caractéristiques techniques et équipements de base	
Description	28
Caractéristiques techniques.....	28
Équipements de base	28
Inspection de la rainureuse	29
Préparation de l'appareil et des locaux lors de l'utilisation d'un système d'entraînement	
Montage de la rainureuse mixte n° 975 sur système d'entraînement RIDGID 300	31
Montage de la rainureuse mixte n° 975 sur fileteuse RIDGID Compact	31
Derniers préparatifs	32
Préparation des tuyaux	33
Présentation des tuyaux	33
Utilisation de la rainureuse 975 sur système d'entraînement ou fileteuse	
Réglage et vérification du diamètre de rainurage	34
Façonnage des rainures	35
Réglage du diamètre de rainurage sur tuyaux cuivre	36
Pour mieux assurer des rainures concentriques avec la rainureuse mixte n° 975	37
Préparation de l'appareil et des lieux lors d'une utilisation sur chantier	
Préparation des tuyaux	38
Montage de la rainureuse sur tuyau existant	38
Utilisation de la rainureuse à galets sur chantier	
Réglage et vérification du diamètre de rainurage	39
Façonnage des rainures	40
Consignes d'entretien	
Lubrification	41
Nettoyage.....	41
Remplacement des galets	41
Accessoires	42
Stockage de l'appareil	43
Révisions et réparations	43
Tableau I : Spécifications de rainurage standard	44
Tableau II : Limites d'épaisseur des parois de tuyau	44
Tableau III : Spécifications de rainurage pour cuivre	45
Dépannage	45-46
Garantie à vie	Page de garde

Symboles de sécurité

Des symboles et mots clés spécifiques, utilisés à la fois dans ce mode d'emploi et sur l'appareil lui-même, servent à signaler d'importants risques de sécurité. Ce qui suit permettra de mieux comprendre la signification de ces mots clés et symboles.



Ce symbole sert à vous avertir aux dangers physiques potentiels. Le respect des consignes qui le suivent vous permettra d'éviter les risques de blessures graves ou mortelles.

DANGER

Le terme DANGER signifie une situation dangereuse potentielle qui, faute d'être évitée, provoquerait la mort ou de graves blessures corporelles.

AVERTISSEMENT

Le terme AVERTISSEMENT signifie une situation dangereuse potentielle qui, faute d'être évitée, serait susceptible d'entraîner la mort ou de graves blessures corporelles.

CAUTION

Le terme CAUTION signifie une situation dangereuse potentielle qui, faute d'être évitée, serait susceptible d'entraîner des blessures corporelles légères ou modérées.

AVIS IMPORTANT

Le terme AVIS signifie des informations concernant la protection des biens.



Ce symbole indique la nécessité de lire le manuel soigneusement avant d'utiliser le matériel. Le mode d'emploi renferme d'importantes informations concernant la sécurité d'utilisation du matériel.



Ce symbole indique le port obligatoire de lunettes de sécurité intégrales lors de la manipulation ou utilisation du matériel.



Ce symbole indique un risque d'écrasement des doigts ou des mains par les galets de rainurage.



Ce symbole indique un risque d'écrasement et/ou de lésion des mains, doigts, jambes vêtements ou autres objets en cas d'entraînement par les arbres rotatifs de l'appareil.



Ce symbole met en garde contre l'utilisation d'une perceuse, clé choc ou autre appareil électrique comme moyen d'entraînement lorsque l'appareil est utilisé sur chantier.



Ce symbole indique un risque de lésion ou d'écrasement en cas de renversement de l'appareil.



Ce symbole impose l'emploi systématique d'une pédale de commande lors de l'utilisation d'une fileteuse ou d'un système d'entraînement.



Ce symbole impose le port du casque lors des travaux en surélévation.

Consignes générales de sécurité

AVERTISSEMENT

Familiarisez-vous avec l'ensemble du mode d'emploi. Le non-respect des consignes ci-après augmenterait les risques de choc électrique, d'incendie et/ou de grave blessure corporelle.

CONSERVEZ CES INSTRUCTIONS !

Le terme «appareil électrique» utilisé dans les consignes de sécurité s'applique à la fois aux appareils sur secteur et aux appareils à piles (sans fils).

Sécurité des lieux

- **Assurez-vous de la propreté et du bon éclairage des lieux.** Les zones encombrées ou mal éclairées sont une invitation aux accidents.
- **N'utilisez pas d'appareils électriques en présence de matières explosives telles que liquides, gaz ou poussières combustibles.** Les appareils électriques produisent des étincelles susceptibles d'enflammer les poussières et émanations combustibles.

- **Éloignez les enfants et les curieux lors de l'utilisation d'un appareil électrique.** Les distractions risquent de vous faire perdre le contrôle de l'appareil.
- **Assurez la propreté des sols et l'absence de toutes matières visqueuses (huile, etc.).** Les sols glissants sont une invitation aux accidents.
- **Signalez ou barricadez les lieux lorsque les pièces façonnées saillissent de l'appareil.** Des panneaux ou des barricades assurant un dégagement d'au moins un mètre sur le pourtour de l'ouvrage permettront de limiter les risques d'enchevêtrement.

Sécurité électrique

- **La fiche électrique de l'appareil doit correspondre à la prise de courant utilisée. Ne tentez jamais de modifier la fiche. N'utilisez jamais d'adaptateur sur une fiche électrique avec terre.** Les fiches intactes et adaptées aux prises de courant utilisées limitent les risques de choc électrique.
- **Évitez tout contact avec les objets reliés à la terre tels que canalisations, radiateurs, cuisinières et**

réfrigérateurs. Tout contact avec la terre augmenterait les risques de choc électrique.

- **N'exposez pas l'appareil à la pluie ou aux intempéries.** Toute pénétration d'eau à l'intérieur d'un appareil électrique augmenterait les risques de choc électrique.
- **Ne maltraitez pas le cordon d'alimentation de l'appareil. Ne jamais utiliser le cordon d'alimentation pour porter, tirer ou débrancher l'appareil. Éloignez le cordon d'alimentation des sources de chaleur, de l'huile, des objets tranchants et des mécanismes.** Les cordons d'alimentation endommagés ou enchevêtrés augmentent les risques de choc électrique.
- **Lors de l'utilisation d'un appareil électrique à l'extérieur, prévoyez une rallonge électrique adaptée.** L'utilisation d'une rallonge électrique homologuée pour usage extérieur limitera les risques de choc électrique.
- **S'il est nécessaire d'utiliser un appareil électrique dans des lieux mouillés, prévoyez une source d'alimentation protégée par disjoncteur différentiel.** L'utilisation d'un disjoncteur différentiel réduit les risques de choc électrique.

Sécurité individuelle

- **Soyez attentif, faites attention à ce que vous faites et faites preuve de bon sens lors de l'utilisation d'un appareil électrique. N'utilisez pas d'appareil électrique lorsque vous êtes sous l'influence de drogues, de l'alcool ou de médicaments.** Lors de l'utilisation d'un appareil électrique, un instant d'inattention risque d'entraîner de graves lésions corporelles.
- **Prévoyez les équipements de protection individuelle nécessaires. Portez systématiquement une protection oculaire.** Le port d'équipements de protection tels que masque à poussière, chaussures antidérapantes, casque de chantier et protecteurs d'oreilles limite les risques de lésions corporelles.
- **Évitez les démarrages accidentels en vous assurant que l'interrupteur marche/arrêt de l'appareil se trouve en position «arrêt» avant de le brancher, d'y introduire le bloc-piles ou de prendre l'appareil en main.** Le fait de porter un appareil électrique avec son doigt sur la gâchette, voire de le brancher lorsque son interrupteur se trouve en position «marche» serait une invitation aux accidents.
- **Retirez toutes clés de réglage éventuelles avant de mettre l'appareil en marche.** Une clé laissée sur un

élément rotatif quelconque de l'appareil risque de provoquer des accidents.

- **Ne vous mettez pas en porte-à-faux. Maintenez une bonne position de travail et un bon équilibre à tout moment.** Cela vous permettra de mieux contrôler l'appareil en cas d'imprévu.
- **Habillez-vous de manière appropriée. Ne portez ni vêtements amples ou bijoux. Éloignez vos cheveux, vos vêtements et vos gants des mécanismes.** Les vêtements flottants, les bijoux et les cheveux longs risquent d'être entraînés par les éléments rotatifs de l'appareil.
- **En présence d'un système de récupération et d'évacuation de poussière, assurez-vous que celui-ci est correctement raccordé et utilisé.** L'emploi de récupérateurs de poussière sert à limiter les risques sanitaires liés à la présence de poussières.

Utilisation et entretien de l'appareil

- **Ne forcez pas l'appareil. Prévoyez l'appareil approprié en fonction des travaux envisagés.** L'appareil approprié fera le travail plus efficacement et avec un plus grand niveau de sécurité lorsqu'il tourne au régime prévu.
- **N'utilisez pas d'appareil électrique dont l'interrupteur ne contrôle pas la mise en marche ou l'arrêt.** Tout appareil électrique qui ne peut pas être contrôlé par son interrupteur est dangereux et doit être réparé.
- **Débranchez l'appareil et/ou retirez son bloc-piles avant tout réglage, stockage ou changement d'accessoires.** De telles mesures préventives limiteront les risques de démarrage accidentel de l'appareil.
- **Rangez tout appareil non utilisé hors de la portée des enfants et des individus qui n'ont pas été familiarisés avec ce type de matériel ou son mode d'emploi.** Les appareils électriques sont dangereux entre les mains d'utilisateurs non initiés.
- **Veillez à l'entretien de l'appareil. Examinez-le pour signes de grippage, de bris et de toute autre anomalie qui risquerait de nuire à son bon fonctionnement. Le cas échéant, faire réparer l'appareil avant de l'utiliser.** De nombreux accidents sont provoqués par des appareils mal entretenus.
- **N'utilisez que les accessoires spécifiquement prévus pour l'appareil en question.** Des outils de coupe bien entretenus et bien affûtés sont moins susceptibles de se gripper et sont plus faciles à manipuler.
- **Veillez à la propreté des poignées de l'appareil,**

notamment à l'absence d'huile et de graisse. Cela permettra de mieux contrôler l'appareil.

Révisions

- **Lors de sa révision, confiez l'appareil à un réparateur qualifié se servant exclusivement de pièces de rechange d'origine.** Cela sera garant de la sécurité opérationnelle de l'appareil.

Consignes de sécurité particulières

⚠ AVERTISSEMENT

Cette section contient d'importantes consignes de sécurité applicables à cet appareil en particulier.

Lisez ces précautions soigneusement avant de vous servir de la rainureuse à galets mixte type 975 afin de limiter les risques de choc électrique et d'accident grave.

CONSERVEZ CES INSTRUCTIONS !

Veillez adresser toutes questions éventuelles aux services techniques de la Ridge Tool Company en composant le (800) 519-3456 ou par mail adressé à : rttechservices@emerson.com.

Sécurité de la rainureuse à galets

- **Ne portez pas de vêtements amples. Boutonnez vos manches et vos blousons. Ne vous penchez pas sur l'appareil ou les tuyaux.** Les vêtements risquent d'être entraînés par un tuyau ou par le mécanisme de l'appareil, s'y embobiner, et provoquer de graves blessures.
- **Éloignez vos mains des galets de rainurage. Ne tentez pas de rainurer de tuyau plus court que spécifié. Ne portez pas de gants trop grands.** Vos doigts risqueraient d'être écrasés entre les galets de rainurage ou entre l'un d'entre eux et le tuyau.
- **Éloignez vos mains des extrémités du tuyau. Ne les mettez pas à l'intérieur du tuyau.** D'éventuelles bavures ou coupes tranchantes risquent de les accrocher et vous couper. Vos doigts risquent d'être écrasés entre les galets de rainurage ou entre l'un d'entre eux et le tuyau.
- **Préparez et manipulez les tuyaux de manière appropriée.** D'éventuelles bavures ou coupes tranchantes risquent de les accrocher et vous couper.
- **Soutenez le tuyau de manière appropriée.** Cela aidera à éviter son renversement éventuel, ainsi que celui du matériel.

- **Avant d'utiliser la rainureuse à galets mixte RIDGID 975, familiarisez-vous avec son mode d'emploi, celui du fabricant des raccords, et ceux de tout matériel accessoire utilisé.** Le non-respect des consignes correspondantes augmenterait les risques de dégâts matériels et/ou de graves blessures corporelles.
- **Prévoyez les équipements de protection individuelle préconisés lors de l'installation et de l'utilisation de la rainureuse à galets mixte RIDGID 975.** Les équipements prévus comprennent une protection oculaire, et éventuellement des gants de cuir, des chaussures de sécurité à coquille d'acier, un casque de chantier, etc.
- **N'utilisez cette rainureuse à galets que pour le rainurage des sections et types de tuyaux préconisés dans le mode d'emploi.** Toute autre utilisation ou modification de la rainureuse en vue d'applications non prévues augmenterait les risques d'accident.

Sécurité d'une rainureuse montée sur système d'entraînement

- **La rainureuse à galets mixte RIDGID 975 ne peut utiliser que le système d'entraînement RIDGID 300 ou la fileteuse 300 Compact.** Toute tentative d'adaptation à un autre type de système d'entraînement augmenterait, entre autres, les risques de renversement.
- **N'utilisez pas la rainureuse sur un système d'entraînement démuné de sa pédale de commande. Ne jamais bloquer la pédale de commande afin de la neutraliser.** La pédale de commande permet de mieux contrôler l'appareil en vous permettant d'arrêter le système d'entraînement en levant le pied. Les vêtements qui se prennent dans une rainureuse en marche seront entraînés dans le système. L'appareil dispose d'un couple suffisant pour entortiller les vêtements autour d'un bras ou autre partie du corps avec suffisamment de force pour briser les os et créer d'autres types de lésions.
- **Un seul individu doit commander à la fois le processus de rainurage et la pédale de commande du système d'entraînement. Ne pas se mettre à plusieurs pour utiliser cet appareil.** En cas d'enchevêtrement, l'utilisateur doit aussi pouvoir contrôler la pédale de commande.
- **N'utilisez que des systèmes d'entraînement ou fileteuses disposant d'un régime de rotation maximum de 57 t/min.** Une vitesse de rotation supérieure augmenterait les risques d'accident.
- **Assurez-vous de la bonne installation de la rain-**

ureuse et de son bon raccordement au système d'entraînement/fileteuse. Assurez-vous également de la stabilité de l'ensemble du système de rainurage et des tuyaux à rainurer. Cela limitera les risques de renversement du matériel et du tuyau.

Sécurité de la rainureuse à galets sur chantier

- **Sur chantier, la rainureuse doit être utilisée manuellement. Ne tentez pas d'utiliser de perceuses, clés chocs, etc. pour la mouvoir.** Ce type d'appareil risquerait d'endommager les rainures et augmenter les risques d'accident.
- **Lors des travaux en élévation, l'ensemble du personnel environnant doit porter le casque et s'éloigner de la zone de chute potentielle de l'appareil.** Cela évitera de graves blessures corporelles en cas de chute de la rainureuse, des tuyaux ou autres éléments environnants.

Description, caractéristiques techniques et équipements de base

Description

La rainureuse à galets mixte RIDGID 975, prévue pour le rainurage des tuyaux acier, aluminium et PVC, permet notamment le rainurage de tuyaux acier Série 10 et 40 de 1 1/4" à 6" de diamètre, ainsi que celui des tuyaux en acier inoxydable Série 10 de 1 1/4" à 6" et Série 40 de 1 1/4" à 2" de diamètre. Les rainures sont formées par la pression mécanique d'un galet de rainurage appliqué contre un tuyau soutenu par un galet de roulement. La profondeur de rainure est le seul réglage nécessaire.

Cet appareil a été spécifiquement conçu pour une utilisation sur chantier ou sur système d'entraînement RIDGID 300 à 38 ou 57 t/min. Équipé de l'adaptateur approprié (réf. 67662), l'appareil peut également utiliser une fileteuse RIDGID 300 Compact. La rainureuse à galets mixte type 975 incorpore une jauge de profondeur de rainurage brevetée qui permet d'améliorer le contrôle du rainurage en cours d'opération.

La rainureuse à galets mixte type 975, appareil portatif destiné aux interventions ponctuelles sur chantier, n'est pas prévue pour les travaux grand volume ou les travaux en atelier.

AVIS IMPORTANT Utilisée de manière appropriée, la rainureuse à galets mixte modèle 975 assure un rainurage sur tuyaux de 2" à 6" de diamètre conforme à la norme AWWA C606-06. Cela dit, le concepteur et/ou installateur du réseau reste responsable de la sélection des matériaux et moyens de raccordement appropriés. Il convient donc,

avant toute installation, d'étudier soigneusement le réseau concerné (composition chimique, température, etc.).

Caractéristiques techniques

Capacité :Tuyaux acier Ø 1 1/4" à 6", séries 10 et 40 Avec changement de galets : tuyaux cuivre Ø 2" à 4" types K, L, M et DWV

(Consulter le Tableau II pour les épaisseurs de paroi applicables)

Réglage de diamètre de rainureVis de réglage et jauge de profondeur

MécanismeVis d'avancement avec clé à cliquet de 1/2"

Systèmes d'entraînement :Système RIDGID 300 (en 38 et 57 t/min uniquement)
Fileteuse RIDGID 300 Compact (avec adaptateur)

Poids.....27,6 livres

La rainureuse à galets mixte n° 975 est protégée par plusieurs brevets américains et internationaux, notamment les brevets n° 6,272,895 et n° 6,591,652.

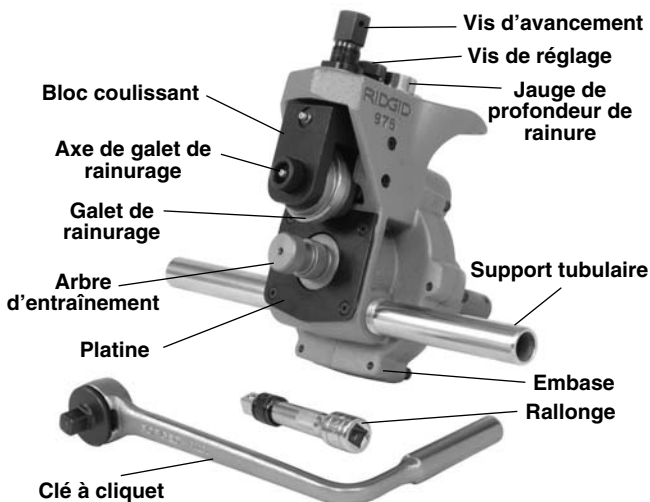


Figure 1 – Rainureuse à galets mixte n° 975

Équipements de base

Galets de rainurage et d'entraînement pour séries 10 et 40 de 1 1/4" à 6"

Clé à cliquet avec bouton de verrouillage (carré de 1/2")

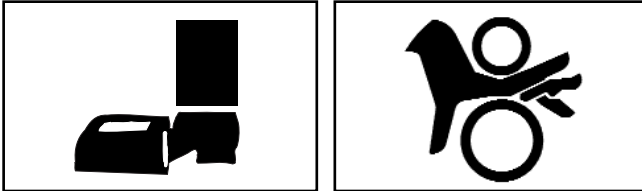
Rallonge d'entraînement à verrouillage

Supports tubulaires

Jauge de profondeur graduée incorporée

Inspection de la rainureuse à galets

⚠ AVERTISSEMENT



Examinez la rainureuse à galets avant chaque utilisation afin de corriger les problèmes éventuels et réduire les risques d'écrasement ou autres blessures, voire la détérioration de l'appareil.

Ne pas utiliser cette rainureuse à galets avec un système d'entraînement dépourvu de sa pédale de commande.

1. Si la rainureuse est montée sur système d'entraînement ou fileteuse, assurez-vous que ce dernier est débranché et que son interrupteur FOR/OFF/REV (marche avant/arrêt/marche arrière) se trouve en position OFF (arrêt). Inspectez et entretenez le système d'entraînement/fileteuse selon les consignes du mode d'emploi correspondant. Toute négligence au niveau de l'inspection ou de l'entretien du système d'entraînement augmenterait les risques de graves blessures corporelles et de dégâts matériels. Vérifiez la présence et le bon fonctionnement de la pédale de commande du système d'entraînement. Ne montez pas la rainureuse à galets sur un système d'entraînement dépourvu de sa pédale de commande.
2. Éliminez toutes traces d'huile, de graisse et de crasse apparentes sur la rainureuse à galets, sa poignée de transport et la clé à cliquet servant à l'activation de la rainureuse. Cela évitera à l'appareil ou à la clé de s'échapper de vos mains en cours d'utilisation et limitera les risques de blessures consécutives.
3. Assurez-vous que les supports tubulaires de la rainureuse sont vissés à fond.
4. Examinez la rainureuse pour signes d'éléments brisés, manquants, mal installés ou grippés qui pourraient nuire au bon fonctionnement et à la sécurité de l'appareil. Vérifiez la libre rotation du galet de rainurage et de l'arbre d'entraînement.
5. Assurez-vous de la présence et de la bonne fixation de l'étiquette de sécurité. Reportez-vous à la Figure 2 pour l'emplacement de l'étiquette de sécurité.
6. Lorsque les bossages de l'arbre d'entraînement s'encrassent, nettoyez-les avec une brosse métallique. Des bossages encrassés peuvent entraîner des pro-

blèmes de dérapage longitudinal et transversal en cours de rainurage.

7. Examinez le galet de rainurage et l'arbre d'entraînement pour signes de fissuration, d'usure ou autre détérioration. Des galets de rainurage et arbres d'entraînement endommagés risquent de produire un rainurage de mauvaise qualité ou provoquer la défaillance de l'appareil en cours d'utilisation.
8. Assurez-vous du bon fonctionnement de la clé à cliquet et de sa rallonge. Vérifiez que la clé fonctionne sans accrocs dans les deux sens. Appuyez sur le bouton de déverrouillage au centre de la clé, puis engagez-la sur le carré de la vis d'avancement. La clé doit alors se verrouiller en position. La clé doit aussi s'engager et se verrouiller sur sa rallonge, de même que cette dernière sur le carré du système d'entraînement manuel qui se trouve au dos de la rainureuse. Ce dispositif empêche le déboîtement accidentel de la clé et de sa rallonge en cours d'utilisation. Si vous utilisez une clé simple ou une clé à cliquet et rallonge sans dispositif de verrouillage, sachez que celles-ci risquent de se déboîter en cours d'utilisation.

En présence d'une anomalie quelconque, n'utilisez pas l'appareil avant sa rectification.

9. Lubrifiez la rainureuse à galets selon les consignes d'entretien du mode d'emploi, puis essuyez le galet de rainurage pour éliminer toutes traces de graisse résiduelle.
10. Examinez et entretenez l'ensemble du matériel accessoire éventuellement utilisé afin de vous assurer de son bon fonctionnement.

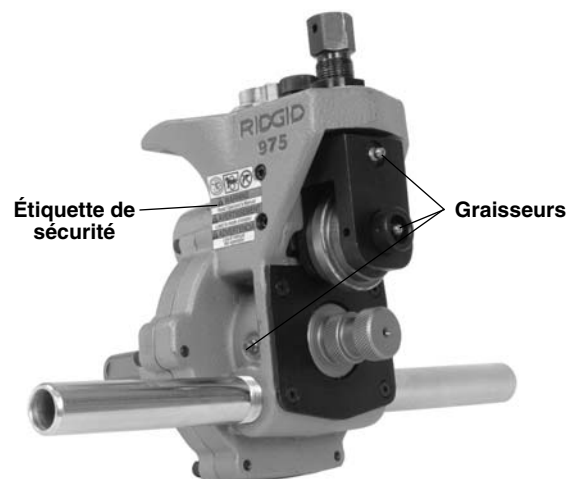
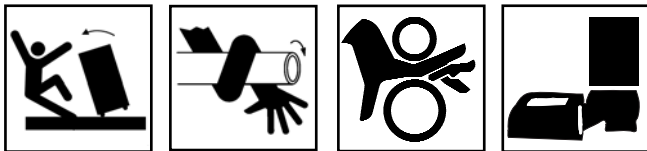


Figure 2 – Étiquette de sécurité de la rainureuse à galets mixte n° 975

Préparation de l'appareil et des lieux pour l'utilisation d'un système d'entraînement

⚠ AVERTISSEMENT



Portez systématiquement une protection oculaire pour protéger vos yeux contre la projection de débris. Portez des chaussures à coquille d'acier pour protéger vos pieds en cas de renversement de l'appareil ou des tuyaux.

Ne pas utiliser cette rainureuse à galets avec un système d'entraînement ou fileteuse dépourvus de pédale de commande. Ne jamais bloquer la pédale de commande afin de l'empêcher de contrôler le système d'entraînement. La pédale de commande est un dispositif de sécurité qui vous permet d'arrêter le système d'entraînement en lâchant le pied. Si des vêtements se prennent dans l'appareil pendant que le système d'entraînement continu à tourner, ils seront entraînés dans l'appareil. Cet appareil dispose d'un couple suffisamment élevé pour entortiller les vêtements autour d'un bras ou autre membre avec suffisamment de force pour écraser ou briser les os, voire provoquer d'autres blessures.

Préparez la rainureuse et les lieux selon les consignes suivantes afin de limiter les risques de blessure par choc électrique, incendie, renversement de l'appareil, entortillement, écrasement ou autres causes, et afin d'éviter d'endommager la rainureuse à galets.

1. Assurez-vous que les lieux présentent les caractéristiques suivantes :
 - Suffisamment d'éclairage.
 - L'absence de liquides, émanations ou poussières potentiellement inflammables. Le cas échéant, ne travaillez pas dans le secteur avant d'avoir identifié et éliminé leur source. Les systèmes d'entraînement et fileteuses ne sont pas blindés et risquent de produire des étincelles.
 - Un emplacement débarrassé, de niveau et au sec pour l'utilisateur et l'ensemble du matériel. Ne pas utiliser ce matériel lorsque vous avez les pieds dans l'eau.
 - Une prise de courant avec terre appropriée. Toute prise avec terre ou disjoncteur différentiel n'est pas nécessairement correctement reliée à la terre. En cas de doute, faire vérifier l'installation par un électricien.

- Un passage dégagé jusqu'à la prise de courant qui ne contient rien qui puisse endommager le cordon d'alimentation.

2. Nettoyez les lieux avant d'installer le matériel. Essayez toutes traces d'huile au sol.
3. Examinez le tuyau à rainurer afin de confirmer que la rainureuse à galet mixte n° 975 convient aux travaux envisagés. La rainureuse à galets mixte n° 975 est prévue pour le rainurage des tuyaux Ø 1 1/4" à 6" en acier séries 10 et 40, aluminium ou PVC. Elle permet également le rainurage des tuyaux en acier inoxydable série 10 en Ø 1 1/4" à 6", et de série 40 en Ø 1 1/4" à 2" et, avec un changement de galets, celui des tuyaux cuivre Ø 2" à 8" types K, L, M et DWV.

La rainureuse à galets mixte n° 975 peut servir in situ (sur tuyaux déjà posés ou tenus dans un étau) ou sur chantier avec un système d'entraînement type RIDGID 300, voire une rainureuse type 300 Compact, pour les applications motorisées. La rainureuse à galets mixte n° 975 n'est pas prévue pour les travaux industriels.

Des rainureuses à galets prévues pour d'autres types d'application se trouvent dans le catalogue Ridge Tool, en ligne au www.RIDGID.com ou auprès des services techniques de la Ridge Tool Company en composant le 800-519-3456.

AVIS IMPORTANT L'utilisation d'un même jeu de galets (rainurage et arbre d'entraînement) à la fois sur des tuyaux en acier au carbone et en acier inoxydable risque de contaminer l'acier inoxydable. Une telle contamination pourrait entraîner la corrosion et la défaillance prématurée des tuyaux. Afin d'éviter les risques de contamination ferreuse des tuyaux en acier inoxydable, utilisez des jeux de galets spécifiquement réservés au rainurage des tuyaux inox. A défaut, une brosse en acier inoxydable peut servir à soigneusement nettoyer les galets entre le rainurage de ces deux matériaux.

4. Effectuez l'inspection préalable du système d'entraînement ou de la fileteuse selon les consignes du manuel correspondant. Vérifiez la présence de sa pédale de commande et assurez-vous que son interrupteur FOR/OFF/REV se trouve en position « OFF ». Préparez le système d'entraînement ou la fileteuse selon les consignes du manuel correspondant. Assurez-vous de la stabilité de l'appareil et de son trépied.
5. Ouvrez le mandrin du système d'entraînement (ou fileteuse) complètement.
6. Une fois l'inspection préalable de la rainureuse à galets mixte n° 975 terminée, vérifiez qu'elle est équipée des galets de rainurage appropriés.

Montage de la rainureuse à galets mixte n° 975 sur système d'entraînement RIDGID 300

1. Lorsque le système d'entraînement utilisé est déjà équipé d'un chariot ou autres accessoires, déposez-les. Vérifiez que les supports tubulaires du système d'entraînement sont complètement déployés et verrouillés.
2. Positionnez les supports tubulaires de la rainureuse sur les supports tubulaires du système d'entraînement et, à l'extrémité de l'arbre d'entraînement de la rainureuse, dans le mandrin de l'appareil. Serrez le mandrin du système d'entraînement sur les plats de l'arbre en vérifiant le centrage de l'arbre dans le mandrin. Tournez le volant de serrage du mandrin rapide sèchement à gauche à plusieurs reprises pour assurer la retenue de l'arbre d'entraînement (Figure 3).

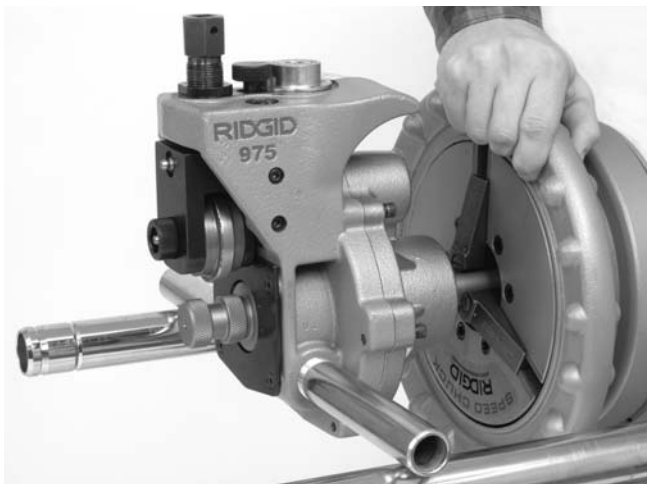


Figure 3 – Montage de la rainureuse à galets mixte n° 975 sur mandrin de système d'entraînement n° 300.

Montage de la rainureuse mixte n° 975 sur fileteuse RIDGID Compact

L'entraînement de la rainureuse par fileteuse 300 Compact nécessite l'utilisation d'un adaptateur spécial (réf. 67662). Cet adaptateur assure l'alignement de la 975 vis-à-vis de la fileteuse et son trépied, permettant ainsi le rainurage de gamme entière des tuyaux prévus. Afin d'éviter les risques de renversement ou autres accidents, ne jamais tenter d'utiliser la rainureuse 975 avec d'autres types de fileteuse.

1. Montez l'adaptateur sur l'arbre d'entraînement de la rainureuse (Figure 4) en serrant à fond ses vis de blocage sur les plats de l'arbre de la rainureuse.

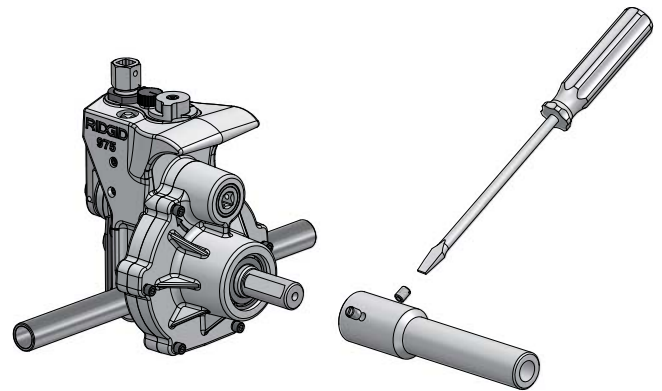


Figure 4 – Montage de l'adaptateur d'arbre d'entraînement

2. Amenez le chariot de la fileteuse 300 Compact aussi près que possible du mandrin de l'appareil. Relevez le coupe-tubes, l'alésoir et la tête de filière de l'appareil pour les dégager. Positionnez le cône de l'alésoir dans la tête de filière.
3. Positionnez l'adaptateur sur les rails de la 300 Compact, puis verrouillez-le en place à l'aide de la broche attachée.

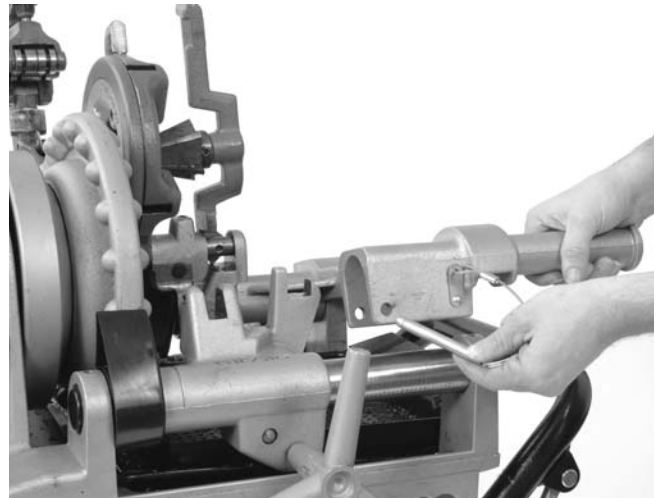


Figure 5 – Montage de l'adaptateur

4. Posez les tubulures de la 975 sur celles de l'adaptateur en positionnant la rallonge de l'arbre d'entraînement dans le mandrin de l'appareil. Fermez et serrez le mandrin de l'appareil sur la rallonge de l'arbre d'entraînement. Assurez-vous que l'arbre d'entraînement est bien centré dans le mandrin. Tournez le volant du mandrin rapide sèchement à gauche à plusieurs reprises pour assurer que l'arbre d'entraînement est bien tenu.

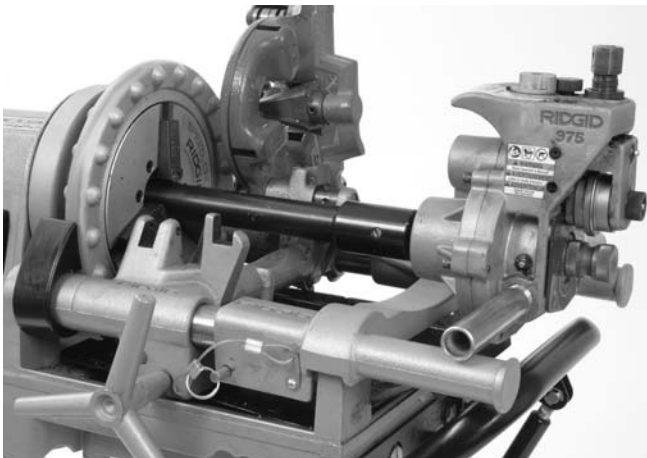


Figure 6 – Rainureuse à galets mixte n° 975 montée sur fileteuse 300 Compact

Derniers préparatifs

1. Positionnez la pédale de commande de manière à pouvoir simultanément contrôler le système d'entraînement ou fileteuse, la rainureuse et le tuyau à rainurer. Comme indiqué à la Figure 7, cette position doit permettre à l'utilisateur de :



Figure 7 – Position de travail

- Se tenir face à la rainureuse du côté de son interrupteur FOR/OFF/REV.

- Pouvoir contrôler la fonction marche/arrêt de la pédale de commande et pouvoir rapidement en retirer son pied en cas de besoin.
 - Pouvoir accéder facilement à la fois à la rainureuse, au tuyau et à la clé à cliquet sans avoir à se pencher sur la rainureuse.
2. Passez le cordon d'alimentation le long du passage dégagé décrit précédemment. Avec les mains sèches, branchez le système d'entraînement sur la prise avec terre appropriée. Maintenez toutes connexions électriques au sec et surélevées. Si le cordon d'alimentation n'est pas suffisamment long, prévoyez une rallonge électrique :
 - En bon état
 - Disposant d'une fiche à trois barrettes semblable à celle du système d'entraînement
 - Homologuée pour utilisation à l'extérieur et comportant l'inscription W ou W-A dans sa désignation (ex., SOW) indiquant son homologation pour usage à l'extérieur
 - D'une section suffisante (14 AWG jusqu'à 25 pieds de longueur, et 12 AWG de 25 à 50 pieds). Une rallonge ayant des fils conducteurs de section insuffisante risque de surchauffer, faire fondre sa gaine isolante, et provoquer un incendie ou autres dégâts.
 3. Vérifiez le bon fonctionnement du système d'entraînement de la manière suivante :
 - Mettez l'interrupteur du système d'entraînement en position FOR (marche avant). Appuyez momentanément sur la pédale de commande en faisant face à l'appareil pour vérifier que l'arbre d'entraînement tourne bien à gauche. Si le système d'entraînement tourne en sens inverse ou que la pédale de commande ne contrôle pas son fonctionnement, n'utilisez pas l'appareil avant sa réparation.
 - Appuyez sur la pédale de commande le temps de vérifier le régime de rotation de l'appareil et examiner le mécanisme pour signes de désalignement, grippage bruits anormaux ou autres anomalies potentielles. Lâchez la pédale de commande. Si le régime de rotation du système d'entraînement est supérieur à 57 t/min, ne l'utilisez pas pour le rainurage. Un régime de rotation trop élevé augmenterait les risques d'accident. En cas d'anomalie quelconque, n'utilisez pas ce matériel avant sa réparation.
 - Mettez l'interrupteur du système d'entraînement en position REV (marche arrière). Appuyez momentanément sur la pédale de commande en faisant face à l'appareil pour vérifier que l'arbre d'entraînement tourne bien à droite. Si le système d'entraînement tourne en sens inverse, n'utilisez pas l'appareil avant sa réparation.

- Ramenez l'interrupteur du système d'entraînement à la position OFF (arrêt) puis, avec les mains sèches, débranchez l'appareil.

Préparation des tuyaux

AVIS IMPORTANT Les consignes suivantes sont universelles. Reportez-vous aux instructions du fabricant du système de raccordement utilisé pour les consignes de préparation spécifiquement applicables à son produit. Le non-respect des consignes du fabricant du système de raccordement risque de nuire à la qualité et à l'étanchéité des raccords.

1. Coupez le tuyau à longueur. Respectez les indications du Tableau A visant les longueurs minimales pour chaque section de tuyau utilisé. Le rainurage de tuyaux de longueur insuffisante augmenterait les risques d'écrasement des doigts et d'enchevêtrement.

Assurez-vous d'une coupe bien d'équerre et de l'absence de bavures. Lors du rainurage, des bavures éventuelles risqueraient d'accrocher ou de couper vos gants et vos doigts. La méthode de coupe utilisée et la présence de bavures peuvent influencer la qualité et l'alignement des rainures. Ne jamais tenter de rainurer un tuyau qui a été coupé au chalumeau.

2. Toutes soudures, bavures et coutures externes ou internes doivent être meulées à fleur de tuyau sur un minimum de 2" à partir de l'extrémité du tuyau. Ne créez pas de plats dans la zone d'assise du joint afin d'éviter les problèmes d'étanchéité.
3. Éliminez toutes traces de calamine, crasse, rouille ou autre contamination sur un minimum de 2" à partir de l'extrémité du tuyau. La moindre contamination risque de colmater les bossages d'entraînement pour nuire à l'avancement et à l'alignement du tuyau en cours de rainurage.

Présentation des tuyaux

1. Vérifiez que l'interrupteur du système d'entraînement se trouve bien en position OFF.
2. Assurez-vous de pouvoir soutenir le tuyau de manière appropriée. Le *Tableau A* indique les longueurs maximales de tuyau pouvant être rainurées à l'aide d'un seul porte-tubes. Les tuyaux de longueur supérieure devront être soutenus par un minimum de deux porte-tubes. Un manque de soutien pourrait entraîner le renversement du tuyau et de l'appareil. Ne tentez pas de rainurer de tuyaux plus courts que les longueurs minimales indiquées.

Ø nominal	Longueur mini	Longueur maxi	Ø nominal	Longueur mini	Longueur maxi
1	8	36	4	8	36
1¼	8	36	4½	8	32
1½	8	36	5	8	32
2	8	36	Ø 6 ext.	10	30
2½	8	36	6	10	28
3	8	36			
3½	8	36			

Tableau A – Longueurs de tuyau minimales et maximales pouvant être rainurées à l'aide d'un seul porte-tubes (toutes dimensions en pouces)

3. Positionnez les porte-tubes nécessaires devant la rainureuse. Lorsqu'un seul porte-tubes est utilisé, positionnez-le à un peu plus de la moitié de la longueur du tuyau (en partant de la platine de couverture de la rainureuse). Lors de l'utilisation de plusieurs porte-tubes, ceux-ci devraient être placés au quart de la longueur du tuyau depuis chaque extrémité de ce dernier. Dans certains cas, des porte-tubes supplémentaires risquent d'être nécessaires. La hauteur des porte-tubes doit être réglée de manière à permettre au tuyau de s'engager sur le galet d'entraînement.
4. Assurez-vous que le galet de rainurage est suffisamment retiré pour permettre l'engagement du tuyau sur l'arbre d'entraînement. Au besoin, dévissez la vis d'avancement pour relever le galet de rainurage.
5. Après avoir enfilé le tuyau sur l'arbre d'entraînement, posez-le sur le ou les porte-tubes. Vérifiez la stabilité du tuyau.

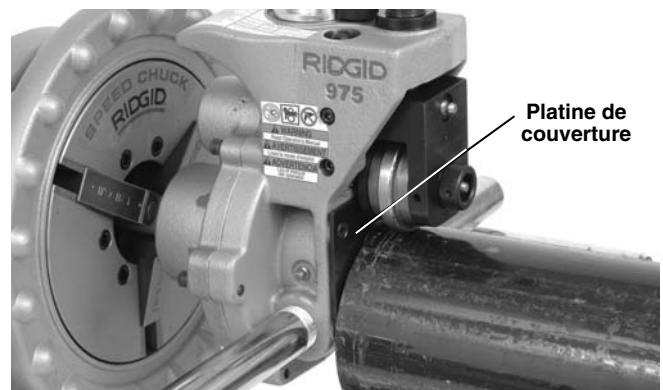


Figure 8 – Positionnement du tuyau sur l'arbre d'entraînement et contre la platine de couverture.

6. Ajustez le tuyau et les porte-tubes de manière à ce que l'extrémité du tuyau s'appuie contre la platine de couverture et que l'intérieur du tuyau repose sur l'arbre d'entraînement (*Figure 7*). L'axe du tuyau doit être aligné avec celui de l'arbre d'entraînement. Pour ce faire, il s'agit de niveler à la fois le système d'entraînement/fileteuse et le tuyau.

- Déportez légèrement l'extrémité du tuyau et les portetubes vers l'utilisateur pour obtenir une dérivation d'environ 0,5 degrés (voire, 25 mm à 3 mètres de la rainureuse). Ce léger déport aidera à aligner le tuyau en cours de rainurage (Figure 9).

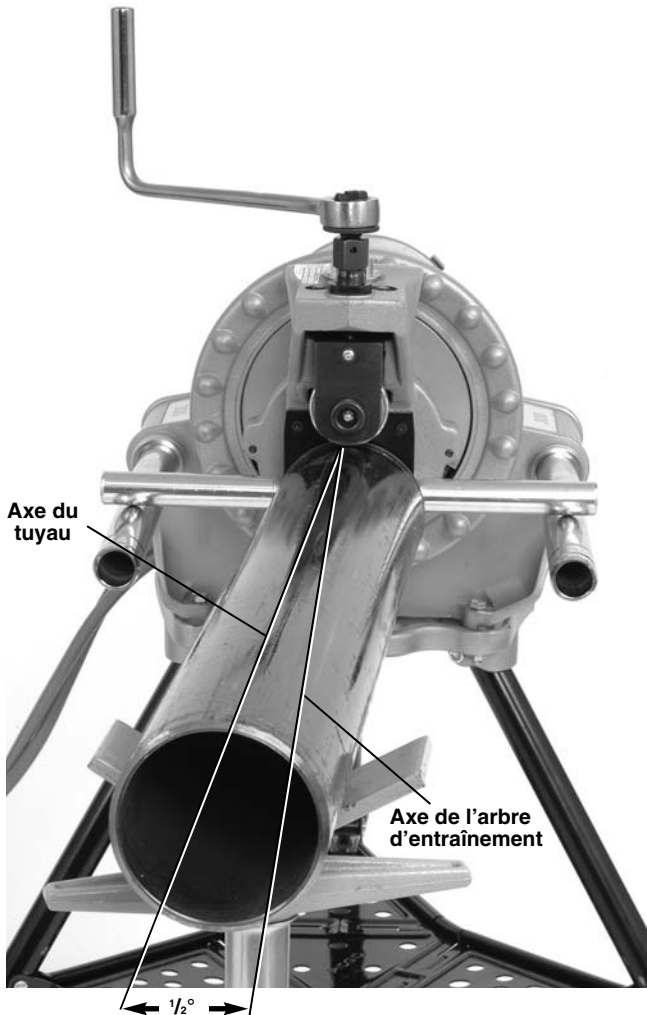


Figure 9 – Déport du tuyau de 0,5 degrés vers l'opérateur (schématisé)

- Serrez la vis d'avancement pour amener le galet de rainurage contre le tuyau, puis ajoutez-y un quart de tour de plus. Il sera peut-être nécessaire de desserrer la vis de réglage pour permettre au galet de rainurage de contacter le tuyau. A ce stade, la rainureuse et le tuyau devraient être fermement engagés.
- Examinez les lieux pour déterminer s'il est nécessaire de les barricader afin d'éloigner autrui du matériel et du tuyau. Des barrières ou barricades devraient être prévues pour créer un périmètre de sécurité d'au moins un mètre autour du système d'entraînement et du tuyau. Ce périmètre de sécurité empêchera aux passants de heurter accidentellement l'appareil et le tuyau, évitant ainsi les risques de renversement et d'entrave.

- Avec les mains sèches, branchez le cordon d'alimentation de l'appareil sur une prise avec terre appropriée.

Utilisation de la rainureuse à galets mixte n° 975 sur système d'entraînement ou fileteuse

⚠ AVERTISSEMENT



Ne portez pas de vêtements amples lors de l'utilisation de la rainureuse. Gardez vos manches et blousons boutonnés. Ne vous penchez pas sur l'appareil ou sur le tuyau. Les vêtements amples risquent de s'entortiller dans le mécanisme et provoquer des blessures par écrasement.

Éloignez vos mains des galets de rainurage. Ne tentez pas de rainurer des tuyaux plus courts que spécifiés. Ne portez pas de gants trop grands. Vos doigts risquent d'être écrasés par les galets de rainurage ou entre galet de rainurage et tuyau.

Éloignez vos mains de l'extrémité du tuyau. Ne passez pas votre main à l'intérieur du tuyau. Les bavures et rebords tranchants pourraient les accrocher et les couper. Vos doigts risquent d'être écrasés par les galets de rainurage ou entre galet de rainurage et tuyau.

Portez systématiquement une protection oculaire afin de protéger vos yeux contre les projections de débris éventuelles. Portez des chaussures à coquille d'acier pour protéger vos pieds en cas de renversement de l'appareil ou du tuyau.

Respectez les consignes du mode d'emploi afin de limiter les risques de blessure par écrasement, renversement, contusion ou autres causes.

Réglage et vérification du diamètre de rainurage

AVIS IMPORTANT En raison des variations dans les caractéristiques physiques des tuyaux, un rainurage d'essai s'impose avant le premier rainurage du jour, et lors de chaque changement de section, série ou composition de tuyau. Dans la mesure où la jauge de diamètre de rainure ne donne qu'une indication approximative du diamètre réel, ce dernier doit être mesuré et confirmé.

- Vérifiez l'installation du matériel et du tuyau. Une mauvaise préparation de tuyau risquerait de nuire à la précision initiale de la jauge de profondeur. Le galet de rainurage doit alors toucher le tuyau.
- Réglez la jauge de profondeur de rainurage de façon à amener la graduation applicable sous la tête de la vis de réglage (Figure 10A). Cette jauge de pro-

fondeur est prévue pour les tuyaux acier. Consultez la section *Contrôle de la profondeur de rainurage sur tuyaux cuivre lors du rainurage du cuivre*.

3. Serrez la vis de réglage jusqu'à ce que sa tête touche la graduation de la jauge de profondeur. Tournez la jauge de profondeur de rainurage à la position de rainurage (Figure 10B). Si la jauge n'est pas en position de rainurage, elle empêchera le rainurage et risque d'être endommagée.



Figure 10A – Amenez la graduation applicable de la jauge sous de la tête de la vis de réglage



Figure 10B – Jauge en position de rainurage

4. Effectuez un échantillon de rainure selon les indications de la section *Façonnage des rainures*.
5. Mesurez le diamètre de la rainure. La mesure du diamètre d'une rainure se fait le plus souvent à l'aide d'un ruban de circonférence (voir la section «Accessoires»). Enveloppez le ruban bien à plat autour du fond de la rainure pour mesurer le diamètre de la rainure (Figure 11).



Figure 11 – Vérification du diamètre de rainure à l'aide d'un ruban de circonférence

6. Comparez le diamètre de rainurage ainsi mesuré à celui indiqué au *Tableau 1* ou à celui précisé par le fabricant du joint d'étanchéité en question. Si le dia-

mètre de rainure se trouve au-delà des limites prescrites, il sera nécessaire de jouer sur la vis de réglage pour obtenir le diamètre voulu.

- Pour augmenter le diamètre de la rainure, serrez la vis de réglage.
 - Pour réduire le diamètre de la rainure, desserrez la vis de réglage.
 - Chaque quart de tour de la vis de réglage modifie le diamètre de rainurage par approximativement 0,02".
7. Répétez les étapes 4 à 6 jusqu'à ce que le diamètre de la rainure se trouve dans les limites acceptables. Si la rainure initiale est trop importante, la Rainure peut être réglée afin de la réduire. Si la rainure est trop petite, il sera nécessaire de façonner une autre rainure. La précision diamétrale des rainures est indispensable à l'étanchéité. Des rainures hors normes pourraient entraîner la défaillance des joints d'étanchéité.

Façonnage des rainures

1. Vérifiez l'installation du matériel et du tuyau.



Figure 12 – Position de travail

2. Tenez-vous dans la position de travail indiquée. Positionnez la pédale de commande du système d'entraînement de manière à pouvoir contrôler simultanément le système d'entraînement, la rainreuse et

le tuyau. Comme indiqué à la *Figure 12*, cette position de travail doit permettre à l'utilisateur :

- De se positionner face à la rainureuse et accéder à l'interrupteur FOR/OFF/REV.
 - De commander la fonction marche/arrêt de la pédale de commande, et, au besoin, de la lâcher instantanément.
 - D'accéder sans encombre à la rainureuse et à la clé à cliquet sans avoir à se pencher sur l'appareil.
 - De stabiliser le tuyau à l'aide de sa main droite si nécessaire.
 - De maintenir une bonne assise et un bon équilibre.
3. Mettez l'interrupteur FOR/OFF/REV en position REV (marche arrière). **N'utilisez pas la rainureuse à galets mixte n° 975 en position FOR (marche avant). En raison de la conception de la rainureuse n° 975, cela aurait pour effet d'envoyer le tuyau en spirale et risque de le faire tomber de la rainureuse.**
 4. Mettez une main sur la tête de la clé à cliquet ou la molette de la vis d'avancement, tout en tenant sa poignée de l'autre.
 5. Appuyez sur la pédale de commande pour lancer le système d'entraînement. Observez la rotation du tuyau en vous assurant qu'il reste plaqué contre la platine de couverture de la rainureuse. Si le tuyau commence à s'éloigner de la platine, lâchez la pédale de commande afin d'éviter que le tuyau parte en spirale et qu'il tombe de l'appareil. Au besoin, préparez le tuyau à nouveau selon les indications de la section *Préparation des tuyaux*. Si l'extrémité du tuyau est déformée, il sera nécessaire de la tronçonner à nouveau et de préparer une nouvelle rainure.
 6. Après une rotation complète du tuyau, serrez la vis d'avancement d'un quart de tour supplémentaire. Continuez à observer l'extrémité du tuyau pour vous assurer qu'elle reste plaquée contre la platine de couverture. Ne serrez pas la vis d'avancement de plus d'un quart de tour par rotation. Le serrage trop agressif de la vis d'avancement risque de trop évaser la rainure ou faire partir le tuyau en spirale et le déloger de l'arbre d'entraînement.
 7. Continuez de serrez la vis d'avancement d'un quart de tour par rotation jusqu'à ce que la tête de la vis d'avancement bute contre le sommet de la rainureuse. Arrêtez de serrer la vis d'avancement dès qu'elle atteint le sommet de la rainureuse afin d'éviter d'endommager la vis de réglage. Laissez tourner le tuyau sur deux rotations complètes supplémentaires en cette position afin d'assurer l'uniformité de la profondeur de rainure. tations in this position to insure uniform groove depth.

8. Lâchez la pédale de commande et mettez l'interrupteur FOR/OFF/REV en position OFF.
9. Dévissez la vis d'avancement afin de ramener le galet de rainurage suffisamment pour retirer le tuyau de l'appareil.
10. Examinez la rainure.
 - Assurez-vous que le rainurage est complet.
 - Vérifiez le diamètre de la rainure afin de vous assurer de sa conformité aux normes prévues.
 - Vérifiez tout autre point de contrôle demandé par le fabricant du joint.

En cas d'anomalie, cette rainure ne pourra pas être utilisée.

Réglage du diamètre de rainure pour tuyaux en cuivre

La jauge de profondeur de rainure de la 975 ne peut pas servir à la vérification de profondeur de rainure sur les tuyaux en cuivre. Elle donnerait de fausses indications de diamètre.

1. Vissez la vis d'avancement jusqu'à amener le galet de rainurage contre le tuyau, puis ajoutez-y un quart de tour supplémentaire. Il sera peut-être nécessaire de desserrer la vis de réglage afin de permettre au galet de rainurage de descendre jusqu'au tuyau. Le tuyau et la rainureuse devrait alors être solidaires l'un de l'autre.
2. Assurez-vous que la jauge de profondeur de rainure se trouve en position de rainurage (*Figure 10B*).
3. Tournez la vis de réglage jusqu'à ce qu'elle arrive à fleur de la platine supérieure de la rainureuse.
4. Consultez le Tableau B pour déterminer le nombre de tours qu'il faudra ramener la vis de réglage en fonction du diamètre et type du tuyau en question. Pour un tuyau en cuivre série « L » de 4 pouces de diamètre, par exemple, il sera nécessaire de ramener la vis de réglage de 1¹/₄ tours.

Réglage de profondeur pour le rainurage des tuyaux en cuivre

(Tours de vis)

Dia.	K	L	M	DWV
2-2.5"	⁷ / ₈	⁷ / ₈	⁵ / ₈	⁵ / ₈
3"	1 ¹ / ₁₆	1 ¹ / ₁₆	1 ¹ / ₁₆	1 ¹ / ₁₆
4"	1 ¹ / ₄	1 ¹ / ₄	1 ¹ / ₄	1 ¹ / ₈
5"	1 ¹ / ₂	1 ¹ / ₂	1 ¹ / ₂	1 ¹ / ₂
6"	1 ¹³ / ₁₆	1 ³ / ₄	1 ³ / ₄	1 ³ / ₄
8"	2 ¹ / ₂	2 ³ / ₈	2 ¹ / ₈	2 ¹ / ₈

Tableau B – Réglage de profondeur pour le rainurage des tuyaux en cuivre

5. Revenez à l'article 4 de la section « Réglage et mesure des diamètres de rainure ».

Conseils visant les problèmes d'alignement avec la rainureuse à galets mixte n° 975

Les problèmes les plus souvent rencontrés lors du rainurage d'un tuyau sont sa tendance à partir en spirale, à «trotter» ou à se désaligner. Le maintien de l'alignement du tuyau dépend du respect absolu de l'ensemble des instructions données. Si, même en respectant ces instructions, le tuyau se désaligne toujours, il existe plusieurs options pour y remédier.

- Augmentez légèrement de déport axial du tuyau de 1/2 degré à 1 degré (*Figure 9*).
- Appuyez légèrement sur le tuyau durant le rainurage pour maintenir son alignement. Cela n'est généralement nécessaire que sur les petites longueurs de tuyau. Pour ce faire, portez un gant en cuir intact afin tenir le centre du tuyau comme indiqué à la *Figure 13*. Il sera peut-être alors nécessaire d'arrimer le trépied du système d'entraînement/fileteuse au sol afin d'éviter qu'il bouge durant le rainurage. Afin d'éviter les risques de blessure par écrasement, éloignez vos mains du galet de rainurage et des extrémités du tuyau, et ne tentez pas de rainurer de tuyaux plus courts que recommandé.



Figure 13 – Appuyer sur le tuyau pour maintenir son alignement durant le rainurage.

- Consultez par ailleurs la section Dépannage pour une liste complète des causes de désalignement et les solutions correspondantes.

Préparation de l'appareil et du chantier pour les interventions in situ.

⚠ AVERTISSEMENT



Portez systématiquement une protection oculaire pour protéger vos yeux contre la projection de débris. Portez des chaussures à coquille d'acier pour protéger vos pieds en cas de renversement de l'appareil ou des tuyaux. Portez le casque lorsque vous travaillez sur chantier.

Préparez la rainureuse et le chantier selon les consignes suivantes afin de limiter les risques de blessure par choc électrique, incendie, renversement de l'appareil, entortillement, écrasement ou autres causes, et afin d'éviter d'endommager la rainureuse à galets.

1. Assurez-vous que les lieux présentent les caractéristiques suivantes :
 - Suffisamment d'éclairage.
 - L'absence de liquides, émanations ou poussières potentiellement inflammables. Le cas échéant, ne travaillez pas dans le secteur avant d'avoir identifié et éliminé leur source. Le système d'entraînement RIDGID 300 Power Drive n'est pas blindé et risque de produire des étincelles.
 - Un emplacement débarrassé, de niveau et au sec pour l'utilisateur et l'ensemble du matériel. Ne pas utiliser ce matériel lorsque vous avez les pieds dans l'eau.
2. Nettoyez les lieux avant d'installer le matériel. Essayez toutes traces d'huile au sol.
3. Examinez le tuyau à rainurer afin de confirmer que la rainureuse à galet mixte n° 975 convient aux travaux envisagés. La rainureuse à galets mixte n° 975 est prévue pour le rainurage des tuyaux Ø 1/4" à 6" en acier séries 10 et 40, aluminium ou PVC. Elle permet également le rainurage des tuyaux en acier inoxydable de la série 10 en Ø 1/4" à 6", et de la série 40 en Ø 1/4" à 2".

La rainureuse à galets mixte n° 975 peut servir sur chantier (sur tuyaux déjà posés ou tenus dans un

étau) ou avec un système d'entraînement type RIDGID 300 ou fileteuse 300 Compact pour les applications motorisées. La rainureuse à galets mixte n° 975 n'est pas prévue pour les travaux industriels.

4. Lors des rainurages in situ, assurez-vous qu'il y aura suffisamment de place pour permettre à la rainureuse à galets mixte n° 975 d'évoluer. Pour que la rainureuse puisse tourner autour d'un tuyau solidement soutenu, il lui faut :
 - Un minimum de 6,5 pouces d'espace libre autour du tuyau à rainurer.
 - Une saillie de tuyau d'au moins 2,5 pouces par rapport aux obstacles éventuels (murs, etc.).
 - Un recul d'au moins 9,5 pouces pour permettre le montage de la rainureuse sur le tuyau.

Des rainureuses à galets prévues pour d'autres types d'application se trouvent dans le catalogue Ridge Tool, en ligne au www.RIDGID.com ou auprès des services techniques de la Ridge Tool Company en composant le 800-519-3456.

AVIS IMPORTANT L'utilisation d'un même jeu de galets (rainurage et arbre d'entraînement) à la fois sur des tuyaux en acier au carbone et en acier inoxydable risque de contaminer l'acier inoxydable. Une telle contamination pourrait entraîner la corrosion et la défaillance prématurée des tuyaux. Afin d'éviter les risques de contamination ferreuse des tuyaux en acier inoxydable, utilisez des jeux de galets spécifiquement réservés au rainurage des tuyaux inox. À défaut, une brosse en acier inoxydable peut servir à soigneusement nettoyer les galets entre le rainurage de ces deux matériaux.

Préparation des tuyaux

AVIS IMPORTANT Il s'agit ici de consignes généralisées. Reportez-vous systématiquement aux instructions du fabricant du système de raccordement utilisé pour les consignes de préparation de tuyau applicables. Le non-respect des consignes du fabricant du système de raccordement risque de nuire à la qualité et à l'étanchéité des raccords produits.

1. Lors du rainurage d'un tuyau sur canalisation existante, assurez-vous que le réseau est vide et dépressurisé. Renseignez-vous sur son contenu et sur les risques éventuels que celui-ci représente.
2. Coupez le tuyau à longueur.

Assurez-vous d'une coupe bien d'équerre et de l'absence de bavures. Lors du rainurage, des bavures éventuelles risqueraient d'accrocher ou de couper vos gants et vos doigts. La méthode de coupe utilisée et la présence de bavures peuvent influencer la qualité et l'alignement des rainures. Ne jamais tenter de rainurer un tuyau qui a été coupé au chalumeau.

3. Toutes soudures, bavures et coutures internes ou externes éventuelles doivent être meulées à fleur de tuyau sur un minimum de 2" à partir de l'extrémité du tuyau. Ne créez pas de plats dans la zone d'assise du joint afin d'éviter les problèmes d'étanchéité.
4. Éliminez toutes traces de calamine, crasse, rouille ou autre contamination sur un minimum de 2" à partir de l'extrémité du tuyau. La moindre contamination risque de colmater les bossages d'entraînement pour nuire à l'avancement et à l'alignement du tuyau en cours de rainurage.
5. Assurez-vous que le tuyau à rainurer est solidement monté. Le tuyau doit pouvoir supporter, sans bouger, le poids de la rainureuse (28 livres), ainsi que l'effort et le couple produits par le rainurage. Dans certains cas, il sera peut-être préférable de retirer le tuyau et le rainurer sur un étau. Dans d'autres cas, il sera peut-être nécessaire de renforcer ses supports de manière temporaire ou permanente. Lors de l'utilisation d'un étau à tuyaux, assurez-vous qu'il est bien arrimé et qu'il ne risque pas de se renverser en cours de rainurage. Pour les tuyaux de grande longueur, prévoyez les porte-tubes appropriés pour les soutenir.

Montage de la rainureuse sur le tuyau

1. Vérifiez que la rainureuse à galets mixte n° 975 a bien été inspectée. Assurez-vous que les supports tubulaires sont bien vissés à fond dans le bâti de la rainureuse ou, le cas échéant, enlevez-les pour mieux accéder aux endroits exigus. Ensuite, installez la clé à cliquet sur la vis d'avancement, puis la rallonge dans le carré d'entraînement manuel qui se trouve au dos de la rainureuse. Assurez-vous que la clé et la rallonge sont bien engagées.
2. Assurez-vous qu'il y a suffisamment d'espace entre le galet de rainurage et l'arbre d'entraînement pour accommoder l'épaisseur du tuyau. Au besoin, dévissez la vis d'avancement pour ramener le galet de rainurage.
3. Tenez la rainureuse fermement entre vos mains. Ne tentez pas de la soulever par la clé à cliquet. Positionnez l'arbre d'entraînement dans le tuyau en vous assurant que la platine de couverture vient bien à buter contre l'extrémité du tuyau (*Figure 14*). Serrez la vis d'avancement manuellement jusqu'à ce que le galet de rainurage vienne s'appuyer contre le tuyau, puis ajoutez-y un quart de tour à l'aide de la clé à cliquet. Assurez-vous que la rainureuse est fermement accroché et que sa platine de couverture est plaquée contre l'extrémité du tuyau. Sinon, répétez le processus. Lors des travaux in situ, vérifiez systéma-

tiquement la bonne tenue de la rainureuse afin de l'empêcher de tomber.

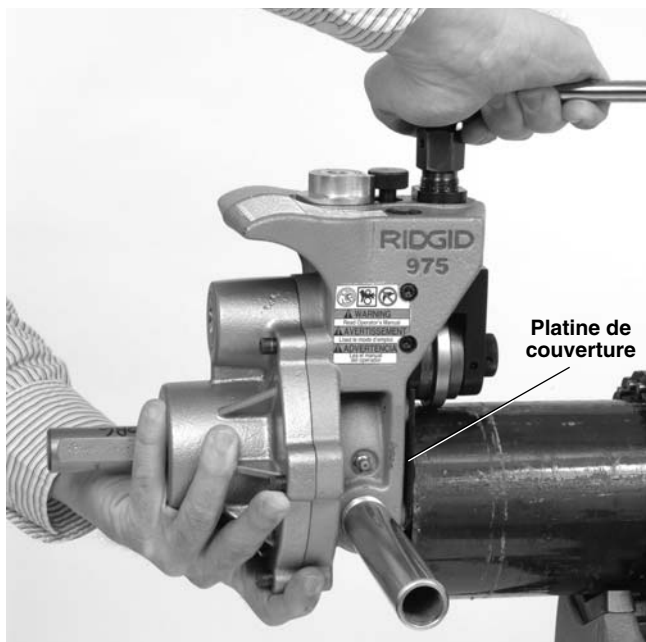


Figure 14 – Tenez la rainureuse fermement en position lors du serrage de la vis d'avancement.

Utilisation in situ de la rainureuse à galets mixte n° 975

⚠ AVERTISSEMENT



N'utilisez que le système d'entraînement manuel lors des rainurages à pied d'uvre. Ne jamais utiliser de système d'entraînement mécanique (perceuse électrique, clés choc, etc.) pour la mouvoir in situ. L'utilisation de moyens mécaniques risquerait d'endommager la rainureuse et augmenterait les risques d'accident.

Ne portez pas de vêtements amples lors de l'utilisation de la rainureuse. Gardez vos manches et blousons boutonnés. Ne vous penchez pas sur l'appareil ou sur le tuyau. Les vêtements amples risquent de s'entortiller dans le mécanisme et provoquer des blessures par écrasement.

Éloignez vos mains des galets de rainurage. Ne tentez pas de rainurer des tuyaux plus courts que spécifiés. Ne portez pas de gants trop grands. Vos doigts risquent d'être écrasés par les galets de rainurage ou entre galet de rainurage et tuyau.

Éloignez vos mains de l'extrémité du tuyau. Ne passez pas votre main à l'intérieur du tuyau. Les bavures et rebords tranchants pourraient les accrocher et les couper. Vos doigts risquent d'être écrasés par les galets de rainurage ou entre galet de rainurage et tuyau.

Portez systématiquement une protection oculaire afin de protéger vos yeux contre les projections de débris éventuelles. Portez des chaussures à coquille d'acier pour protéger vos pieds en cas de renversement de l'appareil ou du tuyau.

Respectez les consignes du mode d'emploi afin de limiter les risques de blessure par écrasement, renversement, contusion ou autres causes.

Réglage et vérification du diamètre de rainurage

AVIS IMPORTANT En raison des variations dans les caractéristiques physiques des tuyaux, un rainurage d'essai s'impose avant le premier rainurage du jour, et lors de chaque changement de section, série ou composition de tuyau. Dans la mesure où la jauge de diamètre de rainure ne donne qu'une indication approximative du diamètre réel, ce dernier doit être mesuré et confirmé.

1. Vérifiez l'installation du matériel et du tuyau. Une mauvaise préparation de tuyau risquerait de nuire à la précision initiale de la jauge de profondeur. Le galet de rainurage doit alors toucher le tuyau.
2. Réglez la jauge de profondeur de rainurage de façon à amener la graduation applicable sous la tête de la vis de réglage (Figure 15A). La jauge de profondeur est prévue pour les tuyaux en acier. Reportez-vous à la section « *Diamètre de rainurage pour tuyaux cuivre* » lors du rainurage des tuyaux en cuivre.
3. Serrez la vis de réglage jusqu'à ce que sa tête touche la graduation de la jauge de profondeur. Tournez la jauge de profondeur de rainurage à la position de rainurage (Figure 15B). Si la jauge n'est pas en position de rainurage, elle empêchera le rainurage et risque d'être endommagée.



Figure 15A – Amenez la graduation applicable de la jauge sous de la tête de la vis de réglage



Figure 15B – Jauge en position de rainurage

4. Effectuez un échantillon de rainure selon le processus décrit à la section *Façonnage des rainures*.
5. Mesurez le diamètre de la rainure. La mesure du diamètre d'une rainure se fait le plus souvent à l'aide d'un ruban à circonférence (voir la section «Accessoires»). Enveloppez le ruban bien à plat autour du fond de la rainure pour mesurer le diamètre de la rainure (Figure 16).



Figure 16 – Vérification du diamètre de rainure à l'aide d'un ruban à circonférence

6. Comparez le diamètre de rainurage ainsi mesuré à celui indiqué au *Tableau 1* ou à celui précisé par le fabricant du joint d'étanchéité en question. Si le diamètre de rainure se trouve au-delà des limites prescrites, il sera nécessaire de jouer sur la vis de réglage pour obtenir le diamètre voulu.
 - Pour augmenter le diamètre de la rainure, serrez la vis de réglage.
 - Pour réduire le diamètre de la rainure, desserrez le vis de réglage.
 - Chaque quart de tour de la vis de réglage modifie le diamètre de rainurage par approximativement 0,02".
7. Répétez les étapes 4 à 6 jusqu'à ce que le diamètre de la rainure se trouve dans les limites acceptables. Si la rainure initiale est trop importante, la Rainure peut être réglée afin de la réduire. Si la rainure est trop petite, il sera nécessaire de façonner une autre rainure. La précision diamétrale des rainures est indispensable à l'étanchéité. Des rainures hors normes pourraient entraîner la défaillance des joints d'étanchéité.

Façonnage des rainures

1. Vérifiez l'installation appropriée du matériel et du tuyau.
2. Mettez-vous en position de travail en répartissant bien votre poids et en maintenant un bon équilibre.
3. Vérifiez que la vis d'avancement a bien été serrée d'un quart de tour.
4. Enlevez la clé à cliquet de la vis d'avancement et installez-y la rallonge. A noter que l'on peut se dispenser de la rallonge dans les endroits étriqués.
5. Tournez la clé à droite (vu de l'arrière de la rainureuse), dans le sens des flèches estampées au dos de la rainureuse (Figure 17). Observez la rotation de la rainureuse en vérifiant que sa platine de couverture reste bien plaquée contre l'embout du tuyau. Si la rainureuse commence à s'éloigner du tuyau, arrêtez de tourner la clé à cliquet afin d'éviter que la rainureuse parte en spirale et tombe du tuyau. Appuyez sur le support tubulaire de la rainureuse pour aider à ramener sa platine de couverture contre l'embout du tuyau. Au besoin, réinstallez la rainureuse sur le tuyau selon les indications de la section *Montage de la rainureuse sur le tuyau*. Si l'embout du tuyau a été déformé, il sera nécessaire de le tronçonner à nouveau et de préparer une nouvelle rainure.

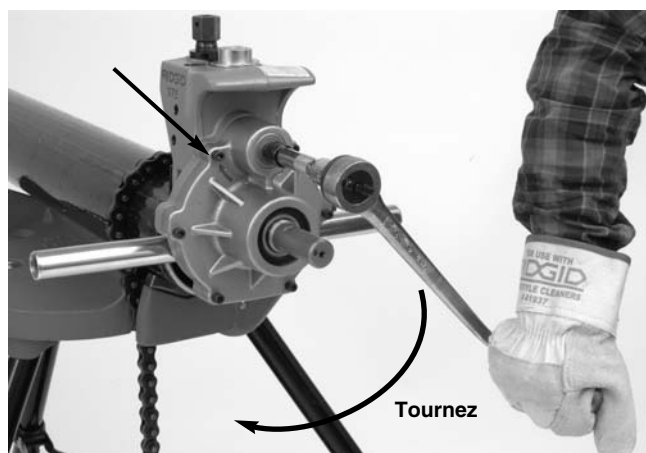


Figure 17 – Tournez la clé dans le sens des flèches

6. Continuez de tourner la clé jusqu'à ce que la rainureuse ait achevée au moins une rotation complète autour du tuyau. Enlevez la clé de l'extension, puis engagez la sur la vis d'avancement. Ne serrez pas la vis d'avancement de plus d'un quart de tour par révolution de la rainureuse. Le serrage agressif de la vis d'avancement risquerait d'évaser la rainure de manière excessive et faire trotter la rainureuse jusqu'à ce qu'elle tombe du tuyau. Continuez d'actionner la clé pour faire tourner la rainureuse autour du tuyau,

tout en contrôlant la position de la platine de couverture par rapport à l'extrémité du tuyau.

7. Continuez de serrer la vis d'avancement d'un quart de tour par révolution de la rainureuse autour du tuyau jusqu'à ce que la tête de la vis de réglage bute contre le sommet de la rainureuse. Arrêtez de serrer la vis d'avancement dès qu'elle atteint le sommet de la rainureuse afin d'éviter d'endommager la vis de réglage. Laissez tourner le tuyau sur deux révolutions complètes supplémentaires en cette position afin d'assurer l'uniformité de la profondeur de rainure.
8. Ramenez la clé à cliquet sur la vis d'avancement. Tenez fermement la rainureuse, puis tournez la vis d'avancement à gauche pour éloigner le galet de rainurage du tuyau. Ne laissez pas tomber la rainureuse.
9. Examinez la rainure.
 - Assurez-vous que le rainurage est complet.
 - Vérifiez le diamètre de la rainure afin de vous assurer qu'elle tombe dans les limites prévues.
 - Vérifiez tout autre article demandé par le fabricant du joint.

En cas d'anomalie, n'utilisez pas la rainure.

Consignes d'entretien

⚠ AVERTISSEMENT

Assurez-vous que l'interrupteur du système d'entraînement se trouve en position OFF et que l'appareil a été débranché avant toute intervention ou réglage.

Lubrification

Lubrifiez la rainureuse à galets mixte n° 975 mensuellement à l'aide d'une graisse universelle de qualité.

- Les graisseurs se trouvent du côté «opérateur» de l'embase, devant le bloc coulissant, et en bout de l'axe du galet de rainurage (Figure 2). Graissez-les à refus (voire, jusqu'au premier signe de dégorgeement de graisse).
- Appliquez une légère couche de graisse sur la vis d'avancement.
- La boîte d'engrenages de la rainureuse à galets mixte n° 975 est étanche et ne nécessitera pas de graissage tant qu'elle n'aura pas été ouverte.

Reportez-vous à la section *Inspection de l'appareil pour des renseignements complémentaires visant son entretien.*

Nettoyage de l'appareil

Nettoyez les bossages de l'arbre d'entraînement au moins quotidiennement, et plus souvent si nécessaire, à l'aide d'une brosse métallique.

Remplacement des galets

⚠ AVERTISSEMENT Lors du remplacement des galets ou des éléments associés, vérifiez que les repères des galets de rainurage et d'entraînement correspondent. Des éléments dépareillés peuvent nuire à la qualité du rainurage et à l'étanchéité du raccord.

Retirez la rainureuse du système d'entraînement ou de la fileuse et posez-la sur un établi stable.

Outillage nécessaire :

- Clé 6-pans de 3/8"
- Clé 6-pans de 3/32"
- Pince à cerclip de 0,070"

Dépose et montage du galet d'entraînement

1. Retirez les 6 vis de retenue du carter.
2. Retirez le carter (Figure 18).

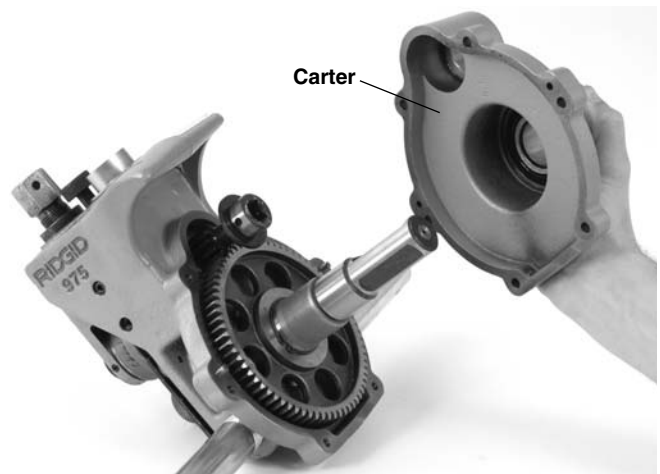


Figure 18 – Retrait du carter

3. Retirez le pignon.
4. Retirez l'arbre d'entraînement via l'arrière de la rainureuse 975.
5. Enlevez le cerclip de l'arbre d'entraînement et retirez la couronne dentée (Figure 19).

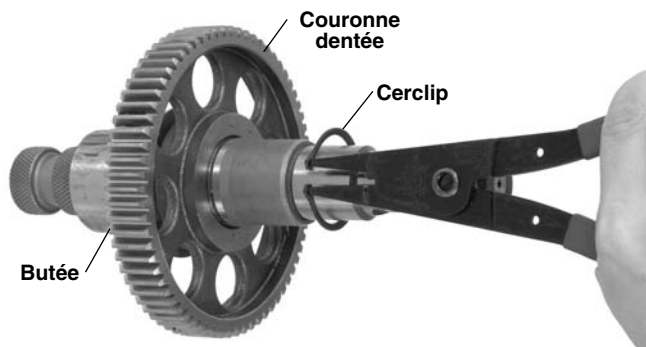


Figure 19 – Retrait du cerclip

6. Retirez la clavette, puis la butée.
7. Enfillez la butée sur le nouvel arbre d'entraînement.
8. Enfoncez la clavette, puis montez la couronne dentée.
9. Installez le cerclip dans la rainure de l'arbre d'entraînement.
10. Positionnez l'arbre d'entraînement assemblé dans le bâti de la rainureuse.
11. Enduisez les paliers et les dents de la couronne d'une copieuse couche de graisse universelle de bonne qualité.
12. Introduisez le pignon et remontez le carter. Serrez les vis du carter à un couple de 12 à 16 ft-lbs.

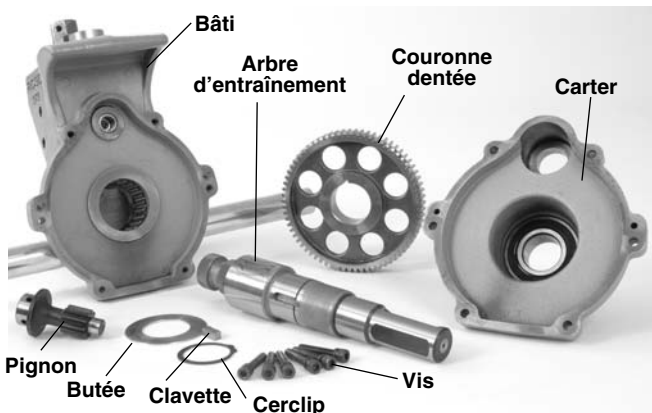


Figure 20 – Composants de la rainureuse à galets n° 975

Dépose et montage du galet de rainurage

1. Retirez la vis de retenue de l'axe du galet de rainurage.
2. Retirez l'axe du galet de rainurage de l'étrier, puis enlevez le galet de rainurage et la butée.
3. Introduisez la nouvelle butée et le galet de rainurage de remplacement dans l'étrier, tout en vérifiant que le cerclip intérieur du galet de rainurage est face au bâti de la rainureuse, et que le galet de rainurage se trouve entre la butée et le bâti.

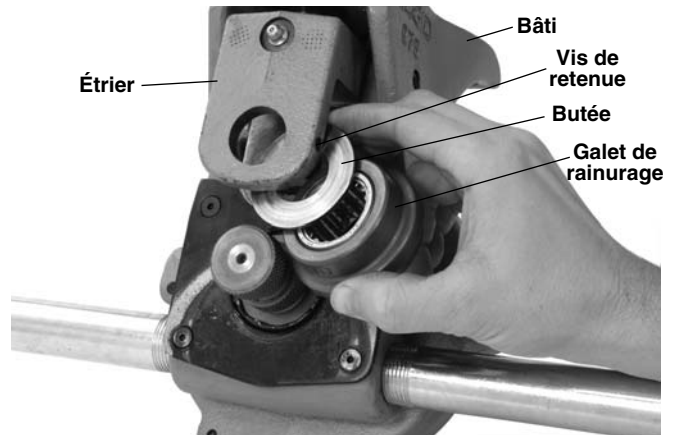


Figure 21

4. Remontez l'axe du galet de rainurage et sa vis de retenue.
5. Vérifiez l'alignement des galets de rainurage et d'entraînement. S'ils ne s'alignent pas, vérifiez l'orientation du galet de rainurage et de la butée.
6. Graissez l'ensemble selon les indications de la section *Lubrification*.

Accessoires

⚠ AVERTISSEMENT

Les produits suivants sont les seuls à être compatibles avec la rainureuse à galet mixte n° 975. Toute tentative d'utilisation d'accessoires compatibles avec d'autres types d'appareil risque de compromettre la sécurité de fonctionnement de la rainureuse à galets mixte n° 975. Afin de limiter les risques d'accident grave, n'utilisez que les accessoires spécifiquement prévus pour fonctionner avec la rainureuse à galets mixte n° 975, tels que ceux répertoriés ci-après.

Réf. catalogue	Description
41855	Système d'entraînement type 300 Power Drive, 115V, 25 à 60 Hz, 38 t/min
75075	Système d'entraînement type 300 Power Drive, 115V, 23 à 60 Hz, 57 t/min
42360	Support n° 1206 pour système d'entraînement type 300
66947	300 Compact, 115V, 23 à 60 Hz, 38 t/min
73447	300 Compact, 115V, 23 à 60 Hz, 52 t/min
67662	Adaptateur pour 300 Compact
67657	Support pliant n° 250 pour 300 Compact
72037	Étau à chaîne portable n° 480 sur trépied
56662	Porte-tubes en V surélevé type VJ-99
76822	Ruban à circonférence (impérial)
76827	Ruban à circonférence (métrique)
30708	Rallonge à verrouillage, carré de 1/2"
30703	Clé à cliquet avec carré de 1/2" et poignée à 90°
32833	Galets de rainurage et d'entraînement pour tuyaux cuivre type K, L, M et DWV de 2" à 8"

Stockage de l'appareil

⚠ AVERTISSEMENT Remisez l'appareil dans un local sous clé hors de la portée des enfants et autres individus non familiarisés avec le fonctionnement des rainureuses à galets. Cet appareil peut devenir dangereux entre les mains d'utilisateurs novices.

Service après-vente

⚠ AVERTISSEMENT

Une intervention mal exécutée risque de rendre ce type d'accessoire dangereux.

La rubrique « Entretien de l'appareil » devrait couvrir la majorité des besoins d'entretien de cet appareil. Veuillez adresser tout problème qui n'est pas couvert sous cette rubrique à un réparateur RIDGID agréé.

Aucunes pièces de rechange ne sont disponibles pour ces accessoires. En cas de besoin de pièces, Tout accessoire ayant besoin de pièces de rechange devrait être mis au rebut et remplacé par un élément neuf.

Veuillez adresser toutes questions éventuelles visant l'entretien ou la réparation de ce matériel aux coordonnées suivantes :

Ridge Tool Company
Technical Service Department
400 Clark Street
Elyria, Ohio 44035-6001
Tél. (800) 519-3456
E-mail: rtctechservices@emerson.com

Pour obtenir les coordonnées du réparateur autorisé le plus proche, veuillez consulter la Ridge Tool Company au (800) 519-3456 ou www.RIDGID.com.

Tableau I – Spécifications pour rainures normalisées

NOTA ! Toutes dimensions en pouces (système impérial).

Ø TUYAU (nominal)	Ø TUYAU		T Ep. mini des parois	A Fond de joint +.015/-030	B Largeur de rainure +.030/-015	C Diamètre de rainure		D Profondeur de rainure (nominale) (2)
	Ext.	Int.				Ext.	Int.	
1 ¹ / ₄	1.660	+0.016 -0.016	.065	.625	.344	1.535	+0.000 -0.015	.063
1 ¹ / ₂	1.900	+0.016 -0.016	.065	.625	.344	1.775	+0.000 -0.015	.063
2 ⁽¹⁾	2.375	+0.024 -0.016	.065	.625	.344	2.250	+0.000 -0.015	.063
2 ¹ / ₂ ⁽¹⁾	2.875	+0.029 -0.016	.083	.625	.344	2.720	+0.000 -0.015	.078
3 ⁽¹⁾	3.50	+0.030 -0.018	.083	.625	.344	3.344	+0.000 -0.015	.078
3 ¹ / ₂ ⁽¹⁾	4.00	+0.030 -0.018	.083	.625	.344	3.834	+0.000 -0.015	.083
4 ⁽¹⁾	4.50	+0.035 -0.020	.083	.625	.344	4.334	+0.000 -0.015	.083
5 ⁽¹⁾	5.563	+0.056 -0.022	.109	.625	.344	5.395	+0.000 -0.015	.084
6 ⁽¹⁾	6.625	+0.050 -0.024	.109	.625	.344	6.455	+0.000 -0.015	.085

(1) Selon la norme AWWA C606-87

(2) La profondeur nominale des rainures n'est donnée qu'à titre indicatif. Ne pas baser la conformité d'une rainure sur sa profondeur.

Tableau II – Épaisseur maxi/mini des parois de tuyau

NOTA ! Toutes dimensions en pouces (système impérial)

Ø tuyau	Tuyau ou tube acier au carbone ou aluminium		Tuyau ou tube acier inoxydable		Tuyau PVC	
	Épaisseur des parois		Épaisseur des parois		Épaisseur des parois	
	Mini	Maxi	Mini	Maxi	Mini	Maxi
1 ¹ / ₄ "	.065	.140	.065	.140	.140	.140
1 ¹ / ₂ "	.065	.145	.065	.145	.145	.200
2"	.065	.154	.065	.154	.154	.218
2 ¹ / ₂ "	.083	.203	.083	.188	.203	.276
3"	.083	.216	.083	.188	.216	.300
3 ¹ / ₂ "	.083	.226	.083	.188	.226	.226
4"	.083	.237	.083	.188	.237	.237
5"	.109	.258	.109	.188	.258	.258
6"	.109	.280	.109	.188	.280	.280

Tableau III – Spécifications de rainurage pour cuivre

1 Ø nominal (pouces)	2 Ø ext.		3 A Siège joint A ±0.03	4 B Largeur rainure +.03 -.000	5 C Ø rainure +.00 -.02	6 D Prof. rainure nom. ¹	7 T Ép. mini des parois	8 Évasement maxi
	Norme	Tolérance						
2"	2.125	±0.002	0.610	0.300	2.029	0.048	DWV	2.220
2½"	2.625	±0.002	0.610	0.300	2.525	0.050	0.065	2.720
3"	3.125	±0.002	0.610	0.300	3.025	0.050	DWV	3.220
4"	4.125	±0.002	0.610	0.300	4.019	0.053	DWV	4.220
5"	5.125	±0.002	0.610	0.300	5.019	0.053	DWV	5.220
6"	6.125	±0.002	0.610	0.300	5.999	0.063	DWV	6.220
8"	8.125	+0.002/-0.004	0.610	0.300	7.959	0.083	DWV	8.220

1. La profondeur nominale de rainurage n'est donnée qu'à titre indicatif. Ne pas utiliser cette profondeur pour déterminer la conformité du rainurage.

Dépannage

SYMPTÔME	CAUSE POSSIBLE	REMÈDE
Rainure trop étroite ou trop large.	Usure du galet de rainurage ou de l'arbre d'entraînement.	Remplacer le galet de rainurage et/ou l'arbre d'entraînement.
La rainure obtenue n'est pas perpendiculaire à l'axe du tuyau.	Tuyau tordu. Coupe d'embout en faux équerre.	Utiliser un tuyau rectiligne. Couper l'embout du tuyau d'équerre.
Le tuyau ne suit pas la rainureuse durant le rainurage ou, le cas échéant, la rainureuse ne suit pas le tuyau.	Tuyau et arbre d'entraînement désaxés. Axe du tuyau non dévoyé de ½ degré par rapport à l'axe du galet d'entraînement. Bossages du galet d'entraînement colmatés ou complètement usés. Vis d'avancement desserrée. Clé tournant dans mauvais sens. Excès de calamine à l'intérieur du tuyau. Couture de soudure excessive. Manque de pression sur le tuyau. Embout de tuyau en faux équerre ou mal ébarbé. Vis d'avancement trop serrée.	Régler le porte-tubes pour aligner le tuyau. Décaler le tuyau de ½ degré. Nettoyer ou remplacer le galet d'entraînement. Serrer la vis d'avancement avec la clé à chaque rotation. Tourner la clé dans le bon sens. Nettoyer l'intérieur du tuyau. Meuler la couture à fleur sur une distance de 2". Appuyer sur le tuyau (Figure 10). Préparer l'embout du tuyau convenablement. Ne tourner la vis d'avancement qu'un quart de tour à la fois.
L'extrémité rainurée du tuyau est évasée.	Tuyau et arbre d'entraînement désalignés. Vis d'avancement trop serrée.	Régler le porte-tubes pour aligner le tuyau. Ne tourner la vis d'avancement qu'un quart de tour à la fois.
En cours de rainurage, le tuyau navigue latéralement sur l'axe du galet d'entraînement.	Tuyau tordu. Embout de tuyau en faux équerre.	Utiliser un tuyau droit. Couper l'embout du tuyau d'équerre.

Dépannage (suite)

SYMPTÔME	CAUSE POSSIBLE	REMÈDE
En cours de rainurage, le tuyau bascule d'un côté à l'autre du galet d'entraînement.	Porte-tubes trop près de l'embout du tuyau. Embout de tuyau aplati ou endommagé. Points durs ou soudages plus résistants que la paroi du tuyau. Avancement du galet de rainurage trop lent. Système d'entraînement tournant à plus de 57 t/min. Porte-tubes mal positionnés.	Rapprocher le porte-tubes selon les instructions. Couper la partie endommagée du tuyau. Changer de tuyau. Faire avancer la vis d'avancement plus rapidement contre le tuyau. Ramener le régime de rotation à 57 t/min. Positionner les rouleaux des porte-tubes de manière appropriée.
La rainureuse n'entame pas le tuyau.	Epaisseur de paroi excessive. Tuyau de composition trop dure. Vis de réglage mal réglée. Insuffisance de couple du système d'entraînement.	Se reporter au tableau des limites d'épaisseur de parois. Remplacer le tuyau. Régler la profondeur. Utiliser un système d'entraînement RIDGID 300 à 38 t/min.
La rainureuse ne produit pas le diamètre de rainure nécessaire.	Tuyau d'un diamètre excessif. Vis de réglage de profondeur mal réglée. Tuyau de composition trop dure.	Utiliser un tuyau de diamètre approprié. Régler la profondeur. Changer de type de tuyau.
Le tuyau s'échappe du galet d'entraînement.	Avancement du galet de rainurage trop lent. Bossages du galet d'entraînement colmatés ou complètement usés.	Faire avancer le galet de rainurage plus rapidement. Nettoyer ou remplacer le galet d'entraînement.
La rainureuse n'assure pas la rotation du tuyau en cours de rainurage.	Insuffisance de couple du système d'entraînement. Mandrin non serré sur les plats de l'arbre d'entraînement.	Utiliser un système d'entraînement RIDGID 300 Power Drive en 38 t/min. Serrer le mandrin.
Le tuyau se soulève ou a tendance à renverser la rainureuse en arrière.	Porte-tubes mal positionné.	Positionner le porte-tubes de manière appropriée.

Modelo 975

Ranuradora a rodillos combinada



ADVERTENCIA


Antes de utilizar este aparato, lea detenidamente su Manual del Operario. Pueden ocurrir descargas eléctricas, incendios y/o graves lesiones si no se comprenden y siguen las instrucciones de este manual.


Índice


Simbología de seguridad	49
Reglas de seguridad general	
Seguridad en la zona de trabajo	49
Seguridad eléctrica	49
Seguridad personal	50
Uso y cuidado de la máquina.....	50
Servicio	50
Información de seguridad específica	
Seguridad de la Ranuradora a rodillos	51
Seguridad de la Ranuradora a rodillos cuando se la usa con el Accionamiento Motorizado No. 300 o Roscadora	51
Seguridad de la Ranuradora a rodillos cuando se ranura un tubo inmóvil	51
Descripción, especificaciones y equipo estándar	
Descripción	52
Especificaciones	52
Equipo estándar.....	52
Inspección de la Ranuradora a Rodillos	52
Preparación de la máquina y de la zona de trabajo para el ranurado con accionamiento motorizado	
Montaje de la Ranuradora Combinada No. 975 en un Accionamiento Motorizado No. 300 de RIDGID.....	54
Montaje de la Ranuradora Combinada No. 975 en una Máquina Roscadora Compact No. 300 de RIDGID	55
Últimos preparativos.	55
Preparación del tubo	56
Montaje del tubo en la Ranuradora a Rodillos.....	57
Funcionamiento de la Ranuradora a rodillos con un Accionamiento Motorizado o una Roscadora	
Regulación y medición del diámetro de la ranura	58
Formación de la ranura	59
Regulación del diámetro de la ranura en tubos de cobre	60
Consejos para una buena trayectoria de ranurado con la Ranuradora No. 975	61
Preparación de la máquina y de la zona de trabajo para el ranurado de un tubo instalado o fijo	
Preparación del tubo	62
Montaje de la Ranuradora en el tubo.....	62
Funcionamiento de la Ranuradora a Rodillos No. 975 sobre un tubo inmóvil	
Regulación y medición del diámetro de la ranura	63
Formación de la ranura	64
Instrucciones de mantenimiento	
Lubricación.....	65
Limpieza.....	65
Reemplazo de los juegos de rodillos	65
Accesorios	66
Almacenamiento de la máquina	66
Servicio y reparaciones	66
Tabla I. Especificaciones de ranuras estándar	67
Tabla II. Grosor máximo y mínimo de pared de tubos	67
Tabla III. Especificaciones para ranuras en cobre	68
Detección de averías	68-69
Garantía vitalicia	carátula posterior


Simbología de seguridad


En este manual del operario y en la máquina misma encontrará símbolos y palabras de advertencia que comunican importante información de seguridad. En esta sección se describe el significado de estos símbolos.

 Este es el símbolo de una alerta de seguridad. Sirve para prevenir al operario de las lesiones corporales que podría sufrir. Obedezca todas las instrucciones que acompañan a este símbolo de alerta para evitar lesiones o muertes.

 Este símbolo de PELIGRO advierte de una situación de riesgo o peligro que, si no se evita, ocasionará la muerte o graves lesiones.

 Este símbolo de ADVERTENCIA advierte de una situación de riesgo o peligro que, si no se evita, podría ocasionar la muerte o lesiones graves.

 Este símbolo de CUIDADO previene de una situación de riesgo o peligro que, si no se evita, podría ocasionar lesiones leves o menores.

 Un AVISO advierte de la existencia de información relacionada con la protección de un bien raíz o propiedad.



Este símbolo significa que, antes de usar una máquina o equipo, es necesario leer detenidamente el manual del operario. Su manual contiene importante información acerca del funcionamiento apropiado y seguro del equipo.



Este símbolo señala que, al hacer funcionar esta máquina, el operario debe ponerse gafas o anteojos de seguridad con viseras laterales para reducir el riesgo de daños a los ojos.



Este símbolo señala que entre los rodillos de la máquina pueden aplastarse manos y dedos.



Este símbolo advierte que manos, dedos, piernas, ropa y otros objetos podrían engancharse y/o envolverse en los ejes rotatorios de la máquina y causar graves lesiones, golpes o aplastamientos.



Este símbolo señala que no debe usarse un taladro eléctrico, una llave de impacto ni otra herramienta motorizada para accionar esta máquina in situ.



Este símbolo indica que la máquina podría volcarse y causar lesiones, golpearlo o aplastarlo.



Este símbolo significa que siempre debe utilizar un interruptor de pie para hacer funcionar una máquina roscadora y accionamiento motorizado.



Este símbolo señala que debe usarse un casco duro para prevenir lesionarse la cabeza.

Reglas de seguridad general

ADVERTENCIA

Lea y comprenda todas las instrucciones. Pueden ocurrir descargas eléctricas, incendios y/o lesiones corporales graves si no se siguen todas las instrucciones detalladas a continuación.

¡GUARDE ESTAS INSTRUCCIONES!

El término "máquina o aparato motorizado", empleado a lo largo de las advertencias de este manual, se refiere a la herramienta de trabajo que funciona ya sea enchufada a un tomacorriente o con pila (inalámbrica).

Seguridad de la zona de trabajo

- **Mantenga su zona de trabajo limpia y bien iluminada.** Los bancos de trabajo desordenados y las zonas oscuras invitan a que se produzcan accidentes.
- **No haga funcionar máquinas o aparatos eléctricos en atmósferas explosivas, como por ejemplo en la presencia de líquidos, gases o polvos inflamables.** Los motores eléctricos generan chispas que pueden encender el polvo o los gases.
- **Cuando haga funcionar una máquina, mantenga**

apartados a niños y transeúntes. Las distracciones pueden hacerle perder el control de la máquina.

- **Mantenga el piso seco y libre de materiales resbaladizos, como aceites.** Los suelos resbalosos provocan accidentes.
- **Cuando la pieza de trabajo (tubo) se extienda más allá de la máquina, rodee la zona con barricadas.** Si se provee un espacio libre de por lo menos tres pies alrededor de la pieza de trabajo, se reduce el riesgo de que algo se enganche o enrede en ella.

Seguridad eléctrica

- **El enchufe de la máquina debe corresponder al tomacorriente. Jamás modifique el enchufe de la máquina. Cuando emplee una máquina motorizada provista de conexión a tierra, no utilice un enchufe adaptador.** Así se evita el riesgo de que ocurran descargas eléctricas.
- **Evite el contacto de su cuerpo con artefactos conectados a tierra tales como cañerías, radiadores, estufas o cocinas, y refrigeradores.** Aumenta el riesgo de que se produzca una descarga eléctrica cuando su cuerpo ofrece conducción a tierra.

- **No exponga los aparatos motorizados a la lluvia o a condiciones mojadas.** Cuando agua penetra en un aparato a motor, aumenta el riesgo de que se produzcan descargas eléctricas.
- **No maltrate el cordón eléctrico del aparato. Nunca transporte el aparato tomándolo de su cordón ni jale del cordón para desenchufarlo del tomacorriente. Mantenga el cordón lejos del calor, aceite, bordes cortantes o piezas móviles.** Un cordón enredado o en mal estado aumenta el riesgo de que se produzcan descargas eléctricas.
- **Al hacer funcionar un aparato motorizado a la intemperie, emplee un cordón de extensión fabricado para uso exterior.** Los alargadores diseñados para su empleo al aire libre reducen el riesgo de que se produzcan choques eléctricos.
- **Si resulta inevitable el empleo de una herramienta a motor en un sitio húmedo, enchúfela en un tomacorriente GFCI (dotado de un Interruptor del Circuito de Pérdida a Tierra).** El interruptor GFCI reduce el riesgo de descargas eléctricas.

Seguridad personal

- **Manténgase alerta, preste atención a lo que está haciendo y use sentido común cuando trabaje con una máquina a motor. No la use si está cansado o se encuentra bajo la influencia de drogas, alcohol o medicamentos.** Sólo un breve descuido mientras hace funcionar una máquina a motor puede resultar en lesiones personales graves.
 - **Use el equipo de protección personal que corresponda. Siempre use protección para sus ojos.** Al usar mascarilla para el polvo, calzado de seguridad antideslizante, casco duro o protección para los oídos, según las circunstancias, usted evitará lesionarse.
 - **Evite echar a andar la máquina sin querer. Antes de enchufarla a la electricidad o a pilas, de levantarla o transportarla, asegure que su conmutador se encuentre en la posición OFF (apagado).** Se producen accidentes cuando se enchufan máquinas que tienen su conmutador en la posición de encendido o cuando se las traslada de lugar con su dedo sobre el conmutador.
 - **Extraiga todas las llaves de regulación antes de encender la máquina.** Una llave mecánica u otra herramienta de ajuste que se haya dejado acoplada a una pieza giratoria de la máquina puede ocasionar lesiones corporales.
 - **No trate de extender su cuerpo para alcanzar algo. Mantenga sus pies firmes en tierra y un buen equilibrio en todo momento.** Al mantener el equilibrio y los pies firmes, tendrá mejor control sobre la máquina en situaciones inesperadas.
- **Vístase adecuadamente. No lleve ropa suelta ni joyas. Amarre una cabellera larga. Mantenga su cabello, ropa y guantes apartados de las piezas en movimiento.** La ropa suelta, las joyas o el pelo largo pueden engancharse en la piezas móviles.
 - **Si con la máquina se proveen dispositivos para la aspiración o extracción del polvo, conéctelos correctamente a la máquina antes de ponerla en uso.** Así se evitan los peligros respiratorios.

Uso y cuidado de la máquina

- **No fuerce el aparato. Use el aparato correcto para el trabajo que realizará.** El aparato adecuado hará el trabajo mejor y de manera más segura, a la velocidad para la cual fue diseñado.
- **Si el interruptor del aparato no lo enciende o no lo apaga, no use el aparato.** Cualquier herramienta motorizada que no pueda ser controlada mediante su interruptor es peligrosa y debe ser reparada.
- **Desenchufe el aparato antes de efectuarle trabajos de regulación, de cambiar accesorios o de almacenarlo.** Este tipo de seguridad preventiva reduce el riesgo de poner el aparato en marcha involuntariamente.
- **Almacene los aparatos que no estén en uso fuera del alcance de niños y no permita que los hagan funcionar personas sin capacitación para usarlos o que no hayan leído estas instrucciones.** Las herramientas motorizadas son peligrosas en manos inexpertas.
- **Hágale buen mantenimiento a su aparato motorizado. Revísele sus piezas móviles por si están desalineadas o agarrotadas. Cerciórese de que no tiene piezas quebradas y que no existe alguna condición que pueda afectar su buen funcionamiento. Si está dañado, antes de usarlo, hágalo componer.** Los aparatos en malas condiciones causan accidentes.
- **Solamente use los accesorios recomendados para su máquina.** Los accesorios que son los adecuados para una máquina pueden resultar peligrosos acoplados a otra máquina.
- **Mantenga los mangos limpios y secos, libres de aceite y grasa.** Esto permite un mejor control de la máquina.

Servicio

- **Los trabajos de servicio a la máquina sólo deben ser efectuados por personal de reparación calificado.** Sólo así se asegura que su máquina funcionará en forma segura.

Información de seguridad específica

⚠ ADVERTENCIA

Esta sección contiene información de seguridad específica para esta máquina.

Lea las siguientes instrucciones detenidamente antes de usar la Ranuradora a Rodillos Combinada No. 975 con el fin de prevenir lesiones personales graves.

¡GUARDE ESTAS INSTRUCCIONES!

Si tiene cualquier pregunta, llame al Departamento de Servicio Técnico de Ridge Tool Company al (800) 519-3456 o escriba a rtctechservices@emerson.com

Seguridad de la Ranuradora a Rodillos

- **No vista ropa suelta. Mantenga las mangas y las chaquetas abotonadas. No extienda su cuerpo sobre la máquina ni el tubo.** La ropa se le puede enganchar o enredar en el tubo u otras piezas giratorias y provocarle graves lesiones.
- **Mantenga sus manos apartadas de los rodillos ranuradores. No ranure tubos de menor longitud que la especificada. No se ponga guantes que le queden sueltos.** Sus dedos pueden quedar aprisionados entre los rodillos ranuradores o entre los rodillos y el tubo.
- **Mantenga sus manos apartadas de los extremos del tubo. No las meta dentro del tubo.** Sus dedos pueden pescarse o cortarse en las rebabas y bordes cortantes en su interior.
- **Prepare y manipule el tubo como se debe.** Las rebabas y los bordes afilados pueden cortar o pescarle sus dedos.
- **Soporte o apoye el tubo como se indica.** Así no se volcará la máquina ni caerá el tubo.
- **Antes de hacer funcionar la Ranuradora a Rodillos No. 975 de RIDGID®, lea y comprenda este Manual del Operario, el manual del Accionamiento Motorizado o Roscadora, las instrucciones del fabricante de los acoplamientos y las de cualquier otro equipo que se use en conjunción con esta máquina.** Si no se respetan estas instrucciones, podrían ocurrir daños materiales y/o graves lesiones personales.
- **Use siempre el equipo de protección personal apropiado mientras monta y emplea la Ranuradora a Rodillos No. 975 de RIDGID.** El equipo de protección personal adecuado siempre incluye protección para los ojos y podría exigir el uso de guantes de cuero, calzado con punteras de acero y un casco duro.
- **Emplee esta Ranuradora exclusivamente para ranurar tubos del tipo y tamaño indicados en**

estas instrucciones. Aumenta el riesgo de lesiones cuando se somete esta máquina a otros usos o se la modifica para efectuar otras aplicaciones.

Seguridad de la Ranuradora cuando se la usa con un Accionamiento Motorizado o Roscadora

- **Emplee esta Ranuradora a Rodillos Combinada No. 975 únicamente con un Accionamiento Motorizado No. 300 de RIDGID o la Roscadora Compact No. 300 de RIDGID.** El montaje a otras fuentes de accionamiento no será idóneo y podría, entre otros, volcar la máquina.
- **No use esta Ranuradora con un Accionamiento Motorizado o Roscadora que no tiene su interruptor de pie. Jamás bloquee el interruptor de pie para que no pueda controlar el accionamiento motorizado.** El interruptor de pie le permite apagar el motor del accionamiento motorizado con sólo retirar su pie del pedal. Si se le llegase a pescar la ropa en la máquina y usted no puede detenerla, la ropa lo arrastrará hacia la máquina. Ésta tiene un alto par de torsión que puede hacer que la ropa envuelva su brazo u otra parte de su cuerpo con tal fuerza que podría quebrarle sus huesos o lesionarlo gravemente.
- **Sólo una persona debe controlar el proceso de ranurado y el interruptor de pie. No haga funcionar la máquina con más de un operario.** Si su ropa se enreda, usted debe ser capaz de detener la máquina retirando de inmediato su pie del interruptor.
- **Sólo use accionamientos motorizados o roscadoras que giren a velocidades inferiores a 57 rpm.** Las máquinas de mayor velocidad aumentan los riesgos de accidente.
- **Asegure que la Ranuradora esté correctamente preparada y montada correctamente al Accionamiento Motorizado o a la Roscadora. Asegure que tanto la máquina, soporte, ranuradora y tubo están estables.** Así se evita que se vuelque el equipo y el tubo.

Seguridad de la Ranuradora a rodillos cuando se ranura sobre un tubo inmóvil

- **Acciónela manualmente cuando trabaje sobre un tubo estático. No emplee dispositivos motorizados (como taladros o llaves de impacto) para propulsar la Ranuradora sobre un tubo inmóvil.** Estos dispositivos a motor pueden dañar la Ranuradora y aumentar el riesgo de que ocurran lesiones.
- **Al trabajar en lo alto, todo el personal en la obra debe usar cascos duros y no deambular ni pasar por debajo de donde se trabaja con la Ranuradora.** La Ranuradora a Rodillos, el tubo que se ranura y otros objetos pueden caer y causar graves lesiones.

Descripción, especificaciones y equipo estándar

Descripción

La Máquina Ranuradora a Rodillos Combinada No. 975 de RIDGID labra ranuras en tubos de acero, aluminio y PVC, como también en tubos series 10 y 40 de 1¼ a 6 pulgadas de diámetro. También ranura tubos de acero inoxidable serie 10 de 1¼ a 6 pulgadas Ø y serie 40 de 1¼ a 2 pulgadas. Si se le adapta, también puede ranurar tubos de cobre de tipos K, L, M y DWV de 2 a 8 pulgadas. Se forman las ranuras haciendo avanzar mecánicamente un rodillo de ranurado en el tubo. Un rodillo de accionamiento sostiene el tubo mientras se le ranura. Lo único que necesita ajuste es la profundidad de la ranura.

La máquina Ranuradora ha sido específicamente diseñada para ranurar tubos inmóviles o en conjunción con el Accionamiento Motorizado No. 300 de RIDGID (modelos de 38 y 57 rpm). La Ranuradora también puede funcionar acoplada a la Roscadora Compact Modelo 300 de RIDGID, si se emplea el adaptador que lleva el No. 67662 en el catálogo. La Ranuradora 975 incluye un indicador de profundidad de la ranura patentado, y otras características patentadas que optimizan la trayectoria del ranurador durante su uso.

La Ranuradora a Rodillos Combinada No. 975 es una unidad portátil que ha sido pensada para usarse esporádicamente en el lugar de la obra; no debe utilizársela para realizar trabajos de gran volumen ni en talleres de fabricación de tubos.

AVISO Cuando se la utiliza correctamente, la Ranuradora a Rodillos modelo 975 forma ranuras de 2 a 6 pulgadas, cuyas dimensiones cumplen con las especificaciones de la norma AWWA C606-06. La selección de materiales y métodos de unión o junta apropiados es responsabilidad del diseñador y/o del instalador del sistema. Antes de iniciarse cualquier instalación, deben evaluarse cuidadosamente las condiciones ambientales específicas bajo las que estos materiales prestarán servicio, incluyendo las condiciones químicas y las térmicas.

Especificaciones

Capacidad de ranuradotubos de acero serie 10 de 1¼ a 6 pulgadas Ø y serie 40 de 1¼ a 2 pulgadas. Mediante el cambio de rodillo: tubos de cobre tipo K, L, M y DWV de 2 a 8 pulgadas Ø

(Vea la Tabla II para espesores de pared)

Ajuste del diámetro de la ranuratornillo de ajuste e indicador de profundidad de la ranura

Accionamiento.....tornillo de alimentación con llave a trinquete de ½ pulg.

Accionamiento a motor ...Accionamiento Motorizado No. 300 de RIDGID (modelos de 38 y 57 rpm. exclusivamente), Roscadora Compact Modelo 300 de RIDGID (con adaptador)

Peso27,6 libras

La Ranuradora a Rodillos Combinada No. 975 se encuentra protegida por patentes estadounidenses e internacionales, entre ellas, las números 6,272,895 y 6,591,652.

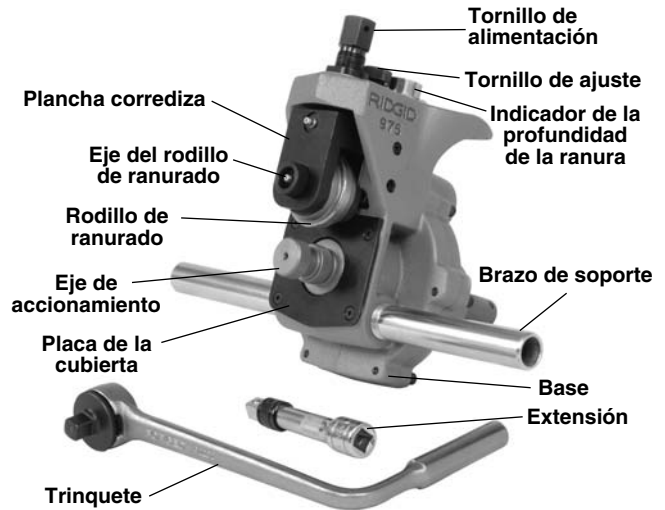


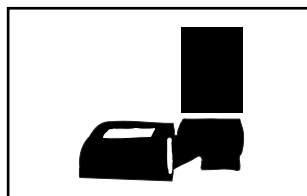
Figura 1 – Ranuradora a Rodillos Combinada No. 975

Equipo estándar

- Rodillos de ranurado y de accionamiento, series 10 y 40, de 1¼ a 6 pulgadas Ø
- Llave a trinquete (accionamiento ½ pulg.) con botón de desenganche
- Eje de extensión del accionamiento
- Brazos de soporte
- Indicador de la profundidad de ranura incorporado

Inspección de la Ranuradora a Rodillos

⚠ ADVERTENCIA



Antes de cada uso, revise la Ranuradora a Rodillos y rectifique cualquier problema para prevenir accidentes y lesiones corporales graves, o que se dañe la máquina.

No use esta Ranuradora a Rodillos con un Accionamiento Motorizado o Ranuradora que no tiene su interruptor de pie.

1. Si la Ranuradora Rodillos se encuentra montada en un accionamiento motorizado o máquina roscadora, asegure que la máquina esté desenchufada y que el interruptor de REV/OFF/FOR (reversa, apagada, adelante) se encuentra en la posición de OFF. Inspeccione y hágale mantenimiento al accionamiento o a la máquina roscadora, de acuerdo a las instrucciones de sus propios manuales. De lo contrario pueden ocurrir lesiones de gravedad y cuantiosos daños materiales. Revise que el accionamiento tenga su interruptor de pie y que éste funciona bien. No emplee esta ranuradora a rodillos sin un interruptor de pie.
 2. Quite cualquier aceite, grasa o mugre de encima de la Ranuradora, incluyendo el mango de transporte y el trinquete que se emplea para activarla. Así se evita que la ranuradora o el trinquete se resbalen de sus manos durante el funcionamiento y lo lesionen.
 3. Asegure que los brazos de soporte estén firmes en el cuerpo de la Ranuradora.
 4. Inspeccione la Ranuradora a Rodillos por si tiene alguna pieza quebrada, faltante, mal puesta o atascada o por si existe cualquier otra condición que pueda afectar su seguro y normal funcionamiento. Asegure que el rodillo de ranurado y el eje de accionamiento giran libremente.
 5. Revise que la máquina tenga la etiqueta de advertencia, bien adherida. *Vea la Figura 2* para ubicar la etiqueta.
 6. Si las estrías del eje de accionamiento están sucias, límpielas con una escobilla metálica. Cuando las estrías están sucias, el tubo podría patinar o afectar la precisión de la trayectoria.
 7. Inspeccione los ejes tanto del rodillo de ranurado como el del accionamiento, para asegurar que no están agrietados, desgastados o dañados. Los rodillos de ranurado y de accionamiento desgastados pueden producir el patinaje de los tubos, ranuras de mala calidad o fallar durante el uso.
 8. Revise que el trinquete y la extensión trabajen bien. Asegure que el trinquete funciona suave y constantemente en ambas direcciones. Oprima el botón de desenganche en el centro del cabezal del trinquete y móntelo en el tornillo de alimentación. El trinquete debe quedar fijo en posición. El trinquete también debe quedar bien sujeto en la extensión, y la extensión dentro del cuadrado del accionamiento manual en la parte posterior de la Ranuradora. Así se evita que el trinquete y la extensión se suelten de la Ranuradora durante el funcionamiento. Si usted usa un trinquete, llave o extensión diferente de las provistas, debe tener en mente que podrían soltarse durante el uso.
- Si detecta cualquier problema, no use la máquina hasta que no hayan sido solucionados.

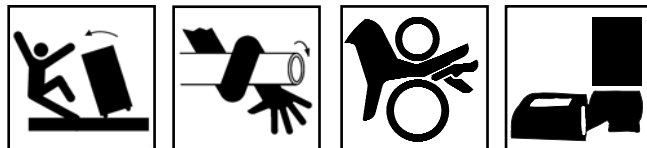
9. Lubrique la ranuradora según las instrucciones de mantenimiento de este manual. Quítele el exceso de grasa.
10. Si se está utilizando cualquier otro equipo, revíselo y efectúele el mantenimiento adecuado para asegurar que funcione bien.



Figura 2 – Etiqueta de advertencias en la Ranuradora No. 975

Preparación de la máquina y de la zona de trabajo para el ranurado con accionamiento motorizado

⚠ ADVERTENCIA



Póngase siempre protección para sus ojos para que no les entren mugre u objetos foráneos. Vista calzado con punteras de acero para proteger sus pies en caso de que se vuelque la máquina o se caiga el tubo.

No use esta ranuradora montada a un accionamiento motorizado o a una máquina roscadora que no tienen su interruptor de pie. Jamás bloquee el interruptor de pie para que no pueda controlar el accionamiento motorizado. El interruptor de pie le permite apagar el motor del accionamiento motorizado con sólo retirar su pie del pedal. Si se le llegase a pescar la ropa en la máquina sin que usted logre detener el motor, la máquina se tragará su ropa. Ésta posee un alto par de torsión que puede hacer que la ropa envuelva su brazo u otra parte de su cuerpo, con tal fuerza, que podría quebrar sus huesos, golpearlo o lesionarlo gravemente.

Prepare la ranuradora y la zona donde va a trabajar según estos procedimientos con el fin de que no

sufra lesiones causadas por descargas eléctricas, incendios, el vuelco de la máquina, enganches, aplastamientos u otras razones. Así evita, asimismo, averiar la máquina.

1. Elija una zona de trabajo donde:
 - haya suficiente luz.
 - no estén presentes líquidos, vapores o polvos que puedan prenderse fuego. Si los hay, no trabaje en esa zona hasta que no hayan sido retirados o eliminados.
 - haya un lugar despejado, nivelado, estable y seco para situar todo el equipo y al operario. No use la máquina si está puesta sobre agua.
 - exista un tomacorriente conectado a tierra. Tenga en cuenta que un enchufe de tres clavijas o un tomacorriente GFCI (Interruptor del Circuito de Pérdida a Tierra) podrían no estar puestos a tierra como es debido. Si tiene dudas al respecto, consulte a un electricista calificado.
 - haya una senda despejada hasta el tomacorriente, por donde no existan condiciones que podrían dañar el cordón eléctrico.
2. Limpie la zona de trabajo antes de instalar cualquier equipo. Limpie todo aceite que encuentre.
3. Revise el tubo que va a ranurar y confirme que la Ranuradora a Rodillos Combinada No. 975 es la máquina correcta para realizar la tarea. Esta Ranuradora No. 975 fue hecha para labrar ranuras en tubos de acero, aluminio y PVC de series 10 y 40, de 1¼ a 6 pulgadas de diámetro. También es apta para ranurar tubos de acero inoxidable, serie 10, de 1¼ a 6 pulgadas Ø, y serie 40, de 1¼ a 2 pulgadas. Con un cambio del juego de rodillos, puede ranurar tubos de cobre tipos K, L, M y DWV de 2 a 8 pulgadas.

La Ranuradora a Rodillos Combinada No. 975 puede utilizarse in situ (donde la tubería se encuentra ya instalada o el tubo está montado a una prensa de tornillo) o accionada por un Accionamiento Motorizado No. 300 de RIDGID o la Roscadora Compact No. 300 de RIDGID en el lugar mismo de la obra. Esta Ranuradora no ha sido hecha para emplearla en una cadena de producción.

Para conocer las otras ranuradoras a rodillos que fabrica RIDGID y sus aplicaciones, consulte el Catálogo de Ridge Tool en línea, <http://www.RIDGID.com> o llame al Servicio Técnico de Ridge Tool a 800-519-3456.

AVISO El uso de juegos de rodillos (de ranurado y de accionamiento) tanto en tuberías de acero de carbono como de acero inoxidable, puede ocasionar la contaminación del material de acero inoxidable. Esta contaminación puede causar la corrosión y la falla prematura de la tubería. A fin de evitar la contaminación ferrosa de los tubos de acero inoxidable, se recomienda destinar juegos

de rodillos para usarse exclusivamente en el ranurado de tubería de acero inoxidable. O bien, emplee una escobilla metálica de acero inoxidable para limpiar a fondo el juego de rodillos cuando cambie entre materiales.

4. Asegure que ha inspeccionado el accionamiento motorizado o la máquina ranuradora según su propio manual. Confirme que, sea cual sea el que va a utilizar, cuente con su interruptor de pie y que el interruptor de FOR/OFF/REV esté en posición OFF. Instale y prepare el accionamiento que usará de acuerdo a su manual. Asegure que la máquina y su soporte están estables y no se bambolean.
5. Abra el portaherramientas del accionamiento motorizado o máquina roscadora por completo.
6. Cerciérese de que la Ranuradora a Rodillos Combinada No. 975 ha sido inspeccionada y que tiene el juego de rodillos correcto instalado.

Montaje de la Ranuradora a Rodillos Combinada No. 975 en un Accionamiento Motorizado No. 300 de RIDGID

1. Si el accionamiento motorizado que se va a emplear viene provisto de carro y otros accesorios, sáqueselos. Asegure que los brazos de soporte del accionamiento están completamente extendidos y fijos en posición.
2. Monte los brazos de soporte de la ranuradora sobre las barras de soporte del accionamiento motorizado. En seguida, el extremo del eje de accionamiento de la ranuradora dentro del portaherramientas del accionamiento motorizado. Cierre y apriete el portaherramientas del accionamiento motorizado sobre los planos del eje de accionamiento de la ranuradora. Gire el volante del accionamiento motorizado hacia la izquierda repetidamente con golpes fuertes para enclavar las mordazas alrededor del eje de accionamiento (Figura 3).

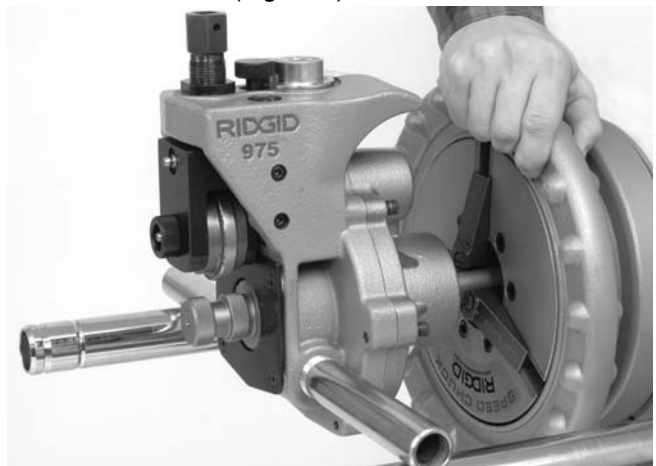


Figura 3 – Montaje de la Ranuradora a Rodillos No. 975 en el portaherramientas del Accionamiento Motorizado No. 300

Montaje de la Ranuradora Combinada No. 975 en una Máquina Roscadora Compact No. 300 de RIDGID

Si va a emplear una Máquina Ranuradora Compact No. 300 con la Ranuradora No. 975, se necesita un kit adaptador (No. 67662 en el catálogo). El rol del kit adaptador es colocar a la Ranuradora No. 975 en posición correcta con relación a la máquina roscadora y su soporte, y permitir el ranurado de una variedad de tamaños. No intente utilizar la Ranuradora Combinada No. 975 con ninguna otra máquina roscadora, porque pueden caerse y funcionar indebidamente.

1. Instale el adaptador para la barra de accionamiento dentro del eje de accionamiento de la Ranuradora (vea la Figura 4). Alinee los tornillos de retención sobre los planos del eje de la Ranuradora. Apriételes firmemente.

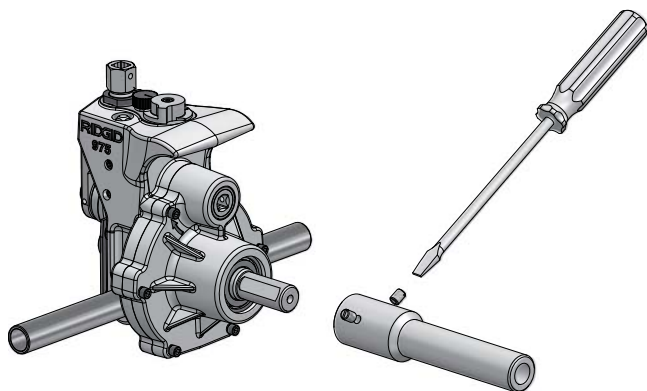


Figura 4 – Instalación del adaptador para la barra de accionamiento

2. Mueva el carro de la Roscadora Compact No. 300 lo más cerca posible del portaherramientas de la máquina. Alce la cortadora, la escariadora y el cabezal de terrajas para que no obstaculicen la operación. Coloque el cono de la escariadora dentro del cabezal de terrajas.
3. Ponga un mango adaptador sobre el extremo de cada riel de la Roscadora Compact No.300 (como se muestra en la Figura 5) y fíjelos con el pasador incorporado.

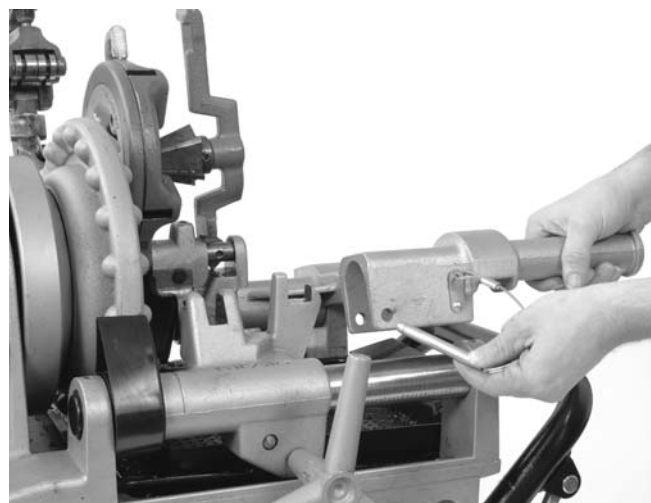


Figura 5 – Instalación del brazo adaptador

4. Monte los brazos de soporte de la No. 975 en los brazos del mango adaptador y el adaptador de la barra de accionamiento dentro del portaherramientas de la máquina Roscadora. Cierre y apriete el portaherramientas de la Roscadora sobre el adaptador de la barra de accionamiento. Asegure que la barra está centrada. Dele repetidas y enérgicas vueltas hacia la izquierda al volante para que la barra de accionamiento quede firmemente agarrada.

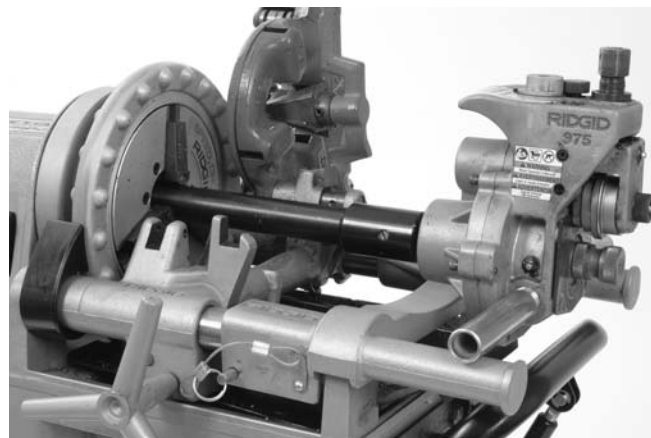


Figura 6 – Ranuradora a Rodillos Combinada No. 975 montada a una Roscadora Compact No. 300

Últimos preparativos

1. Sitúe el interruptor de pie del accionamiento motorizado donde el operario pueda controlar el accionamiento o la máquina roscadora, la ranuradora a rodillos y el tubo que se va a ranurar. Como se muestra en la Figura 7, en esta posición el operario debe poder:
 - Pararse de frente a la ranuradora pudiendo alcanzar (en el lado de) el interruptor de FOR/OFF/REV.
 - Controlar la acción del interruptor de pie (ON/OFF) y retirar su pie rápidamente si es necesario.

- Alcanzar sin problemas la ranuradora, tubo y llave de trinquete sin tener que alargar sus manos y brazos sobre la ranuradora.



Figura 7 – Óptima postura del operario

2. Traiga el cordón eléctrico por la senda elegida previamente. Con las manos secas, enchufe el accionamiento motorizado al tomacorriente con conexión a tierra. Mantenga todas las conexiones eléctricas secas y levantadas del suelo. Si el cordón de suministro eléctrico no alcanza el tomacorriente, use un cordón de extensión que:
 - Está en buenas condiciones,
 - Tiene un enchufe de tres clavijas igual al del accionamiento motorizado,
 - Es apto para uso exterior, clasificado como W ó W-A (rotulado en el revestimiento del cordón, ej. SOW) y
 - Tener alambre del grosor suficiente (14 AWG si mide 25 pies de largo o menos, 12 AWG si mide entre 25 y 50 pies). Si su capacidad resulta insuficiente, el cordón puede recalentarse, derretirse su aislante, o causar un incendio u otros daños.
3. Revise el accionamiento motorizado o la máquina roscadora para asegurar que funciona correctamente:
 - Mueva el interruptor a la posición de FOR (adelante). Oprima y suelte el interruptor de pie. Verifique

que el eje de accionamiento gira hacia la izquierda cuando usted se encuentra de frente al portaherramientas delantero. Si el accionamiento motorizado gira en el sentido equivocado o si el interruptor de pie no controla su funcionamiento, no use la ranuradora hasta que haya sido reparada.

- Oprima y mantenga el pie sobre el pedal del interruptor. Revise la velocidad de giro de la unidad. Revise sus partes móviles por si están desalineadas o atascadas, por si emiten ruidos extraños o si detecta cualquier otra condición inusual. Suelte el interruptor de pie. Si la velocidad de giro excede las 57 revoluciones por minuto, no ranure con ella. A velocidades mayores aumenta el riesgo de que ocurran lesiones. Si nota que el equipo no funciona bien, no lo use hasta que no haya sido reparado.
- Mueva el interruptor de REV/OFF/FOR a la posición de REV (reversa). Oprima y suelte el interruptor de pie. Confirme que el eje de accionamiento gira hacia la derecha cuando usted mira la parte delantera del portaherramientas. Si el accionamiento no gira en la dirección correcta, no use la máquina hasta que haya sido reparada.
- Mueva el interruptor de REV/OFF/FOR a la posición de OFF. Con las manos secas, desenchufe la máquina.

Preparación del tubo

AVISO Éstas son instrucciones de carácter general. Prepare el extremo del tubo siguiendo siempre las recomendaciones específicas del fabricante de acoplamientos de ranurado. De lo contrario pueden formarse uniones o juntas indebidas que podrían causar fugas.

1. Corte el tubo del largo deseado. Tenga en cuenta cuáles son las longitudes mínimas de tubo que pueden ser ranuradas según cada diámetro de tubo (vea la Tabla A). Cuando se ranuran tubos de menor longitud que la debida usted corre el riesgo de herirse los dedos.

Corte el tubo en ángulo recto y quítele cualquier rebaba. Las rebabas pueden pescar o cortar los guantes o sus dedos durante el ranurado. Un tubo mal cortado y con rebabas de gran tamaño podría afectar la calidad de la ranura y la trayectoria del surco. No ranure un tubo que ha sido cortado a soplete.

2. Es necesario amolar al ras todas las costuras de soldaduras, tapajuntas u otras juntas interiores o exteriores existentes en el tubo en un trecho de por lo menos 2 pulgadas a partir de su extremo. No corte los planos en las zonas donde se asientan las empaquetaduras. Esto puede causar fugas.
3. Quite el sarro, mugre, óxido y otros contaminantes hasta por lo menos 2 pulgadas desde el extremo del tubo. Los contaminantes pueden taponar las

estrías del accionamiento e impedir el avance del tubo durante el ranurado.

Montaje del tubo en la Ranuradora

1. Revise que el accionamiento motorizado o la máquina roscadora se encuentre en posición de OFF.
2. Asegure que el tubo que va a ranurar esté bien sostenido por los soportes necesarios. La *Tabla A* lista la longitud máxima de tubo que puede ranurarse apoyado en un sólo portatubos. Los tubos de longitud superior a las máximas especificadas deben sostenerse con por lo menos dos soportatubos. Si no se sujeta un tubo adecuadamente, puede caerse el tubo o volcarse o caer la máquina junto con el tubo. No ranure tubos de menor longitud que las especificadas.
3. Coloque los soportatubos necesarios delante de la

Ø Nominal	Longitud mín.	Longitud máx.	Nom. Size	Longitud mín.	Longitud máx.
1	8	36	4	8	36
1¼	8	36	4½	8	32
1½	8	36	5	8	32
2	8	36	6 Ø ext.	10	30
2½	8	36	6	10	28
3	8	36			
3½	8	36			

Tabla A – Longitudes de tubo mínimas y máximas ranurables con un sólo soportatubos (en pulgadas)

Ranuradora. En el caso de un tubo cuyo largo permite que se le soporte con un solo soportatubos, sitúelo un poco más allá de la mitad de la longitud del tubo, medido desde la placa de la cubierta. Cuando los tubos largos requieren apoyarse en más de un soportatubos, el segundo debe colocarse a un cuarto de la longitud del tubo, medido desde el extremo lejano del tubo. En algunos casos será necesario emplear más de dos soportatubos. Los soportatubos deben ajustarse a una altura que permita que el tubo se monte sin problemas sobre el rodillo de accionamiento.

4. Asegure que el rodillo de ranurado esté lo suficientemente retraído para que el tubo pueda montarse sobre el eje de accionamiento. Si es necesario, gire el tornillo de alimentación hacia la izquierda para alzar el rodillo de ranurado.
5. Monte el extremo del tubo en el eje de accionamiento y descanse el tubo en el o los soportatubos. Cerciórese de que el tubo permanece estable.

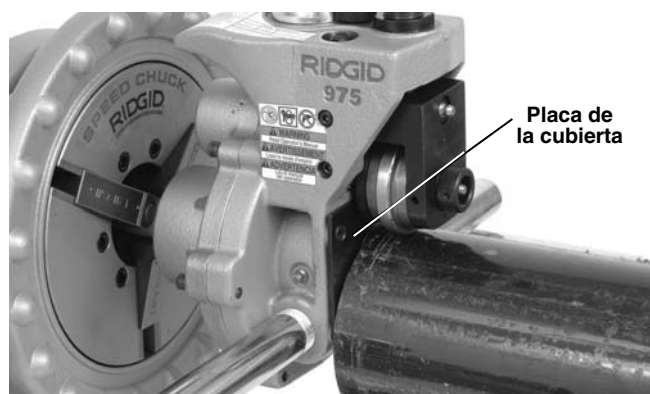


Figura 8 – Montaje del tubo sobre el eje de accionamiento y al ras con la placa de la cubierta

6. Ajuste el tubo y los soportatubos para que el extremo del tubo quede topando la placa de la cubierta de la Ranuradora y que el interior del tubo haga contacto con el contorno del eje de accionamiento (*Figura 8*). Las líneas imaginarias centrales del tubo y del eje de accionamiento deben quedar paralelas entre ellas. Esto se logra nivelando tanto el accionamiento motorizado o roscadora y el tubo.
7. Coloque el tubo y los portatubos levemente desplazados o desviados hacia el operario en ½ grado aproximadamente (o una pulgada a más de 10 pies de distancia de la ranuradora). Esta desviación del tubo y de la ranuradora facilita el giro del tubo mientras se ranura (*vea la Figura 9*).

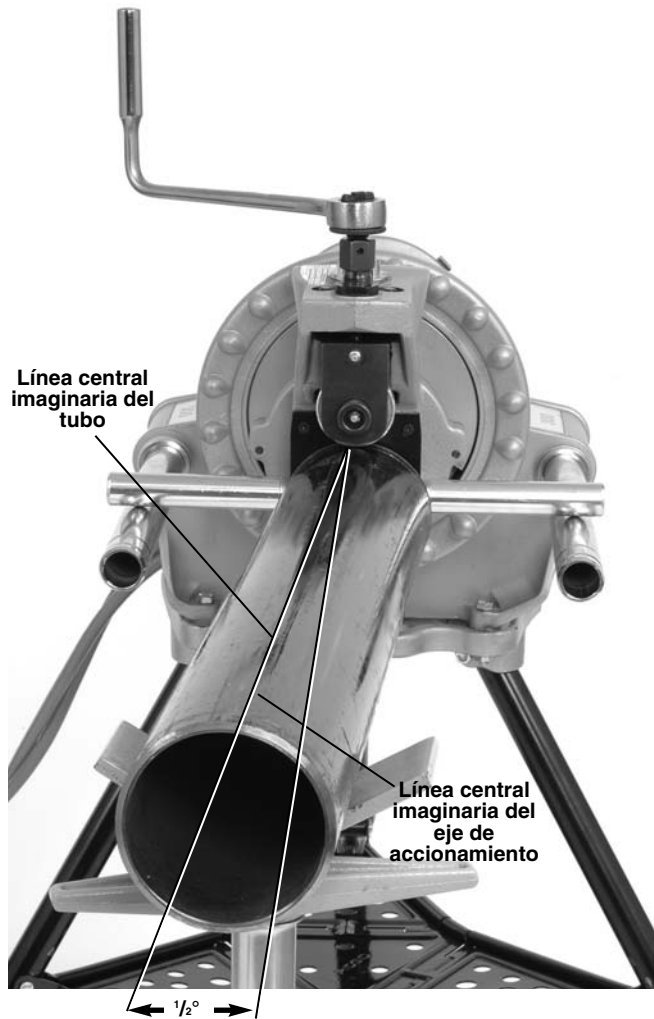


Figura 9 - Tubo desviado en 1/2 grado hacia el operario (ángulo exagerado en la foto)

8. Gire el tornillo de alimentación hacia la derecha para bajar el rodillo ranurador y ponerlo en contacto con el diámetro externo del tubo. A continuación dele otro cuarto de vuelta al tornillo de alimentación. Es posible que el tornillo de ajuste necesite aflojarse (girándolo a la izquierda) para lograr que el rodillo ranurador tome contacto con el tubo. Ahora el tubo y el rodillo ranurador deberían estar firmemente enlazados.
9. Observe su zona de trabajo y determine si necesita colocar barreras para impedir que otras personas se acerquen al equipo y al tubo. La barrera debe crear un espacio libre mínimo de tres pies alrededor del accionamiento motorizado y el tubo. Esta "zona de seguridad" impide que alguien, accidentalmente, toque la máquina o el tubo y provoque su caída.
10. Con las manos secas, enchufe la máquina a un tomacorriente puesto a tierra debidamente.

Funcionamiento de la Ranuradora a rodillos No. 975 con un Accionamiento Motorizado o una Roscadora

⚠ ADVERTENCIA



No vista ropa suelta cuando haga funcionar la ranuradora a rodillos. Mantenga las mangas y las chaquetas abotonadas. No extienda su cuerpo sobre la máquina ni el tubo. La ropa se le puede enredar en alguna pieza giratoria y provocarle graves lesiones.

Mantenga sus manos apartadas de los rodillos ranuradores. No ranure tubos de menor longitud que la especificada. No se ponga guantes que le queden sueltos. Sus dedos pueden quedar aprisionados entre los rodillos ranuradores o entre los rodillos y el tubo.

Mantenga sus manos apartadas de los extremos del tubo. No las meta dentro del tubo. Sus dedos pueden pescarse o cortarse en las rebabas y bordes cortantes en su interior. Sus dedos pueden quedar aprisionados entre los rodillos ranuradores o entre los rodillos y el tubo.

Siempre use protección para sus ojos para que no les entren los entren mugre y objetos foráneos. Vista calzado con punteras de acero para proteger sus pies en caso de que se vuelque la máquina o se desprenda el tubo.

Siga fielmente las instrucciones para evitar lesiones debidas a vuelcos, aplastamientos, caídas u otras causas.

Regulación y medición del diámetro de la ranura

AVISO Porque los tubos tienen diferentes características, se recomienda efectuar siempre una ranura de ensayo al comenzar la jornada de trabajo, o cuando se va a ranurar un tubo de distinto tamaño, de distinta serie, o material de fabricación. Las posiciones del indicador del diámetro de la ranura son sólo aproximadas; se debe medir el diámetro de la ranura para confirmar que ha quedado del tamaño apropiado.

1. Confirme que el equipo y el tubo hayan sido bien puestos y preparados. Si el tubo no se prepara correctamente, puede afectar la exactitud de la profundidad de la ranura. El rodillo ranurador debe quedar tocando el tubo.
2. Regule el indicador de la profundidad de la ranura de modo que la marca correcta se posicione debajo de la cabeza del tornillo de ajuste. (Figura 10A). El indicador se usa para medir ranuras en tubos de acero, acero inoxidable, aluminio y PVC. En el caso de tubos de cobre, vea la sección *Regulación del diámetro de la ranura en tubos de cobre*.

3. Gire el tornillo de ajuste hacia la derecha hasta que su cabeza toque la marca del indicador de profundidad. Gire el indicador de la profundidad de la ranura a la posición de ranurado (*Figura 10B*). Si el indicador no se encuentra en la posición de ranurado no se podrá labrar una ranura y podría dañarse.



Figura 10A – Coloque la marca correcta del indicador bajo la cabeza del tornillo de ajuste

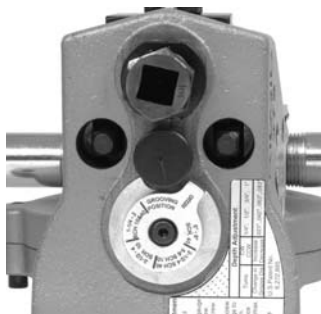


Figura 10B – Indicador en posición de ranurado

4. Haga una ranura de ensayo (siguiendo los pasos de "Formación de la ranura").
5. Mida el diámetro de la ranura. Una cinta mide-diámetros es la más indicada para medir el diámetro de la ranura (vea la sección Accesorios). Ciña la cinta mide-diámetros alrededor de la ranura en el tubo. Debe asentarse en forma plana en el fondo de la ranura. Efectúe la medición. (*Vea la Figura 11*).



Figura 11 – Chequeo del diámetro de la ranura con una cinta mide-diámetros

6. Compare esta medición del diámetro de la ranura con el diámetro requerido, según se indica en la *Tabla I* ó *III*, o con la medida que especifique el fabricante del acoplamiento. Si la ranura medida está fuera del diámetro de ranura requerido, el tornillo de ajuste debe reajustarse.

- Para aumentar la profundidad de la ranura, gire el tornillo de ajuste hacia la derecha.
- Para disminuir el diámetro de la ranura, gire el tornillo de ajuste hacia la izquierda.
- Por cada $\frac{1}{4}$ de vuelta del tornillo de ajuste, el diámetro de la ranura varía en aproximadamente 0,02 pulgadas.

7. Repita los pasos 4 al 6 hasta que el diámetro de la ranura se encuentre dentro de los límites especificados. Si la primera ranura es demasiado grande, la ranuradora debe regularse para achicar la ranura. Si la ranura resulta demasiado chica, se necesitará hacer otra. Es fundamental obtener un diámetro de ranura apropiado para asegurar una conexión hermética y duradera. Las ranuras que no cumplan con las especificaciones pueden ocasionar juntas con fallas y fugas.

Formación de la ranura

1. Confirme que el equipo y el tubo hayan sido bien puestos y preparados.



Figura 12 – Postura correcta del operario para hacer funcionar la Ranuradora a Rodillos

2. Adopte la postura correcta para trabajar. Sitúe el interruptor de pie del accionamiento motorizado donde el operario pueda controlar el accionamiento, la ranuradora a rodillos y el tubo que se va a ranurar

- Como se muestra en la *Figura 12*, en esta posición el operario podrá:
- Pararse de frente a la ranuradora en el lado del interruptor de FOR/OFF/REV, donde pueda alcanzarlo fácilmente.
 - Controlar la acción del interruptor de pie (ON/OFF) y retirar su pie del pedal rápidamente cuando sea necesario.
 - Alcanzar sin problemas la ranuradora, tubo y llave de trinquete sin tener que alargar sus manos y brazos sobre la ranuradora.
 - Poner la mano derecha sobre el tubo que se ranura, si es necesario.
 - Estar parado con los pies firmes en tierra.
3. Mueva el interruptor direccional de REV/OFF/FOR a la posición de REV (reversa). **No haga funcionar la Ranuradora No. 975 en la posición de FOR (adelante). Provocará la salida en espiral del tubo, fuera del rodillo de ranurado, y podría caerse al suelo.**
 4. Ponga una mano sobre la cabeza del trinquete y tornillo de alimentación y la otra mano en el extremo del trinquete.
 5. Oprima el interruptor de pie para echar a andar el accionamiento motorizado. Observe como gira el tubo y asegure que la superficie exterior del tubo permanezca en contacto con la placa de la cubierta de la ranuradora. Si el tubo comienza a escaparse en espiral de la placa de la cubierta, suelte el interruptor de pie para que el tubo no se salga y caiga. Si es necesario, vuelva a colocar el tubo en la máquina (vea la sección *Montaje del tubo*). Si el extremo del tubo se deforma, corte el tubo más adentro y lábrele una nueva ranura.
 6. Una vez que el tubo complete una revolución, apriete el tornillo de alimentación otro cuarto de vuelta. Continúe observando el extremo del tubo para asegurar que está siempre tocando la placa de la cubierta. No apriete el tornillo de alimentación más de un cuarto de vuelta por cada revolución del tubo. Si lo aprieta en demasía la ranura se ensanchará o provocará la caída del tubo desde el eje de accionamiento.
 7. Continúe apretando el tornillo de alimentación un cuarto de vuelta tras cada revolución del tubo, hasta que la cabeza del tornillo de ajuste se detenga contra la parte superior de la ranuradora. No continúe apretando el tornillo de alimentación después que el tornillo de ajuste alcance la parte superior de la ranuradora, porque esto podría dañar el tornillo de ajuste. Permita que el tubo dé otras dos vueltas completas en esta posición, para asegurar una profundidad de ranura pareja.

8. Suelte el interruptor de pie y ponga el interruptor de FOR/OFF/REV a la posición de OFF.
9. Gire el tornillo de alimentación hacia la izquierda y levante el rodillo ranurador para permitir la extracción del tubo.
10. Revise la ranura.
 - Asegure que la ranura esté completamente formada.
 - Chequee el diámetro de la ranura y que cumple con la especificaciones.
 - Chequee cualquier otro asunto requerido por el fabricante del acoplamiento.

Si detecta cualquier problema, la ranura es inservible.

Regulación del diámetro de la ranura en tubos de cobre

El indicador de la profundidad de la ranura en la Ranuradora No. 975 no sirve para medir ranuras en tubos de cobre. Arrojará mediciones erróneas.

1. Gire el tornillo de alimentación hacia la derecha para bajar el rodillo ranurador y ponerlo en contacto con el diámetro externo del tubo. A continuación dele otro cuarto de vuelta al tornillo de alimentación. Es posible que el tornillo de ajuste necesite aflojarse (girándolo a la izquierda) para lograr que el rodillo ranurador tome contacto con el tubo. Ahora el tubo y el rodillo ranurador deberían estar firmemente enlazados.
2. Asegure que el indicador de la profundidad de la ranura se encuentra en la posición de ranurado. (*Figura 10B*)
3. Gire el tornillo de ajuste hasta que esté al ras con la placa superior de la Ranuradora.
4. Busque el diámetro y el tipo de tubo que desea ranurar en la Tabla B y retroceda el tornillo de ajuste alejándolo de la placa el número de vueltas que se indican. Por ejemplo, para un tubo de cobre serie L de 4 pulgadas, retroceda o afloje el tornillo de ajuste 1¹/₄ vuelta.

Ajuste de la profundidad para el ranurado de tubería de cobre

(Número de vueltas del tornillo de ajuste)

Ø	K	L	M	DWV
2 a 2,5 pulgs.	⁷ / ₈	⁷ / ₈	⁵ / ₈	⁵ / ₈
3 pulgs.	1 ¹ / ₁₆	1 ¹ / ₁₆	1 ¹ / ₁₆	1 ¹ / ₁₆
4 pulgs.	1 ¹ / ₄	1 ¹ / ₄	1 ¹ / ₄	1 ¹ / ₈
5 pulgs.	1 ¹ / ₂	1 ¹ / ₂	1 ¹ / ₂	1 ¹ / ₂
6 pulgs.	1 ¹³ / ₁₆	1 ³ / ₄	1 ³ / ₄	1 ³ / ₄
8 pulgs.	2 ¹ / ₂	2 ³ / ₈	2 ¹ / ₈	2 ¹ / ₈

Tabla B - Ajuste de la profundidad para el ranurado de tubería de cobre

5. Vea el paso 4 del capítulo "Regulación y medición del diámetro de la ranura".

Consejos para una buena trayectoria de ranurado

El mayor problema que enfrentan los usuarios de una ranuradora es que el tubo se “separa en espiral” o se “escapa” del eje de accionamiento, o no lleva una trayectoria adecuada. Para un buen ranurado es importante seguir las instrucciones al pie de la letra. Si se están siguiendo todas las instrucciones y el tubo aún no avanza bien, hay varias otras opciones disponibles para mejorar la trayectoria.

- Aumente levemente la desviación del tubo hacia el operario (de $\frac{1}{2}$ grado a 1 grado) (vea la Figura 9).
- Es posible que el operario deba ejercer leve presión sobre el tubo durante el ranurado para mejorar la operación. Generalmente sólo se requiere esta acción cuando el tubo es corto. En este caso, el operario debe ponerse un guante de cuero en buenas condiciones y apoyar su mano alrededor del medio del tubo, como se muestra en la Figura 13. Esto puede requerir que el soporte, sobre el cual va montado el accionamiento motorizado o máquina roscadora, sea fijado al suelo para impedir que el equipo se mueva durante el ranurado. Mantenga sus manos apartadas del rodillo de ranurado y los extremos del tubo y no ranure tubos más cortos que los autorizados. Podría lesionarse.



Figura 13 – El operario ejerce leve presión sobre el tubo, acercándolo hacia él, para mantener una buena trayectoria

- Asimismo, consulte la sección *Detección de averías* para conocer las razones de un mal ranurado y sus soluciones.

Preparación de la máquina y de la zona de trabajo para el ranurado de un tubo instalado o fijo

⚠ ADVERTENCIA



Póngase siempre protección para sus ojos para que no les entren mugre u objetos foráneos. Vista calzado con punteras de acero para proteger sus pies en caso de que se vuelque la máquina o se caiga un tubo al suelo. Cuando ranure tuberías instaladas, póngase casco duro.

Prepare la ranuradora y la zona donde va a trabajar según estos procedimientos con el fin de reducir el riesgo de lesionarse debido al vuelco de la máquina, enganches, aplastamientos y otras causas. Una buena preparación protege la integridad de la máquina.

1. Elija una zona de trabajo donde:
 - haya suficiente luz.
 - no estén presentes líquidos, vapores o polvos que puedan prender fuego. Si los hay, no trabaje en esa zona hasta que no hayan sido retirados o eliminados.
 - haya un lugar despejado, nivelado, estable y seco para situar todo el equipo y al operario. No use la máquina si está puesta sobre agua.
2. Limpie la zona de trabajo antes de instalar cualquier equipo. Limpie todo aceite que encuentre.
3. Revise el tubo que va a ranurar y confirme que la Ranuradora a Rodillos Combinada No. 975 es la máquina correcta para realizar la tarea. Esta Ranuradora No. 975 fue hecha para labrar ranuras en tubos de acero, aluminio y PVC, series 10 a 40, de $1\frac{1}{4}$ a 6 pulgadas. También es apta para ranurar tubos de acero inoxidable, serie 10, de $1\frac{1}{4}$ a 6 pulgadas \varnothing , y serie 40, de $1\frac{1}{4}$ a 2 pulgadas. Cuando se le cambia el juego de rodillos, puede emplearse para ranurar tubos de cobre tipos K, L, M y DWV de 2 a 8 pulgadas.

La Ranuradora a Rodillos Combinada No. 975 puede utilizarse sobre un tubo inmóvil (la tubería se encuentra ya instalada o el tubo estará fijo sobre una prensa de tornillo) o propulsada por un Accionamiento Motori-

zado No. 300 de RIDGID o la Roscadora Compact No. 300 de RIDGID en el lugar mismo de la obra. Esta Ranuradora no ha sido hecha para emplearla en una cadena de producción.

4. Cuando ranure sobre un tubo fijo, asegure que cuenta con suficiente espacio libre para situar la Ranuradora No. 975 y hacerla funcionar. La ranuradora describirá una órbita alrededor de una tubería ya instalada y requiere:
 - Por lo menos 6 $\frac{1}{2}$ pulgadas de espacio libre alrededor del tubo que se va a ranurar.
 - Que el tubo se extienda por lo menos 2 $\frac{1}{2}$ pulgadas más allá de una obstrucción, como una pared.
 - Un claro de por lo menos 9 $\frac{1}{2}$ pulgadas por donde introducir la ranuradora en el tubo.

Para conocer las otras ranuradoras a rodillos que fabrica RIDGID y sus aplicaciones, consulte el Catálogo de Ridge Tool en línea, HYPERLINK "<http://www.RIDGID.com>" o llame al Servicio Técnico de Ridge Tool al 800-519-3456.

AVISO El uso de juegos de rodillos (de ranurado y de accionamiento) tanto en tuberías de acero de carbono como de acero inoxidable puede ocasionar la contaminación del material de acero inoxidable. Esta contaminación puede causar la corrosión y la falla prematura de la tubería. Con el fin de evitar la contaminación ferrosa de los tubos de acero inoxidable, se recomienda destinar juegos de rodillos para usarse exclusivamente en el ranurado de tubería de acero inoxidable. O bien, emplee una escobilla metálica de acero inoxidable para limpiar a fondo el juego de rodillos cuando cambie entre materiales.

Preparación del tubo

AVISO Éstas son instrucciones de carácter general. Prepare el extremo del tubo siguiendo siempre las recomendaciones específicas del fabricante de acoplamientos de ranurado. De lo contrario pueden formarse uniones o juntas indebidas que podrían causar fugas.

1. Si efectuará ranuras en tuberías instaladas, asegúrese de que la red ha sido despresurizada y que se ha vaciado todo su contenido. Conozca qué contenía y si presenta peligros.
2. Corte el tubo del largo que desea.

Asegure que su extremo está cortado en ángulo recto y que no tiene rebabas. Las rebabas pueden pescar o cortar los guantes o sus dedos durante el ranurado. Un tubo mal cortado o con rebabas de gran tamaño podría afectar la calidad de la ranura y su trayectoria. No intente ranurar un tubo que ha sido cortado a soplete.
3. Es necesario amolar al ras todas las costuras de soldaduras, tapajuntas u otras juntas interiores o exteriores existentes en el tubo en un trecho de por lo menos 2 pulgadas a partir de su extremo. No

corte planos en las zonas donde se asientan las empaquetaduras. Esto puede causar fugas.

4. Quite el sarro, mugre, óxido y otros contaminantes hasta por lo menos 2 pulgadas desde el extremo del tubo. Los contaminantes pueden taponar las estrías del accionamiento e impedir el avance del tubo durante el ranurado.
5. Cerciórese de que el tubo que se ranurará se encuentra firmemente montado o instalado. El tubo debe ser capaz de soportar el peso de la ranuradora (28 libras), y la fuerza y par de torsión requeridos para ranurar, sin moverse. Si se ranurará una tubería instalada, aconsejamos extraer el trecho de tubería para ranurarlo en una prensa de tornillo. En otros casos, podría ser necesario agregar otros soportatubos temporales y hasta permanentes. Si empleará una prensa de tornillo para sujetar el tubo, asegure que se encuentra firme y estable y que no se caerá durante la operación. Los tubos de mayor longitud deben sujetarse con los soportatubos adecuados.

Montaje de la Ranuradora en el tubo

1. Verifique que la Ranuradora a Rodillos No. 975 ha sido inspeccionada. Asegure que los brazos de soporte están firmes en el cuerpo de la Ranuradora o extráigaselos si necesita trabajar con la máquina en una zona de acceso restringido. A continuación, instale el trinquete en el tornillo de alimentación y coloque la extensión dentro del cuadrado del accionamiento manual en la parte trasera de la Ranuradora. Asegúrese de que ambos estén bien instalados.
2. Asegure que cuenta con suficiente espacio entre el rodillo ranurador y el eje de accionamiento para meter el tubo. Si es necesario, gire el tornillo de alimentación hacia la izquierda para replegar el rodillo de ranurado.
3. Agarre la ranuradora firmemente. No alce el trinquete. Meta el eje de accionamiento dentro del tubo y verifique que la placa de la cubierta toca el extremo del tubo (*Figura 14*). Apriete manualmente el tornillo de alimentación para poner el rodillo de ranurado en contacto con la pared exterior del tubo. En seguida emplee el trinquete para apretar el tornillo de alimentación otro $\frac{1}{4}$ de vuelta. Compruebe que el rodillo ranurador esté enclavado en el tubo y que el extremo del tubo está pegado a la placa de la cubierta. De lo contrario, vuelva a repetir el procedimiento. Siempre revise a conciencia que la ranuradora se encuentra bien sujeta cuando se la usa sobre un tubo inmóvil, para que no se caiga.



Figura 14 – El operario sujeta firmemente la Ranuradora, sobre un tubo estático, mientras aprieta el tornillo de alimentación

Funcionamiento de la Ranuradora No. 975 sobre un tubo fijo

⚠ ADVERTENCIA



Acciónela únicamente en forma manual, al utilizarla sobre un tubo estático o fijo. No emplee dispositivos motorizados (como taladros o llaves de impacto) para propulsar la Ranuradora sobre un tubo estático. Estos dispositivos a motor pueden dañar la Ranuradora y aumentar el riesgo de que ocurran lesiones.

No vista ropa suelta mientras la hace funcionar. Mantenga mangas y chaquetas abotonadas. No extienda su cuerpo sobre la máquina ni el tubo. La ropa se le puede enganchar o enredar en el tubo u otras piezas giratorias y provocarle graves lesiones.

Mantenga sus manos apartadas de los rodillos ranuradores. No ranure tubos de menor longitud que la especificada. No se ponga guantes que le queden sueltos. Sus dedos pueden quedar aprisionados entre los rodillos ranuradores o entre los rodillos y el tubo.

Mantenga sus manos apartadas de los extremos del tubo. No las meta dentro del tubo. Sus dedos pueden pescarse o cortarse en las rebabas y bordes cortantes en su interior. Sus dedos pueden quedar aprisionados entre los rodillos ranuradores o entre los rodillos y el tubo.

Siempre use protección para sus ojos para que no les entren mugre u objetos foráneos. Vista calzado con punteras de acero para proteger sus pies en caso de que se vuelque la máquina o se desprenda el tubo. Póngase casco duro cuando haga trabajos de ranurado sobre tubería ya instalada.

Siga fielmente las instrucciones para evitar lesiones debidas a vuelcos, aplastamientos, caídas u otras causas.

Regulación y medición del diámetro de la ranura

AVISO Porque los tubos tienen diferentes características, se recomienda efectuar siempre una ranura de ensayo al comenzar la jornada de trabajo, o cuando se va a ranurar un tubo de diferente tamaño, de distinta serie, o material de fabricación. Las posiciones del indicador del diámetro de la ranura son sólo aproximadas; se debe medir el diámetro de la ranura para confirmar que ha quedado del tamaño apropiado.

1. Confirme que el equipo y el tubo hayan sido bien montados y preparados. Si el tubo no se prepara correctamente, puede afectar la exactitud de la profundidad de la ranura. El rodillo ranurador debe quedar tocando el tubo.
2. Regule el indicador de la profundidad de la ranura de modo que la marca correcta se posicione debajo de la cabeza del tornillo de ajuste (Figura 15A). El indicador se usa para medir ranuras en tubos de acero, acero inoxidable, aluminio y PVC. En el caso de tubos de cobre, vea la sección *Regulación del diámetro de la ranura en tubos de cobre*.
3. Gire el tornillo de ajuste hacia la derecha hasta que su cabeza toque la marca del indicador de profundidad. Gire el indicador de la profundidad de la ranura a la posición de ranurado (Figura 15B). Si el indicador no se encuentra en la posición de ranurado no se podrá labrar una ranura y podría dañarse.
4. Haga una ranura de ensayo (siguiendo los pasos de "Formación de la ranura").



Figura 15A – Coloque la marca correcta del indicador bajo la cabeza del tornillo de ajuste



Figura 15B – Indicador en posición de ranurado

5. Mida el diámetro de la ranura. Una cinta mide-diámetros es la más indicada para medir el diámetro de la

ranura (vea la sección *Accesorios*). Ciña la cinta mide-diámetros en el fondo de la ranura en el tubo. Debe asentarse en forma plana en el fondo de la ranura. Efectúe la medición del diámetro de la ranura. (Vea la Figura 16).



Figura 16 – Medición del diámetro de la ranura con una cinta mide-diámetros

6. Compare esta medición del diámetro de la ranura con el diámetro requerido, según se indica en la *Tabla I ó III*, o con la medida que especifique el fabricante del acoplamiento. Si la ranura medida está fuera del diámetro de ranura requerido, el tornillo de ajuste debe reajustarse.
 - Para aumentar la profundidad de la ranura, gire el tornillo de ajuste hacia la derecha.
 - Para disminuir el diámetro de la ranura, gire el tornillo de ajuste hacia la izquierda.
 - Por cada $\frac{1}{4}$ de vuelta del tornillo de ajuste, el diámetro de la ranura varía en aproximadamente 0,02 pulgadas.
7. Repita los pasos 4 al 6 hasta que el diámetro de la ranura se encuentre dentro de los límites especificados. Si la primera ranura es demasiado grande, la ranuradora debe regularse para achicar la ranura. Si la ranura resulta demasiado chica, se necesitará hacer otra. Es fundamental obtener un diámetro de ranura apropiado para asegurar una conexión hermética y duradera. Las ranuras que no cumplan con las especificaciones pueden ocasionar juntas con fallas y fugas.

Formación de la ranura

1. Confirme que el equipo y el tubo hayan sido bien puestos y preparados.
2. Adopte la postura correcta para trabajar. Párese con sus pies firmes en tierra.

3. Chequee que el tornillo de alimentación haya sido apretado en $\frac{1}{4}$ de vuelta.
4. Extraiga el trinquete fuera del tornillo de alimentación e instálelo en la extensión. (Al trabajar en lugares estrechos, no se necesita emplear la extensión.)
5. Gire el trinquete hacia la derecha (usted se encuentra mirando la parte trasera de la ranuradora) en el sentido de las flechas grabadas en el cuerpo trasero de la ranuradora (vea la Figura 17). Observe el giro de la ranuradora y asegure que la placa de la cubierta permanece en contacto con el extremo del tubo. Si la ranuradora empieza a separarse del extremo del tubo, no le dé más vueltas al trinquete para que la ranuradora no se salga del tubo y vaya a caer. Usted puede valerse de los brazos de soporte para empujar la ranuradora hacia el tubo para que éste y la placa vuelvan a quedar en contacto. Si es necesario, nuevamente monte la máquina en el tubo (vea la sección *“Montaje de la ranuradora en el tubo”*). Si el extremo del tubo se deformó, corte el tubo más adentro y lábrele una nueva ranura.

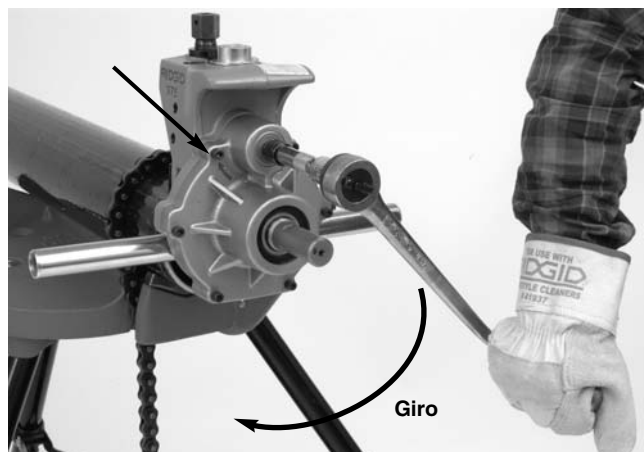


Figura 17 – Giro del trinquete en el sentido de las flechas

6. Continúe girando el trinquete hasta que la ranuradora dé por lo menos una vuelta completa alrededor del tubo. Extraiga el trinquete fuera de la extensión y acóplelo al tornillo de alimentación. Apriete el tornillo de alimentación en otro $\frac{1}{4}$ de vuelta. Extraiga el trinquete fuera del tornillo de alimentación y acóplelo a la extensión. No apriete el tornillo de alimentación más de $\frac{1}{4}$ de vuelta por cada revolución del tubo. Un tornillo de alimentación que se aprieta en demasía ensancha la ranura y hace que la ranuradora se escape del tubo. Continúe girando el trinquete, propulsando la ranuradora alrededor del tubo, y en el intertanto monitoree la posición de la placa de la cubierta contra el extremo del tubo.
7. Continúe apretando el tornillo de alimentación $\frac{1}{4}$ de vuelta por cada revolución de la ranuradora alrededor del tubo hasta que la cabeza del tornillo de ajuste se detenga contra la parte superior de la ranuradora. No continúe apretando el tornillo de alimentación des-

pués de que el tornillo de ajuste alcance la parte superior de la ranuradora, porque esto podría dañar el tornillo de ajuste. Permita que la ranuradora efectúe por lo menos otras dos vueltas completas alrededor del tubo después de que el tornillo de ajuste haya alcanzado la parte superior de la ranuradora, para asegurar una profundidad de ranura pareja.

8. Cambie el trinquete al tornillo de alimentación. Sujete la ranuradora con firmeza. Gire el tornillo de alimentación hacia la izquierda y retraiga el rodillo ranurador para permitir la extracción de la ranuradora fuera del tubo. No vaya a dejar caer la ranuradora.
9. Revise la ranura.
 - Asegure que la ranura esté completamente formada.
 - Chequee el diámetro de la ranura y que cumple con la especificaciones.
 - Chequee cualquier otro asunto requerido por el fabricante del acoplamiento.

Si detecta cualquier problema, la ranura es iservible.

Instrucciones de mantenimiento

⚠ ADVERTENCIA

Antes de hacerle cualquier mantenimiento o ajustes al equipo, asegure que el interruptor del accionamiento motorizado se encuentre en OFF y la máquina esté desenchufada.

Lubricación

Lubrique la Ranuradora No. 975 una vez al mes con grasa multiuso.

- Los orificios para el engrase se encuentran en el costado de la base en el lado donde se para el operario, en la parte delantera del bloque corredizo y en el extremo del eje del rodillo ranurador (vea la Figura 2). Aplique grasa hasta que asome una pequeña cantidad.
- Aplique una capa delgada de grasa sobre el tornillo de alimentación.
- La caja de engranajes de la Ranuradora de Rodillos No. 975 viene engrasada de por vida y no necesita lubricación salvo que haya sido abierta.

Para mayor información sobre el mantenimiento, vea la sección Inspección de la Ranuradora a Rodillos.

Limpieza

Limpie las estrías del eje de alimentación con una escobilla metálica todos los días o más a menudo si fuera necesario.

Reemplazo de los juegos de rodillos

AVISO Cuando reemplace algún rodillo, cerciórese de que el rodillo de accionamiento y el de ranurado tienen la misma denominación. Si no corresponden, se labrarán ranuras indebidas que causarán fugas.

Desmonte la Ranuradora a Rodillos del Accionamiento Motorizado o de la Roscadora y póngala en un banco de trabajo estable.

Herramientas necesarias:

- Llave hexagonal de $\frac{3}{8}$ pulg.
- Llave hexagonal de $\frac{3}{32}$ pulg.
- Alicata de 0,70 pulg. para el aro de fijación externo

Extracción e instalación del rodillo de accionamiento

1. Extraiga los 6 tornillos que sujetan la cubierta trasera de la carcasa.
2. Extraiga la cubierta trasera (Figura 18).

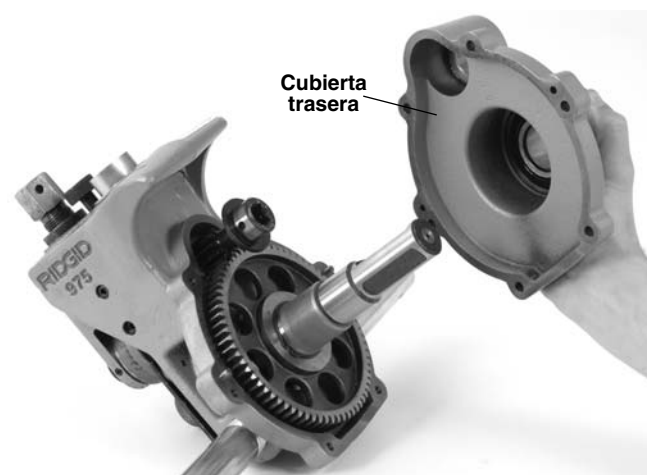


Figura 18 – Extracción de la cubierta trasera

3. Extraiga el piñón.
4. Extraiga el ensamble del eje de accionamiento desde la parte trasera de la Ranuradora No. 975.
5. Extraiga el aro de retención del eje de accionamiento y retire el engranaje (vea la Figura 19).

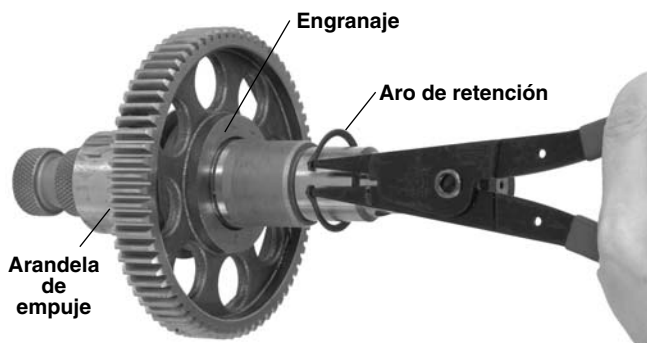


Figura 19 – Extracción del aro de retención

- Extraiga la llave y luego la arandela de empuje.
- Coloque la arandela en el nuevo eje de accionamiento.
- Introduzca la llave e instale el engranaje.
- Instale el aro de retención en la ranura del eje de accionamiento.
- Coloque el conjunto del eje de accionamiento en el alojamiento principal.
- Es posible que la caja de engranajes haya perdido grasa durante el cambio de ejes. Asegure que los cojinetes y los dientes del engranaje estén cubiertos de suficiente grasa de uso general.
- Introduzca el piñón y vuelva a colocar la cubierta trasera. Apriete los tornillos con una torsión de 12 a 16 pies*lbs.



Figura 20 – Piezas y partes de la Ranuradora a Rodillos No. 975

Extracción e instalación del rodillo de ranurado

- Extraiga el tornillo de fijación que sujeta el eje del rodillo de ranurado.
- Jale el eje del rodillo de ranurado fuera del bloque corredizo y extraiga el rodillo de ranurado y la arandela de empuje.

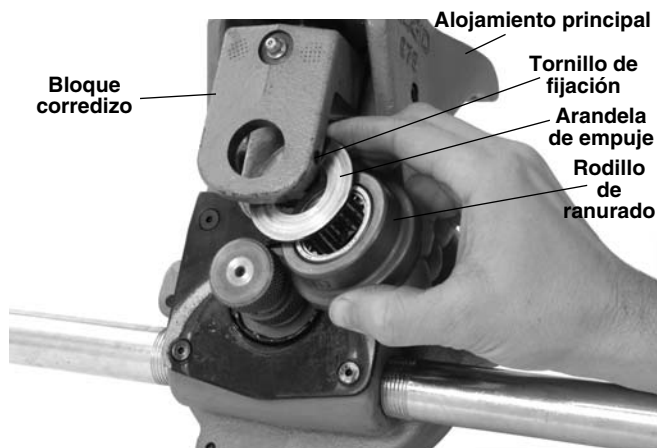


Figura 21

- Coloque la arandela de empuje y el nuevo rodillo de ranurado en el bloque corredizo. Asegure que el aro de retención interno en el rodillo de ranurado sea el que quede más cercano al alojamiento principal y que el rodillo de ranurado se encuentre entre la arandela de empuje y el alojamiento principal.
- Vuelva a colocar el eje del rodillo de ranurado y el tornillo de fijación.
- Revise la alineación entre el rodillo de ranurado y el rodillo de alimentación. Si no están alineados, chequee la orientación del rodillo de ranurado y la arandela de empuje.
- Engrase el conjunto según la sección *Lubricación*.

Accesorios

⚠ ADVERTENCIA

Los siguientes productos RIDGID son los únicos aptos para funcionar con la Ranuradora a Rodillos No. 975. Los accesorios de otras máquinas pueden resultar peligrosos si se usan con esta Ranuradora. Para evitar lesiones de gravedad, sólo use los accesorios hechos y recomendados específicamente para usarse con la Ranuradora No. 975 como los que se listan a continuación.

No. en el catálogo	Descripción
41855	Accionamiento Motorizado No. 300, 115V, 25 a 60 Hz, 38 rpm
75075	Accionamiento Motorizado No. 300, 115V, 23 a 60 Hz, 57 rpm
42360	Soporte No. 1206 para el Accionamiento Motorizado No. 300
66947	Compact 300, 115V 50/60 Hz 38 rpm
73447	Compact 300, 115V 50/60 Hz 52 rpm
67662	Brazo adaptador para la Compact 300
67657	Soporte plegable No. 250 para la Compact 300
72037	Prensa de tornillo portátil con cadena y trípode N. 460
56662	Soportatubos en "V" para tubería en altura VJ-99
76822	Cinta mide-diámetros (medición inglesa)
76827	Cinta mide-diámetros (sistema métrico)
30708	Extensión, accionamiento de 1/2", con bloqueo
30703	Trinquete, accionamiento de 1/2", de ángulo recto
32833	Rodillos de ranurado y de accionamiento la tubos de cobre tipos K, L, M y DWV de 2 a 8 pulgs.

Almacenamiento de la máquina

⚠ ADVERTENCIA Guarde la máquina bajo llave fuera del alcance de niños y personas no capacitadas para hacer funcionar este equipo de ranurado. Esta máquina puede causar lesiones de gravedad en manos de inexpertos.

Servicio y reparaciones

⚠ ADVERTENCIA

El servicio o reparaciones inadecuados pueden tornar la máquina en una insegura de operar.

Las "Instrucciones de Mantenimiento" cubren la mayoría

de los servicios que requiere esta máquina. Cualquier problema que no haya sido comentado en esta sección debe ser resuelto únicamente por un técnico autorizado por RIDGID.

La máquina debe llevarse a un Servicentro Autorizado Independiente RIDGID o ser devuelta a la fábrica.

Sólo deben usarse piezas de recambio idénticas cuando se le hace mantenimiento a esta máquina. Si no se siguen estas instrucciones, pueden producirse lesiones graves.

Si tiene cualquier pregunta relativa al servicio o reparación de esta máquina, llame o escriba a:

Ridge Tool Company
 Technical Service Department
 400 Clark Street
 Elyria, Ohio 44035-6001
 Teléfono: (800) 519-3456
 E-mail: rtctechservices@emerson.com

Para obtener el nombre y la dirección del Servicentro Autorizado más cercano, llame al (800) 519-3456 o visítenos en www.RIDGID.com

Tabla I. Especificaciones para ranuras a rodillo estándar en tubos de dimensiones IPS

¡NOTA! Todas las dimensiones se expresan en pulgadas

DIMENSIÓN NOMINAL DEL TUBO	Ø DEL TUBO		T ESPESOR MÍN. DE PARED.	A ASIENTO EMPAQUETADURA +0,015/-0,030	B ANCHO DE LA RANURA +0,030/-0,015	C Ø DE LA RANURA		D PROFUNDIDAD NOMINAL DE RANURA (Ref.) (2)
	ext.	TOL				ext.	TOL	
1¼	1,660	+0,016 -0,016	0,065	0,625	0,344	1,535	+0,000 -0,015	0,063
1½	1,900	+0,016 -0,016	0,065	0,625	0,344	1,775	+0,000 -0,015	0,063
2 ⁽¹⁾	2,375	+0,024 -0,016	0,065	0,625	0,344	2,250	+0,000 -0,015	0,063
2½ ⁽¹⁾	2,875	+0,029 -0,016	0,083	0,625	0,344	2,720	+0,000 -0,015	0,078
3 ⁽¹⁾	3,50	+0,030 -0,018	0,083	0,625	0,344	3,344	+0,000 -0,015	0,078
3½ ⁽¹⁾	4,00	+0,030 -0,018	0,083	0,625	0,344	3,834	+0,000 -0,015	0,083
4 ⁽¹⁾	4,50	+0,035 -0,020	0,083	0,625	0,344	4,334	+0,000 -0,015	0,083
5 ⁽¹⁾	5,563	+0,056 -0,022	0,109	0,625	0,344	5,395	+0,000 -0,015	0,084
6 ⁽¹⁾	6,625	+0,050 -0,024	0,109	0,625	0,344	6,455	+0,000 -0,015	0,085

1. Según la norma AWWA C606-87.

2. La Profundidad Nominal de Ranura se entrega como una dimensión de referencia. No use la profundidad de ranura para determinar si la ranura es aceptable.

Tabla II. Espesores máximos y mínimos de pared de tubo

¡NOTA! Todas las dimensiones están dadas en pulgadas.

Dimensión del tubo	TUBERÍA DE ACERO DE CARBONO O DE ALUMINIO		TUBERÍA DE ACERO INOXIDABLE		TUBERÍA DE PVC	
	Espesor pared del tubo		Espesor pared del tubo		Espesor pared del tubo	
	Min.	Max.	Min.	Max.	Min.	Max.
1¼"	0,065	0,140	0,065	0,140	0,140	0,140
1½"	0,065	0,145	0,065	0,145	0,145	0,200
2"	0,065	0,154	0,065	0,154	0,154	0,218
2½"	0,083	0,203	0,083	0,188	0,203	0,276
3"	0,083	0,216	0,083	0,188	0,216	0,300
3½"	0,083	0,226	0,083	0,188	0,226	0,226
4"	0,083	0,237	0,083	0,188	0,237	0,237
5"	0,109	0,258	0,109	0,188	0,258	0,258
6"	0,109	0,280	0,109	0,188	0,280	0,280

Tabla III. Especificaciones para ranuras en cobre

1	2		3	4	5	6	7	8
	Ø ext. Tubo		A Asiento empaquetadura A ±0,03	B Ancho de la ranura +0,03 -0,000	C Ø de la ranura +0,00 -0,02	D Prof. de la ranura Ref. ¹	T Tolerancia mín. grosor pared	Tolerancia máx. Ø abocinado
Dimensión nominal pulgadas	Básico	Tolerancia						
2	2,125	±0,002	0,610	0,300	2,029	0,048	DWV	2,220
2½	2,625	±0,002	0,610	0,300	2,525	0,050	0,065	2,720
3	3,125	±0,002	0,610	0,300	3,025	0,050	DWV	3,220
4	4,125	±0,002	0,610	0,300	4,019	0,053	DWV	4,220
5	5,125	±0,002	0,610	0,300	5,019	0,053	DWV	5,220
6	6,125	±0,002	0,610	0,300	5,999	0,063	DWV	6,220
8	8,125	+0,002/-0,004	0,610	0,300	7,959	0,083	DWV	8,220

1. La Profundidad Nominal de Ranura se entrega como una dimensión de referencia. No use la profundidad de ranura para determinar si la ranura es aceptable.

Detección de averías

PROBLEMA	POSIBLES CAUSAS	SOLUCIÓN
Ranura muy angosta o muy ancha.	Rodillo de ranurado y/o eje de accionamiento desgastado.	Reemplace el rodillo de ranurado y/o eje de accionamiento.
La ranura no está perpendicular al eje del tubo.	Tubo torcido. Extremo del tubo no se encuentra en ángulo recto respecto al eje del tubo.	El tubo debe ser recto. Corte el extremo del tubo en 90 grados.
El tubo no avanza durante el ranurado, o bien, la ranuradora no avanza sobre el tubo.	Tubo y eje de accionamiento no están paralelos. El eje del tubo no se ha desviado en ½ grado en relación con el eje del rodillo de accionamiento. Estrías del rodillo de accionamiento tapadas o planas por el desgaste. Tornillo de alimentación no apretado. Trinquete se está girando en la dirección equivocada. Tubo tiene demasiadas escamas en su interior. Costura soldada es demasiado grande. No se le está aplicando presión al tubo. El extremo del tubo no está cortado en ángulo recto o tiene rebabas. Tornillo de alimentación demasiado apretado.	Ajuste el soporte para que el tubo esté paralelo. Desvíe el tubo en ½ grado. Limpie o reemplace el rodillo de accionamiento. Apriete el tornillo de alimentación con el trinquete después de cada revolución del tubo, como se indica. Gire el trinquete en el sentido correcto. Limpie el interior del tubo. Amole la costura soldada 2 pulgadas desde el extremo del tubo. Presione el tubo con su mano (<i>vea la Figura 10</i>). Prepare el extremo del tubo como se debe. Gire el tornillo de alimentación sólo de a ¼ de vuelta.
El tubo se abocina o acampana en el extremo ranurado.	Tubo y eje de accionamiento no están paralelos. Tornillo de alimentación demasiado apretado.	Ajuste el soporte para que el tubo quede paralelo al eje de accionamiento. Sólo apriete el tornillo de alimentación de a ¼ de vuelta.

Detección de averías (cont.)

PROBLEMA	POSIBLES CAUSAS	SOLUCIÓN
El tubo se balancea hacia atrás y hacia delante en el eje del rodillo de accionamiento durante el ranurado.	Tubo está torcido. Extremo del tubo no está e ángulo recto con respecto al eje del tubo.	Emplee un tubo recto. Corte el extremo del tubo en ángulo recto.
El tubo se mece para atrás y para adelante sobre el eje del rodillo de accionamiento durante el ranurado.	El soportatubos está puesto demasiado cerca del extremo del tubo. Extremo del tubo aplanado o dañado. Puntos duros en el material del tubo mismo o las soldaduras son más duras que el tubo. Alimentación del rodillo de ranurado muy lenta. Velocidad del accionamiento motorizado excede las 57 rpm. Soportatubos mal ubicados.	Acerque el soportatubos, situélo según instrucciones. Corte el extremo del tubo dañado. Use otro tubo. Alimente el rodillo ranurador más rápidamente sobre el tubo. Reduzca la velocidad a 57 rpm. Sitúe el portatubos donde corresponda según las instrucciones.
La Ranuradora no labra una ranura en el tubo.	Se excedió el espesor máximo de pared de tubo. Material del tubo demasiado duro. Tornillo de ajuste no se ha regulado. Accionamiento motorizado no entrega el par de torsión mínimo.	Consulte la tabla de espesores máximos de pared de tubos. Reemplace el tubo. Regule la profundidad. Emplee un Accionamiento Motorizado No. 300 de RIDGID de 38 rpm
La Ranuradora no labra la ranura según diámetro requerido.	El diámetro máximo del tubo excede lo tolerado. Tornillo de ajuste de la profundidad en posición incorrecta. Tubo demasiado duro.	Use tubería del diámetro correcto. Ajuste la profundidad. Use otro tipo de tubo.
El tubo se resbala o patina sobre el rodillo de accionamiento.	Velocidad del rodillo de ranurado muy lenta. Estrías del accionamiento tapadas de metal o aplanadas por el desgaste.	Alimente el rodillo ranurador más rápidamente sobre el tubo. Limpie o recambie el rodillo de accionamiento.
Ranuradora no hace girar el tubo durante el ranurado.	Accionamiento motorizado no entrega el par de torsión mínimo. Portaherramientas no se ha cerrado firmemente sobre los planos del eje de accionamiento.	Emplee un Accionamiento Motorizado No. 300 de RIDGID de 38 rpm Cierre bien el portaherramientas.
El tubo se levanta o inclina la Ranuradora hacia atrás.	Soportatubos mal situado.	Pare el portatubos como y donde se debe.

What is covered

RIDGID® tools are warranted to be free of defects in workmanship and material.

How long coverage lasts

This warranty lasts for the lifetime of the RIDGID® tool. Warranty coverage ends when the product becomes unusable for reasons other than defects in workmanship or material.

How you can get service

To obtain the benefit of this warranty, deliver via prepaid transportation the complete product to RIDGE TOOL COMPANY, Elyria, Ohio, or any authorized RIDGID® INDEPENDENT SERVICE CENTER. Pipe wrenches and other hand tools should be returned to the place of purchase.

What we will do to correct problems

Warranted products will be repaired or replaced, at RIDGE TOOL'S option, and returned at no charge; or, if after three attempts to repair or replace during the warranty period the product is still defective, you can elect to receive a full refund of your purchase price.

What is not covered

Failures due to misuse, abuse or normal wear and tear are not covered by this warranty. RIDGE TOOL shall not be responsible for any incidental or consequential damages.

How local law relates to the warranty

Some states do not allow the exclusion or limitation of incidental or consequential damages, so the above limitation or exclusion may not apply to you. This warranty gives you specific rights, and you may also have other rights, which vary, from state to state, province to province, or country to country.

No other express warranty applies

This FULL LIFETIME WARRANTY is the sole and exclusive warranty for RIDGID® products. No employee, agent, dealer, or other person is authorized to alter this warranty or make any other warranty on behalf of the RIDGE TOOL COMPANY.



Parts are available online at RIDGIDParts.com

**Ridge Tool Company**

400 Clark Street
Elyria, Ohio 44035-6001
U.S.A.

We
Build
Reputations™

RIDGID®


EMERSON™
Commercial & Residential Solutions

Ce qui est couvert

Les outils RIDGID® sont garantis contre tous vices de matériaux et de main d'oeuvre.

Durée de couverture

Cette garantie est applicable durant la vie entière de l'outil RIDGID®. La couverture cesse dès lors que le produit devient inutilisable pour raisons autres que des vices de matériaux ou de main d'oeuvre.

Pour invoquer la garantie

Pour toutes réparations au titre de la garantie, il convient d'expédier le produit complet en port payé à la RIDGE TOOL COMPANY, Elyria, Ohio, ou bien le remettre à un réparateur RIDGID® agréé. Les clés à pipe et autres outils à main doivent être ramenés au lieu d'achat.

Ce que nous ferons pour résoudre le problème

Les produits sous garantie seront à la discrétion de RIDGE TOOL, soit réparés ou remplacés, puis réexpédiés gratuitement ; ou si, après trois tentatives de réparation ou de remplacement durant la période de validité de la garantie le produit s'avère toujours défectueux, vous aurez l'option de demander le remboursement intégral de son prix d'achat.

Ce qui n'est pas couvert

Les défaillances dues au mauvais emploi, à l'abus ou à l'usure normale ne sont pas couvertes par cette garantie. RIDGE TOOL ne sera tenue responsable d'aucuns dommages directs ou indirects.

L'influence de la législation locale sur la garantie

Puisque certaines législations locales interdisent l'exclusion des dommages directs ou indirects, il se peut que la limitation ou exclusion ci-dessus ne vous soit pas applicable. Cette garantie vous donne des droits spécifiques qui peuvent être éventuellement complétés par d'autres droits prévus par votre législation locale.

Il n'existe aucune autre garantie expresse

Cette GARANTIE PERPETUELLE INTEGRALE est la seule et unique garantie couvrant les produits RIDGID®. Aucun employé, agent, distributeur ou tiers n'est autorisé à modifier cette garantie ou à offrir une garantie supplémentaire au nom de la RIDGE TOOL COMPANY.

Qué cubre

Las herramientas RIDGID® están garantizadas contra defectos de la mano de obra y de los materiales empleados en su fabricación.

Duración de la cobertura

Esta garantía cubre a la herramienta RIDGID® durante toda su vida útil. La cobertura de la garantía caduca cuando el producto se torna inservible por razones distintas a las de defectos en la mano de obra o en los materiales.

Cómo obtener servicio

Para obtener los beneficios de esta garantía, envíe mediante porte pagado, la totalidad del producto a RIDGE TOOL COMPANY, en Elyria, Ohio, o a cualquier Servicentro Independiente RIDGID®. Las llaves para tubos y demás herramientas de mano deben devolverse a la tienda donde se adquirieron.

Lo que hacemos para corregir el problema

El producto bajo garantía será reparado o reemplazado por otro, a discreción de RIDGE TOOL, y devuelto sin costo; o, si aún resulta defectuoso después de haber sido reparado o sustituido tres veces durante el período de su garantía, Ud. puede optar por recibir un reembolso por el valor total de su compra.

Lo que no está cubierto

Esta garantía no cubre fallas debido al mal uso, abuso o desgaste normal. RIDGE TOOL no se hace responsable de daño incidental o consiguiente alguno.

Relación entre la garantía y las leyes locales

Algunos estados de los EE.UU. no permiten la exclusión o restricción referente a daños incidentales o consiguientes. Por lo tanto, puede que la limitación o restricción mencionada anteriormente no rija para Ud. Esta garantía le otorga derechos específicos, y puede que, además, Ud tenga otros derechos, los cuales varían de estado a estado, provincia a provincia o país a país.

No rige ninguna otra garantía expresa

Esta GARANTIA VITALICIA es la única y exclusiva garantía para los productos RIDGID®. Ningún empleado, agente, distribuidor u otra persona está autorizado para modificar esta garantía u ofrecer cualquier otra garantía en nombre de RIDGE TOOL COMPANY.

EMERSON. CONSIDER IT SOLVED.™