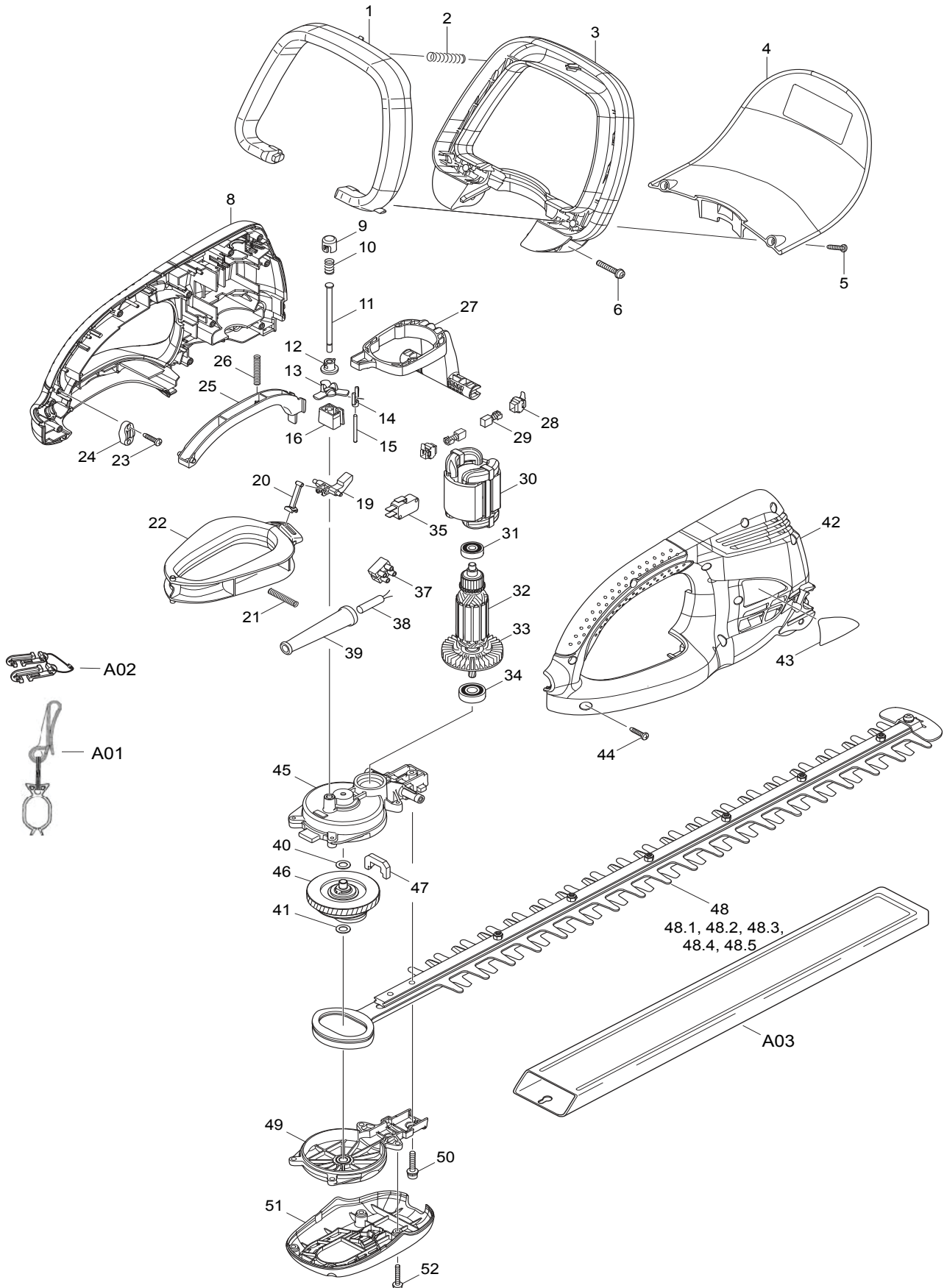




PARTS BREAKDOWN

UH6570

HT-365



Products with multiple versions are listed in subsiding order with the newest version on top not indented.

Section	Fig. No.	Part No.	Description	UH6570	HT-365	Tech Bulletin	Notes
1	1	450444-8	SWITCH LEVER B	1	1		
1	2	233157-4	COMPRESSION SPRING 9	1	1		
1	3	450442-2	FRONT GRIP	1	1		
1	4	158912-2	PROTECTOR COMPLETE	1	1		
1	5	265995-6	TAPPING SCREW 4X18	2	2		
1	6	911253-5	PAN HEAD SCREW M5X30	2	2		
1	8	188567-9	HOUSING SET, BLUE INC 42	1			MAKITA
1	8	188568-7	HOUSING SET, RED INC 42		1		DOLMAR
1	9	417740-7	INSULATION CAP	1	1		
1	10	233288-9	COMPRESSION SPRING 8	1	1		
1	11	268077-3	PIN 5	1	1		
1	12	417727-9	CAP HOLDER	1	1		
1	13	417736-8	LIFTER	1	1		
1	14	417735-0	PUSHER CAP	1	1		
1	15	268237-7	ROD 3	1	1		
1	16	417781-3	PIN HOLDER	1	1		
1	19	417737-6	LINK	1	1		
1	20	417739-2	ROD	1	1		
1	21	233156-6	COMPRESSION SPRING 5	1	1		
1	22	417731-8	SWITCH LEVER C	1	1		
1	23	265995-6	TAPPING SCREW 4X18	2	2		
1	24	687063-9	STRAIN RELIEF	1	1		
1	25	450443-0	SWITCH LEVER A	1	1		
1	26	233156-6	COMPRESSION SPRING 5	1	1		
1	27	450488-8	LEVER	1	1		
1	28	643935-8	BRUSH HOLDER	2	2		
1	29	CB407	CARBON BRUSH SET, 195007-0	1	1		
1	30	621731-4	FIELD 115V	1	1		
1	31	211027-7	BALL BEARING 627ZZ	1	1		
1	32	515736-3	ARMATURE ASSEMBLY 115V	1	1		
1	33	241850-6	FAN 60	1	1		
1	34	211062-5	BALL BEARING 6000ZZ	1	1		
1	35	650608-6	SWITCH D3B6-V1AA	1	1		
1	37	654531-7	TERMINAL BLOCK 2P	1	1		

Products with multiple versions are listed in subsiding order with the newest version on top not indented.

Section	Fig. No.	Part No.	Description	UH6570	HT-365	Tech Bulletin	Notes
1	38	660293-7	POWER SUPPLY CORD	1	1		
1	39	682503-2	CORD GUARD 8-90	1	1		
1	40	253215-0	FLAT WASHER 8	1	1		
1	41	253215-0	FLAT WASHER 8	1	1		
1	42	188567-9	HOUSING SET, BLUE INC 8	1			MAKITA
1	42	188568-7	HOUSING SET, RED INC 8		1		DOLMAR
1	44	265995-6	TAPPING SCREW 4X18	10	10		
1	45	158625-5	GEAR HOUSING COMPLETE	1	1		
1	46	158624-7	GEAR COMPLETE	1	1		
1	47	443142-1	DUST GUARD	1	1		
1	48	194669-1	SHEAR BLADE ASSEMBLY SET, UH6570	1	1		
1	48.1	264013-7	HEX LOCK NUTM5-8	1	1		NOT PICTURED
1	48.2	345205-8	END COVER	1	1		NOT PICTURED
1	48.3	911208-0	PAN HEAD SCREW M5X10	1	1		NOT PICTURED
1	48.4	257766-5	SLEEVE 5	1	1		NOT PICTURED
1	48.5	265181-9	+ TRUSS HEAD SCREW M5X20	1	1		NOT PICTURED
1	49	158626-3	GEAR HOUSING COVER COMPLETE	1	1		
1	50	265182-7	+ PAN HEAD SCREW M5X25	2	2		
1	51	450441-4	UNDER COVER	1	1		
1	52	911148-2	PAN HEAD SCREW M4X25	4	4		
1	A01	194677-2	CORD HOLDER COMPLETE SET	1	1		
1	A02	158024-1	HOOK COMPLETE	1	1		
1	A03	450490-1	BLADE COVER	1			
1	A03	450492-7	BLADE COVER		1		