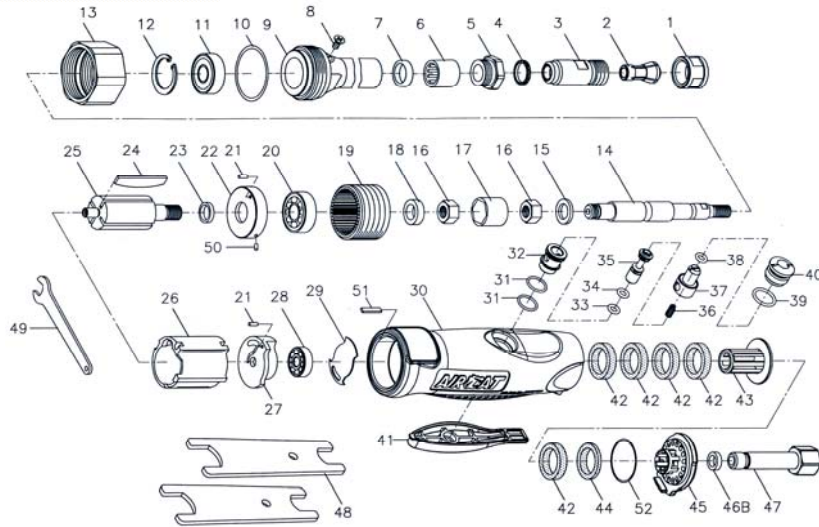




Straight Die Grinder Model # 6210 /Composite



Ref. No.	Part No.	Description	Q'ty	Ref. No.	Part No.	Description	Q'ty
1	511-001	Collect Nut	1	27	218F-023	Rear End Plate	1
2	511-002B	Collect	1	28	00-2323	Ball Bearing	1
3	514-003-B	Spindle	1	29	218F-045	Rear Gasket	1
4	514-008	Wooly Muffler	1	30	218F-025	Motor Housing	1
5	514-009	Front Cover	1	31	00-41121	O-Ring	2
6	00-2408A	Needle Bearing	1	32	218F-026	Bushing	1
7	514-007	Washer	1	33	00-41133	O-Ring	1
8	00-0407	Screw	1	34	00-41132	O-Ring	1
9	514-001-B	Spindle Housing	1	35	218F-027	Valve Stem	1
10	216-040	Gasket	1	36	218F-029	Spring	1
11	00-2330	Ball Bearing	1	37	551F-038	Regulator	1
12	00-3109	Snap Ring	1	38	SC601-29	O-Ring	1
13	216-014	Clamp Nut	1	39	00-41134	O-Ring	1
14	514-002-B	Shaft	1	40	551F-030	Valve Plug	1
15	514-005-B	Washer	1	41	218F-043	Throttle Lever	1
16	514-006	Nut	2	42	218F-038	Muffler	5
17	514-004-B	Coupling	1	43	218F-039	Muffler Tube	1
18	516-003	Spacer	1	44	218F-047	Muffler	1
19	216-015	Idler Gear Housing	1	45	218F-042	Exhaust Deflector	1
20	00-2314	Ball Bearing	1	46B	218F-050	Bushing	1
21	00-3325	Spring Pin	2	47	218F-034C	Air Inlet (1/4"NPT)	1
22	511-019	Front End Plate	1	48	511-007	Spanner	2
23	511-006	Spacer	1	49	514-010	Spanner	1
24	216-021	Rotor Blade	4	50	00-3328	Spring Pin	1
25	514-020-B	Rotor	1	51	216-037	Seal Lump	1
26	511-022	Cylinder	1	52	00-4159	O-Ring	1