



## Assembly Instructions and Parts List

# Stand for JWL-1015/1015VS Lathes

Stock No. 719102

**WARNING** Read and understand the entire owner's manual that accompanied your JWL-1015 lathe before attempting assembly or operation of accessories.

Inspect contents for shipping damage. Report any damage or part shortages to your distributor. Do not discard shipping materials until accessory is set up and functioning properly.

### Shipping contents

- 1 Cross bar
- 2 Stands
- 2 Tubes
- 2 Brackets
- 8 Socket head cap screws, 5/16x1"
- 4 Socket head button screws, 5/16x1"
- 4 Socket head button screws, 5/16x1/2"
- 12 Lock washers, 5/16"
- 16 Flat washers, 5/16"

### Tools required for assembly

- 1/4" hex key ("Allen wrench")
- 9/16" (or adjustable) wrench

### Assembly

(Bracketed numbers refer to index numbers in exploded view.)

1. Assemble the stands [2] to the tubes [3], with socket head cap screws [8], lock washers [7] and flat washers [6]. Firmly tighten screws.
2. Install a leveler [4] with nut [11] into each end of the stands. A leveler can be adjusted for height and leveling of the lathe, and the nut tightened up against the stand [2] to secure the setting.
3. Mount a bracket [1] to each leg set with two 5/16x1" button head screws [5] and washers [6/7]. Multiple holes allow adjustment of lathe height. Tighten screws.

4. *Note: The bracket [1] ledges must face toward each other.* Install cross bar [9] with four button screws and washers [10/6]. **Do not fully tighten yet.**
5. Place the lathe onto the stand brackets, and secure with 5/16x1" socket head cap screws [8] and washers [6/7]. Insert all four screws first, then tighten each securely.
6. Fully tighten the screws in the cross bar [9].



### Specifications

- Stock number: 719102
- Assembled dimensions: 693mm L x 575mm W x 840mm H (27.3" x 22.64" x 33.07")
- Net weight: 26 kg (57 lb)
- Shipping dimensions: 803mm L x 361mm W x 197mm H (31.61"L x 14.2"W x 7.76")
- Shipping weight: 27 kg (59 lb)

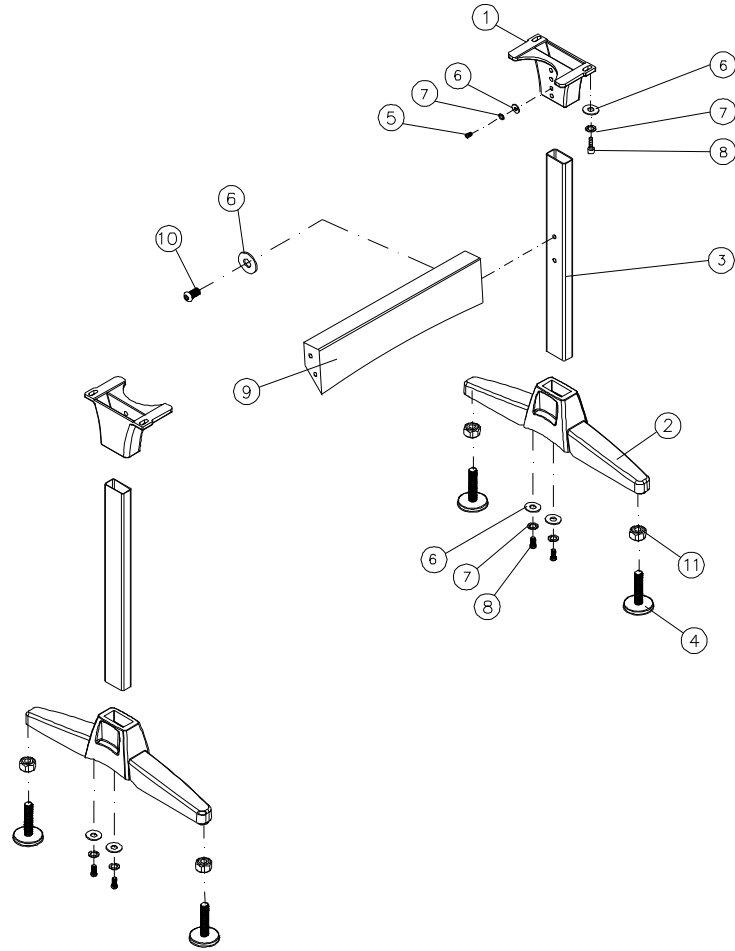
### WALTER MEIER (Manufacturing) Inc.

427 New Sanford Road  
LaVergne, Tennessee 37086  
Ph.: 800-274-6848  
www.waltermeier.com

**Manual No. M-719102**  
Revision A 07/2013

Copyright © 2013 Walter Meier (Manufacturing) Inc.

# # 719102 Stand for JWL-1015/1015VS Lathes



Index No	Part No	Description	Size	Qty
1	JWL1015-201	Upper Bracket		2
2	JWL1015-202	Stand		2
3	JWL1015-203	Tube		2
4	JWL1015-204	Leveler		4
5	JWL1221VS-417	Socket Head Button Screw	5/16"-18x1"	4
6	TS-0680031	Flat Washer	5/16"	16
7	TS-0720081	Lock Washer	5/16"	12
8	TS-0208061	Socket Head Cap Screw	5/16"-18x1"	8
9	JWL1015-209	Cross Bar		1
10	TS-0255021	Socket Head Button Screw	5/16"-18x1/2"	4
11	TS-0561031	Hex Nut	3/8"-16	4

To order parts or reach our service department, call 1-800-274-6848 Monday through Friday (see our website for business hours, [www.jettools.com](http://www.jettools.com)). Having the Model Number and Serial Number of your machine available when you call will allow us to serve you quickly and accurately.