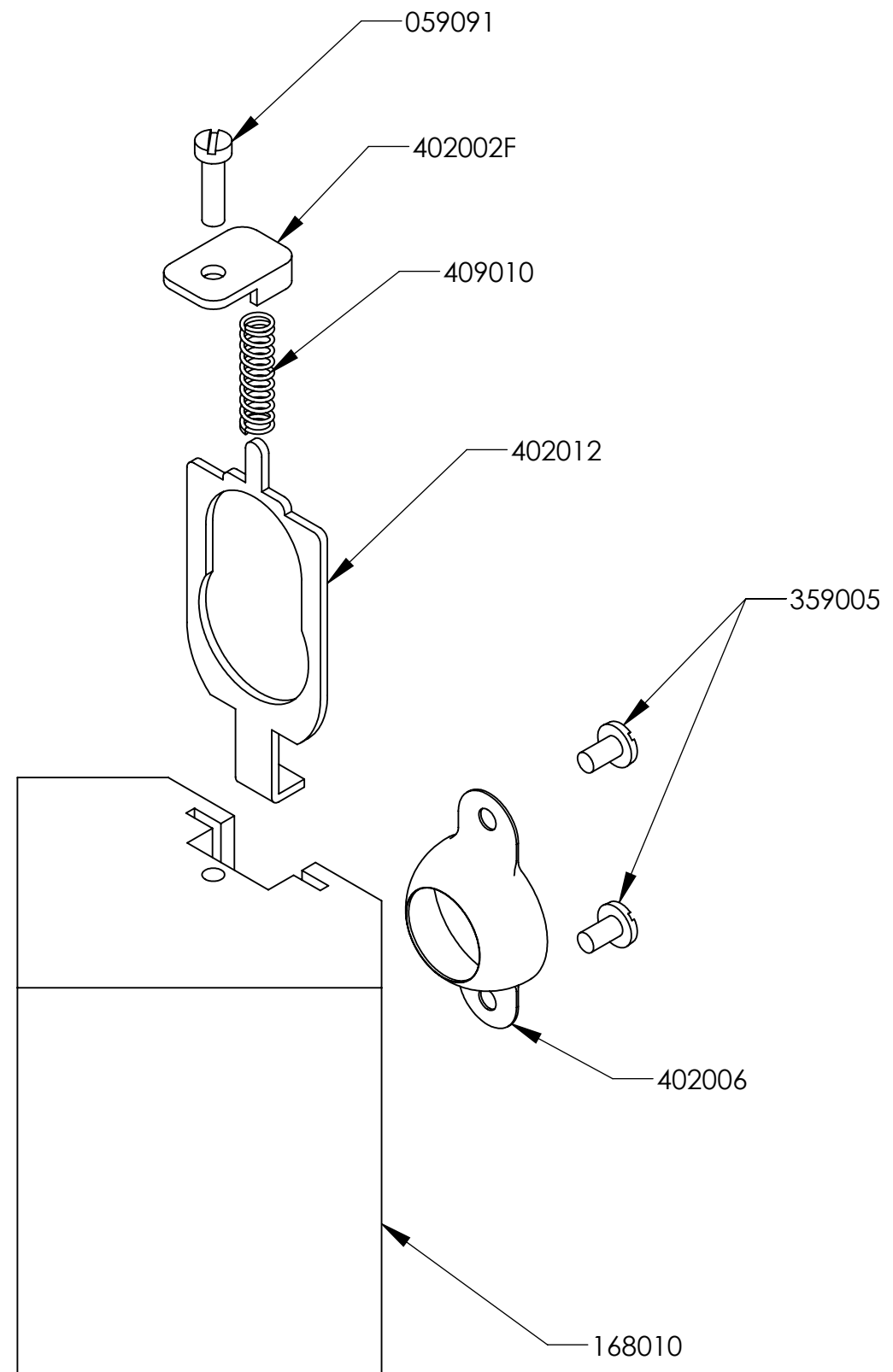


NOTES:
1) NOT ALL FEATURES SHOWN

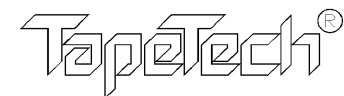
REVISIONS				
ECN	REV	DESCRIPTION	DATE	BY
1397	A	RELEASED FOR PRODUCTION	4-Nov	HM



PART NUMBER	DESCRIPTION	16TT90/QTY.
059091	6-32 X 1/2 SL. FILLISTER HD. SCREW	1
402002F	SPRING RETAINER	1
409010	SPRING	1
402012	BALL RETAINER	1
359005	6-32 X 1/4 BINDING HD. SCREW	2
402006	INSERT SOCKET	1
168010	INSIDE 90 MUDHEAD BODY	1

	BY	DATE
DRAWN	HM	11/04
CHECKED	MWJ	11/04
ALL DIMENSIONS IN INCHES UNLESS OTHERWISE NOTED		
TOLERANCES UNLESS NOTED		
.XX ± 0.010"	ANGULAR ±.5°	
.XXX ± 0.005"		
MATERIAL: N/A		

90 DEG INSIDE CORNER MUDHEAD, TT


an Axia Enterprise

SIZE B	SCALE = 1:1	DWG. NO. 16TT90	REV. A
ASSEMBLY REF. NO. 16TT90 ASSY			SHEET 1 of 1