

## Nexus® WASHLET®+ S550e One-Piece Toilet - 1.28 GPF

### FEATURES

- Concealed supply connection for seamless installation
- TORNADO FLUSH® system, high-efficiency (1.28 GPF/4.8 LPF)
- CEFIONTECT® ceramic glaze prevents debris and mold from sticking to ceramic surfaces
- Completely skirted design for a sleek and understated look that's easier to clean
- Universal Height
- 12" Rough-in
- Chrome plated trip lever
- Elongated front bowl and WASHLET+ S550e and tank set
- EWATER+® auto-cleans wand and bowl
- On-demand remote function cleans wand with EWATER+
- PREMIST of bowl before each use
- Remote control operated
- Auto Flush available as upgrade
- Auto Open / Close Lid
- Night Light

### MODELS & COMPONENTS

- **MW6423056CEFGA (#01)**  
With CEFIONTECT ceramic glaze & WASHLET+ S550e with contemporary design and auto flush
    - **CST642CUFGAT40**  
Elongated bowl with CEFIONTECT
    - **SW3056AT40**  
WASHLET+ S550e - Auto Flush compatible
    - **THU767**  
Auto Flush Kit
  - **MW6423056CEFG (#01)**  
Same as MW6423056CEFGA without Auto Flush
    - **CST642CUFGAT40**  
Elongated bowl with CEFIONTECT
    - **SW3056T40**  
WASHLET+ S550e - Non Auto Flush compatible
- Optional Components**
- **TSU010W.14**  
14" Unifit Rough-In
  - **THU750#01**  
Trip Lever - Cotton
  - **THU750#PN**  
Trip Lever - Polished Nickel
  - **THU750#BN**  
Trip Lever - Brushed Nickel

### COLORS/FINISHES

- #01 Cotton



- **TORNADO FLUSH**
- **EWATER+**
- **CEFIONTECT**
- **Auto Flush**
- **Universal Height**

### PRODUCT SPECIFICATION

The one-piece high-efficiency TORNADO FLUSH system toilet shall be 1.28 GPF/4.8 LPF. Toilet shall be 12" Unifit rough-in. Toilet shall have optional CEFIONTECT ceramic glaze and be at Universal Height. Toilet shall have elongated front bowl with SoftClose seat and Polished Chrome trip lever. Toilet shall be TOTO Model MW6423056CEFG\_\_#01.

See SW3056(A)T40 Specification Sheet for details on included WASHLET.

### CODES/STANDARDS

- Meets or exceeds ASME A112.19.2/CSA B45.1
- Certifications: IAPMO(cUPC), EPA Watersense, State of Massachusetts, City of Los Angeles, and others
- Code compliance: UPC, IPC, NSPC, NPC Canada, and others
- Legislative Compliance: California AB715, California Green Building Code, City of Los Angeles Water Efficiency Ordinance
- ADA compliant (when installed with trip lever located on the approach side)
- Complies with CA Prop 65 warning requirements



# MW6423056CEFG(A)

## Nexus® WASHLET®+ S550e One-Piece Toilet - 1.28 GPF

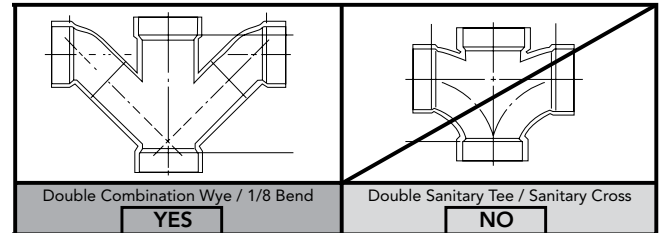
### SPECIFICATIONS

<b>Water Use</b>	1.28 GPF (4.8 LPF)
<b>Flush System</b>	TORNADO FLUSH®
<b>Min. Water Pressure</b>	8 psi (Static)
<b>Water Surface</b>	6-5/8" x 9-1/8"
<b>Trap Diameter</b>	2-1/8"
<b>Rough-in</b>	12" (14" Optional)
<b>Trap Seal</b>	2-1/4"
<b>Warranty</b>	One Year Limited Warranty
<b>Material</b>	Vitreous China
<b>Shipping Weight</b>	110 lbs
<b>Shipping Dimensions</b>	18-1/2" W x 21-3/4" H1 x 27-1/2" H2 x 29-1/2" L

See SW3056(A)T40 Specification Sheet for details on included WASHLET.

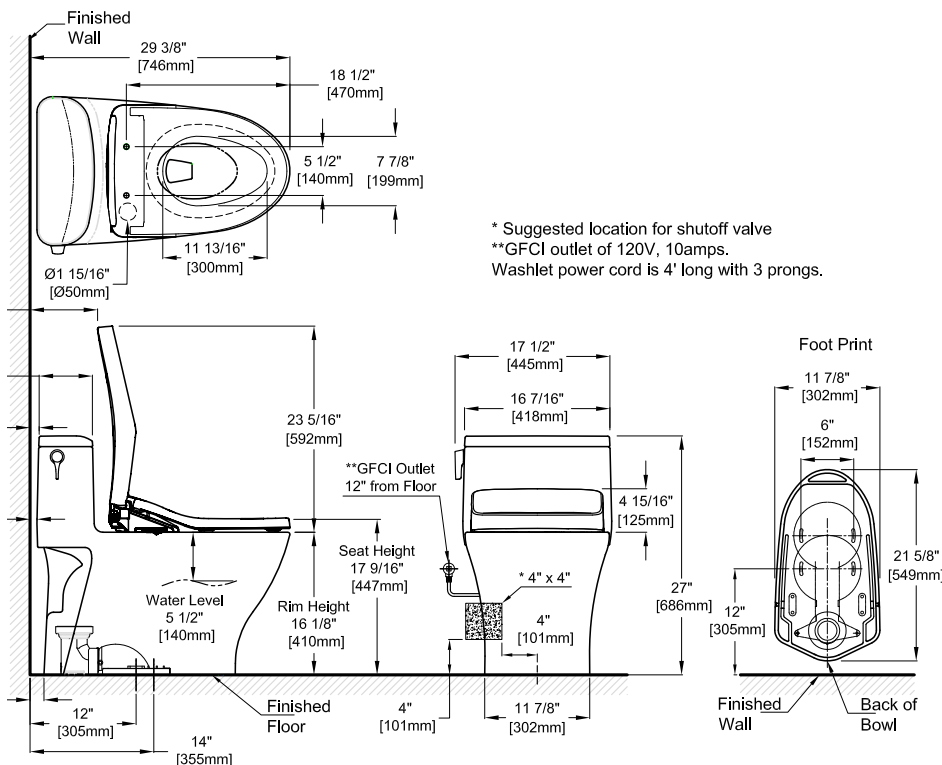
### INSTALLATION NOTES

Back-to-Back Toilet Installations:  
TOTO recommends the use of a nationally listed, double sanitary tee-wye only, in vertical waste stacks, in accordance with the stipulations noted in the majority of nationally recognized plumbing codes.



To maintain adequate wall gap between the back of the tank and wall, mount the floor flange at a nominal 12" rough-in distance.

### DIMENSIONS



\* Suggested location for shutoff valve  
\*\*GFCI outlet of 120V, 10amps.  
Washlet power cord is 4' long with 3 prongs.

**TOTO®**

These dimensions and specifications are subject to change without notice