



SPX Corporation
 655 Eisenhower Drive
 Owatonna, MN 55060-0995 USA
 Phone: (507) 455-7000
 Tech. Serv.: (800) 533-6127
 Fax: (800) 955-8329
 Order Entry: (800) 533-6127
 Fax: (800) 283-8665
 International Sales: (507) 455-7290
 Fax: (507) 455-7063

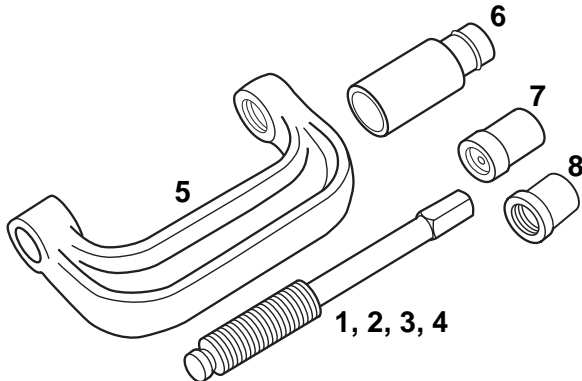
Form No. 106214

Parts List &
 Operating Instructions for:

5038
 314513

Brake Anchor Pin and Bushing Service Set

Application: Tractor and Trailer "Q" Air Brake Systems with 16 $\frac{1}{2}$ " Outboard Drums

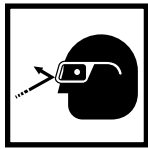


Item No.	Part No.	No. Req'd	Description
1	314509	1	Special Forcing Screw
2	14472	1	Ball
3	10273	1	O-ring
4	314392	1	Plug
5	41925	1	C-frame (for 5038 only)
6	314510	1	Receiving Tube
7	314511	1	Bushing Remover
8	314512	1	Bushing Installer
-	308343	1	Carrying Case (for 5038 only)

Safety Precautions



Caution: To prevent personal injury:



- Wear protective eyewear that meets ANSI Z87.1 and OSHA standards.
- Before performing any repairs on a vehicle, block all wheels to prevent movement.
- Check the final alignment of tooling and components before using the C-frame press to exert pressure.

Operating Instructions

(Item numbers refer to the parts list.)

Important: Apply thread lubricant (supplied) to the forcing screw threads before using this tool the first time; this will improve tool operation and prolong thread life. Then regularly clean and re-lubricate the forcing screw.

Brake Anchor Pin Removal

1. With the receiving tube (Item #6) in place, position the C-frame over the anchor pin and spider as shown in Figure 1.
2. Tighten the forcing screw until the anchor pin is removed.

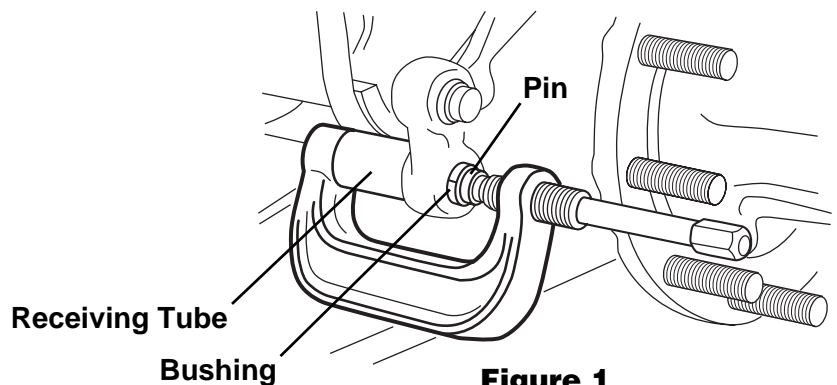


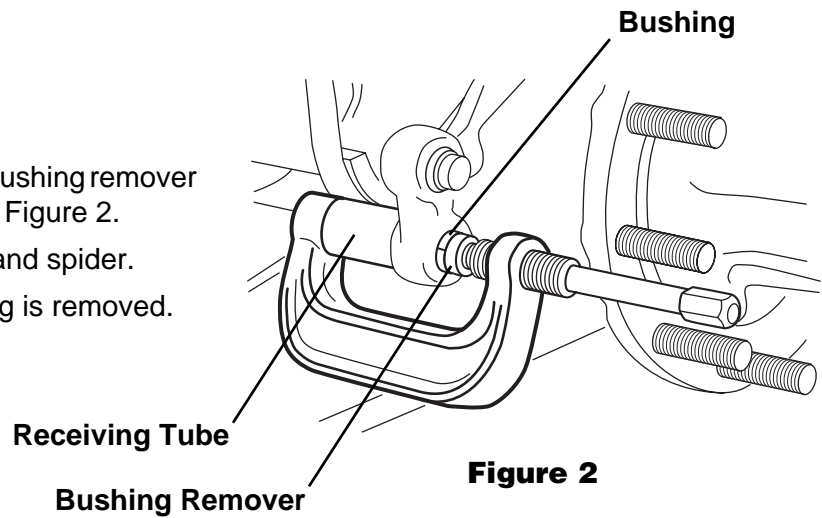
Figure 1

Sheet No. 1 of 1

Issue Date: 9-22-98

Bushing Removal

1. With the receiving tube in place, insert the bushing remover (#7) into the bushing to be removed. See Figure 2.
2. Assemble the C-frame over the bushing and spider.
3. Tighten the forcing screw until the bushing is removed.



Bushing Installation

1. With the receiving tube in place, position the new bushing loosely, and as straight as possible, into the brake spider opening.
2. Place the bushing installer (#8) into the bushing.
3. Assemble the C-frame over the brake spider and into the installer. See Figure 3.
4. Tighten the forcing screw while holding the assembly as straight as possible. Install the bushing until the installer bottoms on the spider face.

