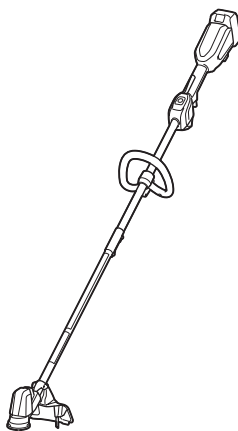


**INSTRUCTION MANUAL  
MANUAL DE INSTRUCCIONES**



# **Cordless Grass Trimmer Cortador Inalámbrico de Pasto**

## **XRU23**



**IMPORTANT:** Read Before Using.  
**IMPORTANTE:** Lea antes de usar.

## SPECIFICATIONS

<b>Model:</b>		<b>XRU23</b>
Type of handle		Loop handle
No load speed		2: 0 - 6,000/min 1: 0 - 4,500/min
Overall length (without cutting tool)		1,670 mm (65-3/4")
Nylon cord diameter		2.0 mm (0.08")
Applicable cutting tool and cutting diameter	Nylon cutting head (P/N: 191D89-4)	330 mm (13")
Rated voltage		D.C. 18 V
Net weight		2.6 - 2.9 kg (5.7 - 6.4 lbs)

- Due to our continuing program of research and development, the specifications herein are subject to change without notice.
- Specifications may differ from country to country.
- The weight may differ depending on the attachment(s), including the battery cartridge. The lightest and heaviest combination, according to EPTA-Procedure 01/2014, are shown in the table.

### Applicable battery cartridge and charger

Battery cartridge	BL1815N / BL1820B / BL1830 / BL1830B / BL1840B / BL1850B / BL1860B
Charger	DC18RC / DC18RD / DC18RE / DC18SD / DC18SE / DC18SF / DC18SH

- Some of the battery cartridges and chargers listed above may not be available depending on your region of residence.

**⚠ WARNING: Only use the battery cartridges and chargers listed above.** Use of any other battery cartridges and chargers may cause injury and/or fire.

### Recommended battery adapter

Battery adapter	PDC01
-----------------	-------

- The battery adapter(s) listed above may not be available depending on your region of residence.
- Before using the battery adapter, read instruction and cautionary markings on the battery adapter.

## SAFETY WARNINGS

### Important safety instructions

**⚠ WARNING: When using electric gardening appliances, basic safety precautions should always be followed to reduce the risk of fire, electric shock, and personal injury, including the following.**

### Read All Instructions

Failure to follow the warnings and instructions may result in electric shock, fire and/or serious injury.

### SAVE THESE INSTRUCTIONS.

#### General instructions

1. **Never allow people unfamiliar with these instructions or children to use the machine. Local regulations can restrict the age of the operator.** It is dangerous in the hands of untrained users or children.

2. **Be sure that anyone who is to operate the string trimmer has first read the instruction manual.**
3. **Use the string trimmer with the utmost care and attention.**
4. **Operate the string trimmer only if you are in good physical condition. Perform all work calmly and carefully. Use common sense and keep in mind that the operator or user is responsible for accidents or hazards occurring to other people or their property.**
5. **Never operate the string trimmer when tired, feeling ill or under the influence of alcohol or drugs.**
6. **Avoid accidentally starting:**
  - **Ensure the switch is in the off position before installing the battery pack.** Inserting the battery pack into the string trimmer with the switch on invites accidents.
  - **Carrying the string trimmer with your finger on the switch invites accidents.**

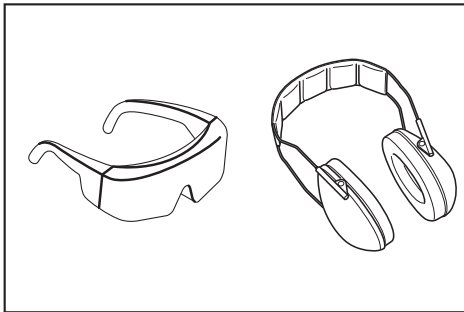
7. **The string trimmer should be switched off immediately if it shows any signs of abnormal operation.**
8. **Don't force the tool.** It will do the job better and with less likelihood of a risk of injury at the rate for which it was designed.
9. **Don't overreach. Keep proper footing and balance at all times.**
10. **Stay Alert - Watch what you are doing. Use common sense. Do not operate appliance when you are tired.**
11. **Store idle appliances indoors.**
12. **Keep fingers away from switch trigger when not operating the tool and when moving from one operating position to another.**

#### Intended use of the tool

1. **Use right tool.** The cordless string trimmer is only intended for cutting grass and light weeds. It should not be used for any other purpose such as edging or hedge cutting as this may cause injury.
2. **Use only the manufacturer's recommended accessories and attachments.** Use of any other accessories and attachments may increase the risk of injury.

#### Personal protective equipment

1. **Dress Properly.** The clothing worn should be functional and appropriate, i.e. it should be tight-fitting but not cause hindrance. Do not wear loose clothing or jewelry. They can be caught in moving parts. Wear protective hair covering to contain long hair.
2. **In order to avoid either head, eye, hand or foot injuries as well as to protect your hearing the following protective equipment and protective clothing must be used during operation of the equipment.**



3. **Use safety glasses.** Protective goggles protect your eyes from flying debris and stones. During operation of the tool always wear goggles to prevent eye injuries.
4. **Wear adequate noise protection equipment to avoid hearing impairment (ear muffs, ear plugs etc.).**



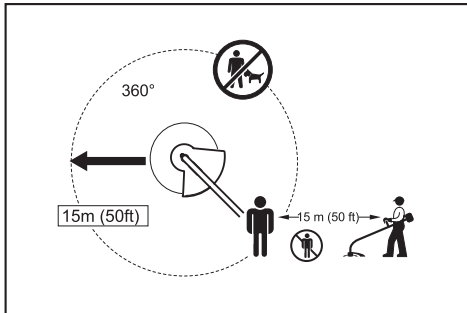
5. **Work overalls protect against injury from flying stones and debris. It is strongly recommended that the user wears work overalls.**
6. **Use a dust mask if operation is dusty.**

#### Electrical and battery safety

1. **Avoid dangerous environment. Don't use the tool in damp or wet locations or expose it to rain.** Water entering the tool will increase the risk of electric shock.
2. **Prevent unintentional starting. Ensure the switch is in the off-position before connecting to battery pack, picking up or carrying the machine.** Carrying the machine with your finger on the switch or energizing machine that have the switch on invites accidents.
3. **Disconnect the battery pack from the machine before making any adjustments, changing accessories, or storing machine.** Such preventive safety measures reduce the risk of starting the machine accidentally.
4. **Recharge only with the charger specified by the manufacturer.** A charger that is suitable for one type of battery pack may create a risk of fire when used with another battery pack.
5. **Use machines only with specifically designated battery packs.** Use of any other battery packs may create a risk of injury and fire.
6. **When battery pack is not in use, keep it away from other metal objects, like paper clips, coins, keys, nails, screws or other small metal objects, that can make a connection from one terminal to another.** Shorting the battery terminals together may cause burns or a fire.
7. **Under abusive conditions, liquid may be ejected from the battery; avoid contact. If contact accidentally occurs, flush with water. If liquid contacts eyes, seek medical help.** Liquid ejected from the battery may cause irritation or burns.
8. **Do not use a battery pack or machine that is damaged or modified. Damaged or modified batteries may exhibit unpredictable behaviour resulting in fire, explosion or risk of injury.**
9. **Do not expose a battery pack or machine to fire or excessive temperature. Exposure to fire or temperature above 130°C (265°F) may cause explosion.**
10. **Follow all charging instructions and do not charge the battery pack or machine outside of the temperature range specified in the instructions.** Charging improperly or at temperatures outside of the specified range may damage the battery and increase the risk of fire.

11. **Have servicing performed by a qualified repair person using only identical replacement parts.**  
This will ensure that the safety of the product is maintained.
12. **Do not modify or attempt to repair the machine or the battery pack except as indicated in the instructions for use and care.**
13. **Do not dispose of the battery(ies) in a fire.**  
The cell may explode. Check with local codes for possible special disposal instructions.
14. **Do not open or mutilate the battery(ies).**  
Released electrolyte is corrosive and may cause damage to the eyes or skin. It may be toxic if swallowed.
15. **Do not charge battery in rain, or in wet locations.**

#### Starting up the tool



1. **Make sure that there are no children or other people within a working range of 15 meters (50 ft), also pay attention to any animals in the working vicinity. Otherwise stop using the tool.**
  2. **Before use always check that the tool is safe for operation. Check the security of the nylon cutting head and the guard and the switch trigger/lever for easy and proper action. Check for clean and dry handles and test the on/off function of the switch.**
  3. **Check damaged parts before further use of the tool. A guard or other part that is damaged should be carefully checked to determine that it will operate properly and perform its intended function. Check for alignment of moving parts, binding of moving parts, breakage of parts, mounting, and any other condition that may affect its operation. A guard or other part that is damaged should be properly repaired or replaced by our authorized service center unless indicated elsewhere in this manual.**
  4. **Switch on the motor only when hands and feet are away from the nylon cutting head.**
  5. **Before starting make sure that the nylon cutting head has no contact with hard objects such as branches, stones etc. as the nylon cutting head will revolve when starting.**
  6. **Remove any adjusting key or wrench before turning the power tool on.** An accessory left attached to a rotating part of the power tool may result in personal injury.
  7. **Make sure there are no electrical cables, water pipes, gas pipes etc. that could cause a hazard if damaged by use of the tool.**
  8. **Do not use a cutting tool which is not recommended by Makita.**
  9. **Do not operate the tool in bad weather or if there is a risk of lightning.**
- #### Method of operation
1. **Only use the tool in good light and visibility. During the winter season beware of slippery or wet areas, ice and snow (risk of slipping). Always ensure a safe footing.**
  2. **Take care against injury to feet and hands from the nylon cutting head.**
  3. **Never cut above waist height.**
  4. **Never stand on a ladder and run the tool.**
  5. **Never climb up into trees to perform cutting operation with the tool.**
  6. **Never work on unstable surfaces.**
  7. **Remove sand, stones, nails etc. found within the working range.** Foreign particles may damage the nylon cutting head.
  8. **Should the nylon cutting head hit stones or other hard objects, immediately switch off the motor and inspect the nylon cutting head.**
  9. **Before commencing cutting, the nylon cutting head must have reached full working speed.**
  10. **During operation always hold the tool with both hands. Never hold the tool with one hand during use. Always ensure a safe footing.**
  11. **The nylon cutting head has to be equipped with the guard. Never run the tool with damaged guards or without guards in place!**
  12. **All protective equipment such as guards supplied with the string trimmer must be used during operation.**
  13. **Except in case of emergency, never drop or cast the tool to the ground or this may severely damage the tool.**
  14. **Never drag the tool on the ground when moving from place to place, the tool may become damaged if moved in this manner.**
  15. **Always remove the battery cartridge from the tool:**
    - whenever leaving the tool unattended;
    - before clearing a blockage;
    - before checking, cleaning or working on the tool;
    - whenever the tool starts vibrating abnormally;
    - whenever transporting the tool.
  16. **Always ensure that the ventilation openings are kept clear of debris.**
  17. **Cutting elements continue to rotate after the motor is switched off.**
  18. **Do not operate power tools in explosive atmospheres, such as in the presence of flammable liquids, gases or dust.** Power tools create sparks which may ignite the dust or fumes.
  19. **Take a rest to prevent loss of control caused by fatigue.** We recommend to take a 10 to 20-minute rest every hour.
  20. **Hold the power tool by insulated gripping surfaces only, because the cutting tool may contact hidden wiring.** Cutting tool contacting a "live" wire may make exposed metal parts of the power tool "live" and could give the operator an electric shock.

21. Do not use the tool on steep slopes.
22. The shoulder harness must be used during operation, if supplied with the tool.
23. Do not start the tool when the cutting tool is tangled with cut grass.
24. Before starting the tool, be sure that the cutting tool is not touching the ground and other obstacles such as a tree.
25. Always keep your hands, face, and clothes away from the cutting tool when it is rotating. Failure to do so may cause personal injury.
26. Only use the cutting tool that are marked with a speed equal or higher than the speed marked on the tool.

#### Maintenance instructions

1. The condition of the nylon cutting head, protective devices must be checked before commencing work.
2. Turn off the motor and remove the battery cartridge before carrying out maintenance, replacing the nylon cutting head or nylon cord and cleaning the tool.
3. Check for loose fasteners and damaged parts such as cracks in the nylon cutting head.
4. Follow instructions for lubricating and changing accessories if applicable.
5. When not in use store the equipment in an indoor dry location that is locked up or out of children's reach.
6. Use only the manufacturer's recommended replacement parts and accessories.
7. Inspect and maintain the tool regularly, especially before/after use. Have the tool repaired only by our authorized service center.
8. Keep handles dry, clean and free from oil and grease. Keep all cooling air inlets clear of debris.
9. Always keep the tool in good working condition. Poor maintenance can result in inferior performance and shorten the life of the tool.

## SAVE THESE INSTRUCTIONS.

**⚠ WARNING:** DO NOT let comfort or familiarity with product (gained from repeated use) replace strict adherence to safety rules for the subject product. MISUSE or failure to follow the safety rules stated in this instruction manual may cause serious personal injury.

**⚠ WARNING:** Use of this product can create dust containing chemicals which may cause respiratory or other illnesses. Some examples of these chemicals are compounds found in pesticides, insecticides, fertilizers and herbicides. Your risk from these exposures varies, depending on how often you do this type of work. To reduce your exposure to these chemicals: work in a well ventilated area, and work with approved safety equipment, such as those dust masks that are specially designed to filter out microscopic particles.

## Symbols

The followings show the symbols used for tool.

V	volts
— — —	direct current
n <sub>0</sub>	no load speed
.../min r/min	revolutions or reciprocation per minute

## Important safety instructions for battery cartridge

1. Before using battery cartridge, read all instructions and cautionary markings on (1) battery charger, (2) battery, and (3) product using battery.
2. Do not disassemble or tamper the battery cartridge. It may result in a fire, excessive heat, or explosion.
3. If operating time has become excessively shorter, stop operating immediately. It may result in a risk of overheating, possible burns and even an explosion.
4. If electrolyte gets into your eyes, rinse them out with clear water and seek medical attention right away. It may result in loss of your eyesight.
5. Do not short the battery cartridge:
  - (1) Do not touch the terminals with any conductive material.
  - (2) Avoid storing battery cartridge in a container with other metal objects such as nails, coins, etc.
  - (3) Do not expose battery cartridge to water or rain.

A battery short can cause a large current flow, overheating, possible burns and even a breakdown.
6. Do not store and use the tool and battery cartridge in locations where the temperature may reach or exceed 50 °C (122 °F).
7. Do not incinerate the battery cartridge even if it is severely damaged or is completely worn out. The battery cartridge can explode in a fire.
8. Do not nail, cut, crush, throw, drop the battery cartridge, or hit against a hard object to the battery cartridge. Such conduct may result in a fire, excessive heat, or explosion.
9. Do not use a damaged battery.
10. The contained lithium-ion batteries are subject to the Dangerous Goods Legislation requirements. For commercial transports e.g. by third parties, forwarding agents, special requirement on packaging and labeling must be observed. For preparation of the item being shipped, consulting an expert for hazardous material is required. Please also observe possibly more detailed national regulations.

Tape or mask off open contacts and pack up the battery in such a manner that it cannot move around in the packaging.

11. **When disposing the battery cartridge, remove it from the tool and dispose of it in a safe place. Follow your local regulations relating to disposal of battery.**
12. **Use the batteries only with the products specified by Makita.** Installing the batteries to non-compliant products may result in a fire, excessive heat, explosion, or leak of electrolyte.
13. **If the tool is not used for a long period of time, the battery must be removed from the tool.**
14. **During and after use, the battery cartridge may take on heat which can cause burns or low temperature burns. Pay attention to the handling of hot battery cartridges.**
15. **Do not touch the terminal of the tool immediately after use as it may get hot enough to cause burns.**
16. **Do not allow chips, dust, or soil stuck into the terminals, holes, and grooves of the battery cartridge.** It may result in poor performance or breakdown of the tool or battery cartridge.
17. **Unless the tool supports the use near high-voltage electrical power lines, do not use the battery cartridge near high-voltage electrical power lines.** It may result in a malfunction or breakdown of the tool or battery cartridge.
18. **Keep the battery away from children.**

## **SAVE THESE INSTRUCTIONS.**

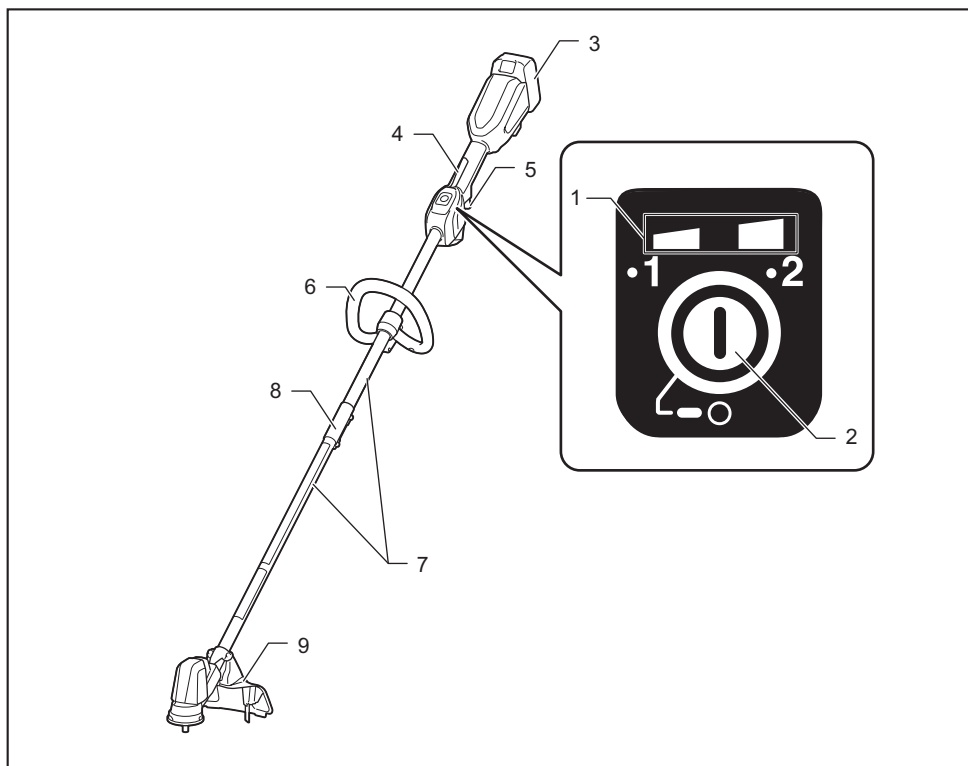
**⚠CAUTION:** Only use genuine Makita batteries.

Use of non-genuine Makita batteries, or batteries that have been altered, may result in the battery bursting causing fires, personal injury and damage. It will also void the Makita warranty for the Makita tool and charger.

## **Tips for maintaining maximum battery life**

1. **Charge the battery cartridge before completely discharged. Always stop tool operation and charge the battery cartridge when you notice less tool power.**
2. **Never recharge a fully charged battery cartridge. Overcharging shortens the battery service life.**
3. **Charge the battery cartridge with room temperature at 10 °C - 40 °C (50 °F - 104 °F). Let a hot battery cartridge cool down before charging it.**
4. **When not using the battery cartridge, remove it from the tool or the charger.**
5. **Charge the battery cartridge if you do not use it for a long period (more than six months).**

# PARTS DESCRIPTION



1	Indicator lamps	2	Main power button	3	Battery cartridge	4	Lock-off lever
5	Switch trigger	6	Handle	7	Pipes	8	Joint
9	Protector	-	-	-	-	-	-

\* All the components listed in the table are to be assembled as shown in the figure above.

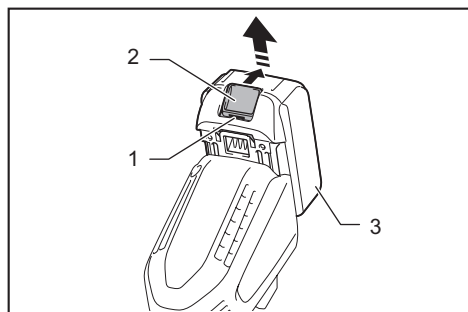
# FUNCTIONAL DESCRIPTION

**⚠ WARNING:** Always be sure that the tool is switched off and the battery cartridge is removed before adjusting or checking function on the tool. Failure to switch off and remove the battery cartridge may result in serious personal injury from accidental start-up.

## Installing or removing battery cartridge

**⚠ CAUTION:** Always switch off the tool before installing or removing of the battery cartridge.

**⚠ CAUTION:** Hold the tool and the battery cartridge firmly when installing or removing battery cartridge. Failure to hold the tool and the battery cartridge firmly may cause them to slip off your hands and result in damage to the tool and battery cartridge and a personal injury.



► 1. Red indicator 2. Button 3. Battery cartridge

To remove the battery cartridge, slide it from the tool while sliding the button on the front of the cartridge.

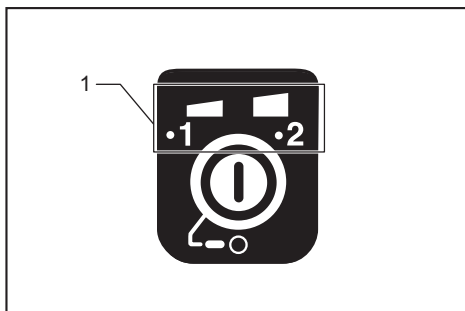
To install the battery cartridge, align the tongue on the battery cartridge with the groove in the housing and slip it into place. Insert it all the way until it locks in place with a little click. If you can see the red indicator on the upper side of the button, it is not locked completely.

**⚠ CAUTION:** Always install the battery cartridge fully until the red indicator cannot be seen. If not, it may accidentally fall out of the tool, causing injury to you or someone around you.





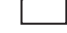




**⚠ CAUTION:** Do not install the battery cartridge forcibly. If the cartridge does not slide in easily, it is not being inserted correctly.

## Tool / battery protection system

The tool is equipped with a tool/battery protection system. This system automatically cuts off power to the motor to extend tool and battery life. The tool will automatically stop during operation and the indicator lamps light up if the tool is placed under one of the following conditions:



► 1. Indicator lamps

Color	Indicator lamps			Protection status
	 Lighted	 Off	 Blinking	
Green	 .1	 .2		Overload
Red	 .1	 .2		Overheat
Red	 .1	 .2		Over-discharge

## Overload protection

If the tool gets into one of the following situation, the tool automatically stops and the indicator lamp starts blinking in green:

- The tool or battery is overloaded by entangled weeds or other debris.
- The cutting tool is locked.
- The main power button is turned on while the switch trigger is being pulled.

In this situation, release the switch trigger and remove entangled weeds or debris if necessary. After that, pull the switch trigger again to resume.

**⚠ CAUTION:** If you need to remove the entangled weeds on the tool or release the locked cutting tool, be sure to turn the tool off before you start.



## Overheat protection for tool or battery

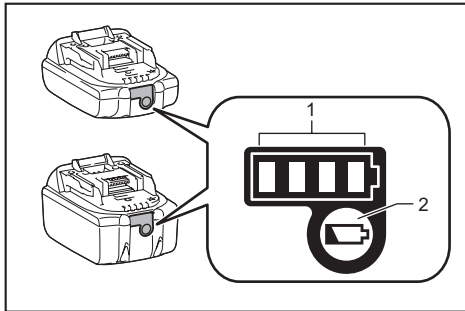
When the tool or battery cartridge is overheated, the tool stops automatically and the indicator lamp lights up in red. Let the tool and/or battery cool down before turning the tool on again.

## Overdischarge protection

When the battery capacity becomes low, the tool stops automatically. The indicator lamp starts blinking in red. If the tool does not operate even when the switches are operated, remove the battery cartridge from the tool and charge it.

## Indicating the remaining battery capacity

Only for battery cartridges with the indicator



► 1. Indicator lamps 2. Check button

Press the check button on the battery cartridge to indicate the remaining battery capacity. The indicator lamps light up for a few seconds.

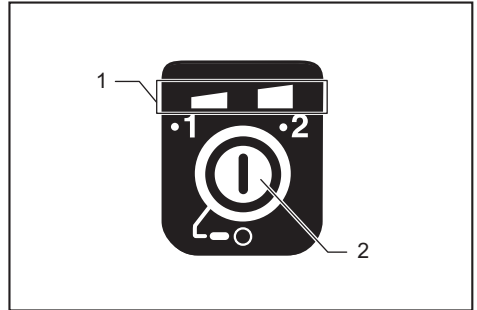
Indicator lamps			Remaining capacity
Lighted	Off	Blinking	
■	□	▧	75% to 100%
■ ■ ■ ■			
■ ■ ■ □			
■ ■ □ □			50% to 75%
■ □ □ □			25% to 50%
■ □ □ □			0% to 25%
▧ □ □ □			Charge the battery.
■ ■ □ □			The battery may have malfunctioned.
□ □ ■ ■			

**NOTE:** Depending on the conditions of use and the ambient temperature, the indication may differ slightly from the actual capacity.

**NOTE:** The first (far left) indicator lamp will blink when the battery protection system works.

## Main power switch

Tap the main power button to turn on the tool. To turn off the tool, press and hold the main power button until the indicator lamps go off.



► 1. Indicator lamps 2. Main power button

**NOTE:** The tool will automatically turned off if it is left without any operations for a certain period of time.

## Switch action

**⚠ WARNING:** For your safety, this tool is equipped with lock-off lever which prevents the tool from unintended starting. **NEVER** use the tool if it runs when you simply pull the switch trigger without pressing the lock-off lever. Return the tool to our authorized service center for proper repairs **BEFORE** further usage.

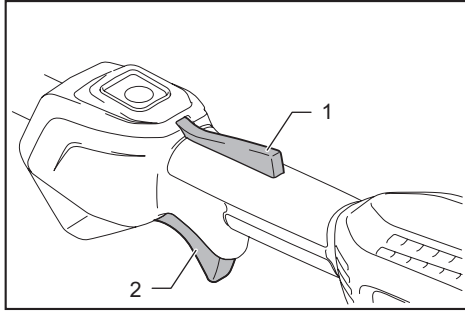
**⚠ WARNING:** **NEVER** tape down or defeat purpose and function of lock-off lever.

**⚠ CAUTION:** Before installing the battery cartridge into the tool, always check to see that the switch trigger actuates properly and returns to the "OFF" position when released. Operating a tool with a switch that does not actuate properly can lead to loss of control and serious personal injury.

**⚠ CAUTION:** Never put your finger on the main power button and switch trigger when carrying the tool. The tool may start unintentionally and cause injury.

**NOTICE:** Do not pull the switch trigger hard without pressing the lock-off lever. This can cause switch breakage.

To prevent the switch trigger from being accidentally pulled, a lock-off lever is provided. To start the tool, depress the lock-off lever and pull the switch trigger. The tool speed increases by increasing pressure on the switch trigger. Release the switch trigger to stop.

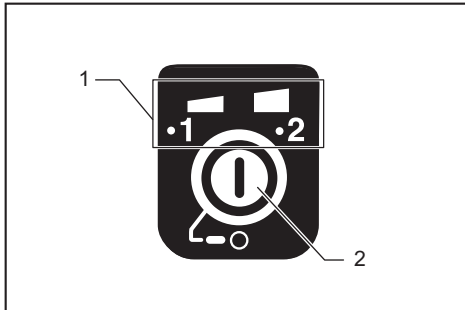


► 1. Lock-off lever 2. Switch trigger


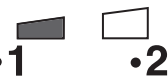
**NOTE:** The tool is automatically turned off after the tool is left for a certain period without any operations.

## Speed adjusting

You can select the tool speed by tapping the main power button. Each time you tap the main power button, the level of speed will change.



► 1. Indicator lamps 2. Main power button

Indicator lamps	Mode	Rotation speed
 •1 •2	High	0 - 6,000/min
 •1 •2	Low	0 - 4,500/min

## Electric brake

This tool is equipped with an electric brake. If the tool consistently fails to quickly stop after the switch trigger is released, have the tool serviced at our service center.

**CAUTION:** This brake system is not a substitute for the protector. Never use the tool without the protector. An unguarded cutting tool may result in serious personal injury.

## Electronic function

### Constant speed control

The speed control function provides the constant rotation speed regardless of load conditions.

### Soft start feature

Soft start because of suppressed starting shock.

## ASSEMBLY

**WARNING:** Always be sure that the tool is switched off and battery cartridge is removed before carrying out any work on the tool. Failure to switch off and remove the battery cartridge may result in serious personal injury from accidental start-up.

**WARNING:** Never start the tool unless it is completely assembled. Operation of the tool in a partially assembled state may result in serious personal injury from accidental start-up.

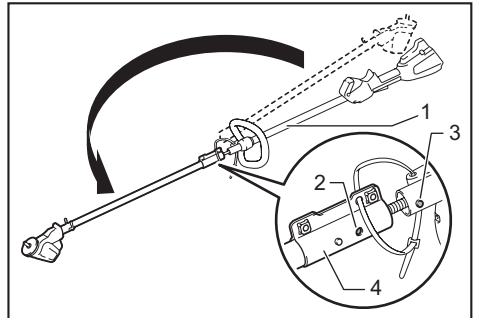
**CAUTION:** Do not disassemble the tool once you have installed all the main components.

## Installing main components

### Pipe assembly

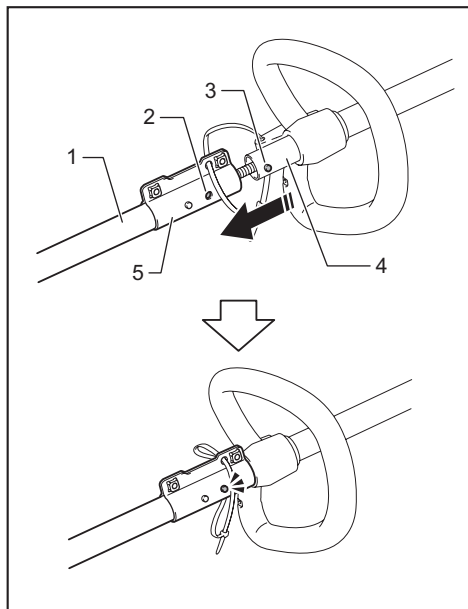
**CAUTION:** Avoid cutting the cable tie (nylon fastener) away until the folded pipes have been securely assembled.

1. Straighten the two-folded pipes, and then align the stopper pin on the upper pipe with the stopper hole in the joint.



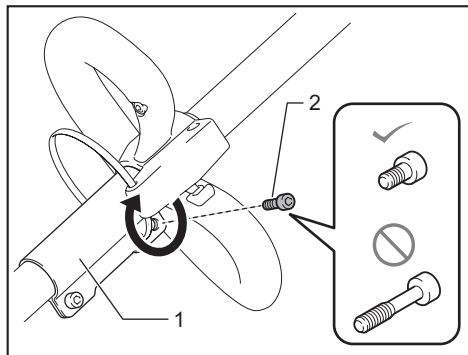
► 1. Upper pipe 2. Stopper hole 3. Stopper pin 4. Joint

2. Insert the upper pipe into the joint while holding down the stopper pin. Make sure that the pin pops up through the stopper hole and securely locks the lower pipe.



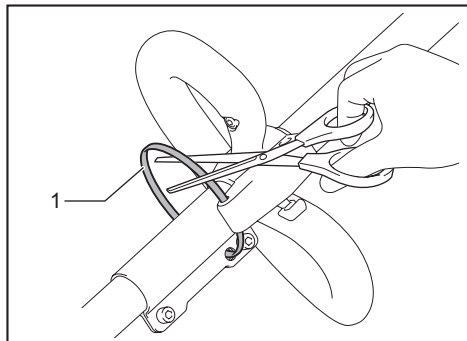
► 1. Lower pipe 2. Stopper hole 3. Stopper pin  
4. Upper pipe 5. Joint

3. Securely tighten the hex socket head bolt to fix the joint.



► 1. Joint 2. Hex socket head bolt

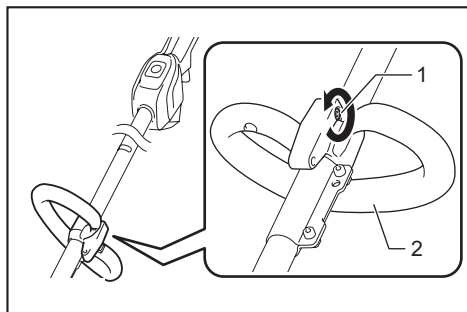
4. Cut the cable tie (nylon fastener), and remove it from the tool.



► 1. Cable tie

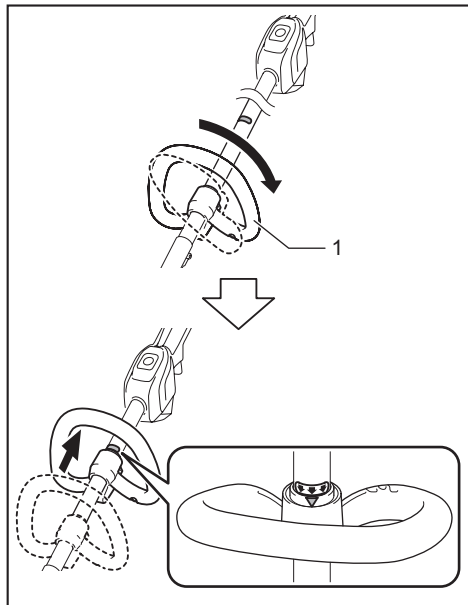
## Handle

1. Loosen the hex socket head bolt on the handle.



► 1. Hex socket head bolt 2. Handle

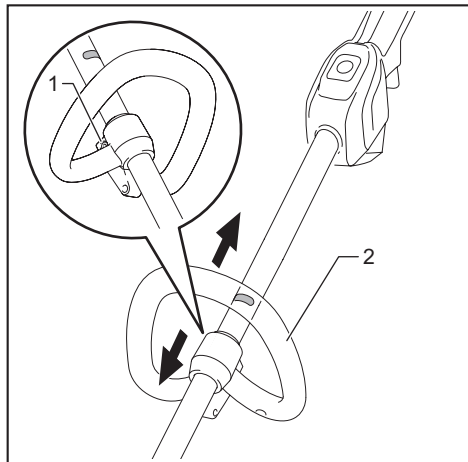
- Set the angle and position of the handle as shown in the figure, and then tighten the bolt.



- 1. Handle

## Adjusting handle position

Loosen the hex socket head bolt on the handle. Move the handle to a comfortable working position, and then tighten the bolt.



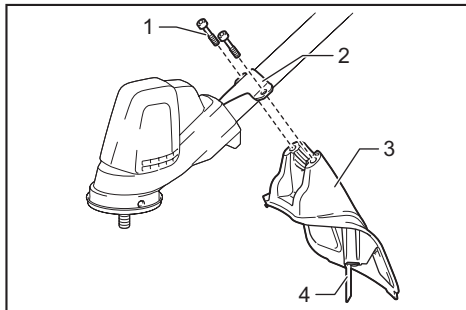
- 1. Hex socket head bolt 2. Handle

## Installing the protector

**⚠WARNING:** Never use the tool without the guard illustrated in place. Failure to do so can cause serious personal injury.

**⚠CAUTION:** Take care not to injure yourself on the cutter for cutting the nylon cord.

Attach the protector to the clamp using bolts.



- 1. Hex socket head bolt 2. Clamp 3. Protector  
4. Cutter

## Installing the cutting tool

**⚠CAUTION:** Always use the supplied wrenches to remove or to install the cutting tool.

**⚠CAUTION:** Be sure to remove the hex wrench inserted into the tool head after installing the cutting tool.

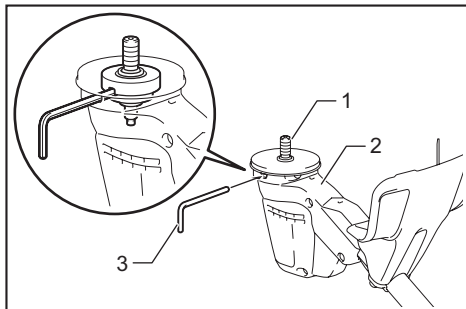
**NOTE:** The type of the cutting tool(s) supplied as the standard accessory varies depending on the countries. The cutting tool is not included in some countries.

**NOTE:** Turn the tool upside down so that you can replace the cutting tool easily.

## Nylon cutting head

**NOTICE:** Be sure to use genuine Makita nylon cutting head.

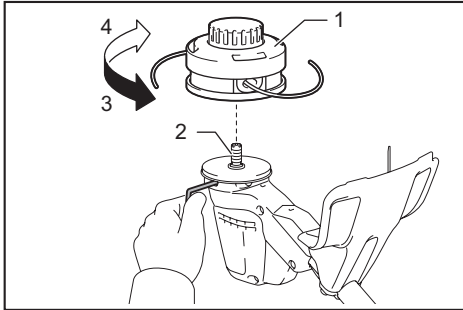
- Insert the hex wrench through the hole in the motor housing to lock the spindle. Rotate the spindle until the hex wrench is fully inserted.



- 1. Spindle 2. Motor housing 3. Hex wrench

**NOTE:** The holes in the motor housing are on the left side and right side.

2. Place the nylon cutting head onto the spindle and tighten it securely by hand.



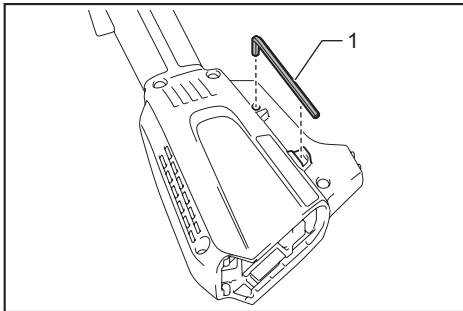
1. Nylon cutting head 2. Spindle 3. Tighten 4. Loosen

3. Remove the hex wrench from the motor housing. To remove the nylon cutting head, follow the installation procedures in reverse.

### Hex wrench storage

**CAUTION:** Be careful not to leave the hex wrench inserted in the tool head. It may cause injury and/or damage to the tool.

When not in use, store the hex wrench as shown in the figure to keep it from being lost.



1. Hex wrench

## OPERATION

### Correct handling of the tool

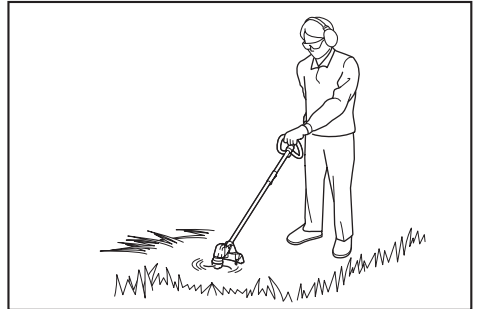
**WARNING:** Always position the tool on your right-hand side. Correct positioning of the tool allows for maximum control and will reduce the risk of serious personal injury.

**WARNING:** Be extremely careful to maintain control of the tool at all times. Do not allow the tool to be deflected toward you or anyone in the work vicinity. Failure to keep control of the tool could result in serious injury to the bystander and the operator.

**WARNING:** To avoid accident, leave more than 15m (50 ft) distance between operators when two or more operators work in one area. Also, arrange a person to observe the distance between operators. If someone or an animal enters the working area, immediately stop the operation.

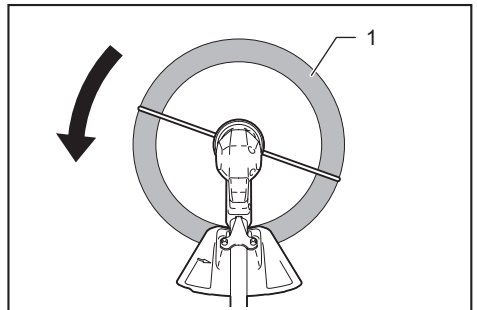
**CAUTION:** If the cutting tool accidentally impacts a rock or hard object during operation, stop the tool and inspect for any damage. If the cutting tool is damaged, replace it immediately. Use of a damaged cutting tool may result in serious personal injury.

Correct positioning and handling allow optimum control and reduce the risk of injury.



### When using a nylon cutting head (bump & feed type)

The nylon cutting head is a dual string trimmer head provided with a bump & feed mechanism. To feed out the nylon cord, tap the cutting head against the ground while rotating.



1. Most effective cutting area

**NOTICE:** The bump feed will not operate properly if the nylon cutting head is not rotating.

**NOTE:** If the nylon cord does not feed out while tapping the head, rewind/replace the nylon cord by following the procedures in the section for the maintenance.

## MAINTENANCE

**⚠WARNING:** Always be sure that the tool is switched off and battery cartridge is removed before attempting to perform inspection or maintenance on the tool. Failure to switch off and remove the battery cartridge may result in serious personal injury from accidental start-up.

**NOTICE:** Never use gasoline, benzine, thinner, alcohol or the like. Discoloration, deformation or cracks may result.

To maintain product SAFETY and RELIABILITY, repairs, any other maintenance or adjustment should be performed by Makita Authorized or Factory Service Centers, always using Makita replacement parts.

### Cleaning the tool

Clean the tool by wiping off dust, dirt, or cut off grass with a dry cloth or one dipped in soapy water and wrung out. To avoid overheating of the tool, be sure to remove the cut off grass or debris adhered to the vent of the tool.

### Replacing the nylon cord

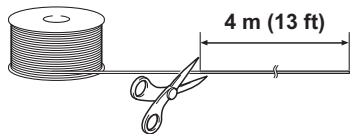
**⚠WARNING:** Use only the nylon cord with diameter specified in this instruction manual. Never use heavier line, metal wire, rope or the like. Failure to do so may cause damage to the tool and result in serious personal injury.

**⚠WARNING:** Always remove the nylon cutting head from the tool when replacing the nylon cord.

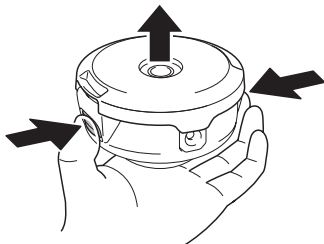
**⚠WARNING:** Make sure that the cover of the nylon cutting head is secured to the housing properly as described in this instruction manual. Failure to properly secure the cover may cause the nylon cutting head to fly apart resulting in serious personal injury.

Replace the nylon cord if it is not fed any more. The method of replacing the nylon cord varies depending on the type of the nylon cutting head.

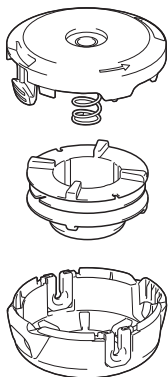
1



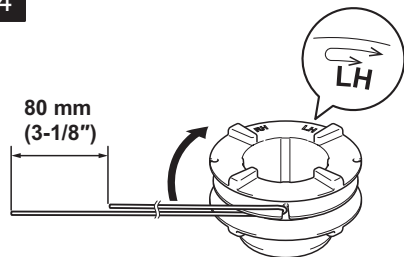
2



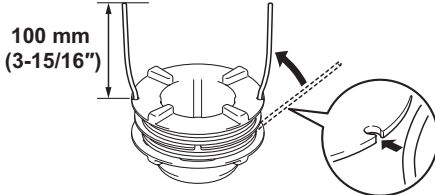
3



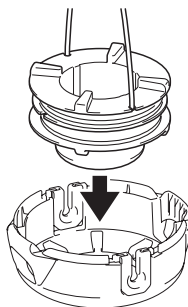
4



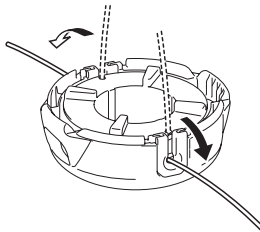
5



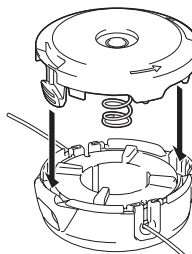
6



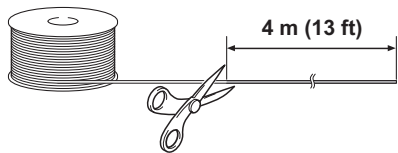
7



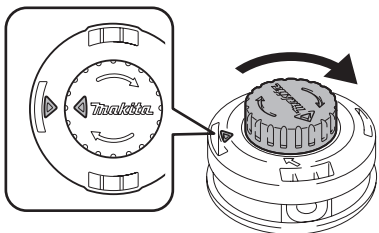
8



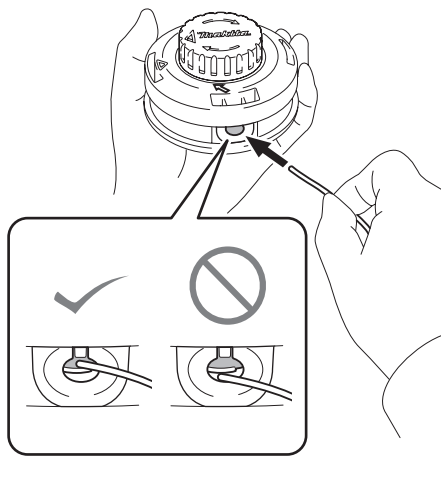
1



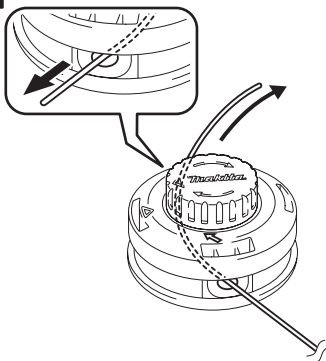
2



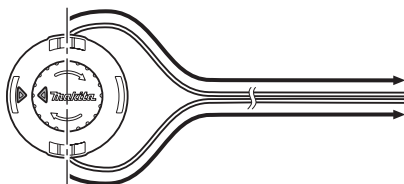
3



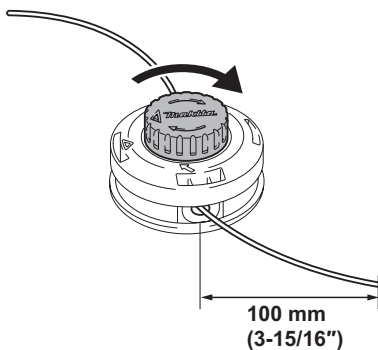
4



5



6





# TROUBLESHOOTING

Before asking for repairs, conduct your own inspection first. If you find a problem that is not explained in the manual, do not attempt to dismantle the tool. Instead, ask Makita Authorized Service Centers, always using Makita replacement parts for repairs.

State of abnormality	Probable cause (malfunction)	Remedy
Motor does not run.	Battery cartridge is not installed.	Install the battery cartridge.
	Battery problem (under voltage)	Recharge the battery. If recharging is not effective, replace battery.
	The drive system does not work correctly.	Ask your local authorized service center for repair.
Motor stops running after a little use.	Battery's charge level is low.	Recharge the battery. If recharging is not effective, replace battery.
	Overheating.	Stop using of tool to allow it to cool down.
It does not reach maximum RPM.	Battery is installed improperly.	Install the battery cartridge as described in this manual.
	Battery power is dropping.	Recharge the battery. If recharging is not effective, replace battery.
	The drive system does not work correctly.	Ask your local authorized service center for repair.
Cutting tool does not rotate: ⇒ stop the machine immediately!	Foreign object such as a branch is jammed between the guard and the cutting tool.	Remove the foreign object.
	Cutting tool is loosely attached.	Tighten the cutting tool securely.
	The drive system does not work correctly.	Ask your local authorized service center for repair.
Abnormal vibration: ⇒ stop the machine immediately!	One end of the nylon cord has been broken.	Tap the nylon cutting head against the ground while it is rotating to cause the cord to feed.
	Broken, bent or worn cutting tool	Replace the cutting tool.
	Cutting tool is loosely attached.	Tighten the cutting tool securely.
	The drive system does not work correctly.	Ask your local authorized service center for repair.
Cutting tool and motor cannot stop: ⇒ Remove the battery immediately!	Electric or electronic malfunction.	Remove the battery and ask your local authorized service center for repair.

## OPTIONAL ACCESSORIES

**⚠WARNING:** Only use the recommended accessories or attachments indicated in this manual. The use of any other accessory or attachment may result in serious personal injury.

**⚠CAUTION:** These accessories or attachments are recommended for use with your Makita tool specified in this manual. The use of any other accessories or attachments might present a risk of injury to persons. Only use accessory or attachment for its stated purpose.

If you need any assistance for more details regarding these accessories, ask your local Makita Service Center.

- Nylon cutting head
- Nylon cord (cutting line)
- Makita genuine battery and charger

**NOTE:** Some items in the list may be included in the tool package as standard accessories. They may differ from country to country.

## MAKITA LIMITED WARRANTY

Please refer to the annexed warranty sheet for the most current warranty terms applicable to this product. If annexed warranty sheet is not available, refer to the warranty details set forth at below website for your respective country.

United States of America: [www.makitatools.com](http://www.makitatools.com)

Canada: [www.makita.ca](http://www.makita.ca)

Other countries: [www.makita.com](http://www.makita.com)

## ESPECIFICACIONES

<b>Modelo:</b>		<b>XRU23</b>
Tipo de mango		Mango redondo
Velocidad sin carga		2: 0 - 6 000 r/min 1: 0 - 4 500 r/min
Longitud total (sin la herramienta de corte)		1 670 mm (65-3/4")
Diámetro del cordón de nailon		2,0 mm (0,08")
Herramienta de corte aplicable y diámetro de corte	Cabezal de corte de nailon (n.º de pieza: 191D89-4)	330 mm (13")
Tensión nominal		18 V c.c.
Peso neto		2,6 - 2,9 kg (5,7 - 6,4 lbs)

- Debido a nuestro continuo programa de investigación y desarrollo, las especificaciones aquí incluidas están sujetas a cambio sin previo aviso.
- Las especificaciones pueden variar de país a país.
- El peso puede variar en función de los accesorios, incluido el cartucho de batería. En la tabla se muestra la combinación de peso más ligero y más pesado conforme al procedimiento 01/2014 de EPTA.

### Cartucho de batería y cargador aplicables

Cartucho de batería	BL1815N / BL1820B / BL1830 / BL1830B / BL1840B / BL1850B / BL1860B
Cargador	DC18RC / DC18RD / DC18RE / DC18SD / DC18SE / DC18SF / DC18SH

- Algunos de los cartuchos de batería y cargadores enumerados arriba podrían no estar disponibles dependiendo de su área de residencia.

**⚠ ADVERTENCIA:** Use únicamente los cartuchos de batería y los cargadores indicados arriba. El uso de cualquier otro cartucho de batería y cargador podría ocasionar una lesión y/o un incendio.

### Adaptador para batería recomendado

Adaptador para batería	PDC01
------------------------	-------

- El o los adaptadores para batería enumerados arriba podrían no estar disponibles dependiendo de su área de residencia.
- Antes de utilizar el adaptador para batería, lea las instrucciones e indicaciones de precaución sobre el adaptador para batería.

## ADVERTENCIAS DE SEGURIDAD

### Instrucciones importantes de seguridad

**⚠ ADVERTENCIA:** Al utilizar aparatos eléctricos de jardinería, siempre deben tomarse en cuenta las precauciones básicas de seguridad a fin de reducir el riesgo de incendio, descarga eléctrica y lesiones personales, incluyendo lo siguiente.

### Lea todas las instrucciones

El no seguir las advertencias e instrucciones podrá ocasionar descargas eléctricas, incendios y/o lesiones graves.

## GUARDE ESTAS INSTRUCCIONES.

### Instrucciones generales

1. **Nunca permita que los niños o gente que no esté familiarizada con estas instrucciones utilice la máquina. Las regulaciones locales pueden restringir la edad del operador.** Es peligroso en manos de usuarios no entrenados o de niños.
2. **Asegúrese de que cualquier persona que vaya a utilizar la desbrozadora haya leído primero el manual de instrucciones.**
3. Use la desbrozadora con extremo cuidado y atención.
4. **Opere la desbrozadora sólo si se encuentra en buena condición física. Realice todo el trabajo tranquila y cuidadosamente. Use el sentido común y tenga en cuenta que el operador o usuario es responsable de los accidentes o peligros que le ocurran a otras personas o a su propiedad.**
5. **Nunca opere la desbrozadora si está cansado, se siente enfermo o está bajo la influencia de alcohol o drogas.**

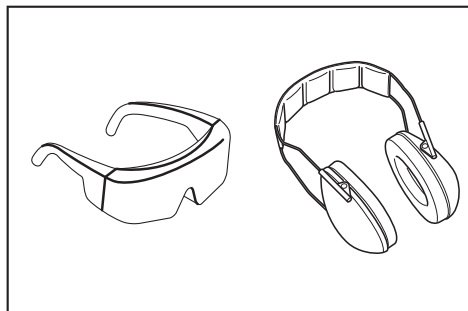
6. **Evite la puesta en marcha accidental:**
  - **Asegúrese de que el interruptor se encuentre en la posición de apagado antes de instalar el paquete de batería.** Insertar el paquete de batería en la desbrozadora con el interruptor encendido puede provocar accidentes.
  - **Cargar la desbrozadora con su dedo en el interruptor puede provocar accidentes.**
7. **La desbrozadora deberá apagarse inmediatamente si muestra alguna señal de operación anormal.**
8. **No fuerce la herramienta.** Esto permitirá hacer mejor el trabajo con un menor riesgo de lesiones a la velocidad para la que fue diseñada.
9. **No utilice la herramienta donde no alcance. Mantenga los pies sobre suelo firme y el equilibrio en todo momento.**
10. **Manténgase alerta - Preste atención a lo que está haciendo. Utilice el sentido común. No utilice el aparato cuando esté cansado.**
11. **Almacene los aparatos que no use en interiores.**
12. **Mantenga los dedos alejados del gatillo interruptor cuando no opere la herramienta y cuando pase de una posición de operación a otra.**

#### Uso previsto de la herramienta

1. **Utilice la herramienta adecuada.** La desbrozadora inalámbrica está diseñada sólo para cortar césped y maleza ligera. No debe utilizarse para ningún otro propósito tal como la poda de bordes o cercos de setos, ya que esto podría causar lesiones.
2. **Use sólo los accesorios y aditamentos recomendados por el fabricante.** El uso de cualquier otro accesorio y aditamento puede incrementar el riesgo de lesiones.

#### Equipo de protección personal

1. **Use una vestimenta adecuada.** La vestimenta que lleve deberá ser funcional y adecuada, es decir, deberá quedar ajustada pero sin que estorbe. No use ropa floja ni alhajas. Éstas podrían engancharse en las piezas móviles. Lleve protección en el cabello para cubrirlo en caso de tenerlo largo.
2. **Para evitar lesiones ya sea en la cabeza, ojos, manos o pies, así como para proteger su audición, se requiere el uso del siguiente equipo de protección y prendas protectoras durante la operación del equipo.**



3. **Use gafas de seguridad.** Las gafas protectoras protegen sus ojos de los residuos y piedras que salgan proyectados. Use siempre gafas protectoras para evitar lesiones en los ojos durante la operación de la herramienta.
4. **Use un equipo adecuado de protección contra ruido para evitar el daño auditivo (orejeras, tapones para los oídos, etc.).**



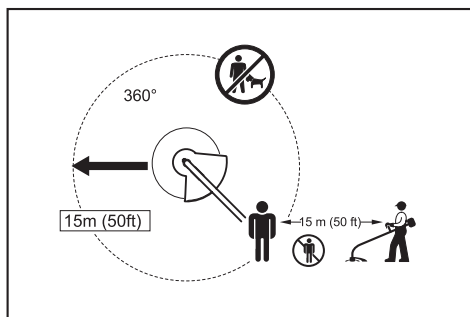
5. **Los overoles de trabajo protegen contra lesiones a causa de residuos y piedras que salgan proyectados. Es altamente recomendable que el usuario use un overol de trabajo.**
6. **Utilice una máscara contra polvo si la operación es polvorienta.**

#### Seguridad eléctrica y de la batería

1. **Evite los entornos peligrosos.** No utilice la herramienta en lugares húmedos o mojados ni la exponga a la lluvia. El agua que ingrese a la herramienta incrementará el riesgo de descarga eléctrica.
2. **Evite una puesta en marcha accidental. Asegúrese de que el interruptor esté en la posición apagada antes de conectar el paquete de baterías, levantar la herramienta o cargarla.** Cargar la herramienta con su dedo en el interruptor o pasar energía a la herramienta con el interruptor encendido puede propiciar accidentes.
3. **Desconecte el paquete de baterías de la herramienta antes de hacer cualquier ajuste, cambiar accesorios o almacenar la herramienta.** Estas medidas de seguridad preventivas reducen el riesgo de poner en marcha la herramienta accidentalmente.
4. **Recargue sólo con el cargador especificado por el fabricante.** Un cargador que sea adecuado para un tipo específico de paquete de batería puede generar un riesgo de incendio al usarse con un paquete de batería distinto.
5. **Use las herramientas únicamente con los paquetes de baterías designados específicamente para ellas.** El uso de otros paquetes de baterías puede generar riesgo de lesiones e incendio.
6. **Cuando no se esté usando el paquete de batería, manténgalo alejado de otros objetos metálicos, como sujetapapeles (clips), monedas, llaves, clavos, tornillos u otros objetos pequeños de metal que puedan crear una conexión entre una terminal y otra.** Causar un cortocircuito en las terminales de la batería puede provocar quemaduras o incendio.

7. En condiciones de mal uso, podría escapar líquido de la batería; evite el contacto. Si toca el líquido accidentalmente, enjuague con agua. Si hay contacto del líquido con los ojos, solicite atención médica. El líquido expulsado de la batería puede causar irritación o quemaduras.
8. No utilice un paquete de baterías o una herramienta que esté dañado/dañada o haya sido modificado/modificada. Las baterías dañadas o modificadas podrían comportarse de manera impredecible causando un incendio, explosión o riesgo de lesión.
9. No exponga un paquete de baterías o una herramienta al fuego o a una temperatura excesiva. La exposición al fuego a una temperatura superior a 130 °C (265 °F) podría causar una explosión.
10. Siga todas las instrucciones relativas a la carga y no cargue el paquete de baterías o la herramienta fuera del rango de temperatura especificado en las instrucciones. Cargar de manera inapropiada o a temperaturas fuera del rango especificado podría dañar la batería e incrementar el riesgo de incendio.
11. Pida que el servicio lo realice un técnico en reparaciones calificado y que utilice únicamente piezas de repuesto idénticas a las originales. Esto garantizará que se mantenga la seguridad del producto.
12. No modifique ni intente reparar la herramienta ni el paquete de baterías salvo como se indique en las instrucciones para el uso y cuidado.
13. No deseché la(s) batería(s) donde haya fuego. La celda podría explotar. Consulte los códigos locales para ver si hay instrucciones especiales relativas al desecho.
14. No abra ni dañe la(s) batería(s). Los electrolitos liberados son corrosivos y pueden ocasionar daños en los ojos o la piel. Estos pueden ser tóxicos si se llegan a tragar.
15. No cargue la batería bajo la lluvia ni en lugares mojados.

#### Puesta en marcha de la herramienta



1. Asegúrese de que no haya niños ni otras personas en un rango de 15 metros (50 pies), y cuide también que no haya animales alrededor del área de trabajo. En caso contrario, interrumpa la operación de la herramienta.
2. Antes de usar la herramienta, revisela siempre para una operación segura. Compruebe la seguridad del cabezal de corte de nailon y el protector, así como el gatillo interruptor/palanca para un accionamiento fácil y correcto. Revise que los mangos estén limpios y secos, y compruebe el funcionamiento del interruptor de encendido/apagado.

3. Inspeccione las piezas dañadas antes de continuar usando la herramienta. Si un protector u otra pieza están dañados, deberá revisarlos cuidadosamente para cerciorarse de que van a funcionar correctamente y realizar el trabajo para el que fueron diseñados. Verifique la alineación de las piezas móviles, la unión de las mismas, roturas de las piezas, la instalación y cualquier otra condición que pueda afectar su funcionamiento. Cualquier protector o pieza dañada deberá ser debidamente reparada o reemplazada por un centro de servicio autorizado, a menos que se indique de alguna otra forma en este manual.
4. Encienda el motor sólo cuando tenga las manos y pies alejados del cabezal de corte de nailon.
5. Antes de poner en marcha la herramienta, asegúrese de que el cabezal de corte de nailon no esté haciendo contacto con objetos duros tales como ramas, piedras, etc., ya que éste empezará a girar una vez que la ponga en marcha.
6. Retire cualquier llave de ajuste o llave de apriete antes de encender la herramienta eléctrica. Cualquier accesorio que se deje puesto en una pieza giratoria de la herramienta eléctrica puede provocar lesiones personales.
7. Asegúrese de que no haya cables eléctricos, tubos de agua, tubos de gas, etc. que pudieran representar un peligro en caso de ser dañados por el uso de la herramienta.
8. No utilice una herramienta de corte que no sea recomendada por Makita.
9. No utilice la herramienta cuando haya mal tiempo o si existe el riesgo de ser alcanzado por un rayo.

#### Método de operación

1. Use la herramienta sólo en condiciones de buena iluminación y visibilidad. Durante la época de invierno, tenga cuidado con las áreas resbalosas o mojadas, así como con el hielo y la nieve (riesgo de resbalones). Siempre asegúrese de pisar suelo firme.
2. Tenga cuidado con el cabezal de corte de nailon para evitar lesiones en pies y manos.
3. Nunca haga cortes por encima de la altura de su cintura.
4. Nunca se coloque sobre una escalera para poner en marcha la herramienta.
5. Nunca se suba a árboles para realizar una operación de corte con la herramienta.
6. Nunca trabaje sobre superficies inestables.
7. Retire la arena, piedras, clavos, etc. que encuentre en el área de trabajo. Las partículas extrañas podrían dañar el cabezal de corte de nailon.
8. Si el cabezal de corte de nailon llega a golpear piedras u otros objetos duros, apague inmediatamente el motor e inspeccione el cabezal de corte de nailon.
9. Antes de comenzar a cortar, el cabezal de corte de nailon deberá alcanzar su velocidad de trabajo completa.

10. Durante la operación, siempre sostenga la herramienta con ambas manos. Nunca sostenga la herramienta con una mano durante el uso. Siempre asegúrese de pisar suelo firme.
11. El cabezal de corte de nailon debe estar equipado con su protector. ¡Nunca ponga en marcha la herramienta con un protector dañado o que no esté colocado en su lugar!
12. Todo el equipo de protección deberá utilizarse durante la operación, tal como los protectores suministrados con la desbrozadora.
13. Salvo en caso de emergencia, nunca deje caer ni arroje la herramienta al suelo ya que podría dañarse severamente.
14. Nunca arrastre la herramienta por el suelo al moverla de un lugar a otro, ya que esto podría dañarla.
15. Siempre retire el cartucho de batería de la herramienta:
  - cada vez que la vaya a dejar desatendida;
  - antes de despejar una obstrucción;
  - antes de revisar, limpiar o trabajar en la herramienta;
  - cada vez que la herramienta comience a vibrar de manera anormal;
  - cada vez que vaya a transportar la herramienta.
16. Asegúrese siempre de que las aberturas de ventilación estén libres de residuos.
17. Los elementos de corte continúan girando una vez que el motor se haya apagado.
18. No utilice las herramientas eléctricas en atmósferas explosivas, tal como en la presencia de líquidos, gases o polvo inflamables. Las herramientas eléctricas crean chispas que pueden prender fuego al polvo o los humos.
19. Tome un descanso para evitar la pérdida de control a causa de la fatiga. Recomendamos tomar de 10 minutos a 20 minutos de descanso cada hora.
20. Sujete la herramienta eléctrica solamente por las superficies de aislamiento aisladas, ya que la herramienta de corte podría entrar en contacto con cableado oculto. La herramienta de corte que entre en contacto con un cable con corriente podrá transmitirla a las partes metálicas expuestas de la herramienta eléctrica y ocasionar una descarga eléctrica al operador.
21. No utilice la herramienta en pendientes inclinadas.
22. El arnés para hombro deberá ser usado durante la operación si es que éste es suministrado junto con la herramienta.
23. No arranque la herramienta cuando la herramienta de corte quede enredada con el césped cortado.
24. Antes de arrancar la herramienta, asegúrese de que la herramienta de corte no esté tocando el suelo, así como otros obstáculos como un árbol.
25. Mantenga siempre las manos, la cara y las prendas lejos de la herramienta de corte mientras la herramienta está girando. El no hacerlo podría ocasionar una lesión personal.
26. Utilice únicamente la herramienta de corte marcada con una velocidad igual o mayor a la velocidad marcada en la herramienta.

#### Instrucciones de mantenimiento

1. La condición del cabezal de corte de nailon, así como de los dispositivos de protección deberán ser revisados antes de iniciar la operación.
2. Apague el motor y quite el cartucho de batería antes de llevar a cabo operaciones de mantenimiento, reemplazo del cabezal de corte de nailon o del cordón de nailon y la limpieza de la herramienta.
3. Revise si hay sujetadores que estén sueltos o piezas dañadas, tal como grietas en el cabezal de corte de nailon.
4. Siga las instrucciones para la lubricación y el cambio de los accesorios si aplica para el caso.
5. Cuando no se utilice, almacene el equipo en un lugar seco en interiores que esté bajo llave o fuera del alcance de los niños.
6. Utilice solamente las piezas de repuesto y los accesorios recomendados por el fabricante.
7. Inspeccione y dé mantenimiento a la herramienta de manera regular, especialmente antes y después del uso. Lleve la herramienta a reparación sólo a nuestro centro de servicio autorizado.
8. Mantenga los mangos secos, limpios, y libres de aceite y grasa. Mantenga todas las entradas de aire despejadas de residuos.
9. Mantenga siempre la herramienta en buenas condiciones de trabajo. Un mantenimiento deficiente puede resultar en un desempeño inferior y la vida útil de la herramienta podría reducirse.

## GUARDE ESTAS INSTRUCCIONES.

**⚠ADVERTENCIA:** NO DEJE que la comodidad o familiaridad con el producto (a base de utilizarlo repetidamente) sustituya la estricta observancia de las normas de seguridad para dicho producto. El MAL USO o el no seguir las normas de seguridad establecidas en este manual de instrucciones puede ocasionar lesiones personales graves.

**⚠ADVERTENCIA:** El uso de este producto puede producir polvo que contenga sustancias químicas que podrían causar enfermedades respiratorias o de otro tipo. Algunos ejemplos de estas sustancias químicas son los compuestos encontrados en pesticidas, insecticidas, fertilizantes y herbicidas.

El riesgo al que se expone varía, dependiendo de la frecuencia con la que realice este tipo de trabajo. Para reducir la exposición a estas sustancias químicas: trabaje en un área bien ventilada y use un equipo de seguridad aprobado, tal como las máscaras contra polvo que están especialmente diseñadas para filtrar partículas microscópicas.

## Símbolos

A continuación se muestran los símbolos utilizados para la herramienta.

V	volts o voltios
— — —	corriente directa o continua
$n_0$	velocidad sin carga
... /min r /min	revoluciones o alternaciones por minuto, frecuencia de rotación

## Instrucciones importantes de seguridad para el cartucho de batería

1. **Antes de utilizar el cartucho de batería, lea todas las instrucciones e indicaciones de precaución en el (1) el cargador de batería, (2) la batería, y (3) el producto con el que se utiliza la batería.**
2. **No desarme ni modifique el cartucho de batería.** Podría ocurrir un incendio, calor excesivo o una explosión.
3. **Si el tiempo de operación se ha acortado en exceso, deje de operar de inmediato.** Podría correrse el riesgo de sobrecalentamiento, posibles quemaduras e incluso explosión.
4. **En caso de que ingresen electrolitos en sus ojos, enjuáguelos bien con agua limpia y consulte de inmediato a un médico.** Esto podría ocasionar pérdida de visión.
5. **Evite cortocircuitar el cartucho de batería:**
  - (1) **No toque las terminales con ningún material conductor.**
  - (2) **Evite guardar el cartucho de batería en un cajón junto con otros objetos metálicos, tales como clavos, monedas, etc.**
  - (3) **No exponga el cartucho de batería al agua o la lluvia.**

Un cortocircuito en la batería puede causar un flujo grande de corriente, sobrecalentamiento, posibles quemaduras e incluso una descompostura.
6. **No guarde ni utilice la herramienta y el cartucho de batería en lugares donde la temperatura pueda alcanzar o exceder los 50 °C (122 °F).**
7. **Nunca incinere el cartucho de batería incluso en el caso de que esté dañado seriamente o ya no sirva en absoluto. El cartucho de batería puede explotar si se tira al fuego.**
8. **No clave, corte, aplaste, lance o deje caer el cartucho de batería, ni golpee un objeto sólido contra el cartucho de batería.** Dicha acción podría resultar en un incendio, calor excesivo o en una explosión.
9. **No use una batería dañada.**

10. **Las baterías de ión de litio están sujetas a los requisitos reglamentarios en materia de bienes peligrosos.**

Para el transporte comercial, por ej., mediante terceros o agentes de transporte, se deben tomar en cuenta los requisitos especiales relativos al empaque y el etiquetado.

Para efectuar los preparativos del artículo que se va a enviar, se requiere consultar a un experto en materiales peligrosos. Si es posible, consulte además otras regulaciones nacionales más detalladas.

Pegue o cubra con cinta adhesiva los contactos abiertos y empaque la batería de manera que ésta no pueda moverse dentro del paquete.

11. **Para deshacerse del cartucho de batería, sáquelo de la herramienta y deséchelo en un lugar seguro. Siga las regulaciones locales relacionadas al desecho de las baterías.**
12. **Utilice las baterías únicamente con los productos especificados por Makita.** Instalar las baterías en productos que no cumplan con los requisitos podría ocasionar un incendio, un calentamiento excesivo, una explosión o una fuga de electrolito.
13. **Si no se utiliza la herramienta por un período largo, debe extraerse la batería de la herramienta.**
14. **El cartucho de batería podría absorber calor durante y después de su uso, lo que ocasionaría quemaduras o quemaduras a baja temperatura. Tenga cuidado con la manipulación de los cartuchos de batería que estén calientes.**
15. **No toque el terminal de la herramienta inmediatamente después de su uso, ya que el mismo podría estar lo suficientemente caliente como para provocarle quemaduras.**
16. **No permita que las rebabas, el polvo o la tierra queden atrapados en los terminales, orificios y ranuras del cartucho de batería.** Esto podría ocasionar un desempeño deficiente o descompostura de la herramienta o del cartucho de batería.
17. **No utilice el cartucho de batería cerca de cables eléctricos de alto voltaje, a menos que la herramienta sea compatible con el uso cercano a estos cables eléctricos de alto voltaje.** Esto podría ocasionar una avería o descompostura de la herramienta o del cartucho de batería.
18. **Mantenga la batería alejada de los niños.**

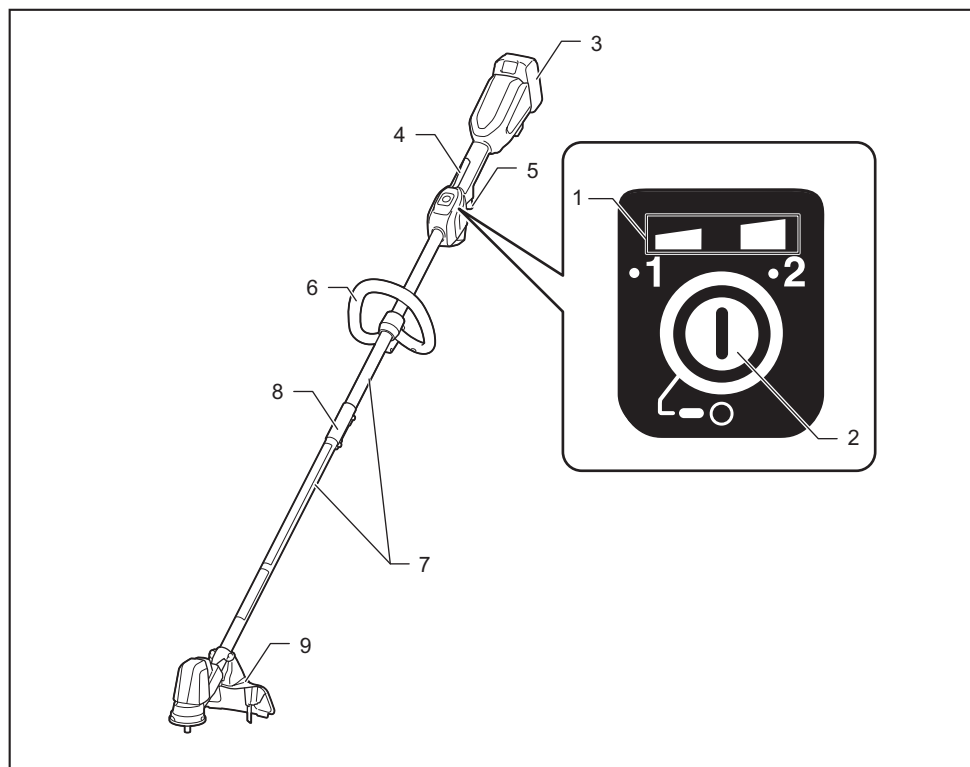
## GUARDE ESTAS INSTRUCCIONES.

**⚠PRECAUCIÓN:** Utilice únicamente baterías originales de Makita. El uso de baterías no originales de Makita, o de baterías alteradas, puede ocasionar que las baterías exploten causando un incendio, lesiones personales y daños. Asimismo, esto invalidará la garantía de Makita para la herramienta y el cargador Makita.

## Consejos para alargar al máximo la vida útil de la batería

1. Cargue el cartucho de batería antes de que se descargue completamente. Pare siempre la operación y cargue el cartucho de batería cuando note menos potencia en la herramienta.
2. No cargue nunca un cartucho de batería que esté completamente cargado. La sobrecarga acortará la vida de servicio de la batería.
3. Cargue el cartucho de batería a una temperatura ambiente de 10 °C - 40 °C (50 °F - 104 °F). Si un cartucho de batería está caliente, déjelo enfriar antes de cargarlo.
4. Cuando no utilice el cartucho de batería, sáquelo de la herramienta o del cargador.
5. Cargue el cartucho de batería si no va a utilizarlo durante un período prolongado (más de seis meses).

## DESCRIPCIÓN DE LAS PIEZAS



1	Luces indicadoras	2	Botón de encendido principal	3	Cartucho de batería	4	Palanca de desbloqueo
5	Gatillo interruptor	6	Mango	7	Tubos	8	Unión
9	Protector	-	-	-	-	-	-

\* Todos los componentes enumerados en la tabla deberán montarse como se muestra en la ilustración anterior.

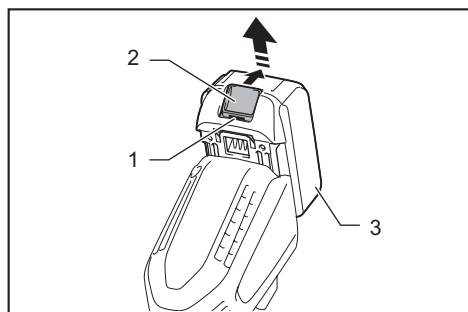
## DESCRIPCIÓN DEL FUNCIONAMIENTO

**⚠ADVERTENCIA:** Asegúrese siempre de que la herramienta esté apagada y que el cartucho de batería haya sido extraído antes de realizar cualquier ajuste o revisión del funcionamiento de la herramienta. El no seguir esta indicación de apagar y quitar el cartucho de batería puede ocasionar lesiones personales graves debido al encendido accidental.

## Instalación o extracción del cartucho de batería

**⚠PRECAUCIÓN:** Apague siempre la herramienta antes de colocar o quitar el cartucho de batería.

**⚠PRECAUCIÓN:** Sujete la herramienta y el cartucho de la batería con firmeza al colocar o quitar el cartucho de batería. Si no se sujeta con firmeza la herramienta y el cartucho de batería, puede ocasionar que se resbalen de sus manos causando daños a la herramienta y al cartucho de batería, así como lesiones a la persona.



► 1. Indicador rojo 2. Botón 3. Cartucho de batería

Para quitar el cartucho de batería, deslícelo de la herramienta mientras desliza el botón sobre la parte delantera del cartucho.

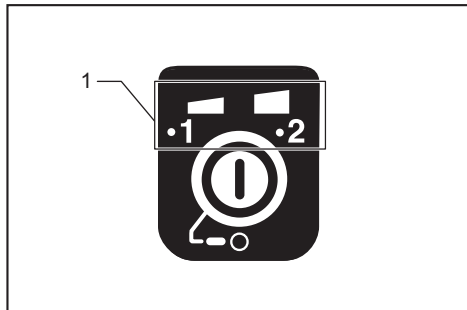
Para colocar el cartucho de batería, alinee la lengüeta sobre el cartucho de batería con la ranura en la carcasa y deslice en su lugar. Inserte por completo hasta que se fije en su lugar con un pequeño clic. Si puede ver el indicador rojo del lado superior del botón, esto indica que no ha quedado fijo por completo.

**⚠PRECAUCIÓN:** Introduzca siempre completamente el cartucho de batería hasta que el indicador rojo no pueda verse. Si no, podría accidentalmente salirse de la herramienta y caer al suelo causando una lesión a usted o alguien a su alrededor.

**⚠PRECAUCIÓN:** No instale el cartucho de batería a la fuerza. Si el cartucho no se desliza al interior fácilmente, se debe a que no está siendo insertado correctamente.

## Sistema de protección para la herramienta/batería

La herramienta está equipada con un sistema de protección para la herramienta/batería. Este sistema corta automáticamente la alimentación al motor para prolongar la vida de la herramienta y la batería. La herramienta se detendrá automáticamente durante la operación y las luces indicadoras se iluminarán si ésta se somete a alguna de las siguientes condiciones:



► 1. Luces indicadoras

Color	Luces indicadoras			Estado de protección
	Iluminadas	Apagado	Parpadeando	
Verde				Sobrecarga
Rojo				Sobrecalentamiento
Rojo				Sobredescarga

## Protección contra sobrecarga

Si la herramienta presenta una de las siguientes situaciones, la herramienta se detendrá automáticamente y la luz indicadora parpadeará en color verde:

- La herramienta o batería se sobrecargan cuando se enreda maleza u otros residuos.
- La herramienta de corte está bloqueada.
- El botón de encendido principal se enciende mientras se está jalando el gatillo interruptor.

En esta situación, suelte el gatillo interruptor y quite la maleza u otros residuos enredados si es necesario. Después de esto, vuelva a jalar el gatillo interruptor para reanudar el funcionamiento.

**⚠PRECAUCIÓN:** Si necesita extraer la maleza enredada en la herramienta o liberar la herramienta de corte bloqueada, asegúrese de haber apagado la herramienta antes de iniciar.



## Protección contra el sobrecalentamiento de la herramienta o la batería

Cuando la herramienta o el cartucho de batería se sobrecalientan, la herramienta se detendrá automáticamente y la luz indicadora se ilumina en color rojo. Permita que la herramienta o la batería se enfríen antes de volver a encender la herramienta.

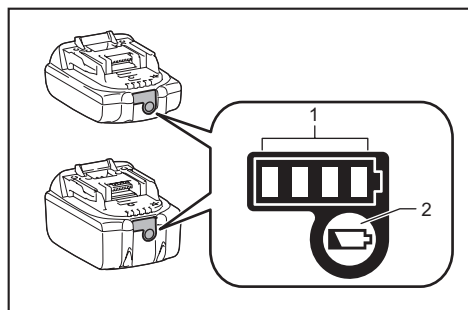
## Protección en caso de sobredescarga

Cuando la capacidad de la batería se reduce, la herramienta se detiene automáticamente. La luz indicadora empieza a parpadear en rojo.

Si la herramienta no funciona incluso cuando los interruptores están siendo operados, retire el cartucho de batería de la herramienta y cárguelo.

## Indicación de la capacidad restante de la batería

Únicamente para cartuchos de batería con el indicador



► 1. Luces indicadoras 2. Botón de verificación

Oprima el botón de verificación en el cartucho de la batería para que indique la capacidad restante de la batería. Las luces indicadoras se iluminarán por algunos segundos.

Luces indicadoras			Capacidad restante
Iluminadas	Apagadas	Parpadeando	
■	□	◻	75% a 100%
■ ■ ■ ■	□ □ □ □		50% a 75%
■ ■ □ □	□ □ □ □		25% a 50%
■ □ □ □	□ □ □ □		0% a 25%
◻	□ □ □ □		Cargar la batería.
■ ■ □ □	□ □ □ □		La batería pudo haber funcionado mal.
□ □ ■ ■	□ □ □ □		

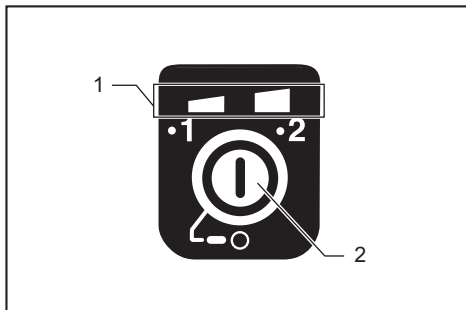
**NOTA:** Dependiendo de las condiciones de uso y la temperatura ambiente, la indicación podrá diferir ligeramente de la capacidad real.

**NOTA:** La primera luz indicadora (extrema izquierda) parpadeará cuando el sistema de protección de batería esté en funcionamiento.

## Interruptor de alimentación principal

Pulse el botón de encendido principal para encender la herramienta.

Para apagar la herramienta, mantenga oprimido el botón de encendido principal hasta que las luces indicadoras se apaguen.



► 1. Luces indicadoras 2. Botón de encendido principal

**NOTA:** La herramienta se apagará automáticamente si no es operada durante cierto período de tiempo.

## Accionamiento del interruptor

**⚠ADVERTENCIA:** Por su seguridad, esta herramienta está equipada con una palanca de desbloqueo para prevenir un arranque no intencional de la herramienta. **NUNCA** use la herramienta si se activa simplemente al jalar el gatillo interruptor sin presionar la palanca de desbloqueo. Devuelva la herramienta a nuestro centro de servicio autorizado para que realicen las reparaciones apropiadas ANTES de continuar su uso.

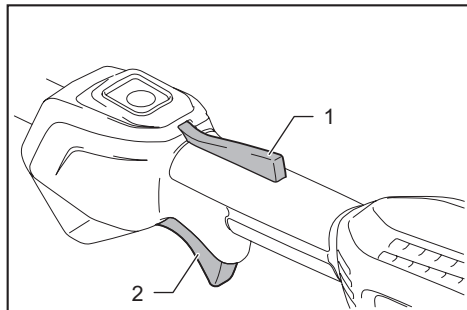
**⚠ADVERTENCIA:** **NUNCA** fije con cinta adhesiva ni impida el funcionamiento ni la finalidad de la palanca de desbloqueo.

**⚠PRECAUCIÓN:** Antes de instalar el cartucho de batería en la herramienta, compruebe siempre que el gatillo interruptor se accione debidamente y que regrese a la posición de apagado una vez que se suelte. Usar una herramienta con un interruptor que no funciona adecuadamente puede resultar en pérdida del control ocasionando graves lesiones a la persona.

**⚠PRECAUCIÓN:** Nunca coloque su dedo en el botón de encendido principal y en el gatillo interruptor cuando transporte la herramienta. La herramienta podría ponerse en marcha accidentalmente y ocasionar una lesión.

**AVISO:** No jale fuerte el gatillo interruptor sin presionar la palanca de desbloqueo. Esto podría dañar el interruptor.

Se proporciona una palanca de desbloqueo para evitar que el gatillo interruptor sea jalado accidentalmente. Para arrancar la herramienta, presione la palanca de desbloqueo y jale el gatillo interruptor. La velocidad de la herramienta aumenta al incrementar la presión en el gatillo interruptor. Para detenerla, suelte el gatillo interruptor.

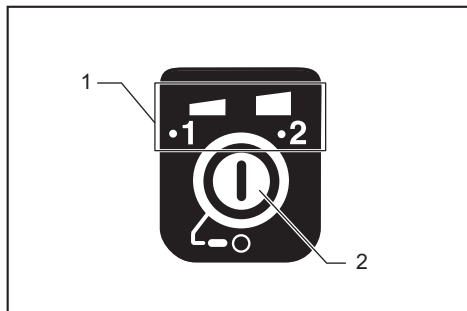


► 1. Palanca de desbloqueo 2. Gatillo interruptor

**NOTA:** La herramienta se apaga automáticamente al haber transcurrido un cierto período sin usarla.

## Ajuste de velocidad

Puede seleccionar la velocidad de la herramienta pulsando el botón de encendido principal. Cada vez que toque el botón de encendido principal, el nivel de velocidad cambiará.



► 1. Luces indicadoras 2. Botón de encendido principal

Luces indicadoras	Modo	Velocidad de rotación
	Alta	0 - 6 000 r/min
	Baja	0 - 4 500 r/min

## Freno eléctrico

Esta herramienta está equipada con un freno eléctrico. Si de manera consistente la herramienta no logra detenerse rápidamente después de soltar el gatillo interruptor, lleve la herramienta a nuestro centro de servicio para que le den mantenimiento.

**PRECAUCIÓN:** Este sistema de frenado no es un sustituto para el protector. Nunca utilice la herramienta sin el protector. El uso de una herramienta de corte sin el protector puede ocasionar graves lesiones personales.

## Función eléctrica

### Control de velocidad constante

La función de control de velocidad permite una rotación constante independientemente de las condiciones de carga.

### Característica de inicio suave

Inicio suave debido a la supresión del choque de inicio.

## MONTAJE

**ADVERTENCIA:** Asegúrese siempre de que la herramienta esté apagada y que el cartucho de batería haya sido extraído antes de realizar cualquier trabajo en la herramienta. El no seguir esta indicación de apagar y quitar el cartucho de batería puede ocasionar lesiones personales graves debido al encendido accidental.

**ADVERTENCIA:** Nunca arranque la herramienta a menos que se encuentre completamente ensamblada. La operación de la herramienta en un estado de ensamble parcial puede ocasionar lesiones personales graves en caso de un arranque accidental.

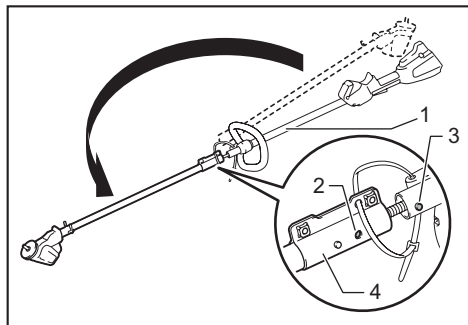
**PRECAUCIÓN:** No desensamble la herramienta una vez que haya instalado todos los componentes principales.

## Instalación de los componentes principales

### Ensamblado del tubo

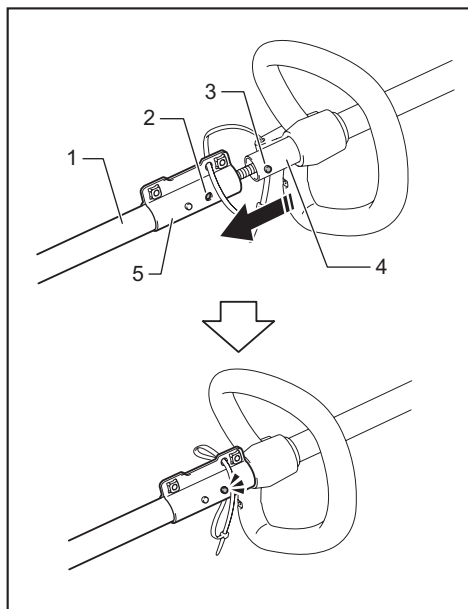
**⚠ PRECAUCIÓN:** Evite cortar el sujetacables (sujetador de nailon) hasta que los tubos doblados se hayan ensamblado firmemente.

1. Ponga rectos los tubos plegados en dos, y luego alinee el pasador del tope del tubo superior con el orificio del tope en la unión.



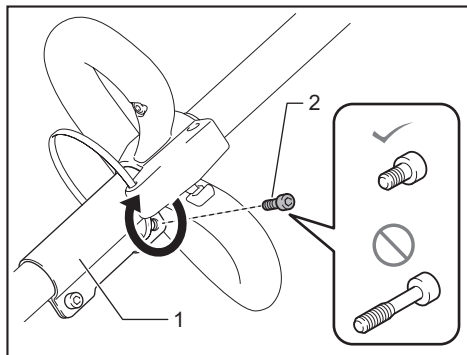
- 1. Tubo superior 2. Orificio del tope 3. Pasador del tope 4. Unión

2. Inserte el tubo superior dentro de la unión mientras mantiene apretado el pasador del tope. Asegúrese de que el pasador pasa a través del orificio del tope y asegura firmemente el tubo inferior.



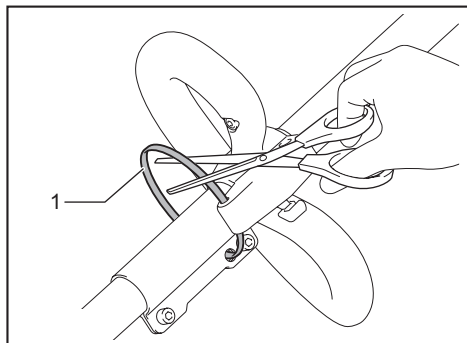
- 1. Tubo inferior 2. Orificio del tope 3. Pasador del tope 4. Tubo superior 5. Unión

3. Apriete firmemente el perno de cabeza hueca hexagonal para fijar la unión.



- 1. Unión 2. Perno de cabeza hueca hexagonal

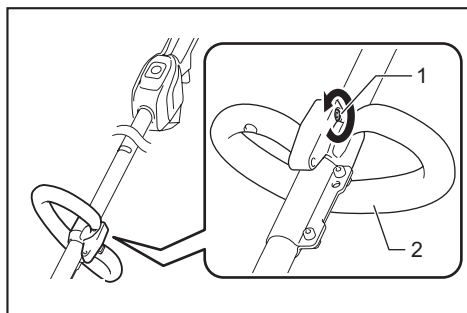
4. Corte el sujetacables (sujetador de nailon) y retírelo de la herramienta.



- 1. Sujetacables

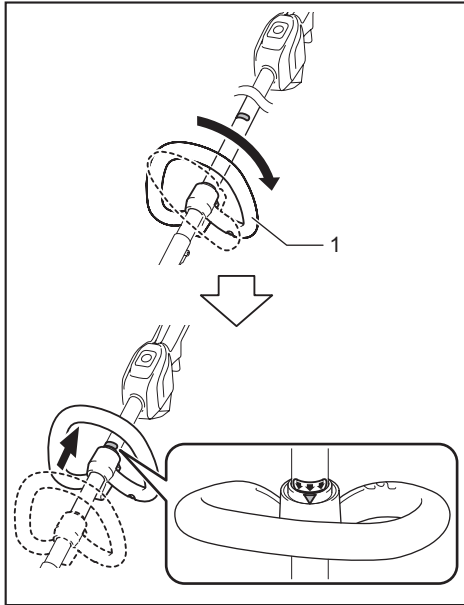
### Mango

1. Afloje el perno de cabeza hueca hexagonal en el mango.



- 1. Perno de cabeza hueca hexagonal 2. Mango

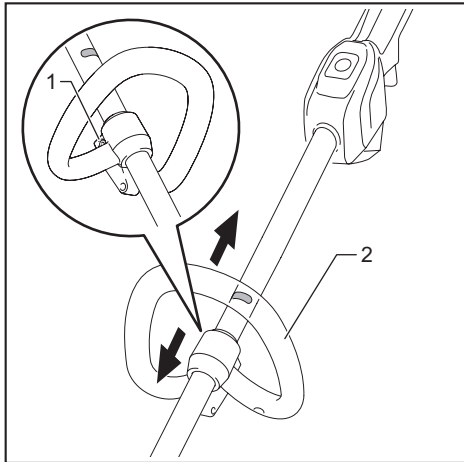
2. Fije el ángulo y la posición del mango tal como se muestra en la ilustración, y luego apriete el perno.



► 1. Mango

## Ajuste de la posición del mango

Afije el perno de cabeza hueca hexagonal en el mango. Desplace el mango a una posición de trabajo cómoda, y luego apriete el perno.



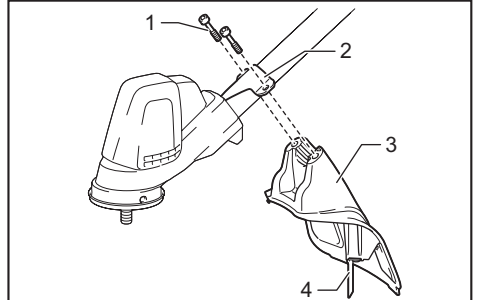
► 1. Perno de cabeza hueca hexagonal 2. Mango

## Instalación del protector

**⚠ADVERTENCIA:** Nunca utilice la herramienta sin el protector ilustrado en su lugar. El no seguir esta indicación podría causar lesiones personales graves.

**⚠PRECAUCIÓN:** Tenga cuidado de no lastimarse con la cortadora al cortar el cordón de nailon.

Fije el protector a la abrazadera usando los pernos.



► 1. Perno de cabeza hueca hexagonal 2. Abrazadera  
3. Protector 4. Pieza de corte

## Instalación de la herramienta de corte

**⚠PRECAUCIÓN:** Utilice siempre las llaves suministradas para extraer o instalar la herramienta de corte.

**⚠PRECAUCIÓN:** Tenga cuidado de extraer la llave hexagonal insertada en el cabezal de la herramienta, después de instalar la herramienta de corte.

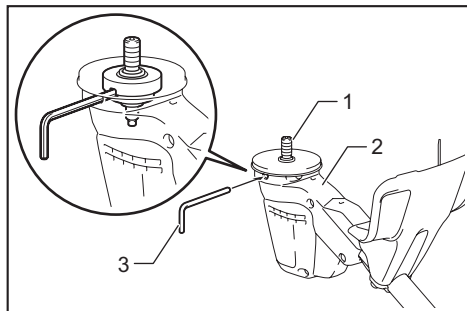
**NOTA:** El tipo de herramienta(s) de corte suministrado como el aditamento estándar varía dependiendo de cada país. La herramienta de corte no se incluye en algunos países.

**NOTA:** Voltee la herramienta al revés para que pueda reemplazar fácilmente la herramienta de corte.

## Cabezal de corte de nailon

**AVISO:** Asegúrese de utilizar un cabezal de corte de nailon original de Makita.

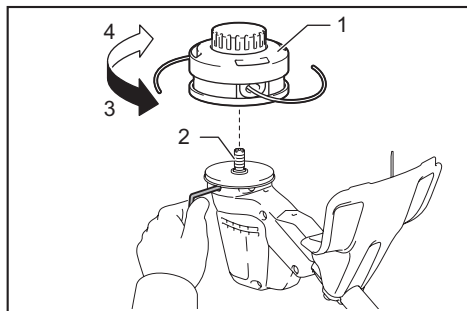
1. Inserte la llave hexagonal a través del orificio en la carcasa del motor para bloquear el eje. Gire el eje hasta que la llave hexagonal se haya insertado por completo.



► 1. Eje 2. Carcasa del motor 3. Llave hexagonal

**NOTA:** Los orificios en la carcasa del motor están en el lado izquierdo y en el lado derecho.

2. Coloque el cabezal de corte de nailon en el eje y apriételo firmemente con la mano.



► 1. Cabezal de corte de nailon 2. Eje 3. Apretar  
4. Aflojar

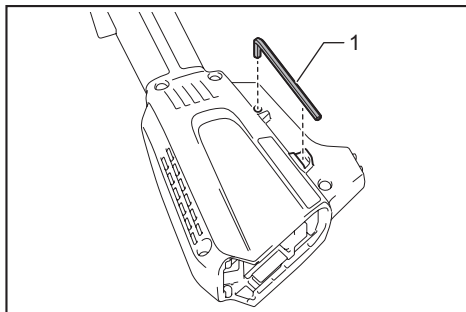
3. Extraiga la llave hexagonal de la carcasa del motor.

Para extraer el cabezal de corte de nailon, siga los procedimientos de instalación en orden inverso.

## Almacenamiento de la llave Allen (hexagonal)

**PRECAUCIÓN:** Tenga cuidado de no dejar la llave hexagonal insertada en el cabezal de la herramienta. Esto podría ocasionar lesiones y/o daños a la herramienta.

Cuando no se utilice, guarde la llave hexagonal en su lugar tal como se muestra en la ilustración para evitar que se pierda.



► 1. Llave hexagonal

## OPERACIÓN

### Manipulación correcta de la herramienta

**ADVERTENCIA:** Siempre coloque la herramienta de su lado derecho. La correcta posición de la herramienta permite un máximo control y reducirá el riesgo de lesiones personales graves.

**ADVERTENCIA:** Sea extremadamente cuidadoso en mantener el control de la herramienta en todo momento. No permita que la herramienta se desvíe hacia usted ni hacia otra persona alrededor. El no mantener el control de la herramienta podría ocasionar lesiones graves a las personas alrededor y al operador.

**ADVERTENCIA:** Cuando dos o más operadores se encuentren trabajando en una misma área, la distancia entre ellos deberá ser de más de 15 m (50 pies) para evitar un accidente. Asimismo, designe a una persona para verificar que se mantenga la distancia entre los operadores. Si alguna persona o animal llega a ingresar al área de trabajo, detenga la operación inmediatamente.

**PRECAUCIÓN:** Si durante la operación la herramienta de corte se impacta accidentalmente contra alguna piedra u objeto duro, detenga la herramienta y revise que no haya daños. Si la herramienta de corte se daña, reemplácela de inmediato. El uso de una herramienta de corte dañada puede ocasionar lesiones personales graves.

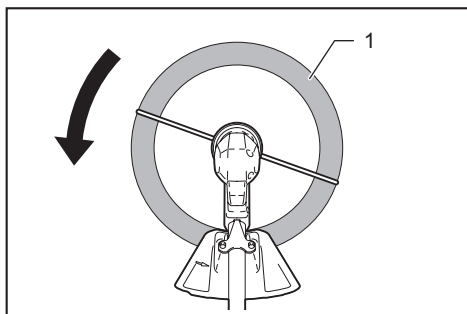
La correcta posición y manipulación permiten un control óptimo y reducen el riesgo de lesiones.



#### Quando utilice un cabezal de corte de nailon (de tipo golpe y alimentación)

El cabezal de corte de nailon es una cabeza de desbrozadora dual con un mecanismo de golpe y alimentación.

Para alimentar el cordón de nailon, golpee ligeramente el cabezal contra el suelo mientras esté girando.



► 1. Área de corte más eficaz

**AVISO:** La alimentación por golpe no funcionará correctamente si el cabezal de corte de nailon no se encuentra girando.

**NOTA:** Si la alimentación del cordón de nailon no ocurre al golpear ligeramente el cabezal, rebobine/ reemplace el cordón de nailon siguiendo los procedimientos en la sección para mantenimiento.

## MANTENIMIENTO

**ADVERTENCIA:** Asegúrese siempre de que la herramienta esté apagada y que el cartucho de batería haya sido extraído antes de intentar realizar una inspección o mantenimiento en la herramienta. El no seguir esta indicación de apagar y quitar el cartucho de batería puede ocasionar lesiones personales graves debido al encendido accidental.

**AVISO:** Nunca use gasolina, bencina, diluyente (tiner), alcohol o sustancias similares. Puede que esto ocasione grietas o descoloramiento.

Para mantener la SEGURIDAD y FIABILIDAD del producto, las reparaciones, y cualquier otra tarea de mantenimiento o ajuste deberán ser realizadas en centros de servicio autorizados o de fábrica Makita, empleando siempre repuestos Makita.

## Limpieza de la herramienta

Limpe la herramienta quitando el polvo, la tierra o los residuos de pasto con un paño seco o un paño humedecido en agua y jabón y exprimido. Para evitar el sobrecalentamiento de la herramienta, cerciórese de retirar los residuos de pasto o los residuos adheridos a la abertura de ventilación de la herramienta.

## Reemplazo del cordón de nailon

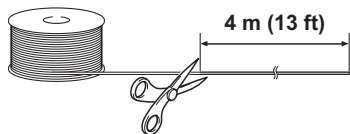
**ADVERTENCIA:** Utilice el cordón de nailon únicamente con el diámetro especificado en este manual de instrucciones. Nunca use una línea más pesada, alambre de metal, cuerda o similares. El no hacerlo podría causar daños a la herramienta y resultar en lesiones personales graves.

**ADVERTENCIA:** Extraiga siempre el cabezal de corte de nailon de la herramienta cuando vaya a reemplazar el cordón de nailon.

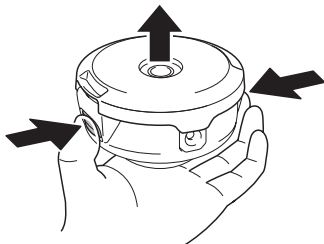
**ADVERTENCIA:** Asegúrese de que la cubierta del cabezal de corte de nailon quede debidamente asegurada en la carcasa tal como se describe en este manual de instrucciones. No asegurar que la cubierta haya quedado correctamente fija puede que cause que la cabezal de corte de nailon (nylon) salga arrojada resultando en graves lesiones a la persona.

Reemplace el cordón de nailon si su alimentación ya no es posible. El método para reemplazar el cordón de nailon varía en función del tipo de cabezal de corte de nailon.

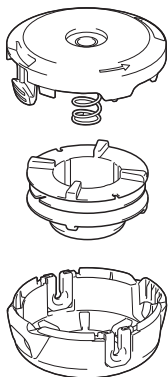
1



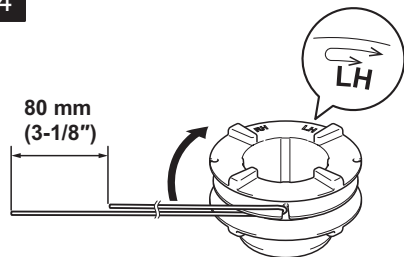
2



3

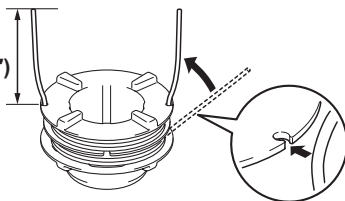


4

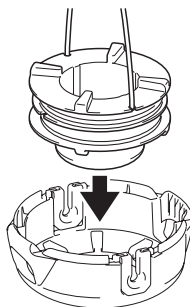


5

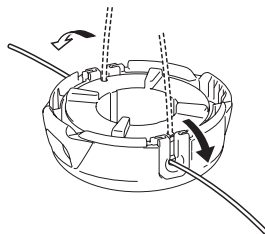
100 mm (3-15/16")



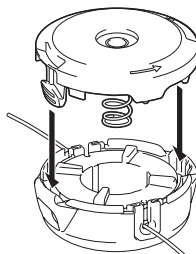
6



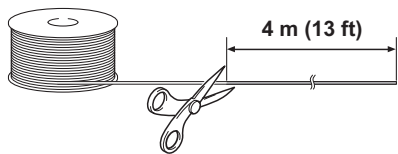
7



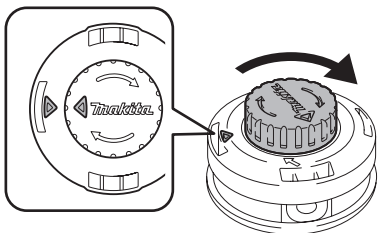
8



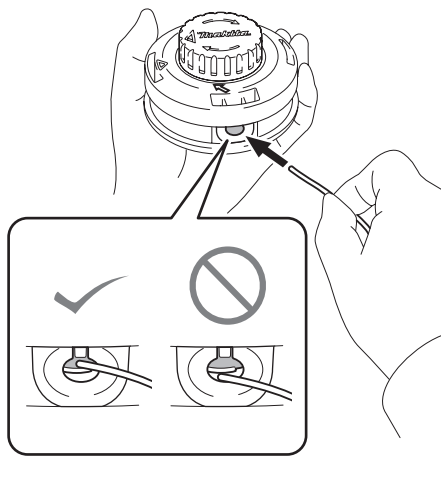
1



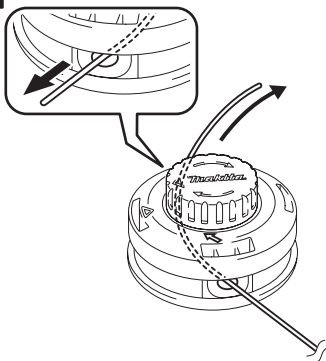
2



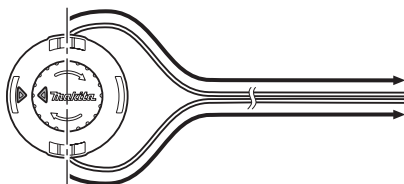
3



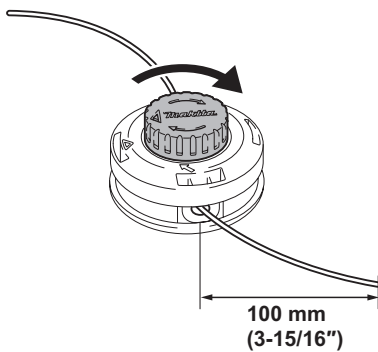
4



5



6





# RESOLUCIÓN DE PROBLEMAS

Antes de solicitar alguna reparación, primero realice una inspección por su cuenta. Si detecta algún problema que no esté explicado en el manual, no intente desensamblar la herramienta. En vez de esto, solicite la reparación a un centro de servicio autorizado de Makita, usando siempre piezas de repuesto Makita.

Estado de la anomalía	Causa probable (avería)	Remedio
El motor no funciona.	El cartucho de batería no está instalado.	Instale el cartucho de batería.
	Problema con la batería (bajo voltaje)	Recargue la batería. Si la recarga no es efectiva, reemplace la batería.
	El sistema de accionamiento no funciona correctamente.	Solicite la reparación en el centro de servicio autorizado de su localidad.
El motor deja de funcionar después de un rato de uso.	El nivel de carga de la batería es bajo.	Recargue la batería. Si la recarga no es efectiva, reemplace la batería.
	Sobrecalentamiento.	Deje de usar la herramienta para permitir que se enfríe.
No se alcanza el nivel máximo de RPM.	La batería está mal instalada.	Instale el cartucho de batería como se describe en este manual.
	La potencia de la batería se está reduciendo.	Recargue la batería. Si la recarga no es efectiva, reemplace la batería.
	El sistema de accionamiento no funciona correctamente.	Solicite la reparación en el centro de servicio autorizado de su localidad.
La herramienta de corte no gira: ⇒ ¡Detenga la máquina inmediatamente!	Un objeto extraño, como una rama, está atascado entre el protector y la herramienta de corte.	Retire el objeto extraño.
	La herramienta de corte está fijada de manera suelta.	Apriete la herramienta de corte firmemente.
	El sistema de accionamiento no funciona correctamente.	Solicite la reparación en el centro de servicio autorizado de su localidad.
Vibración anormal: ⇒ ¡Detenga la máquina inmediatamente!	Un extremo del cordón de nailon se ha roto.	Golpee el cabezal de corte de nailon contra el suelo mientras esté girando para permitir la alimentación del cordón.
	La herramienta de corte está rota, doblada o desgastada	Reemplace la herramienta de corte.
	La herramienta de corte está fijada de manera suelta.	Apriete la herramienta de corte firmemente.
	El sistema de accionamiento no funciona correctamente.	Solicite la reparación en el centro de servicio autorizado de su localidad.
La herramienta de corte y el motor no se pueden detener: ⇒ ¡Extraiga la batería inmediatamente!	Avería eléctrica o electrónica.	Extraiga la batería y solicite la reparación en el centro de servicio autorizado de su localidad.

## ACCESORIOS OPCIONALES

**⚠️ ADVERTENCIA:** Solo use los accesorios o aditamentos recomendados que se indican en este manual. El uso de cualquier otro accesorio o aditamento puede ocasionar lesiones personales graves.

**⚠️ PRECAUCIÓN:** Estos accesorios o aditamentos están recomendados para utilizarse con su herramienta Makita especificada en este manual. El empleo de cualquier otro accesorio o aditamento puede conllevar el riesgo de lesiones personales. Utilice los accesorios o aditamentos solamente para su fin establecido.

Si necesita cualquier ayuda para más detalles en relación con estos accesorios, pregunte a su centro de servicio local Makita.

- Cabezal de corte de nailon
- Cordón de nailon (línea de corte)
- Batería y cargador originales de Makita

**NOTA:** Algunos de los artículos en la lista pueden incluirse en el paquete de la herramienta como accesorios estándar. Éstos pueden variar de país a país.

## GARANTÍA LIMITADA DE MAKITA

### Ésta Garantía no aplica para México

Consulte la hoja de la garantía anexa para ver los términos más vigentes de la garantía aplicable a este producto. En caso de no disponer de esta hoja de garantía anexa, consulte los detalles sobre la garantía descritos en el sitio web de su país respectivo indicado a continuación.

Estados Unidos de América: [www.makitatools.com](http://www.makitatools.com)  
 Canadá: [www.makita.ca](http://www.makita.ca)  
 Otros países: [www.makita.com](http://www.makita.com)





**Makita Corporation**  
3-11-8, Sumiyoshi-cho,  
Anjo, Aichi 446-8502 Japan  
[www.makita.com](http://www.makita.com)

885822-944  
XRU23-1  
EN, ESMX  
20200803