

*If you have questions or comments, contact us.
Pour toute question ou tout commentaire, nous contacter.
Si tiene dudas o comentarios, contáctenos.*

1-800-4-DEWALT • www.dewalt.com

INSTRUCTIVO DE OPERACIÓN, CENTROS DE SERVICIO Y PÓLIZA DE GARANTÍA. ADVERTENCIA: LEASE ESTE INSTRUCTIVO ANTES DE USAR EL PRODUCTO.

**INSTRUCTION MANUAL
GUIDE D'UTILISATION
MANUAL DE INSTRUCCIONES**

DEWALT®

**DW310, DW311
VS Reciprocating Saws
Scies alternatives à vitesse variable
Sierras alternativas de velocidad variable**

DeWALT Industrial Tool Co., 701 East Joppa Road, Baltimore, MD 21286

(FEB06) Form No. 634900-00 DW310, DW311 Copyright © 2005, 2006 DeWALT

The following are trademarks for one or more DeWALT power tools: the yellow and black color scheme; the "D" shaped air intake grill; the array of pyramids on the handgrip; the kit box configuration; and the array of lozenge-shaped humps on the surface of the tool.

IF YOU HAVE ANY QUESTIONS OR COMMENTS ABOUT THIS OR ANY DeWALT TOOL, CALL US TOLL FREE AT: **1-800-4-DEWALT (1-800-433-9258)**

▲ WARNING: To reduce the risk of injury, user must read instruction manual.

General Safety Rules

▲ WARNING! Read all instructions. Failure to follow all instructions listed below may result in electric shock, fire and/or serious injury. The term "power tool" in all of the warnings listed below refers to your mains-operated (corded) power tool or battery-operated (cordless) power tool.

SAVE THESE INSTRUCTIONS

1) WORK AREA SAFETY

- a) **Keep work area clean and well lit.** Cluttered or dark areas invite accidents.
- b) **Do not operate power tools in explosive atmospheres, such as in the presence of flammable liquids, gases or dust.** Power tools create sparks which may ignite the dust or fumes.
- c) **Keep children and bystanders away while operating a power tool.** Distractions can cause you to lose control.

2) ELECTRICAL SAFETY

- a) **Power tool plugs must match the outlet. Never modify the plug in any way. Do not use any adapter plugs with earthed (grounded) power tools.** Unmodified plugs and matching outlets will reduce risk of electric shock.
- b) **Avoid body contact with earthed or grounded surfaces such as pipes, radiators, ranges and refrigerators.** There is an increased risk of electric shock if your body is earthed or grounded.
- c) **Do not expose power tools to rain or wet conditions.** Water entering a power tool will increase the risk of electric shock.
- d) **Do not abuse the cord. Never use the cord for carrying, pulling or unplugging the power tool. Keep cord away from heat, oil, sharp edges or moving parts.** Damaged or entangled cords increase the risk of electric shock. Replace or repair damaged cords. Make sure your extension cord is in good condition. Use only 3-wire extension cords that have 3-prong grounding-type plugs and 3-pole receptacles that accept the tool's plug.
- e) **When operating a power tool outdoors, use an extension cord suitable for outdoor use.** Use of a cord suitable for outdoor use reduces the risk of electric shock. When using an extension cord, be sure to use one heavy enough to carry the current your product will draw. An undersized cord will cause a drop in line voltage resulting in loss of power and overheating. The following table shows the correct size to use depending on cord length and nameplate ampere rating. If in doubt, use the next heavier gage. The smaller the gage number, the heavier the cord.

Volts	Minimum Gage for Cord Sets				
	Total Length of Cord in Feet				
120V	0-25	26-50	51-100	101-150	
240V	0-50	51-100	101-200	201-300	
Ampere Rating		AWG			
More Than	Not more Than				
0	6	18	16	16	14
6	10	18	16	14	12
10	12	16	16	14	12
12	16	14	12	Not Recommended	

3) PERSONAL SAFETY

- a) **Stay alert, watch what you are doing and use common sense when operating a power tool. Do not use a power tool while you are tired or under the influence of drugs, alcohol or medication.** A moment of inattention while operating power tools may result in serious personal injury.
- b) **Use safety equipment. Always wear eye protection.** Safety equipment such as dust mask, non-skid safety shoes, hard hat, or hearing protection used for appropriate conditions will reduce personal injuries.

- c) **Avoid accidental starting. Ensure the switch is in the off-position before plugging in.** Carrying power tools with your finger on the switch or plugging in power tools that have the switch on invites accidents.
- d) **Remove any adjusting key or wrench before turning the power tool on.** A wrench or a key left attached to a rotating part of the power tool may result in personal injury.
- e) **Do not overreach. Keep proper footing and balance at all times.** This enables better control of the power tool in unexpected situations.
- f) **Dress properly. Do not wear loose clothing or jewellery. Keep your hair, clothing and gloves away from moving parts.** Loose clothes, jewellery or long hair can be caught in moving parts. Air vents often cover moving parts and should also be avoided.
- g) **If devices are provided for the connection of dust extraction and collection facilities, ensure these are connected and properly used.** Use of these devices can reduce dust-related hazards.

4) POWER TOOL USE AND CARE

- a) **Do not force the power tool. Use the correct power tool for your application.** The correct power tool will do the job better and safer at the rate for which it was designed.
- b) **Do not use the power tool if the switch does not turn it on and off.** Any power tool that cannot be controlled with the switch is dangerous and must be repaired.
- c) **Disconnect the plug from the power source and/or the battery pack from the power tool before making any adjustments, changing accessories, or storing power tools.** Such preventive safety measures reduce the risk of starting the power tool accidentally.
- d) **Store idle power tools out of the reach of children and do not allow persons unfamiliar with the power tool or these instructions to operate the power tool.** Power tools are dangerous in the hands of untrained users.
- e) **Maintain power tools. Check for misalignment or binding of moving parts, breakage of parts and any other condition that may affect the power tools operation. If damaged, have the power tool repaired before use.** Many accidents are caused by poorly maintained power tools.
- f) **Keep cutting tools sharp and clean.** Properly maintained cutting tools with sharp cutting edges are less likely to bind and are easier to control.
- g) **Use the power tool, accessories and tool bits etc., in accordance with these instructions and in the manner intended for the particular type of power tool, taking into account the working conditions and the work to be performed.** Use of the power tool for operations different from those intended could result in a hazardous situation.

5) SERVICE

- a) **Have your power tool serviced by a qualified repair person using only identical replacement parts.** This will ensure that the safety of the power tool is maintained.

Additional Specific Safety Rules

- **Hold tool by insulated gripping surfaces when performing an operation where the cutting tool may contact hidden wiring.** Contact with a "live" wire will make exposed metal parts of the tool "live" and shock the operator.
- **Use clamps or another practical way to secure and support the workpiece to a stable platform.** Holding the work by hand or against your body leaves it unstable and may lead to loss of control.
- **Keep hands away from moving parts.** Never place your hands near the cutting area.
- **Keep hands away from cutting area.** When sawing, never reach underneath or behind the material being cut for any reason.
- **Never hold work in your hand, lap or against parts of your body when sawing.** The saw may slip and the blade could contact the body causing injury.
- **Use extra caution when cutting overhead and pay particular attention to overhead wires which may be hidden from view.** Anticipate the path of falling branches and debris ahead of time.
- **Do not operate this tool for long periods of time.** Vibration caused by the operating action of this tool may cause permanent injury to fingers, hands, and arms. Use gloves to provide extra cushion, take frequent rest periods, and limit daily time of use.

▲WARNING: Wear appropriate personal hearing protection during use. Under some conditions and duration of use, noise from this product may contribute to hearing loss.

▲WARNING: Always use eye protection. All users and bystanders must wear eye protection that conforms to ANSI Z87.1.

▲CAUTION: When not in use, place tool on its side on a stable surface where it will not cause a tripping or falling hazard. Some tools with large battery packs will stand upright on the battery pack but may be easily knocked over.

▲WARNING: Some dust created by power sanding, sawing, grinding, drilling, and other construction activities contains chemicals known to cause cancer, birth defects or other reproductive harm. Some examples of these chemicals are:

- lead from lead-based paints,
- crystalline silica from bricks and cement and other masonry products, and
- arsenic and chromium from chemically-treated lumber (CCA).

Your risk from these exposures varies, depending on how often you do this type of work. To reduce your exposure to these chemicals: work in a well ventilated area, and work with approved safety equipment, such as those dust masks that are specially designed to filter out microscopic particles.

- **Avoid prolonged contact with dust from power sanding, sawing, grinding, drilling, and other construction activities. Wear protective clothing and wash exposed areas with soap and water.** Allowing dust to get into your mouth, eyes, or lay on the skin may promote absorption of harmful chemicals.

▲WARNING: Use of this tool can generate and/or disburse dust, which may cause serious and permanent respiratory or other injury. Always use NIOSH/OSHA approved respiratory protection appropriate for the dust exposure. Direct particles away from face and body.

- The label on your tool may include the following symbols. The symbols and their definitions are as follows:

V.....volts	Aamperes
Hz.....hertz	Wwatts
minminutes	~alternating current
====direct current	n _ono load speed
☐Class II Construction	⊕earthing terminal
▲safety alert symbol	.../min.....revolutions per minute

COMPONENTS (Fig. 1)

- A. Trigger switch
- B. Variable speed selector wheel
- C. Shoe release lever
- D. Adjustable shoe
- E. Blade action selector
- F. Blade clamp collar
- G. Hand grip
- H. Rear handle

TRIGGER SWITCH

The variable speed trigger switch (A) will give you added versatility. The further the trigger is depressed the higher the speed of the saw. To turn the tool OFF, release the trigger.

NOTE: This tool has no provision to lock the switch in the ON position, and should never be locked ON by any other means.

CAUTION: Use of very slow speed is recommended only for beginning a cut. Prolonged use at very slow speed may damage your saw.

VARIABLE SPEED SWITCH AND SELECTOR WHEEL

Both saws are equipped with a variable speed control (0 to 2600 SPM). As the trigger switch is depressed, the speed of the saw blade increases.

The DW311 has a variable speed selector wheel (B) to control the speed of the tool. To select a slow speed for operating your saw, rotate the wheel to a low number on the dial. To select a higher speed, rotate the wheel to a higher number.

The lower speeds are recommended for most metal cutting, while the higher speeds are recommended for wood. A few practice cuts on scrap material at various speeds will aid you in choosing the best speed for obtaining the desired results for your application.

Dual Blade Motion (DW311 Only) (Fig. 2)

The DW311 has dual blade motion: straight reciprocating motion or orbital motion.

Straight reciprocating motion is used for all metal cutting operations and for wood cutting applications where finish is more important than speed. To set the saw for straight reciprocating motion, turn the blade action selector (E) 45° clockwise to align the mark (I) with the arrow on the tool (J), as shown.

Orbital motion is used for fast cutting of wood. To set the saw for orbital action, turn the blade action selector 45° counterclockwise to align the mark (K) with the arrow on the tool (J), as shown.

Adjustable Shoe (Fig. 3)

CAUTION: Turn off and unplug the tool before making any adjustments or removing or installing attachments or accessories.

Push the shoe release lever (C) downward and slide the shoe (D) out to the desired setting. Rotate the lever to lock shoe into position.

CAUTION: Cut hazard. To prevent loss of control, never use tool without shoe.

CAUTION: Risk of personal injury and property damage. Ensure the shoe is locked into position before using tool.

Blade Installation and Removal (Fig. 4, 5)

Different blade lengths are available. Use the appropriate blade for the application. The blade should be longer than 3-1/2" and should extend past the shoe and the thickness of the workpiece during the cut. Select the blade best suitable for the material to be cut and use the shortest blade suitable for the thickness of the material. Do not use jigsaw blades with this tool.

WARNING: Cut hazard. Blade breakage may occur if the blade does not extend past the shoe and the workpiece during the cut (Fig. 4). Increased risk of personal injury, as well as damage to the shoe and workpiece may result.

WARNING: Cut hazard. Turn off and unplug the tool before making any adjustments or removing or installing attachments or accessories.

TO INSTALL BLADE INTO SAW (FIG. 5)

1. Point tool away from body.
2. Rotate blade clamp collar (F) to release position.
3. Insert blade shank from the front.
4. Rotate blade clamp collar to lock blade into position.

NOTE: Blade can be installed upside-down to assist in flush-to cutting, see Figure 7.

TO REMOVE BLADE FROM SAW

WARNING: Burn hazard. Do not touch the the blade immediately after use. Contact with the blade may result in personal injury.

1. Rotate blade clamp collar (F) to release position.
2. Remove blade.

Operation

WARNING: Always wear eye protection while operating this or any other power tool.

WARNING: Burn hazard. Do not touch the the blade immediately after use. Contact with the blade may result in personal injury.

Before you begin work, ensure the material to be cut is rigid. Small workpieces should be securely clamped to the work table.

PROPER HAND POSITION

Grasp the underside of the hand grip (G) with one hand and the rear handle (H) with the other hand.

Cutting (Fig. 6)

WARNING: Always wear eye protection while operating this power tool.

WARNING: Cut hazard. Exercise extra caution when cutting towards operator. Always hold saw firmly with both hands while cutting.

Before cutting any type of material, be sure it is firmly anchored or clamped to prevent slipping. Place blade lightly against work to be cut, depress the trigger switch and allow it to obtain maximum speed before applying pressure. Whenever possible, the saw shoe must be held firmly against the material being cut. This will prevent the saw from jumping or vibrating and minimize blade breakage. Any cut which puts pressure on the blade, such as angle or scroll cuts, increase potential for vibration, kickback and blade breakage.

NOTE: The blade cuts on the down stroke leaving the cleanest edge on the underside of the material.

WARNING: Shock hazard. Use extra caution when cutting overhead and pay particular attention to overhead wires which may be hidden from view.

WARNING: Use extra caution when cutting overhead and anticipate the path of falling branches and debris ahead of time.

WARNING: Inspect work site for hidden gas pipes, water pipes, or electrical wires before making blind or plunge cuts. Failure to do so may result in explosion, property damage, electric shock, and/or serious personal injury.

FLUSH-TO CUTTING (FIG. 7)

The compact design of the saw motor housing and spindle housing permits extremely close cutting to floors, corners and other difficult areas. The blade can be installed upside-down to assist in flush-to cutting

POCKET/PLUNGE CUTTING – WOOD ONLY (FIG. 8)

WARNING: Shock hazard. Exercise extreme caution when blind cutting to ensure that there are no foreign objects such as electrical wire, conduit, plumbing pipes, etc., that may come in contact with the blade.

NOTE: DO NOT attempt to pocket/plunge cut metal.

The initial step in pocket/plunge cutting is to measure the surface area to be cut and mark clearly with a pencil, chalk or scribe. Use the appropriate blade for the application. The blade should be longer than 3-1/2" (88.9mm) and should extend past the shoe and the thickness of the workpiece during the cut. Insert blade in blade clamp.

Next, tip the saw backward until the back edge of the shoe is resting on the work surface and the blade clears the work surface. Depress trigger switch to turn motor on, always permitting blade to attain maximum speed. Grip saw steadily and begin a slow, deliberate upward swing with the handle of the saw. Blade will begin to feed into material. Always be sure blade is completely through material before continuing with pocket/plunge cut.

NOTE: In areas where blade visibility is limited, use the edge of the saw shoe as a guide. Lines for any given cut should be extended beyond edge of cut to be made.

METAL CUTTING (FIG. 9)

This unit has different metal cutting capacities depending upon type of blade used and the metal to be cut. Use a finer blade for ferrous metals and a coarse blade for non-ferrous materials. In thin gauge sheet metals it is best to clamp wood to both sides of sheet. This will insure a clean cut without excess vibration or tearing of metal. Always remember not to force cutting blade as this reduces blade life and causes costly blade breakage. Start the cut on the surface where the greatest number of teeth will contact the workpiece.

NOTE: It is generally recommended that when cutting metals you should spread a thin film of oil or other lubricant along the line ahead of the saw cut for easier operation and longer blade life.

MAINTENANCE

Cleaning

WARNING: Always wear eye protection while operating this power tool.

Periodically blow out all air passages with dry-compressed air. All plastic parts should be cleaned with a soft damp cloth. Never use solvents to clean plastic parts. They could possibly dissolve or otherwise damage the material.

If replacement of the power cord is necessary, the tool should be taken to a DeWALT factory service center, a DeWALT authorized service center or other qualified service personnel in order to avoid a safety hazard. To locate an authorized service center, please contact DeWALT Industrial Tool Co., 701 East Joppa Road, Baltimore, MD 21286, call 1-800-4-DEWALT (1-800-433-9258) or visit our website www.dewalt.com.

Lubrication

This tool has been lubricated with a sufficient amount of high-grade lubricant for the life of this unit under normal conditions. No further lubrication is necessary.

FIG. 1

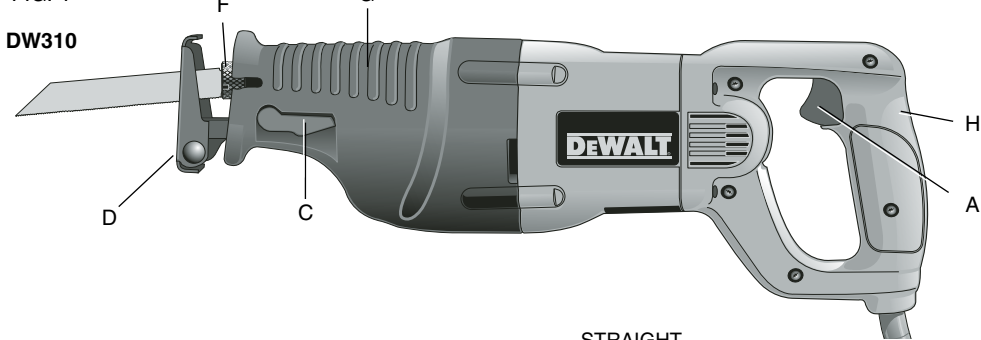


FIG. 2

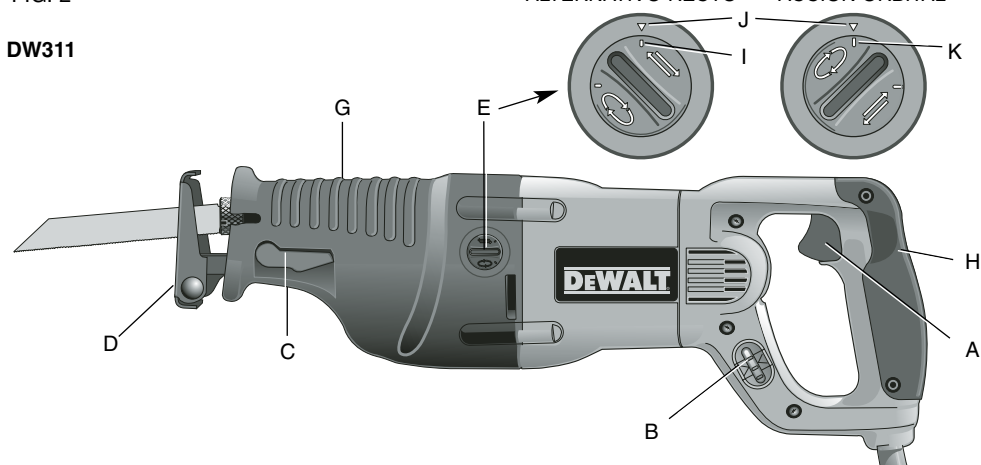


FIG. 3

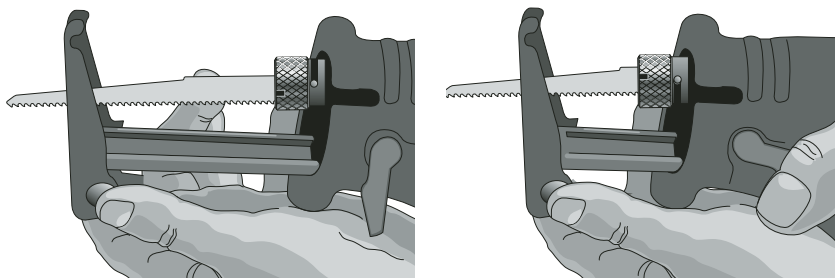


FIG. 4

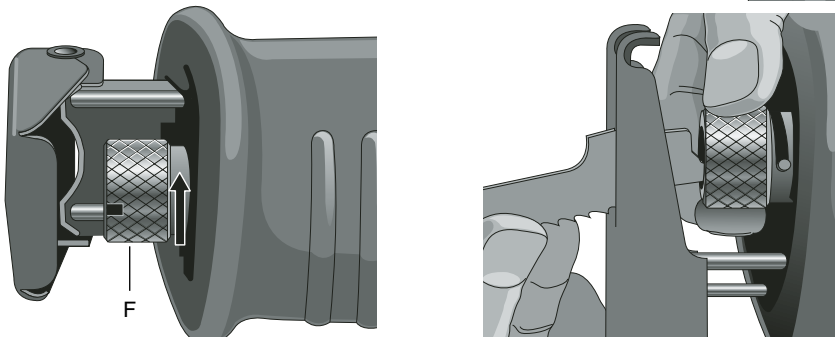


FIG. 5

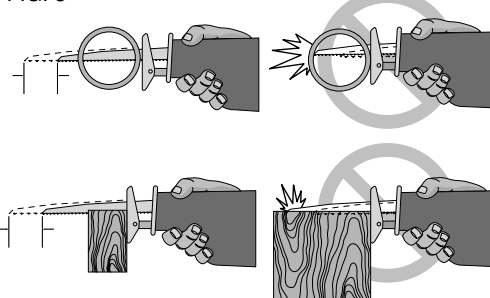


FIG. 6

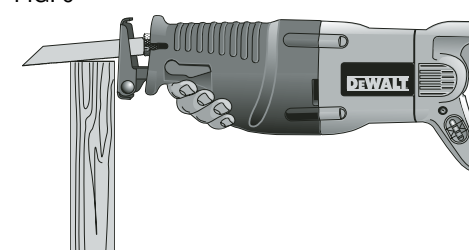


FIG. 7

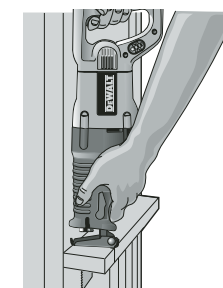


FIG. 8

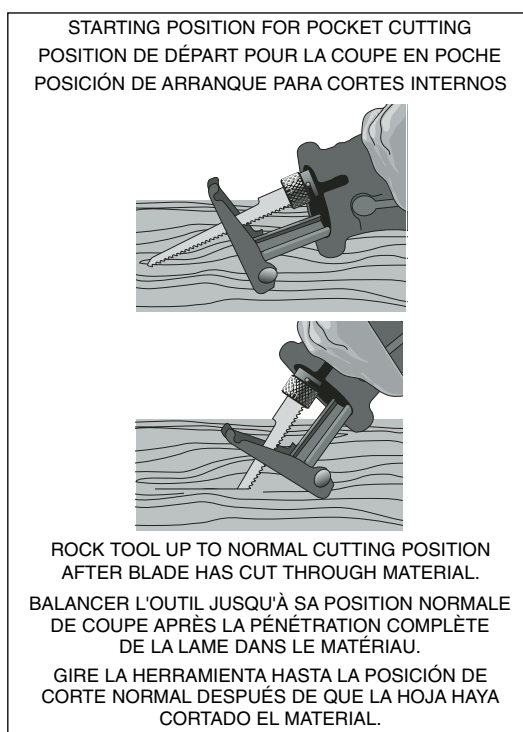
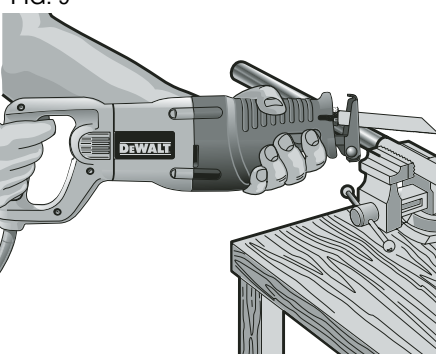


FIG. 9



Brush Inspection

For your continued safety and electrical protection, brush inspection and replacement on this tool should only be performed by a DeWALT factory service center, a DeWALT authorized service center or other qualified service personnel.

At approximately 100 hours of use, take or send your tool to your nearest authorized service center to be thoroughly cleaned and inspected. Have worn parts replaced and lubricated with fresh lubricant. Have new brushes installed and test the tool for performance.

Any loss of power before the above maintenance check may indicate the need for immediate servicing of the tool. DO NOT CONTINUE TO OPERATE THE TOOL UNDER THIS CONDITION. If proper operating voltage is present, return the tool for immediate service.

Accessories

WARNING: Always wear eye protection while operating this power tool.

WARNING: The use of any other accessory not recommended for use with this tool could be hazardous.

Recommended accessories for use with your tool are available at extra cost from your local dealer or authorized service center. If you need assistance in locating any accessory, please

contact DEWALT Industrial Tool Co., 701 East Joppa Road, Baltimore, MD 21286, call 1-800-4-DEWALT (1-800-433-9258) or visit our website www.dewalt.com.

Repairs

To assure product SAFETY and RELIABILITY, repairs, maintenance and adjustments should be performed by a DEWALT factory service center, a DEWALT authorized service center or other qualified service personnel. Always use identical replacement parts.

Three Year Limited Warranty

DEWALT will repair, without charge, any defects due to faulty materials or workmanship for three years from the date of purchase. This warranty does not cover part failure due to normal wear or tool abuse. For further detail of warranty coverage and warranty repair information, visit www.dewalt.com or call 1-800-4-DEWALT (1-800-433-9258). This warranty does not apply to accessories or damage caused where repairs have been made or attempted by others. This warranty gives you specific legal rights and you may have other rights which vary in certain states or provinces.

In addition to the warranty, DEWALT tools are covered by our:

1 YEAR FREE SERVICE

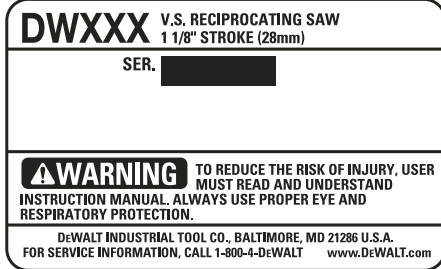
DEWALT will maintain the tool and replace worn parts caused by normal use, for free, any time during the first year after purchase.

90 DAY MONEY BACK GUARANTEE

If you are not completely satisfied with the performance of your DEWALT Power Tool, Laser, or Nailer for any reason, you can return it within 90 days from the date of purchase with a receipt for a full refund – no questions asked.

LATIN AMERICA: This warranty does not apply to products sold in Latin America. For products sold in Latin America, see country specific warranty information contained either in the packaging, call the local company or see website for warranty information.

FREE WARNING LABEL REPLACEMENT: If your warning labels become illegible or are missing, call 1-800-4-DEWALT for a free replacement.



POUR TOUT RENSEIGNEMENT SUPPLÉMENTAIRE SUR CET OUTIL OU TOUT AUTRE OUTIL DEWALT, COMPOSER SANS FRAIS LE NUMÉRO :

1-800-4-DEWALT (1-800-433-9258)

AVERTISSEMENT ! Afin de réduire le risque de blessures, l'utilisateur doit lire le mode d'emploi.

Règles de sécurité – Généralités

AVERTISSEMENT : Lire toutes ces directives. Tout manquement aux directives suivantes pose des risques de choc électrique, d'incendie et/ou de blessure grave. Le terme « outil électrique » dans tous les avertissements ci-après se rapporte à votre outil électrique à alimentation sur secteur (avec fil) ou par piles (sans fil).

CONSERVER CES DIRECTIVES

1) SÉCURITÉ - AIRE DE TRAVAIL

- Maintenir l'aire de travail propre et bien éclairée.** Les lieux encombrés ou sombres sont propices aux accidents.
- Ne pas faire fonctionner un outil électrique dans une atmosphère explosive, en présence par exemple de poussières, gaz ou liquides inflammables.** Les outils électriques peuvent engendrer des étincelles qui pourraient enflammer toute émanation ou poussière ambiante.
- Tenir les enfants, ou toute autre personne, éloignés pendant l'utilisation d'un outil électrique.** Toute distraction pourrait vous faire perdre la maîtrise de ce dernier.

2) SÉCURITÉ – ÉLECTRICITÉ

- La fiche électrique de l'outil doit correspondre à la prise murale. Ne jamais modifier la fiche en aucune façon. Ne jamais utiliser de fiche d'adaptation avec un outil électrique mis à la terre.** L'utilisation de fiches d'origine et de prises appropriées réduira les risques de choc électrique.
- Éviter tout contact corporel avec des éléments mis à la terre comme tuyaux, radiateurs, cuisinières ou réfrigérateurs.** Les risques de choc électrique augmentent lorsque le corps est mis à la terre.
- Ne pas exposer les outils électriques à la pluie ou à l'humidité.** Toute pénétration d'un outil électrique par un liquide augmente les risques de choc électrique.
- Ne pas utiliser le cordon de façon abusive. Ne jamais utiliser le cordon pour transporter, tirer ou débrancher un outil électrique. Protéger le cordon de la chaleur, de l'huile et de tout bord tranchant ou pièce mobile.** Les cordons endommagés ou emmêlés augmentent les risques de choc électrique. Remplacer ou faire réparer tout cordon endommagé. S'assurer que la rallonge est en bon état. N'utiliser que des rallonges trifilaires munies de fiches tripolaires et des prises tripolaires acceptant la fiche de l'outil.
- Lors de l'utilisation d'un outil électrique à l'extérieur, n'utiliser que des rallonges conçues pour l'extérieur.** L'utilisation d'une rallonge conçue pour l'extérieur réduit les risques de choc électrique. En cas d'utilisation d'une rallonge, s'assurer que les valeurs nominales de la rallonge utilisée correspondent bien à celles de l'outil alimenté. L'usage d'une rallonge de calibre insuffisant causera une chute de tension entraînant perte de puissance et surchauffe. Le tableau ci-dessous illustre les calibres à utiliser selon la longueur de rallonge et l'intensité nominale indiquée sur la plaque signalétique. En cas de doutes, utiliser le calibre suivant. Plus le calibre est petit, plus la rallonge peut supporter de courant.

Calibre mínimo para cordones de extensión

Volts	Longitud total del cordón en metros			
120V	0-7,6	7,6-15,2	15,2-30,4	30,4-45,7
240V	0-15,2	15,2-30,4	30,4-60,9	60,9-91,4

Amperaje

Más de		No más de		Calibre del cordón AWG			
0	-	6		18	16	16	14
6	-	10		18	16	14	12
10	-	12		16	16	14	12
12	-	16		14	12	Non recommandé	

3) SÉCURITÉ PERSONNELLE

- Rester vigilant en tout temps et faire preuve de jugement pendant l'utilisation d'un outil électrique. Ne pas utiliser d'outil électrique en cas de fatigue ou sous l'influence de drogues, d'alcool ou de médicaments.** Tout moment d'inattention pendant l'utilisation d'un outil électrique pose des risques de blessure grave.
- Utiliser le matériel de sécurité approprié. Toujours porter des lunettes de protection.** Le fait de porter un masque anti-poussières, des chaussures antidérapantes, un casque de sécurité ou des protecteurs auditifs lorsque la situation le requiert réduira les risques de blessure.
- Éviter tout démarrage accidentel. S'assurer que l'interrupteur est en position d'arrêt avant tout branchement.** Transporter un outil le doigt sur l'interrupteur ou brancher un outil électrique alors que l'interrupteur est en position de marche invite les accidents.

- Retirer toute clé de réglage avant de démarrer l'outil.** Une clé laissée sur une pièce rotative d'un outil électrique pose des risques de blessure.
- Ne pas effectuer de travaux hors de portée. Les pieds doivent rester bien ancrés au sol afin de maintenir son équilibre en tout temps.** Cela permet de mieux maîtriser l'outil électrique dans les situations imprévues.
- Porter des vêtements appropriés. Ne pas porter de vêtements amples ni de bijoux. Maintenir cheveux, vêtements et gants éloignés des pièces mobiles.** Vêtements amples, bijoux ou cheveux longs risquent de rester coincés dans ces pièces mobiles. Prendre des précautions autour des événements car ils recouvrent des pièces mobiles.
- Lorsque un dispositif de connexion à un système de dépoussiérage ou d'élimination est fourni, s'assurer qu'il est connecté et utilisé correctement.** L'utilisation de ces dispositifs peut réduire les risques engendrés par les poussières.

4) UTILISATION ET ENTRETIEN DES OUTILS ÉLECTRIQUES

- Ne pas forcer un outil électrique. Utiliser l'outil approprié au travail en cours.** L'outil approprié effectuera un meilleur travail, de façon plus sûre et à la vitesse pour laquelle il a été conçu.
- Ne pas utiliser un outil électrique dont l'interrupteur est défectueux.** Tout appareil dont l'interrupteur est défectueux est dangereux et doit être réparé.
- Débrancher la fiche du secteur et/ou le bloc-piles de l'outil électrique avant de faire tout réglage ou changement d'accessoire, ou avant de ranger ce dernier.** Ces mesures préventives réduisent les risques de démarrage accidentel de l'appareil.
- Après usage, ranger les outils électriques hors de la portée des enfants, et ne permettre à aucune personne n'étant pas familière avec un outil électrique (ou son manuel d'instruction) d'utiliser ce dernier.** Les outils peuvent être dangereux entre les mains des novices.
- Entretenir les outils électriques. Vérifier les pièces mobiles pour s'assurer qu'elles sont bien alignées et tournent librement, qu'elles sont en bon état et ne sont affectées d'aucune condition susceptible de nuire au bon fonctionnement de l'outil. En cas de dommage, faire réparer l'outil électrique avant toute nouvelle utilisation.** Bien des accidents sont causés par des outils mal entretenus.
- Maintenir tout outil de coupe bien aiguisé et propre.** Les outils de coupe bien entretenus et affûtés sont moins susceptibles de se coincer et sont plus faciles à contrôler.
- Utiliser un outil électrique, ses accessoires, mèches, etc., conformément aux présentes directives et suivant la manière prévue pour ce type particulier d'outil électrique, en tenant compte des conditions de travail et du travail à effectuer.** L'utilisation d'un outil électrique pour toute opération autre que celle pour laquelle il a été conçu est dangereuse.

5) SERVICE

- Faire entretenir les outils électriques par un réparateur qualifié en n'utilisant que des pièces de rechange identiques.** Cela permettra d'assurer l'intégrité de l'outil électrique et la sécurité de l'utilisateur.

Mesures de sécurité additionnelles

- Tenir l'outil par sa surface de prise isolée dans une situation où l'outil de coupe peut entrer en contact avec un câblage caché.** Tout contact avec un fil « sous tension » mettra « sous tension » les pièces métalliques de l'outil et causera un choc électrique à l'opérateur de l'outil.
 - Utiliser des brides de fixation ou un autre dispositif de fixation permettant de soutenir et de retenir la pièce sur une plate-forme stable.** Tenir la pièce avec la main ou contre son corps la rend instable et risque de provoquer une perte de maîtrise de l'outil.
 - Tenir les mains éloignées des pièces mobiles.** Ne jamais placer les mains à proximité de la zone de découpe.
 - Tenir les mains éloignées de la zone de découpe.** En cours de découpe, ne jamais passer les mains sous ou derrière le matériau qui est découpé pour quelque raison que ce soit.
 - Ne jamais tenir la pièce dans les mains, sur les genoux ou contre toute partie du corps en cours de découpe.** La scie pourrait glisser et la lame pourrait atteindre le corps et provoquer des blessures.
 - Être très prudent pour effectuer une coupe au-dessus de la tête et porter une attention accrue aux fils en hauteur pouvant être cachés.** Prévoir la direction de la chute des branches et de débris.
 - Ne pas faire fonctionner cet outil durant de longues périodes.** Les vibrations causées par le fonctionnement de cet outil peuvent provoquer des blessures permanentes aux doigts, aux mains et aux bras. Utiliser des gants pour amortir davantage les vibrations, prendre de fréquentes périodes de repos et limiter la durée d'utilisation.
- AVERTISSEMENT :** Porter un pare-main anti-bruit pendant l'utilisation. Dans certaines conditions et selon la durée d'utilisation, le bruit provoqué par ce produit peut contribuer à une perte auditive.
- AVERTISSEMENT :** Toujours porter une protection oculaire. Tous les utilisateurs et personnes à proximité doivent porter une protection oculaire conforme à la norme ANSI Z87.1.
- MISE EN GARDE :** Lorsque l'outil n'est pas utilisé, le placer sur le côté, sur une surface stable, de manière à ne faire trébucher ou tomber personne. Certains outils présentant un gros bloc-piles reposeront sur ce dernier, à la verticale, mais risque d'être facilement renversés.
- AVERTISSEMENT :** Certains outils, tels que les sableuses électriques, les scies, les meules, les perceuses ou certains autres outils de construction, peuvent soulever de la poussière contenant des produits chimiques susceptibles d'entraîner le cancer, des malformations congénitales ou pouvant être nocifs pour le système reproductif. Parmi ces produits chimiques, on retrouve :
- le plomb dans les peintures à base de plomb;
 - la silice cristalline dans les briques et le ciment et autres produits de maçonnerie;
 - l'arsenic et le chrome dans le bois de sciage ayant subi un traitement chimique (CCA).

Le risque associé à de telles expositions peut varier selon la fréquence avec laquelle on effectue ces travaux. Pour réduire l'exposition à de tels produits, il faut travailler dans un endroit bien ventilé et utiliser l'équipement de sécurité approprié tel un masque anti-poussières spécialement conçu pour filtrer les particules microscopiques.

- Éviter tout contact prolongé avec la poussière soulevée par cet outil ou autres outils électriques. Porter des vêtements de protection et nettoyer les parties exposées du corps avec de l'eau savonneuse.** S'assurer de bien se protéger afin d'éviter d'absorber par la bouche, les yeux ou la peau des produits chimiques nocifs.

AVERTISSEMENT : Cet outil peut produire et répandre de la poussière susceptible de causer des dommages sérieux et permanents au système respiratoire. Toujours utiliser un appareil respiratoire anti-poussières approuvé par le NIOSH ou l'OSHA. Diriger les particules dans le sens opposé du visage et du corps.

- L'étiquette apposée sur l'outil peut comprendre les symboles suivants. Voici les symboles et leurs définitions :

V.....volts	Aampères
H.....hertz	Wwatts
minminutes	~courant alternatif
====courant direct	no.....aucune option à vide
☐construction de classe II	⊕borne de terre
⚠symbole d'avertissement	.../mintours par minute

COMPOSANTS (fig. 1)

- | | |
|---|----------------------------------|
| A. Dé détente | F. Collet de fixation de la lame |
| B. Molette sélectrice de vitesse variable | G. Poignée |
| C. Levier de dégagement de la semelle | H. Poignée arrière |
| D. Semelle réglable | |
| E. Sélecteur de mouvement de la lame | |

DÉTENTE

La détente (A) pour vitesses variables vous offrira une versatilité accrue. Plus la détente est abaissée, plus la vitesse de la scie augmente. Pour éteindre l'outil, relâchez la détente.

REMARQUE : Cet outil n'est doté d'aucun dispositif permettant de verrouiller l'interrupteur à la position de MARCHÉ ; il ne doit donc jamais être verrouillé par quelque moyen que ce soit.

MISE EN GARDE : Utiliser la vitesse très lente uniquement pour amorcer la coupe. Une utilisation prolongée à cette vitesse endommagera la scie.

DÉTENTE ET MOLETTE SÉLECTRICE DE VITESSE VARIABLE

Les deux scies sont dotées d'une commande de vitesse variable (0 à 2 600 SPM). Au fur et à mesure que la détente est abaissée, la vitesse de la lame de la scie augmente.

Le modèle DW311 possède une molette sélectrice de vitesse variable (B) pour contrôler la vitesse de l'outil. Pour choisir une vitesse lente pour le fonctionnement de votre scie, tourner la molette à un chiffre inférieur figurant sur le cadran. Pour choisir une vitesse plus élevée, tourner la molette à un chiffre supérieur.

Les vitesses plus lentes sont recommandées pour la coupe de la plupart des métaux et les vitesses plus élevées, pour la coupe du bois. Quelques essais de coupe sur des déchets de découpe à différentes vitesses vous aideront à sélectionner la meilleure vitesse pour l'obtention du résultat recherché pour votre application.

Lame à deux mouvements (modèle DW311 seulement) (fig. 2)

Le modèle DW311 possède deux mouvements de lame. mouvement alternatif vertical et orbital. Le **mouvement alternatif vertical** s'utilise pour toutes les coupes sur métal et pour des applications sur bois où la finition est plus importante que la vitesse de coupe. Pour régler le mouvement alternatif vertical de la scie, tourner le sélecteur de mouvement de la lame (E) 45° dans le sens horaire pour aligner la marque (I) avec la flèche sur l'outil (J) tel qu'illustré.

Le **mouvement orbital** s'utilise pour une coupe rapide du bois. Pour régler le mouvement orbital de la scie, tourner le sélecteur de mouvement de la lame 45° dans le sens antihoraire pour aligner la marque (K) avec la flèche sur l'outil (J) tel qu'illustré.

Semelle Réglable (Fig. 3)

▲MISE EN GARDE : Arrêter et débrancher l'outil avant d'effectuer un réglage ou de retirer ou d'installer une pièce ou un accessoire.

Abaissér le levier de dégagement de la semelle (C) puis glisser la semelle (D) à l'endroit voulu. Tournez le levier pour bloquer la semelle en position.

▲MISE EN GARDE : Risque de coupure. Pour éviter une perte de maîtrise, ne jamais utiliser l'outil sans la semelle.

▲MISE EN GARDE : Risque de blessures et de dommages à la propriété. Assurez la semelle est verrouillé en l'place avant d'utiliser l'outil.

Pose et dépose de la lame (fig. 4 et 5)

Différentes longueurs de lame sont disponibles. Utiliser la lame adéquate pour l'application en cours. La lame doit être d'au moins 88,9 mm (3-1/2 po) de long et dépasser la semelle et l'épaisseur de la pièce au cours de la coupe. Sélectionner la meilleure lame pour le matériau à couper et utiliser la lame la plus courte possible adéquate pour l'épaisseur du matériau. Ne pas utiliser de lames pour scie sauteuse avec cet outil.

▲AVERTISSEMENT : Risque de coupure. Un bris de lame est possible si la lame ne dépasse pas la semelle et la pièce en cours de coupe (fig. 4). Un bris de lame représente un risque accru de blessures personnelles ainsi que de dommages à la semelle et à la pièce.

▲AVERTISSEMENT : Risque de coupure. Arrêter et débrancher l'outil avant d'effectuer un réglage ou de retirer ou d'installer une pièce ou un accessoire.

POUR INSÉRER UNE LAME DANS LA SCIE (FIG. 5)

- Pointer l'outil loin du corps.
- Tourner le collet de fixation de la lame (F) pour la dégager.
- Insérer la queue de la lame par l'avant.
- Tourner le collet de fixation de la lame pour la bloquer en position.

REMARQUE : La lame s'insère aussi en position inverse pour aider à couper bien ras, consulter la figure 7.

POUR DÉPOSER LA LAME DE LA SCIE

▲AVERTISSEMENT : Risque de brûlure. Ne pas toucher à la lame immédiatement après usage. Un contact avec la lame risque de provoquer une blessure corporelle.

- Tourner le collet de fixation de la lame (F) pour la dégager.
- Déposer la lame.

Fonctionnement

▲AVERTISSEMENT : Toujours porter une protection oculaire durant l'utilisation de cet outil électrique ou tout autre outil électrique.

▲AVERTISSEMENT : Risque de brûlure. Ne pas toucher à la lame immédiatement après usage. Un contact avec la lame risque de provoquer une blessure corporelle.

Avant de débiter la coupe, s'assurer que le matériau est bien rigide. Toutes les petites pièces qui seront coupées doivent être solidement fixées à la table de travail.

POSITIONNEMENT ADÉQUAT DES MAINS

Saisir la partie inférieure de la poignée (G) avec une main et la poignée arrière (H) avec l'autre main.

Coupe (fig. 6)

▲AVERTISSEMENT : Toujours porter une protection oculaire durant l'utilisation de cet outil électrique.

▲AVERTISSEMENT : Risque de coupure. Être extrêmement prudent lors de coupe en direction de l'opérateur. Toujours tenir fermement l'outil avec les deux mains en cours de coupe.

Avant de couper tout matériau, s'assurer que ce dernier est bien ancré ou serré dans un étau pour éviter tout glissement. Appuyer légèrement la lame contre la pièce à couper puis appuyer sur la détente et attendre pour atteindre la vitesse maximale avant d'exercer une pression. Autant que possible, la semelle de la scie doit être solidement appuyée contre le matériau à couper. Cela évite tout écart ou vibration de la scie et réduira le bris de lame. Toute coupe qui exerce une pression sur la lame, telle une coupe en angle ou défilante, augmente la possibilité de vibration, d'effet de rebond et de bris de lame.

REMARQUE : La lame coupe au cours du mouvement descendant de celle-ci. Le bord inférieur du matériau sera le plus propre.

▲AVERTISSEMENT : Risque de choc électrique. Être très prudent pour effectuer une coupe au-dessus de la tête et porter une attention accrue aux fils en hauteur pouvant être cachés.

▲AVERTISSEMENT : Être très prudent pour une coupe au dessus de la tête et prévoir la direction de la chute des branches et des débris.

▲AVERTISSEMENT : Inspecter la zone de travail pour tout tuyau à gaz, conduites d'eau ou fils électriques cachés avant d'effectuer des coupes sans visibilité ou en plongée. Négliger de suivre ces directives pourrait provoquer une explosion, un choc électrique ou de graves blessures corporelles.

COUPER À RAS (FIG. 7)

Le modèle compact du boîtier du moteur et du boîtier de la broche de la scie permet une coupe à ras aux planchers, dans les coins et dans tous les autres endroits difficiles d'accès. La lame s'insère aussi en position inverse pour aider à couper bien ras.

DÉCOUPE EN POCHE/PLONGÉE – BOIS SEULEMENT (FIG. 8)

▲AVERTISSEMENT : Risque de choc électrique. Être extrêmement prudent lors de découpe sans visibilité pour éviter la présence d'objets tels que des fils électriques, conduits, tuyauterie, etc. qui pourraient entrer en contact avec la lame.

REMARQUE : NE PAS essayer d'effectuer de découpe en poche ou en plongée sur du métal.

Lors d'une coupe en poche ou en plongée, mesurer d'abord la surface à couper puis la marquer clairement à l'aide d'un crayon, d'une craie ou d'une pointe à tracer. Utiliser la lame adéquate pour l'application en cours. La lame doit être d'au moins 88,9 mm (3-1/2 po) de long et dépasser la semelle et l'épaisseur de la pièce au cours de la coupe. Insérer la lame dans la bride.

Par la suite, incliner la scie vers l'arrière de manière à ce que le bord arrière de la semelle repose contre la surface de la pièce et que la surface soit dégagée de la lame. Enfoncer la détente pour mettre le moteur en marche. Laisser la lame atteindre sa vitesse maximale. Saisir la scie de manière constante et imprimer un mouvement ascendant lent. La lame pénétrera dans le matériau. S'assurer que la lame a bien transpercé tout le matériau avant de continuer la coupe en poche ou en plongée.

REMARQUE : Dans les endroits où la visibilité de la lame est limitée, utiliser le bord de la semelle de la scie comme guide. Les raies, pour toute coupe, doivent s'étendre au-delà du bord de la pièce à couper.

COUPE DU MÉTAL (FIG. 9)

Cet appareil dispose de capacités de coupe différentes pour le métal selon le type de lame utilisé et le métal à couper. Utiliser une lame plus fine pour les métaux ferreux et une lame pour grossière pour les matériaux non ferreux. Pour la tôle de fin calibre, il est préférable de serrer un morceau de bois de chaque côté de la tôle. Cela permet d'assurer une coupe nette sans vibration excessive ou déchirure de la tôle. Toujours se souvenir de ne pas forcer la lame de

coupe, car cela réduit sa durée de vie et provoque des bris de lame coûteux. Débiter la coupe sur la surface où le plus grand nombre de dents seront en contact avec la pièce.

REMARQUE : Il est généralement recommandé d'étendre un mince film d'huile ou de tout autre lubrifiant le long de la ligne devant le trait de scie pour faciliter le fonctionnement de l'outil et accroître la durée de vie de la lame lors de la coupe du métal.

ENTRETIEN

Nettoyage

▲AVERTISSEMENT : Toujours porter une protection oculaire durant l'utilisation de cet outil électrique.

Dégager régulièrement tous les conduits d'air avec de l'air comprimé sec. Toutes les pièces en plastique doivent être nettoyées à l'aide d'un chiffon doux humide. Ne jamais utiliser de solvants pour nettoyer les pièces en plastique. Les solvants peuvent dissoudre ou endommager le matériel.

Si le remplacement du cordon d'alimentation est nécessaire, cet outil devrait être apporté à un centre de réparation en usine DeWALT, un centre de réparation agréé DeWALT ou tout autre centre de réparation professionnel pour éviter tout risque d'accident. Pour trouver un centre de réparation agréé, veuillez contacter DeWALT Industrial Tool Co., 701 East Joppa Road, Baltimore, MD 21286, États-Unis, composer le 1(800) 4-DeWALT (1-800-433-9258) ou visiter notre site Web à www.dewalt.com.

Lubrification

Cet outil a été lubrifié avec une quantité suffisante de lubrifiant de haute qualité pour la durée de vie de celui-ci sous des conditions normales de travail. Aucune lubrification supplémentaire n'est nécessaire.

Inspection de la brosse

Pour votre propre sécurité et une bonne protection électrique, l'inspection et le remplacement de la brosse de cet outil doivent être exécutés uniquement à un centre de réparation en usine DeWALT, un centre de réparation agréé DeWALT ou tout autre centre de réparation professionnel.

Après 100 heures environ d'utilisation, apporter ou envoyer votre outil au centre de réparation agréé le plus proche pour un nettoyage et une inspection approfondis. Faire remplacer les pièces usées et lubrifier avec un lubrifiant neuf. Faire installer de nouvelles brosses et tester le rendement de l'outil.

Toute perte de puissance avant ce point d'entretien pourrait indiquer la nécessité d'un entretien immédiat de l'outil. NE PAS FAIRE FONCTIONNER L'OUTIL DANS CET ÉTAT. Si le problème persiste en présence d'une tension normale, retourner l'outil pour un entretien immédiat.

Accessoires

▲AVERTISSEMENT : Toujours porter une protection oculaire durant l'utilisation de cet outil électrique.

▲AVERTISSEMENT : L'utilisation de tout autre accessoire non recommandé avec cet outil pourrait être dangereux.

Les accessoires recommandés pour cet outil sont vendus séparément chez les dépositaires locaux ou dans les centres de service autorisés. Pour obtenir plus d'information sur les accessoires, communiquer avec DeWALT Industrial Tool Co., 701 East Joppa Road, Baltimore, MD 21286, aux États-Unis; composer le 1 (800) 4-DeWALT (1-800-433-9258) ou visiter notre site Web www.dewalt.com.

Réparations

Pour assurer la SÉCURITÉ et la FIABILITÉ du produit, les réparations, l'entretien et les réglages doivent être réalisés par un centre de réparation en usine DeWALT, un centre de réparation autorisé DeWALT ou par un personnel de réparation professionnel. Toujours utiliser des pièces de rechange identiques.

Garantie limitée de trois ans

DeWALT réparera, sans frais, tout produit défectueux causé par un défaut de matériel ou de fabrication pour une période de trois ans à compter de la date d'achat. La présente garantie ne couvre pas les pièces dont la défectuosité a été causée par une usure normale ou l'usage abusif de l'outil. Pour obtenir de plus amples renseignements sur les pièces ou les réparations couvertes par la présente garantie, visiter le site www.dewalt.com ou composer le 1 800 433-9258 (1 800 4-DeWALT). Cette garantie ne s'applique pas aux accessoires et ne vise pas les dommages causés par des réparations effectuées par un tiers. Cette garantie confère des droits légaux particuliers à l'acheteur, mais celui-ci pourrait aussi bénéficier d'autres droits variant d'un état ou d'une province à l'autre.

En plus de la présente garantie, les outils DeWALT sont couverts par notre :

CONTRAT D'ENTRETIEN GRATUIT D'UN AN

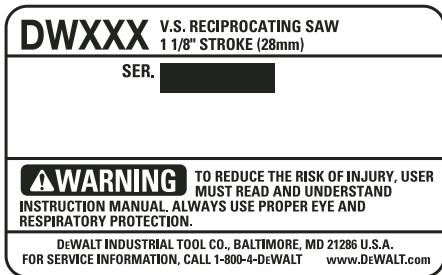
DeWALT entretiendra l'outil et remplacera les pièces usées au cours d'une utilisation normale et ce, gratuitement, pendant une période d'un an à compter de la date d'achat, et la

GARANTIE DE REMBOURSEMENT DE 90 JOURS

Si l'acheteur n'est pas entièrement satisfait, pour quelque raison que ce soit, du rendement de l'outil électrique, du laser ou de la cloueuse DeWALT, celui-ci peut le retourner, accompagné d'un reçu, dans les 90 jours à compter de la date d'achat, pour obtenir un remboursement intégral, sans aucun problème.

AMÉRIQUE LATINE: Cette garantie ne s'applique aux produits vendus en Amérique latine. Pour ceux-ci, veuillez consulter les informations relatives à la garantie spécifique présente dans l'emballage, appeler l'entreprise locale ou consulter le site Web pour les informations relatives à cette garantie.

REMPLACEMENT GRATUIT DES ÉTIQUETTES D'AVERTISSEMENT : Si les étiquettes d'avertissement deviennent illisibles ou sont perdues, composer le 1 800 4-DeWALT pour en obtenir le remplacement gratuit.



▲ ¡ADVERTENCIA! Para reducir el riesgo de lesiones, el usuario debe leer el manual de instrucciones.

Reglas de seguridad generales

▲ ¡ADVERTENCIA! Lea todas las instrucciones. El incumplimiento con alguna de las instrucciones enumeradas más abajo puede resultar en descarga eléctrica, incendio y/o lesiones corporales serias. El uso del término “máquina herramienta” en las advertencias que se encuentran a continuación, se refiere a su máquina herramienta ya sea operada por la red de suministro (con cable de alimentación) o a batería (inalámbrica).

GUARDE ESTAS INSTRUCCIONES

1) SEGURIDAD EN EL ÁREA DE TRABAJO

a) Mantenga su área de trabajo limpia y bien iluminada. Los accidentes abundan en las áreas de trabajo desordenadas u oscuras.

b) No opere máquinas herramienta en ambientes explosivos, tales como en presencia de líquidos, gases o polvos inflamables. Las máquinas herramienta generan chispas que pueden inflamar el polvo o los gases.

c) No use máquinas herramienta en presencia de niños u otras personas circunstantes. Las distracciones pueden hacerle perder el control.

2) SEGURIDAD ELÉCTRICA

- Los enchufes de las máquinas herramienta deben poder acoplarse a la toma de corriente. Jamás modifique el enchufe de ninguna manera. No emplee adaptadores de enchufe con máquinas herramienta conectadas a tierra.** Los enchufes no modificados y las tomas de corriente que correspondan al enchufe reducirán el riesgo de descarga eléctrica.
- Evite el contacto corporal con superficies conectadas a tierra, tales como tuberías, radiadores, cocinas y refrigeradores.** Existe un mayor riesgo de descarga eléctrica cuando su cuerpo está conectado a tierra.
- No exponga máquinas herramienta a condiciones lluviosas o húmedas.** Si entra agua a la máquina herramienta, aumentará el riesgo de descarga eléctrica.
- No abuse del cable. Jamás transporte, arrastre o desenchufe la máquina herramienta por el cable. Mantenga el cable alejado de fuentes de calor, aceite, bordes afilados o piezas en movimiento.** Los cables dañados o enredados aumentan el riesgo de descarga eléctrica. Cambie o repare aquellos cables que estén dañados. Verifique que su alargador esté en buenas condiciones. Utilice sólo alargadores de 3 hilos con enchufes de 3 patas, con conexión a tierra y tomas de corriente de 3 polos que acepten el enchufe de la herramienta.
- Cuando opere una máquina herramienta a la intemperie, use un alargador diseñado para uso a la intemperie.** El uso de un alargador diseñado para uso a la intemperie reduce el riesgo de descarga eléctrica. Cuando use un alargador, asegúrese de usar uno de un calibre suficiente como para cargar con la corriente que requerirá su producto. Un alargador de menor calibre causará una caída en el voltaje de la línea lo que resultará en pérdida de potencia y sobrecalentamiento. El siguiente cuadro muestra el tamaño correcto a utilizar, dependiendo del largo del cable y el amperaje nominal. En caso de duda, utilice el de mayor calibre. Mientras menor el número del calibre, mayor la capacidad del cable.

Calibre mínimo para cordones de extensión				
Volts	Longitud total del cordón en metros			
120V	0-7,6	7,6-15,2	15,2-30,4	30,4-45,7
240V	0-15,2	15,2-30,4	30,4-60,9	60,9-91,4
Amperaje	Calibre del cordón AWG			
Más de	No más de			
0	- 6	18	16	16
6	- 10	18	16	14
10	- 12	16	16	14
12	- 16	14	12	No recomendado

3) SEGURIDAD PERSONAL

- Manténgase alerta, fíjese en lo que está haciendo y utilice su sentido común cuando opere una máquina herramienta. No utilice una máquina herramienta si está cansado o bajo la influencia de drogas, alcohol o medicamentos.** Sólo hace falta un momento de distracción durante la operación de máquinas herramienta para causar lesiones corporales serias.
- Use equipo de seguridad. Utilice siempre protección ocular.** El uso de un equipo de seguridad apropiado a las condiciones de trabajo, tal como máscaras antipolvo, calzado de seguridad anti-derrapante, cascos o protección auditiva, reducirá la posibilidad de sufrir lesiones corporales.
- Evite encender la máquina herramienta en forma accidental. Verifique que el conmutador esté apagado antes de enchufar la máquina herramienta.** El sujetar una máquina herramienta con el dedo en el conmutador o enchufar máquinas herramienta con el conmutador encendido se presta para que ocurran accidentes.
- Retire toda llave de ajuste antes de encender la máquina herramienta.** Si se deja alguna llave en una pieza giratoria de la máquina herramienta, podría provocar lesiones.
- No se sobreexienda. Manténgase siempre bien apoyado y equilibrado.** Esto permite tener un mayor control de la máquina herramienta en situaciones inesperadas.
- Vístase debidamente. No se ponga ropa suelta o joyas. Mantenga su pelo, ropa y guantes alejados de piezas móviles.** La ropa suelta, las joyas y el pelo largo pueden quedar atrapados en las piezas móviles. Los orificios de ventilación suelen cubrir piezas en movimiento, por lo que también se deben evitar.
- Si la máquina herramienta viene con algún dispositivo de conexión para la extracción y colección de polvo, asegúrese que este sea debidamente conectado y utilizado.** El uso de estos dispositivos puede reducir los peligros relacionados a la generación de polvo.

4) USO Y CUIDADO DE LA MÁQUINA HERRAMIENTA

- No fuerce la máquina herramienta. Use la máquina herramienta correcta para su aplicación.** La máquina herramienta apropiada hará un trabajo mejor y más seguro si se usa de la forma para la cual fue diseñada.
- No use la máquina herramienta si el conmutador no puede encenderla y apagarla.** Cualquier máquina herramienta que no pueda ser controlada con el conmutador es peligrosa y debe ser reparada.
- Desenchufe la máquina herramienta de la toma de corriente y/o de la unidad de alimentación antes de ajustarla, cambiar de accesorio o guardarla.** Estas medidas de seguridad preventiva reducen el riesgo de poner en marcha la máquina herramienta accidentalmente.
- Guarde su máquina herramienta fuera del alcance de niños cuando no la esté usando y no permita que personas que no estén familiarizadas con la máquina herramienta o estas instrucciones la usen.** Las máquinas herramienta son peligrosas en manos de personas no capacitadas.
- Mantenga su máquina herramienta. Revise la máquina herramienta para verificar que no esté mal alineada, que sus piezas móviles no estén trabadas o rotas y que no exista otra condición que pudiera afectar su operación. Si está dañada, haga reparar la máquina herramienta antes de utilizarla.** Muchos accidentes son causados por usar máquinas herramienta que no han sido bien mantenidas.
- Mantenga máquinas herramienta que son usadas para cortar afiladas y limpias.** Las máquinas herramienta de corte debidamente mantenidas y afiladas tienen menos probabilidades de trabarse y son más fáciles de controlar.
- Use la máquina herramienta, sus accesorios, etc., en cumplimiento con estas instrucciones y en la manera para la cual la máquina herramienta fue diseñada, tomando en cuenta las condiciones de trabajo y el trabajo a realizar.** El uso de una máquina herramienta para operaciones fuera de aquellas para las que fue diseñada podría resultar en una situación peligrosa.

5) SERVICIO

- Haga reparar su máquina herramienta por un técnico de reparación calificado, utilizando sólo repuestos originales.** Esto garantizará la seguridad de la máquina herramienta.

Normas específicas de seguridad adicionales

- Sostenga la herramienta por las superficies de agarre aisladas cuando realice una operación en la que la herramienta de corte pueda tocar cables eléctricos escondidos.** El contacto con un cable con corriente eléctrica hará que las partes expuestas de la herramienta tengan corriente y que el operador reciba una descarga eléctrica.
- Utilice abrazaderas u otra forma práctica para asegurar y sostener la pieza de trabajo sobre una plataforma estable.** Sostener el trabajo con la mano o contra el cuerpo no brinda la estabilidad requerida y puede llevar a la pérdida del control.
- Mantenga las manos lejos de las piezas en movimiento.** Nunca coloque las manos cerca del área de corte.
- Mantenga las manos lejos de las zonas de corte.** Al aserrar, nunca se estire por debajo ni detrás del material que está cortando por ningún motivo.
- Al aserrar, nunca sostenga el trabajo en la mano, en el regazo ni contra partes del cuerpo.** La sierra puede deslizarse y la hoja puede entrar en contacto con el cuerpo, lo que ocasionaría lesiones personales.
- Tenga especial cuidado al cortar en lugares altos y preste mucha atención a los cables altos que puedan estar ocultos.** Prevea el trayecto de la caída de las ramas y los desechos con anticipación.

- No haga funcionar esta herramienta durante períodos prolongados.** La vibración que produce el funcionamiento de esta herramienta puede provocar lesiones permanentes en dedos, manos y brazos. Use guantes para proveer amortiguación adicional, tome descansos frecuentes y limite el tiempo diario de uso.

ADVERTENCIA: Utilice la protección auditiva apropiada mientras usa la herramienta. En determinadas condiciones y según el período de uso, el ruido provocado por este producto puede originar pérdida de audición.

ADVERTENCIA: Siempre utilice protección para los ojos. Todos los usuarios y espectadores deben utilizar protección para los ojos conforme con las normas ANSI Z87.1.

PRECAUCIÓN: Cuando no se utilice, coloque la herramienta de costado en una superficie estable en la que no provocará tropezones ni caídas. Algunas herramientas con paquetes de baterías grandes permanecerán en forma vertical, pero pueden ser derribadas fácilmente.

ADVERTENCIA: Parte del polvo creado al lijar, aserruchar, moler o perforar con máquina, así como al realizar otras actividades de la construcción, contiene sustancias químicas que se sabe producen cáncer, defectos congénitos u otras afecciones reproductivas. Algunos ejemplos de esas sustancias químicas son:

- plomo de pinturas a base de plomo,
- sílice cristalizado de ladrillos y cemento y otros productos de albañilería, y
- arsénico y cromo de la madera químicamente tratada (CCA).

El riesgo al contacto con estas sustancias varía, según la frecuencia en que se haga este tipo de trabajo. Para reducir la exposición a esas sustancias químicas: trabaje en un área bien ventilada, y trabaje con equipos de seguridad aprobados, tales como máscaras contra el polvo especialmente diseñadas para filtrar las partículas microscópicas.

- Evite el contacto prolongado con polvos originados por lijar, aserrar, esmerilar, taladrar y otras actividades constructivas. Vista ropas protectoras y lave las áreas expuestas con agua y jabón.** Permitir que el polvo se introduzca en su boca, ojos, o dejarlo sobre la piel promueve la absorción de químicos dañinos.

ADVERTENCIA: Toda persona que entre al área de trabajo deberá usar una máscara antipolvo o protección respiratoria. El filtro debería ser reemplazado a diario o cuando el usuario tenga dificultad para respirar. Puede encontrar la máscara antipolvo apropiada aprobada por NIOSH/OSHA en su ferretería local.

- La etiqueta de la herramienta puede incluir los símbolos siguientes. A continuación se indican los símbolos y sus definiciones:

V.....voltios	Aamperes
Hz.....hertzios	Wvatios
minminutos	~corriente alterna
====corriente directa	n _ovelocidad sin carga
▣construcción de Clase II	⊕terminal a tierra
▲símbolo de advertencia	.../min.....revoluciones por minuto

COMPONENTES (Fig. 1)

- | | |
|--|---------------------------------------|
| A. Interruptor disparador | F. Anillo de la abrazadera de la hoja |
| B. Rueda selectora de velocidad variable | G. Mango de mano |
| C. Palanca de liberación de la zapata | H. Mango trasero |
| D. Zapata ajustable | |
| E. Selector de acción de la hoja | |

INTERRUPTOR DISPARADOR

El interruptor disparador de velocidad variable (A) le brindará más versatilidad. Cuanto más oprima el disparador, mayor será la velocidad de la sierra. Para apagar la herramienta, suelte el disparador.

NOTA: Esta herramienta no permite bloquear el interruptor en la posición de ENCENDIDO y nunca debe bloquearse en esta posición de ninguna otra forma.

PRECAUCIÓN: Se recomienda utilizar muy baja velocidad solamente para comenzar a realizar un corte. El uso prolongado a muy baja velocidad puede dañar la sierra.

INTERRUPTOR DE VELOCIDAD VARIABLE Y RUEDA SELECTORA

Ambas sierras vienen con un control de velocidad variable (0 a 2600 SPM). Cuando se oprime el interruptor disparador, la velocidad de la hoja de la sierra incrementa.

La DW311 posee una rueda selectora de velocidad variable (B) para controlar la velocidad de la herramienta. Para seleccionar una velocidad baja de operación de la sierra, gire la rueda a un número bajo en el dial. Para seleccionar una velocidad más alta, gire la rueda a un número más alto.

Se recomienda usar las velocidades más bajas para la mayoría de los cortes en metal, mientras que para cortes en madera se recomiendan las velocidades más altas. Algunos cortes de práctica en material de desecho a distintas velocidades lo ayudarán a elegir la mejor velocidad para lograr los resultados deseados para la aplicación.

Doble movimiento de la hoja (DW311 solamente) (Fig. 2)

La DW311 posee un doble movimiento de la hoja: movimiento alternativo recto o movimiento orbital.

El **movimiento alternativo recto** se utiliza para todas las operaciones de corte de metal y para las aplicaciones de corte en madera en las que el acabado es más importante que la velocidad. Para configurar la sierra para el movimiento alternativo recto, gire el selector de acción de la hoja (E) 45° en el sentido de las agujas del reloj para alinear la marca (I) con la flecha en la herramienta (J), como se muestra.

El **movimiento orbital** se utiliza para realizar cortes rápidos en madera. Si desea configurar la sierra para el movimiento orbital, gire el selector de acción de la hoja 45° en el sentido contrario a las agujas del reloj para alinear la marca (K) con la flecha en la herramienta (J), como se muestra.

Zapata Ajustable (Fig. 3)

PRECAUCIÓN: Apague y desenchufe la herramienta antes de realizar cualquier tipo de ajuste o quitar o instalar suplementos o accesorios.

Oprima la palanca de liberación de la zapata (C) hacia abajo y deslice la zapata (D) hasta la configuración deseada. Gire la palanca para bloquear la zapata en su posición.

PRECAUCIÓN: Peligro de corte. Para evitar la pérdida del control, nunca utilice la herramienta sin la zapata.

PRECAUCIÓN: Riesgo de lesiones o daños a la propiedad. Asegure la zapata es bloqueado en la posición antes de usar la herramienta.

Instalación y retiro de la hoja (Fig. 4, 5)

Están disponibles hojas de diferentes longitudes. Utilice la hoja adecuada para la aplicación. La hoja debe tener al menos 88,9 mm (3-1/2") de largo y debe extenderse más allá de la zapata y el espesor de la pieza de trabajo durante el corte. Seleccione la hoja más adecuada para el material que desee cortar y utilice la hoja más corta apropiada para el espesor del material. No utilice hojas de sierra caladora con esta herramienta.

ADVERTENCIA: Peligro de corte. La hoja puede romperse si ésta no se extiende más allá de la zapata y la pieza de trabajo durante el corte (Fig. 4). Es posible que haya más riesgos de lesiones personales además de daños en la zapata y en la pieza de trabajo.

ADVERTENCIA: Peligro de corte. Apague y desenchufe la herramienta antes de realizar cualquier tipo de ajuste, o quitar o instalar suplementos o accesorios.

PARA INSTALAR LA HOJA EN LA SIERRA (FIG. 5)

- Aleje la herramienta del cuerpo.
- Gire el anillo de la abrazadera de la hoja (F) a la posición de liberación.
- Inserte el vástago de la hoja desde el frente.
- Gire el anillo de la abrazadera de la hoja para bloquear la hoja en posición.

NOTA: La hoja puede instalarse al revés para ayudar a realizar cortes al ras, vea la Figura 7.

PARA RETIRAR LA HOJA DE LA SIERRA

ADVERTENCIA: Riesgo de quemaduras. No toque la hoja de inmediato después de usarla. El contacto con la hoja puede ocasionar lesiones personales.

- Gire el anillo de la abrazadera de la hoja (F) a la posición de liberación.
- Retire la hoja

Operación

⚠ADVERTENCIA: Siempre utilice protección para los ojos durante la operación de esta herramienta o cualquier otra herramienta eléctrica.

⚠ADVERTENCIA: Riesgo de quemaduras. No toque la hoja de inmediato después de usarla. El contacto con la hoja puede ocasionar lesiones personales.

Antes de comenzar a trabajar, asegúrese de que el material que desea cortar esté rígido. Las piezas de trabajo pequeñas deben fijarse en forma segura con la abrazadera a la mesa de trabajo.

POSICIÓN CORRECTA DE LAS MANOS

Sujete la parte inferior del mango de mano (G) con una mano y el mango trasero (H) con la otra.

Corte (Fig. 6)

⚠ADVERTENCIA: Siempre utilice protección para los ojos durante la operación de esta herramienta eléctrica.

⚠ADVERTENCIA: Peligro de corte. Tenga extrema precaución al realizar cortes hacia el operador. Siempre sujete la sierra con firmeza con ambas manos al cortar.

Antes de cortar cualquier tipo de material, asegúrese de que esté sujetado o fijado firmemente para evitar el deslizamiento. Coloque la hoja levemente contra el trabajo que desea cortar, oprima el interruptor disparador y permita que ésta alcance la máxima velocidad antes de aplicar presión. Siempre que sea posible, la zapata de la sierra debe sujetarse con firmeza contra el material que desea cortar. Esto evitará que la sierra salte o vibre, y minimiza daños a la hoja. Cualquier corte que aplique presión sobre la hoja, como cortes angulares o calados, incrementa la posible vibración, retroceso y rotura de la hoja.

NOTA: La hoja corta en la carrera hacia abajo, lo que se traduce en un borde más limpio en la parte inferior del material.

⚠ADVERTENCIA: Riesgo de descarga eléctrica. Tenga especial cuidado al cortar en lugares altos y preste mucha atención a los cables altos que pueden estar ocultos.

⚠ADVERTENCIA: Tenga mucha precaución al realizar cortes a una altura superior a la cabeza y prevea el trayecto de la caída de las ramas y los desechos con anticipación.

⚠ADVERTENCIA: Inspeccione el sitio de trabajo en busca de cañerías de gas, cañerías de agua o cables eléctricos ocultos antes de realizar cortes a ciegas o rebajados. Si no cumple con esta indicación, podrían producirse explosiones, daños en la propiedad, descargas eléctricas o lesiones personales graves.

CORTES AL RAS (FIG. 7)

El diseño compacto de la caja del motor de la sierra y la caja del eje permite cortes cerrados en pisos, esquinas y otras áreas difíciles. La hoja puede instalarse al revés para ayudar a realizar cortes al ras.

CORTES INTERNOS/REBAJADOS – MADERA SOLAMENTE (FIG. 8)

⚠ADVERTENCIA: Riesgo de descarga eléctrica. Tenga extremada precaución al realizar cortes a ciegas para asegurarse de que no existan objetos extraños como cables eléctricos, conductos, tuberías de plomería, etc. que puedan entrar en contacto con la hoja.

NOTA: NO INTENTE realizar cortes internos/rebajados en metal.

El paso inicial al realizar un corte interno/rebajado es medir el área de la superficie que desea cortar y marcar claramente con un lápiz, tiza o punzón. Utilice la hoja adecuada para la aplicación. La hoja debe tener al menos 88,9 mm (3 1/2") de largo y debe extenderse más allá de la zapata y el espesor de la pieza de trabajo durante el corte. Inserte la hoja en la abrazadera de la hoja.

A continuación, incline la sierra hacia atrás hasta que el borde inferior de la zapata esté sobre la superficie de trabajo y la hoja limpiará la superficie de trabajo. Oprima el interruptor disparador para arrancar el motor, permitiendo siempre que la hoja alcance su máxima velocidad. Sujete la sierra con firmeza y comience con un balanceo lento, intencional y hacia arriba con el mango de la sierra. La hoja comenzará a introducirse en el material. Siempre asegúrese de que la hoja atraviese completamente el material antes de continuar con el corte interno/rebajado.

NOTA: En áreas en donde la visibilidad de la hoja sea limitada, utilice el borde de la zapata de la sierra como guía. Las líneas para cualquier corte determinado deben extenderse más allá del borde del corte que desea realizar.

CORTES EN METAL (FIG. 9))

Esta unidad posee diferentes capacidades de corte de metal según el tipo de hoja utilizada y el metal que debe cortarse. Utilice una hoja más fina para metales ferrosos y una hoja gruesa para materiales no ferrosos. En piezas de metal de bajo calibre es mejor sujetar con madera ambos lados de la pieza. De esta forma garantizará un corte limpio sin exceso de vibración o rotura del metal. Siempre recuerde no forzar la hoja de corte, así reducirá la duración de la hoja y evitará daños costosos a la hoja. Comience el corte en la superficie donde la mayor cantidad de dientes entren en contacto con la pieza de trabajo.

NOTA: En general, se recomienda que, al realizar cortes en metal, distribuya una delgada película de aceite u otro lubricante a lo largo de la línea por delante del corte de la sierra para facilitar la operación y prolongar la duración de la hoja.

MANTENIMIENTO

Limpieza

⚠ADVERTENCIA: Siempre utilice protección para los ojos durante la operación de esta herramienta eléctrica.

Periódicamente sople por todas las entradas de aire con aire comprimido seco. Todas las piezas de plástico deben limpiarse con un paño suave y húmedo. Nunca utilice solventes para limpiar las piezas de plástico. Podrían derretirse o dañar el material.

Si necesita reemplazar el cable de alimentación, la herramienta debe llevarse a un centro de mantenimiento de fábrica de DeWALT, un centro de mantenimiento autorizado de DeWALT o a otro personal de mantenimiento calificado para evitar un riesgo de seguridad. Para ubicar un centro de mantenimiento autorizado, póngase en contacto con DeWALT Industrial Tool Co., 701 East Joppa Road, Baltimore, MD 21286, llame al 1-800-4-DeWALT (1-800-433-9258) o visite nuestro sitio web www.dewalt.com.

Lubricación

Esta herramienta ha sido aceiteada con una cantidad suficiente de lubricante de alto grado para la vida de esta unidad en condiciones normales. No se requiere lubricación adicional..

Inspección de los cepillos

Para mantener la seguridad y la protección eléctrica, la inspección de los cepillos y su reemplazo debe ser realizada únicamente por un centro de mantenimiento de fábrica de DeWALT, un centro de mantenimiento de DeWALT autorizado u otro personal de mantenimiento calificado.

A las 100 horas de uso aproximadamente, lleve o envíe la herramienta al centro de mantenimiento autorizado más cercano para una limpieza e inspección exhaustiva. Haga reemplazar las piezas desgastadas y lubrique con lubricante nuevo. Instale nuevos cepillos y pruebe el funcionamiento de la herramienta.

Cualquier pérdida de potencia antes de la comprobación del mantenimiento mencionado puede indicar la necesidad del mantenimiento inmediato de la herramienta. NO CONTINUE UTILIZANDO LA HERRAMIENTA EN ESTA CIRCUNSTANCIA. Si la herramienta presenta un voltaje de funcionamiento adecuado, devuélvala para un mantenimiento inmediato.

Accesorios

⚠ADVERTENCIA: Siempre utilice protección para los ojos durante la operación de esta herramienta eléctrica.

⚠ADVERTENCIA: Puede ser peligroso usar cualquier accesorio no recomendado.

Los accesorios que se recomiendan usar con su herramienta están disponibles a un costo adicional en su centro de servicio local. Si usted necesita ayuda para encontrar un accesorio para su herramienta, contacte a: DeWALT Industrial Tool Co., 701 East Joppa Road, Baltimore, MD 21286, llame al 1-800-4-DeWALT (1-800-433-9258) o visite nuestro sitio web www.dewalt.com.

Reparaciones

Para asegurar la SEGURIDAD y la CONFIABILIDAD del producto, las reparaciones, el mantenimiento y los ajustes deben ser realizados por un centro de servicio de fábrica DeWALT, un centro de servicio autorizado DeWALT u otro personal de mantenimiento calificado. Utilice siempre piezas de repuesto idénticas.

PARA REPARACIÓN Y SERVICIO DE SUS HERRAMIENTAS ELÉCTRICAS, FAVOR DE DIRIGIRSE AL CENTRO DE SERVICIO MÁS CERCANO

CULIACAN, SIN

Av. Nicolás Bravo #1063 Sur - Col. Industrial Bravo

(667) 7 12 42 11

GUADALAJARA, JAL

Av. La Paz #1779 - Col. Americana Sector Juárez

(33) 3825 6978

MEXICO, D.F.

Eje Central Lázaro Cárdenas No. 18

Local D, Col. Obrera

(55) 5588 9377

MERIDA, YUC

Calle 63 #459-A - Col. Centro

(999) 928 5038

MONTERREY, N.L.

Av. Francisco I. Madero No.831 - Col. Centro

(81) 8375 2313

PUEBLA, PUE

17 Norte #205 - Col. Centro

(222) 246 3714

QUERETARO, QRO

Av. Madero 139 Pte. - Col. Centro

(442) 214 1660

SAN LUIS POTOSI, SLP

Av. Universidad 1525 - Col. San Luis

(444) 814 2383

TORREON, COAH

Blvd. Independencia, 96 Pte. - Col. Centro

(871) 716 5265

VERACRUZ, VER

Prolongación Díaz Mirón #4280 - Col. Remes

(229) 921 7016

VILLAHERMOSA, TAB

Constitución 516-A - Col. Centro

(993) 312 5111

PARA OTRAS LOCALIDADES LLAME AL: (55) 5326 7100

Póliza de Garantía

IDENTIFICACIÓN DEL PRODUCTO:

Sello o firma del Distribuidor.

Nombre del producto: _____ Mod./Cat.: _____

Marca: _____ Núm. de serie: _____

(Datos para ser llenados por el distribuidor)

Fecha de compra y/o entrega del producto: _____

Nombre y domicilio del distribuidor donde se adquirió el producto: _____

Este producto está garantizado por un año a partir de la fecha de entrega, contra cualquier defecto en su funcionamiento, así como en materiales y mano de obra empleados para su fabricación. Nuestra garantía incluye la reparación o reposición del producto y/o componentes sin cargo alguno para el cliente, incluyendo mano de obra, así como los gastos de transportación razonablemente erogados derivados del cumplimiento de este certificado.

Para hacer efectiva esta garantía deberá presentar su herramienta y esta póliza sellada por el establecimiento comercial donde se adquirió el producto, de no contar con ésta, bastará la factura de compra.

EXCEPCIONES.

Esta garantía no será válida en los siguientes casos:

- Cuando el producto se hubiese utilizado en condiciones distintas a las normales;
- Cuando el producto no hubiese sido operado de acuerdo con el instructivo de uso que se acompaña;
- Cuando el producto hubiese sido alterado o reparado por personas distintas a las enlistadas al final de este certificado.

Anexo encontrará una relación de sucursales de servicio de fábrica, centros de servicio autorizados y franquiciados en la República Mexicana, donde podrá hacer efectiva su garantía y adquirir partes, refacciones y accesorios originales.

Garantía limitada por tres años

DeWALT reparará, sin cargo, cualquier falla que surja de defectos en el material o la fabricación del producto, por hasta tres años a contar de la fecha de compra. Esta garantía no cubre fallas de las piezas causadas por su desgaste normal o abuso a la herramienta. Para mayores detalles sobre la cobertura de la garantía e información acerca de reparaciones realizadas bajo garantía, visítenos en www.dewalt.com o diríjase al centro de servicio más cercano. Esta garantía no aplica a accesorios o a daños causados por reparaciones realizadas o intentadas por terceros. Esta garantía le otorga derechos legales específicos, además de los cuales puede tener otros dependiendo del estado o provincia en que se encuentre.

Además de la garantía, las herramientas DeWALT están cubiertas por:

1 AÑO DE SERVICIO GRATUITO

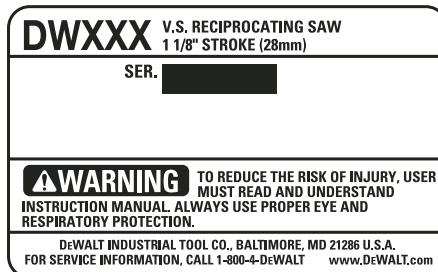
DeWALT mantendrá la herramienta y reemplazará las piezas gastadas por su uso normal, sin cobro, en cualquier momento durante un año a contar de la fecha de compra.

GARANTÍA DE REEMBOLSO DE SU DINERO POR 90 DÍAS

Si no está completamente satisfecho con el desempeño de su máquina herramienta, láser o clavadora DeWALT, cualquiera sea el motivo, podrá devolverlo hasta 90 días de la fecha de compra con su recibo y obtener el reembolso completo de su dinero – sin necesidad de responder a ninguna pregunta.

AMÉRICA LATINA: Esta garantía no se aplica a los productos que se venden en América Latina. Para los productos que se venden en América Latina, debe consultar la información de la garantía específica del país que viene en el empaque, llamar a la compañía local o visitar el sitio Web a fin de obtener esa información

FREE WARNING LABEL REPLACEMENT: If your warning labels become illegible or are missing, call 1-800-4-DeWALT for a free replacement.



ESPECIFICACIONES

Tensión de alimentación:	DW310 120 V CA~	DW311 120 V CA~
Consumo de corriente:	12 A	13 A
Frecuencia de operación:	50/60 Hz	50/60 Hz
Potencia nominal:	1325 W	1450 W
Rotación sin carga	0-2 700 spm	0-2 700 spm

IMPORTADO: DeWALT S.A. DE C.V.
BOSQUES DE CIDROS ACCESO RADIATAS NO. 42
COL. BOSQUES DE LAS LOMAS.
05120 MÉXICO, D.F.
TEL. 326-7100

Para servicio y ventas consulte
"HERRAMIENTAS ELÉCTRICAS"
en la sección amarilla.

