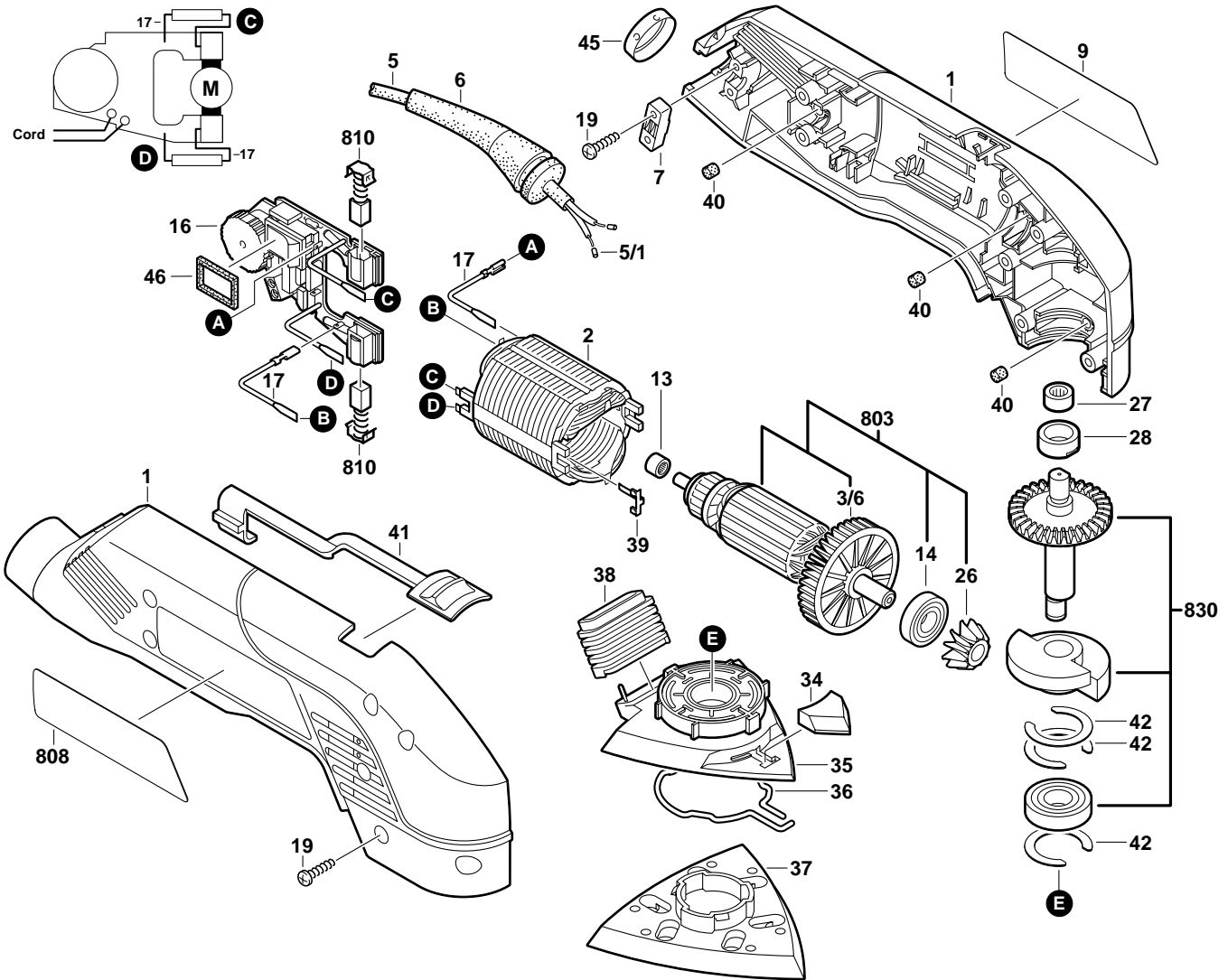


BOSCH

April 1999
INDUSTRIAL

DETAIL SANDER
Model 0601294739

1294VS



Pos.	Part Number	Description {Qty}	F/C	Pos.	Part Number	Description {Qty}	F/C
1	2 605 104 545	Housing Assembly	71	37	2 608 000 174	Backing Pad	88
2	2 604 220 577	Field 120V	22	38	2 600 712 006	Baffle	24
3/6	2 606 610 083	Fan	23	39	2 601 329 037	Spring	27
5	3 604 460 555	Cord 120V 18/2	11	40	2 603 100 056	Rubber Buffer {3}	9
5/1	1 900 452 012	Terminal Sleeve {2}	11	41	2 602 319 010	Switch Slide	15
6	2 600 703 018	Strain Relief	11	42	2 600 101 088	Shim {2}	65
7	2 601 035 001	Cord Clamp	89	* 42.1	2 600 101 089	Shim 0.3mm	65
9	2 601 118 941	Label "1294VS"	9	* 42.2	2 600 101 090	Shim 0.4mm	65
13	2 600 917 002	Needle Bearing	60	* 42.3	2 600 101 091	Shim 0.5mm	65
14	3 600 900 512	Ball Bearing	61	45	2 600 290 025	Housing Holding Ring	89
16	2 607 233 024	Switch & Brush Holder	25	46	2 601 015 075	Felt Pad	77
17	2 604 448 034	Cable 88mm {2}	10	+ 701	2 608 000 200	Extension Plate	94
19	2 603 435 036	Screw {9}	89	+ 702	2 608 000 198	Oval Extension Plate	94
26	2 606 333 033	Bevel Gear	33	+ 703	2 608 000 199	Narrow Extension Plate	94
27	1 600 910 018	Needle Bearing	56	803	2 604 010 939	Armature w/Fan 120V w/pos. 3/6, 14, 26	AW
28	2 600 390 026	Bearing Sleeve	82				
34	2 608 000 173	Release Button	80	808	2 601 119 175	Nameplate	9
35	2 601 098 044	Foot Plate	88	810	2 607 014 010	Brush Set	26
36	2 604 680 000	Retaining Spring	89	830	2 606 100 900	Pinion Gear Assembly	32

+ = Not Illustrated * = As Required F/C = Failure Code AW = Refer to AW Labor Time Chart