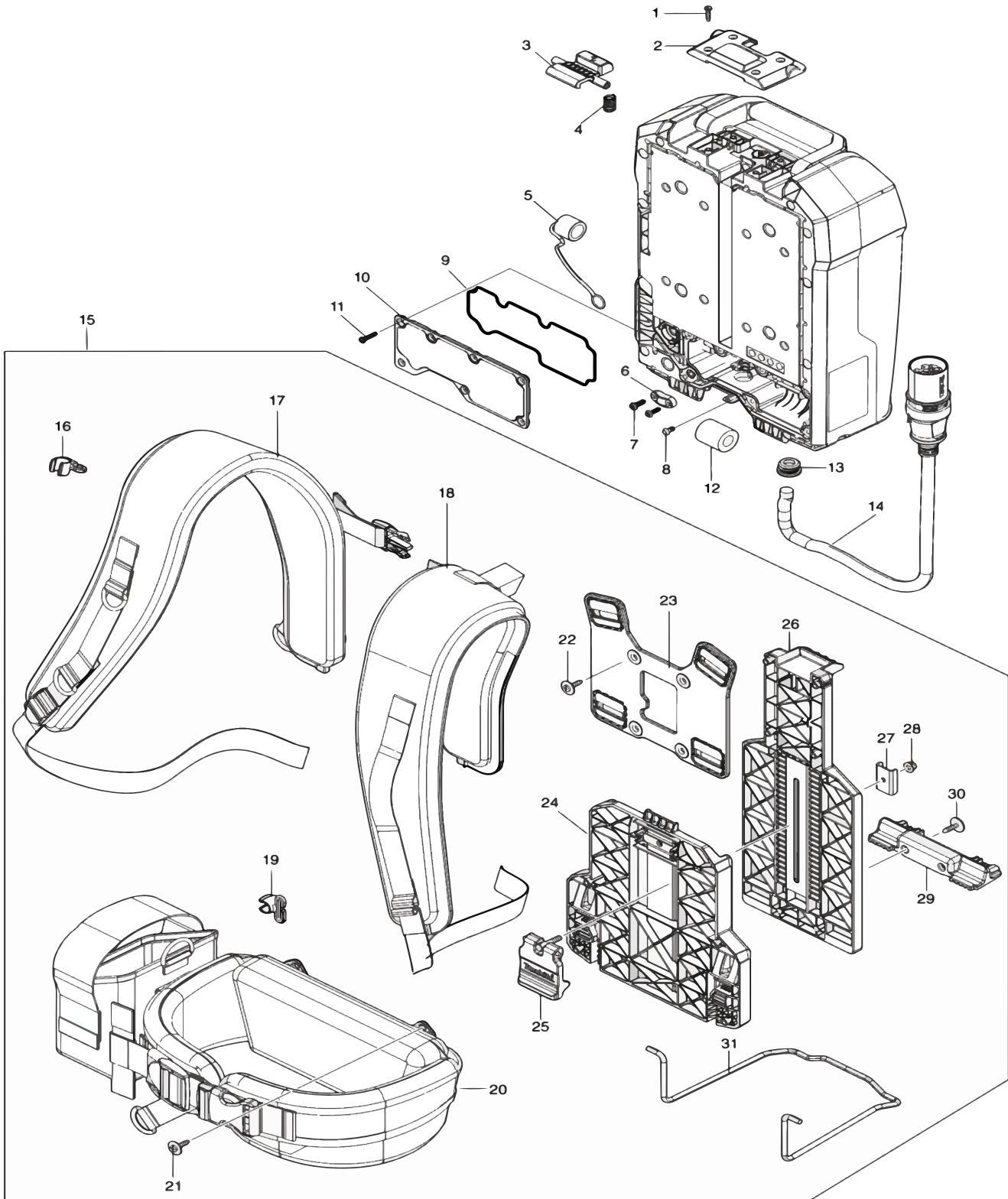




PDC1200



Products with multiple versions are listed in subsiding order with the newest version on top not indented.

Section	Fig. No.	Part No.	Description	PDC1200	Tech Bulletin	Notes
1	1	NC00000001	TAPPING SCREW 3X15	4		
1	2	NC00000002	CASE LEVER COVER	1		
1	3	NC00000003	CASE LOCK BUTTON	1		
1	4	NC00000004	COMPRESSION SPRING	1		
1	5	NC00000005	CHARGING CONNECTOR CAP	1		
1	6	NC00000006	CORD CLAMP	1		
1	7	NC00000011	TAPPING SCREW 4X14	2		
1	8	NC00000007	SCREW M4X8	5		
1	9	NC00000008	SEAL A	1		
1	10	NC00000009	CORD COVER	1		
1	11	NC00000001	TAPPING SCREW 3X15	7		
1	12	688233-3	LINE FILTER	1		
1	13	NC00000010	GROMMET	1		
1	14	699150-2	POWER SUPPLY CORD UNIT	1		
1	15	127668-8	HARNESS ASSEMBLY	1		INC. 16-31
1	16	412781-8	CORD HOLDER 11	2		
1	17	162848-9	BAND R COMPLETE	1		
1	18	162849-7	BAND L COMPLETE	1		
1	19	412781-8	CORD HOLDER 11	1		
1	20	162850-2	WAIST BELT	1		
1	21	252274-1	TAPPING SCREW 4X18 WITH W	4		
1	22	252274-1	TAPPING SCREW 4X18 WITH W	4		
1	23	412766-4	BACK PLATE	1		
1	24	412765-6	WAIST HARNESS PLATE	1		
1	25	140W51-0	LOCK LEVER COMPLETE	1		
1	26	140W29-3	HARNESS PLATE COMPLETE	1		
1	27	347740-2	PLATE	1		
1	28	252286-4	COLLARED HEX.LOCK NUT M5-8	1		
1	29	412767-2	BOTTOM HOLDER	1		
1	30	252274-1	TAPPING SCREW 4X18 WITH W	2		
1	31	327639-7	STAND	1		
1	A01	DC4001	CHARGER	1		
1	A02	191J51-5	ADAPTER SET	1		