



# SERVICE PARTS LIST

**BULLETIN NO.**  
**54-06-2731**

<b>SPECIFY CATALOG NO. AND SERIAL NO. WHEN ORDERING PARTS</b>		REVISED BULLETIN 54-06-2730	DATE Aug. 2013
<b>CORDLESS 12 VOLT LED WORKLIGHT</b>			
<b>CATALOG NO. 49-24-0146</b>	STARTING SERIAL NO.	<b>C11B</b>	
WIRING INSTRUCTION			

**EXAMPLE:**  
Component Parts (Small #) Are Included  
When Ordering The Assembly (Large #).

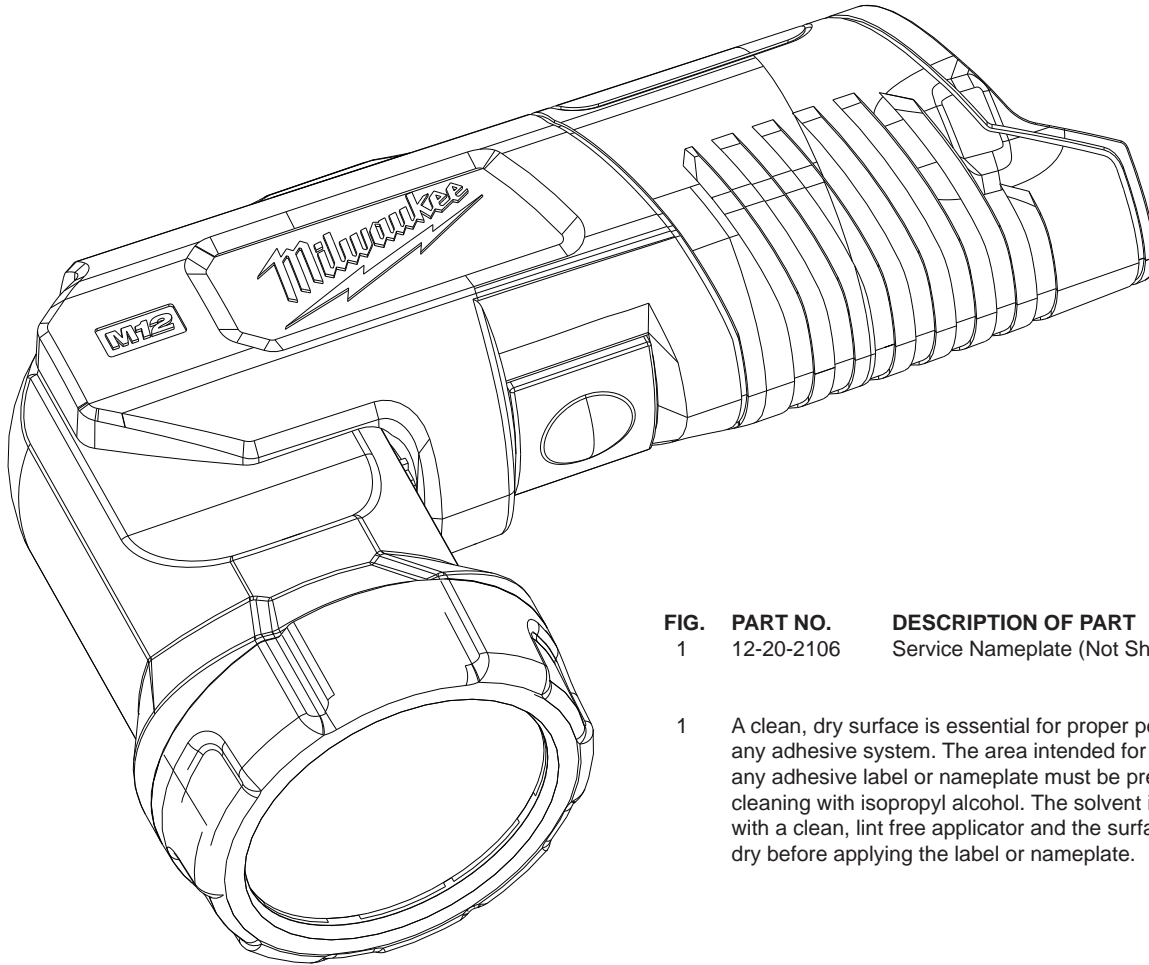


FIG.	PART NO.	DESCRIPTION OF PART	NO. REQ.
1	12-20-2106	Service Nameplate (Not Shown)	(1)
1	A clean, dry surface is essential for proper performance for any adhesive system. The area intended for application of any adhesive label or nameplate must be prepared by cleaning with isopropyl alcohol. The solvent is to be applied with a clean, lint free applicator and the surface allowed to dry before applying the label or nameplate.		