

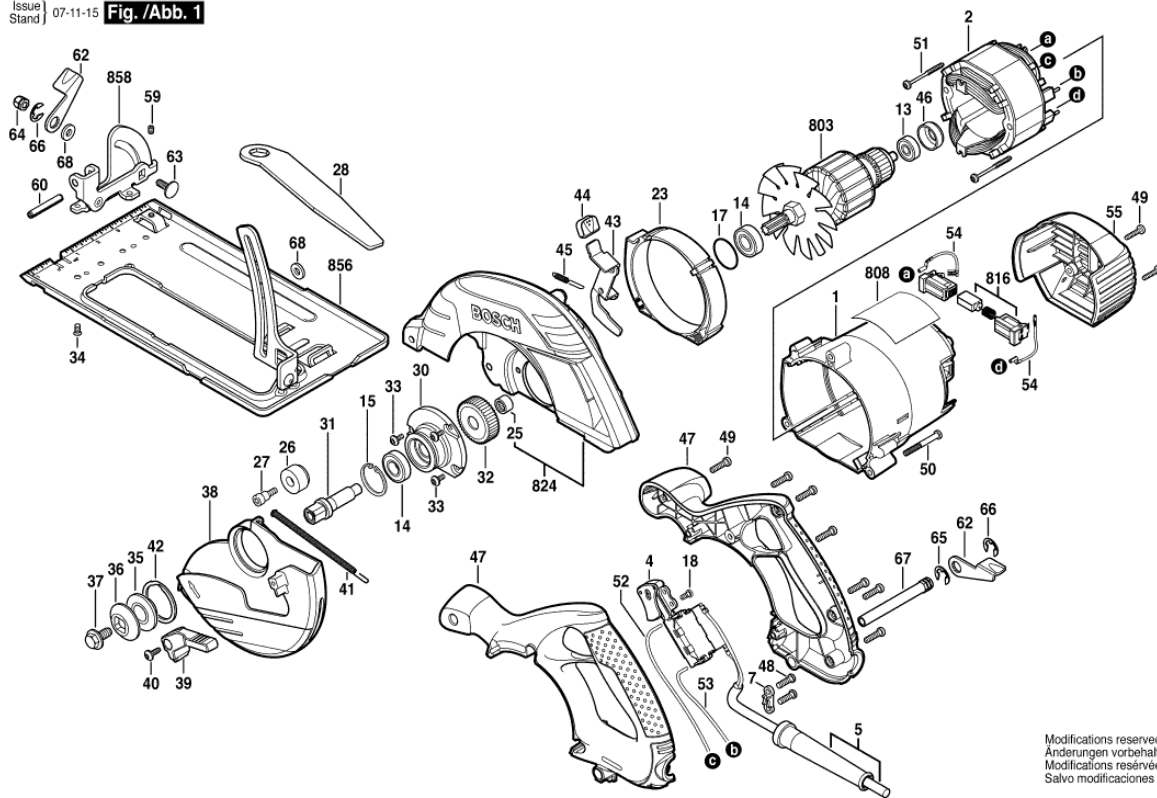
# CIRCULAR SAW

## 0 601 672 075 CS5

03.03.2008 23:00:00

0 601 672 075

Issue | 07-11-15 | Fig./Abb. 1



Modifications reserved  
Änderungen vorbehalten  
Modifications réservées  
Salvo modificaciones

Item	Quantity	Order No.	Designation	Price group	Page
1	1	1 619 P02 497	MOTOR HOUSING		1
2	1	2 610 938 680	FIELD / 120V		1
4	1	1 619 P02 736	ON-OFF SWITCH		1
5	1	2 610 941 123	POWER SUPPLY CORD		1
7	1	2 610 993 191	CABLE CLIP	11	1
13	1	2 610 017 348	DEEP-GROOVE BALL BEARING	23	1
14	2	2 610 350 311	DEEP-GROOVE BALL BEARING	24	1
15	1	1 619 P06 555	SPRING RETAINING RING	11	1
17	1	1 619 X01 017	O-RING		1
18	1	1 619 X00 938	SCREW		1
23	1	1 619 P02 499	BAFFLE		1
25	1	2 610 020 639	NEEDLE SLEEVE	16	1
26	1	1 619 P02 737	BUMPER		1
27	1	1 619 P02 738	SHOULDER SCREW		1
28	1	1 619 P02 494	ADJUSTING WRENCH		1
30	1	1 619 P02 502	BEARING PLATE		1
31	1	1 619 P02 501	SHAFT		1
32	1	2 610 938 546	GEAR		1
33	3	1 619 X01 786	CONTACT SCREW		1
34	4	1 619 P06 262	COUNTERSUNK-HEAD SCREW		1
35	1	2 610 919 164	INNER RING		1
36	1	1 619 X00 934	FLANGE	15	1
37	1	1 619 P02 503	HEXAGON BOLT		1
38	1	1 619 P02 504	PROTECTIVE GUARD		1
39	1	1 619 P02 505	LEVER		1
40	1	1 619 X00 939	SCREW	11	1
41	1	1 619 P02 379	EXTENSION SPRING		1

42	1	2 610 921 144	RETAINING SNAP RING	11	1
43	1	1 619 P02 506	LOCKING LEVER		1
44	1	2 610 921 530	COVER	10	1
45	1	1 619 P02 740	EXTENSION SPRING		1
46	1	1 619 P01 127	RUBBER RING	10	1
47	1	1 619 P02 508	HANDLE		1
48	2	1 619 X00 504	SCREW	10	1
49	8	1 619 P01 505	SCREW	10	1
50	3	2 610 925 864	PAN-HD SELF-TAP SCREW	10	1
51	2	1 619 X00 658	SCREW		1
52	1	1 619 P06 468	CONNECTING CABLE		1
53	1	1 619 P06 469	CONNECTING CABLE		1
54	2	2 610 918 148	CABLE	12	1
55	1	1 619 P02 509	END CAP		1
59	1	1 619 P04 540	ADJUSTING SCREW		1
60	1	2 917 800 253	SPRING PIN		1
62	2	1 619 P02 742	LEVER		1
63	1	1 619 P02 794	BOLT		1
64	1	1 619 P02 795	LOCK NUT		1
65	1	2 916 080 012	LOCKING WASHER / DIN 6799-9-FSt	11	1
66	2	1 619 P02 796	RETAINING RING		1
67	1	1 619 P02 743	GUIDE BOLT		1
68	2	1 619 P01 535	WASHER	11	1
803	1	1 619 P02 744	ARMATURE / 120V		1
808	1	1 619 P04 516	TYPE IDENTIFYING MARK		1
816	1	2 610 920 046	CARBON-BRUSH SET	22	1
824	1	1 619 P06 004	PROTECTIVE GUARD		1
856	1	1 619 P06 006	BASE PLATE		1
858	1	1 619 P06 007	GUIDE ANGLE		1