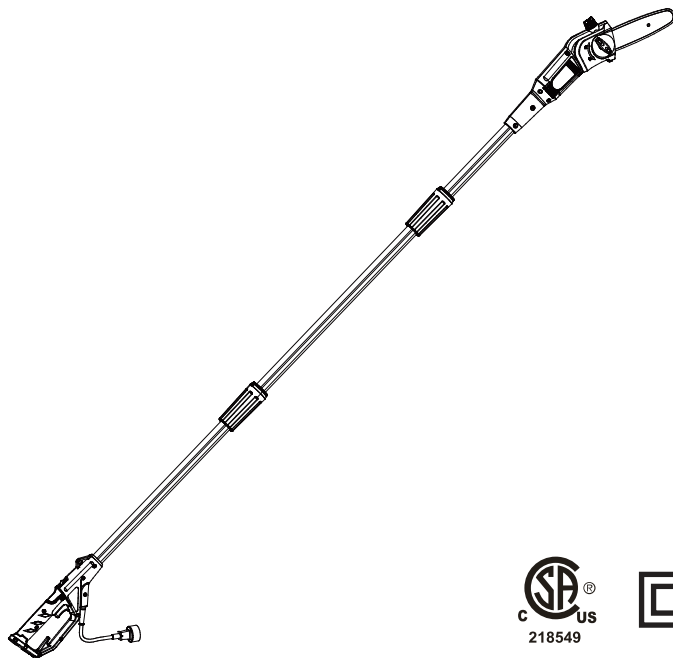




8" ELECTRIC POLE SAW

20192



Owner's Manual

TOLL-FREE HELPLINE: 1-888-90WORKS (888.909.6757)

Read all safety rules and instructions carefully before operating this tool.

CONTENTS

Contents	2
Specifications	2
Important Safety Instructions.....	3-4
General Safety Rules.....	5-6
Symbols.....	7-8
Electrical.....	9-10
Know Your Pole Saw.....	11-12
Assembly	13-15
Operation.....	16-22
Maintenance	23-29
Troubleshooting	30
Warranty	31
Exploded view.....	32-33
Parts list.....	34-35

SPECIFICATIONS

8" 6.5A ELECTRIC POLE SAW

Motor	120 V AC, 60 Hz, 6.5 Amp
Horsepower	1HP
Bar Length.....	8" (20.3 cm)
Speed	6000 RPM (No load)
Chain speed	1200 RPM
Pole length	98.4" (2.5 m)full 37.4"(0.95m) collapsed
Chain Pitch	3/8" (9.5 mm)
Chain Gauge	0.043" (1.1 mm)
Drive Sprocket.....	33-tooth
Net Weight.....	8.81 lbs (4 kg)



IMPORTANT SAFETY INSTRUCTIONS

WARNING

Do not attempt to operate this tool until you have read all of the instructions, safety information, etc. contained in this manual thoroughly and understand them completely. Failure to comply may result in accidents involving fire, electric shock, or serious personal injury.

BASIC SAFETY PRECAUTIONS

- Do not start cutting until you have a clear work area, secure footing, and a planned retreat path from the falling tree. Cluttered areas invite accidents.
 - Keep all children, bystanders, visitors, and animals out of the work area while starting or cutting with the polesaw.
 - Do not operate polesaw in an explosive atmosphere, such as in the presence of flammable liquids, gases, or dust. Power tools create sparks which may ignite the dust or fumes.
-

WARNING

Use outdoor extension cords marked SW-A, SOW-A, STW-A, STOW-A, SJW-A, SJTW-A, or SJTOW-A. These cords are rated for outdoor use, and reduce the risk of electric shock.

- **Polarized Plugs.** To reduce the risk of electric shock, this tool has a polarized plug (one blade is wider than the other). This plug will only fit into a polarized outlet one way. If the plug does not fit fully into the outlet, reverse the plug. If it still does not fit, contact a qualified electrician to install the proper outlet. Do not change the plug in any way.
 - **Make sure your extension cord is in good condition.** When using an extension cord, be sure to use one heavy enough to carry the current your product will draw. A wire gauge size (A.W.G.) of at least 14 is recommended for an extension cord 100' (30 m) or less in length. If in doubt, use the next heavier gauge. The smaller the gauge number, the heavier the cord. An undersized cord will cause a drop in line voltage, resulting in loss of power and overheating.
 - **Inspect extension cords periodically, and if damaged, have repaired by a licensed electrician.** Constantly stay aware of cord location. Following this rule will reduce the risk of electric shock or fire.
 - **Wear snug fitting clothing.** Always wear heavy, long pants, overalls, jeans or chaps made of cut-resistant material or ones that contain cut-resistant inserts. Wear non-slip safety footwear. Wear non-slip heavy duty gloves to improve your grip and to protect your hands. Do not wear jewellery, short pants, sandals, or go barefoot. Do not wear loose-fitting clothing that could be drawn into the motor or catch the chain or underbrush. Secure hair so it is above shoulder level.
 - **Heavy protective clothing may increase operator fatigue, which could lead to heat stroke.** During weather that is hot and humid, heavy work should be scheduled for early morning or late afternoon hours, when temperatures are cooler.
 - **Wear eye protection that is marked to comply with ANSI Z87.1 as well as hearing and head protection when operating this equipment.** Hearing protection should be worn.
 - **Always be aware of what you are doing when using the chainsaw.** Use common sense. Do not operate the chainsaw when you are tired, ill, or under the influence of alcohol, drugs, or medication.
-

IMPORTANT SAFETY INSTRUCTIONS

- Do not expose the chainsaw to rain.
- Do not use the chainsaw in damp or wet locations.
- To reduce the risk of electric shock, this product has a polarized plug (one blade is wider than the other) and will require the use of a polarized extension cord. The plug will only fit into a polarized extension cord one way. If the plug does not fit fully into the extension cord, reverse the plug. If the plug still does not fit, obtain a correct polarized extension cord. A polarized extension cord will require the use of a polarized wall outlet. This plug will only fit into the polarized wall outlet one way. If the plug does not fit fully into the wall outlet, reverse the plug. If the plug still does not fit, contact a qualified electrician to install the proper wall outlet. Do not change the equipment plug, extension cord receptacle, or extension cord plug in any way.
- Do not abuse the cord. Never use the cord to carry the product or to disconnect the plug from an outlet. Keep cord away from heat, oil, sharp edges, or moving parts. Replace damaged cords immediately. Damaged cords increase the risk of electric shock.

WARNING

Use outdoor extension cords marked SW-A, SOW-A, STW-A, STOW-A, SJW-A, SJTW-A, or SJTOW-A. These cords are rated for outdoor use, and reduce the risk of electric shock.

- Ground Fault Circuit Interrupter (GFCI) protection should be provided on the circuit (s) or outlet (s) to be used for the gardening appliance. Receptacles are available having built-in GFCI protection and may be used for this measure of safety.

SAVE THESE INSTRUCTIONS

GENERAL SAFETY RULES

- Kickback is a dangerous reaction that can lead to serious injury. Kickback may occur when the moving chain contacts an object at the upper portion of the tip of the guide bar, or when the wood closes in and pinches the chain in the cut. Contact at the upper portion of the tip of the guide bar can cause the chain to dig into the object and stop the chain for an instant. The result is a lightning-fast reverse reaction that kicks the guide bar up and back toward the operator. If the chain is pinched along the top of the guide bar, the guide bar can be driven rapidly back toward the operator, which can cause loss of control, and may result in serious injury. Do not rely exclusively on the safety devices built into the product. With a basic understanding of kickback, you can reduce or eliminate the element of surprise. Sudden surprise contributes to accidents.
- Use pole saw for cutting wood only. Do not use for cutting non-wooden items.
- Make sure that the area in which you are cutting is free of obstructions. Do not let the nose of the guide bar contact a log, branch, fence, or any other obstruction while you are operating the unit. Have a planned retreat path.
- Do not grasp the exposed cutting blades or cutting edges when picking up or holding the product.
- Cut only when visibility and light are adequate for you to see clearly.
- To protect yourself from electrocution, do not operate within 50' (15 m) of overhead electrical lines.
- Before starting the motor, make sure the chain is not contacting any object.
- To protect yourself from falling branches, do not stand directly under the branch or limb being cut. This unit should not be held at an angle over 60° from ground level.
- Turn off the motor and make sure the cutting attachment has stopped before setting the unit down.
- Follow the sharpening and maintenance instructions for the saw chain.
- Use only the replacement guide bars and low-kickback chains specified for the unit.
- Do not operate the saw with one hand! Serious injury to the operator, helpers, bystanders, or any combination of these persons may result from one-handed operation. This saw is intended for two-handed use.
- Use extreme caution when cutting small brush and saplings, because slender material may catch the saw chain and be whipped toward you or pull you off balance.
- When cutting a limb that is under tension, be alert for spring back so that you will not be struck when tension in wood fibers is released.
- To avoid accidental starting, never carry plugged in product with finger on switch. Be sure switch is off when plugging in.
- Maintain product with care. Keep cutting edge sharp and clean for best performance and to reduce the risk of injury. Follow instructions for lubricating and changing accessories. Inspect cord periodically, and if damaged, have it repaired by an authorized service facility. Inspect extension cords periodically, and replace if damaged. Keep handles dry, clean, and free of oil and grease.












GENERAL SAFETY RULES

- Check damaged parts. Before further use of the product, a guard or other part that is damaged should be carefully checked to determine whether it will operate properly and perform its intended function. Check for misalignment or binding of moving parts, broken parts and mountings, and any other condition that may affect the operation of the tool. A guard or other part that is damaged should be properly repaired or replaced by an authorized service centre unless indicated elsewhere in this manual.
- Disconnect the plug from power source when not in use, before servicing, and when changing accessories.
- Service on the product must be performed by qualified repair personnel only. Service or maintenance performed by unqualified personnel could result in injury to the user or damage to the product.
- If the power supply cord is damaged, it must be replaced only by the manufacturer or by an authorized service centre to avoid risk.
- Save these instructions. Refer to them frequently, and use them to instruct others who may use this product. If you loan someone this product, loan them these instructions also to prevent misuse of the product and possible injury.

SAVE THESE INSTRUCTIONS




SYMBOLS

Some of the following symbols may be used on this product. Please study them and learn their meaning. Proper interpretation of these symbols will allow you to operate the product better and safer.

SYMBOL	NAME	DESIGNATION/EXPLANATION
V	Volts	Voltage
A	Amperes	Current
Hz	Hertz	Frequency (cycles per second)
W	Watts	Power
min	Minutes	Time
~	Alternating Current	Type of current
≡	Direct Current	Type or a characteristic of current
n_0	No Load Speed	Rational speed, at no load
	Class II Construction	Double-insulated construction
/min	Per Minute	Revolutions, strokes, surface speed, orbits etc., per minute
	Wet Conditions Alert	Do not expose to rain or use in damp locations
	Read The Operator's Manual	To reduce the risk of injury user must read and understand operator's manual before using this product.
	Eye and Head Protection	Wear eye and head protection when operating this equipment.
	Safety Alert	Precautions that involve your safety.
	Operate With Two Hands	Hold and operate the saw properly with both hands
	Kickback	DANGER! Beware of kickback.
	Bar Nose Contact	Avoid bar nose contact.
	Wear Gloves	Wear non-slip, heavy-duty protective gloves when handling the chainsaw.
	Wear Safety Footwear	Wear non-slip safety footwear when using this equipment.
	Keep Bystanders Away	Keep all bystanders at least 50 ft. away.

SYMBOLS

The following signal words and meanings are intended to explain the levels of risk associated with this product.

SYMBOL	SIGNAL	MEANING
	DANGER	Indicates an imminently hazardous situation, which, if not avoided, will result in death or serious injury.
	WARNING	Indicates a potentially hazardous situation, which, if not avoided, could result in death or serious injury.
	CAUTION	Indicates a potentially hazardous situation, which, if not avoided, may result in minor or moderate injury.
	CAUTION	(Without Safety Alert Symbol) Indicates a situation that may result in property damage.

SERVICE

Servicing requires extreme care and knowledge and should be performed only by a qualified service technician. For service we suggest you return the product to your nearest **AUTHORIZED SERVICE CENTER** for repair. When servicing, use only identical replacement parts.

WARNING

To avoid serious personal injury, do not attempt to use this product until you have read this Owner's Manual thoroughly and understand it completely. If you do not understand the warnings and instructions in this Owner's Manual, do not use this product. Call the Toll-free Helpline (1-888-909-6757) for assistance. The operation of any power tool can result in foreign objects being thrown into your eyes, which can result in severe eye damage. Before operating a power tool, always wear safety goggles, safety glasses with side shields, or a full face shield when needed. We recommend a Wide Vision Safety Mask for use over eyeglasses or standard safety glasses with side shields. Always use eye protection that is marked to comply with ANSI Z87.1.

WARNING



The operation of any power tool can result in foreign objects being thrown into your eyes, which can result in severe eye damage. Before beginning power tool operation, always wear safety goggles or safety glasses with side shields and, when needed, a full face shield. We recommend Wide Vision Safety Mask for use over eyeglasses or standard safety glasses with side shields. Always use eye protection which is marked to comply with ANSI Z87.1.

SAVE THESE INSTRUCTIONS

ELECTRICAL

⚠ WARNING

TO AVOID ELECTRICAL HAZARDS, FIRE HAZARDS, OR DAMAGE TO THE TOOL, USE PROPER CIRCUIT PROTECTION. THIS CHAINSAW IS WIRED AT THE FACTORY FOR 120 V OPERATION. CONNECT TO A 120 V, 15 A CIRCUIT, AND USE A 15 A TIME-DELAYED FUSE OR CIRCUIT BREAKER. TO AVOID SHOCK OR FIRE WHEN THE POWER CORD IS WORN, CUT, OR DAMAGED IN ANY WAY, REPLACE IT IMMEDIATELY.

DOUBLE INSULATION

The pole saw is double insulated to provide a double thickness of insulation between you and the tool's electrical system. All exposed metal parts are isolated from the internal metal motor components with protective insulation.

⚠ WARNING

TO AVOID INJURY, USE ONLY IDENTICAL REPLACEMENT PARTS WHEN SERVICING THE POLE SAW.

⚠ WARNING

DOUBLE INSULATION DOES NOT TAKE THE PLACE OF NORMAL SAFETY PRECAUTIONS WHEN OPERATING THIS TOOL.

⚠ WARNING

TO AVOID ELECTRIC SHOCK:

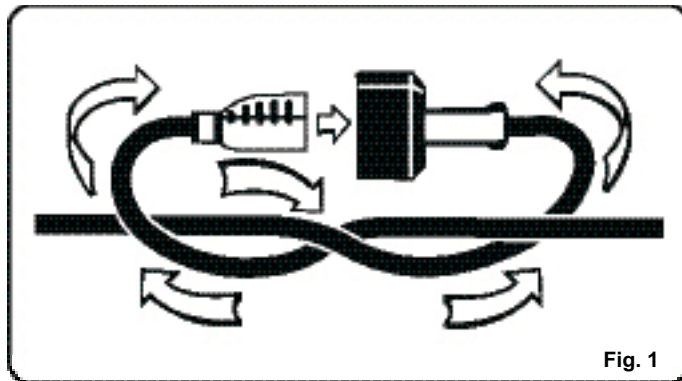
1. Use only identical replacement parts when servicing a tool with double insulation. Servicing should be performed by a qualified technician.
 2. Do not use in wet or damp areas or expose to rain.
-

ELECTRICAL CONNECTION (See Fig. 1)

Polarized Appliance Connections To reduce the risk of electric shock, this appliance has a polarized plug (one blade is wider than the other) and will require the use of a polarized extension cord. The appliance plug will fit into a polarized extension cord only one way. If the plug does not fit fully into the extension cord, reverse the plug. If the plug still does not fit, obtain a correct polarized extension cord. A polarized extension cord will require the use of a polarized wall outlet. This plug will fit into the polarized wall outlet only one way. If the plug does not fit fully into the wall outlet, reverse the plug. If the plug still does not fit, contact a qualified electrician to install the proper wall outlet. Do not change the equipment plug, extension cord receptacle, or extension cord plug in any way.

SAVE THESE INSTRUCTIONS

ELECTRICAL



**Ampere rating (on product data plate)

MINIMUM GAUGE FOR EXTENSION CORDS (AWG) (WHEN USING 120 V ONLY)

Amp Rating		Total Length of Cord in Feet (meters)		
More Than	Not More Than	25' (7.6 m)	50' (15 m)	100' (30.4 m)
0	6	18	16	16
6	10	18	16	14
10	12	16	16	14
12	16	14	12	Not Recommended

**Used on 12 gauge - 20 amp circuit.

NOTE : AWG = American Wire Gauge

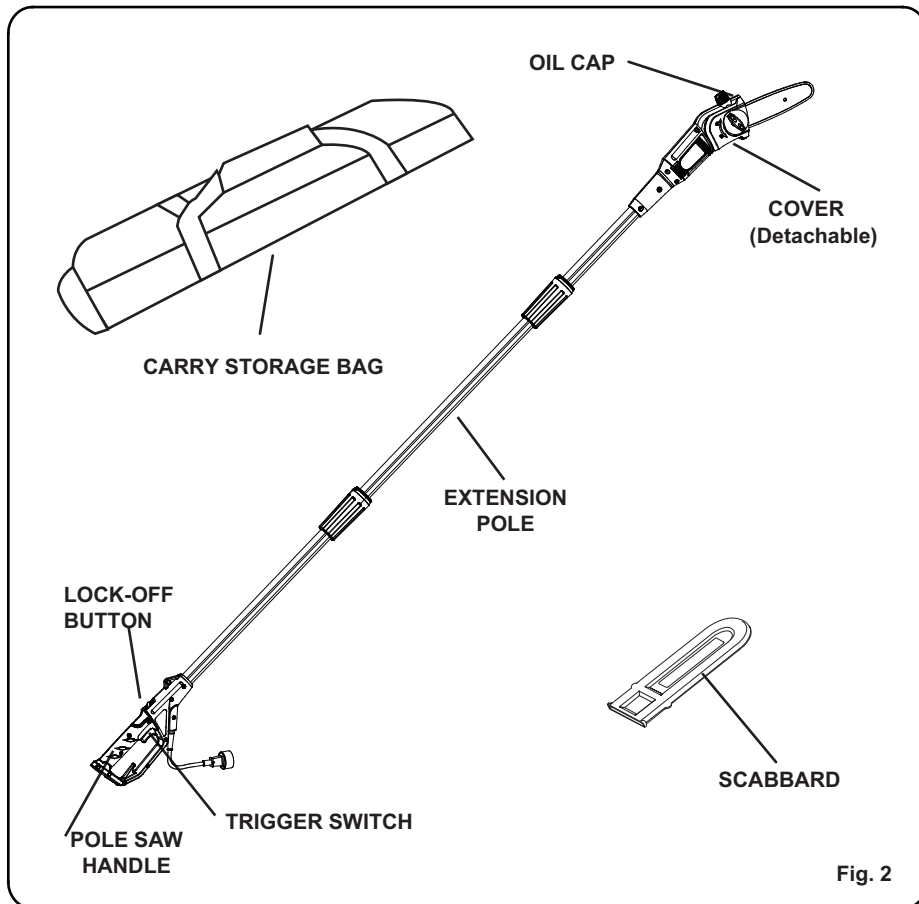
⚠ WARNING

Keep the extension cord clear of the working area. Position the cord so that it will not get caught on lumber, tools, or other obstructions while you are working with a power tool. Failure to do so can result in serious personal injury.

⚠ WARNING

Check extension cords before each use. If damaged replace immediately. Never use the product with a damaged cord since touching the damaged area could cause electrical shock resulting in serious injury.

KNOW YOUR POLE SAW



KNOW YOUR POLE SAW

The safe use of this product requires an understanding of the information on the product and in this Owner's Manual, as well as a knowledge of the project you are attempting. Before using of this product, familiarize yourself with all operating features and safety rules.

LOCK-OFF BUTTON *(See Fig. 2)*

To help prevent accidental starting, the lock-off button must be depressed along with the trigger switch.

QUICK-VIEW OIL INDICATOR

Semi-transparent bar lube reservoir that allows user to see when to add lubricant.

SCABBARD

The scabbard keeps the operator from coming in contact with the sharp blades when the tool is not in use. It also helps keep the blades from being nicked or damaged when the tool is in storage.

EXTENSION POLE

A pole can be added to achieve different lengths to reach higher branches.

ASSEMBLY

UNPACKING

This product requires assembly.

- Carefully remove the product and any accessories from the box. Make sure that all items listed in the packing list are included.
- Inspect the product carefully to make sure no breakage or damage occurred during shipping.
- Do not discard the packing material until you have carefully inspected and satisfactorily operated the product.
- If any parts are damaged or missing, please call **1-888- 909-6757** for assistance.

PACKING LIST

Pole Saw
Extension pole
Owner's Manual
Carry storage bag

W A R N I N G

If any parts are damaged or missing, do not operate this product until the parts are replaced. Failure to heed this warning could result in serious personal injury.

W A R N I N G

Do not attempt to modify this product or create accessories not recommended for use with this product. Any such alteration or modification is misuse, and could result in a hazardous condition leading to possible serious personal injury.

W A R N I N G

Disconnect the pole saw from the power supply until assembly is complete. Failure to comply could result in accidental starting and possible serious personal injury.

CONNECTING THE POLES (See Fig. 3)

Before using the pole saw, assembly is required. When removed from the box, there are the three poles as shown above.

- Remove packaging material from cord and discard.
- Insert the intermediate pole into the handle pole and slide together. The tubes are egg-shaped and will only install one way.
- Lower the collar on the intermediate pole to the threaded base on the handle pole and rotate clockwise to secure.
- Repeat this process to attach the intermediate pole to the powerhead pole.

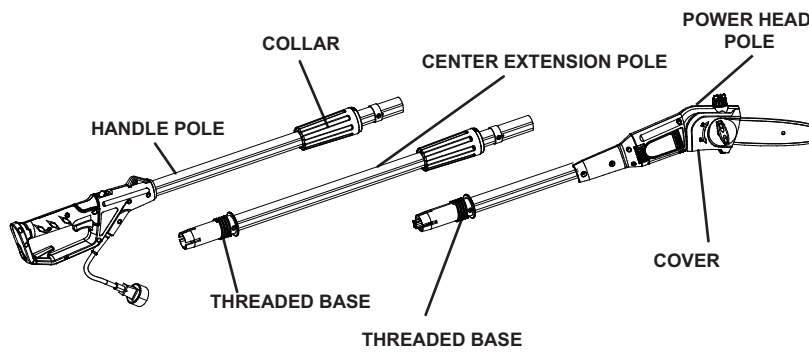
ASSEMBLY

NOTE: Handle pole and chainsaw pole should not be able to separate from intermediate pole once assembled correctly. Repeat above steps if poles can be separated from intermediate pole.

⚠ WARNING

Failure to lock chainsaw pole as directed above could result in serious injury or death.

Fig. 3



OPERATION

⚠ WARNING

Do not allow familiarity with this product to make you careless. Remember that a careless fraction of a second is sufficient to inflict serious injury.

⚠ WARNING

Do not use any attachments or accessories not recommended by the manufacturer of this product. The use of non-recommended attachments or accessories can result in serious personal injury.

⚠ WARNING

Always wear safety goggles or safety glasses with side shields when operating power tools. Failure to do so could result in objects being thrown into your eyes, resulting in possible serious injury.

APPLICATIONS

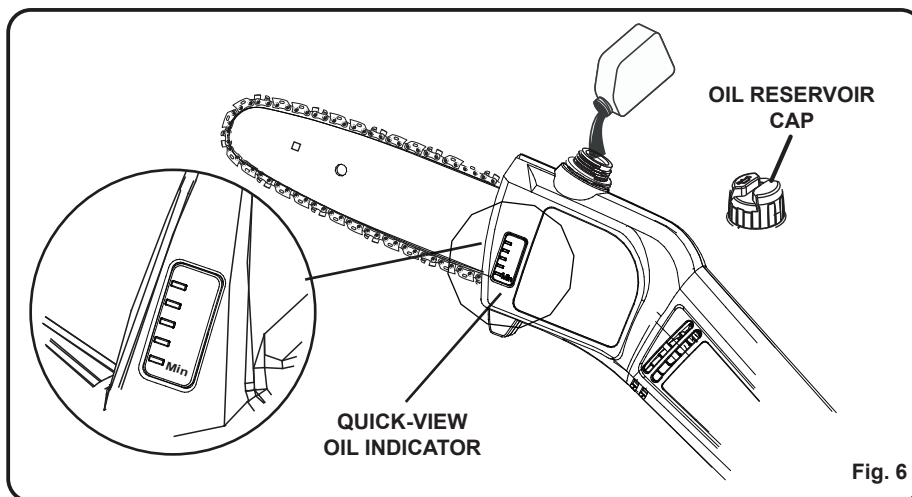
You can use this product as a pole saw for the purposes listed below:

- Limbing
- Pruning

You can also use this product as a chainsaw for the purposes listed below:

- Basic limbing, felling, and woodcutting
- Removing buttress roots

ADDING BAR AND CHAIN LUBRICANT (See Fig. 6)



OPERATION

Use a lubricant that is designed for chains and chain oilers, and is formulated to perform over a wide temperature range with no dilution required.

NOTE: Pole saw comes from the factory with no bar and chain oil added. Level should also be checked after every 20 minutes of use, and refilled as needed.

- Remove oil cap.
- Carefully pour the bar and chain oil into the tank.
- Wipe off excess oil.
- Check and fill the oil tank when quick-view oil indicator is below the "MIN" indicator line.
- Repeat as needed.

NOTE: Do not use dirty, used or otherwise contaminated oils. Damage may occur to the bar or chain.

NOTE: It is normal for oil to seep from the saw when not in use. To prevent seepage, empty the oil tank after each use, then run for one minute. When storing the unit for a long period of time (three months or longer), be sure the chain is lightly lubricated. This will prevent rust on the chain and bar sprocket.

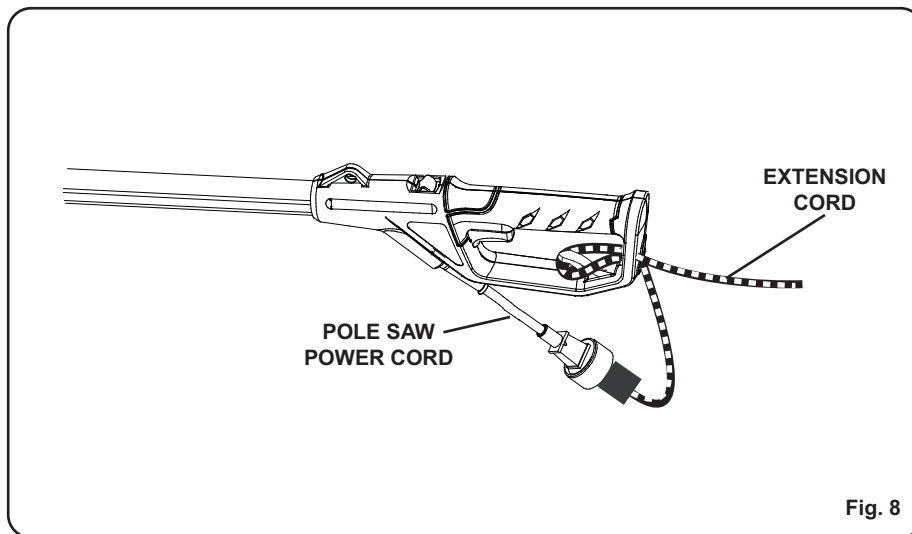
IMPORTANT:

To preserve natural resources, please recycle or dispose of oil properly. Consult your local waste management authority for information regarding available recycling and/disposal options.

OPERATION

CONNECTING TO POWER SUPPLY (See Fig. 8)

- Plug pole saw power cord into extension cord.



OPERATION

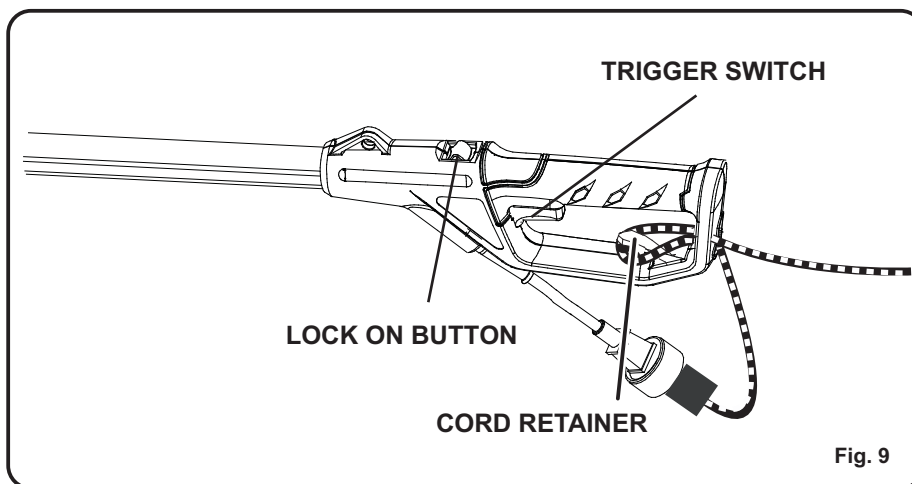
STARTING AND STOPPING (See Fig. 9)

TO START THE MOTOR:

- Connect the saw to power supply.
- Place your thumb on the lock-off button, and pull it completely toward you.
- Fully depress the trigger switch.
- Release the Lock-off button.

TO STOP THE MOTOR:

- Release the trigger switch.



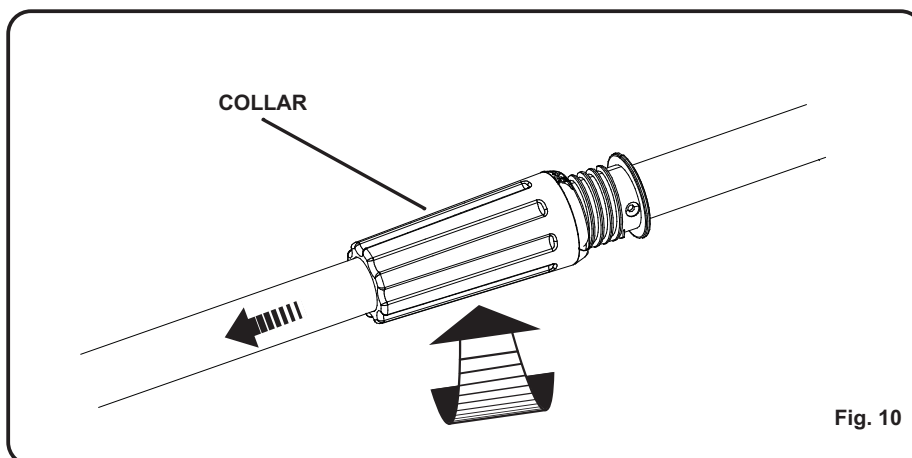
OPERATION

ADJUSTING POLE EXTENSION (See Fig. 10.)

- Disconnect the pole saw from the power supply.
- Rotate the collar counter clockwise to loosen.
- Pull the power-head pole off of the extension pole, and remove the extension pole from the handle pole.
- Connect the power-head pole to the handle pole, slide the collar up and rotate the collar clockwise to tighten.

NOTE: Extend the pole only to the length required to reach the limb being cut. Do not lift the handle above waist height.

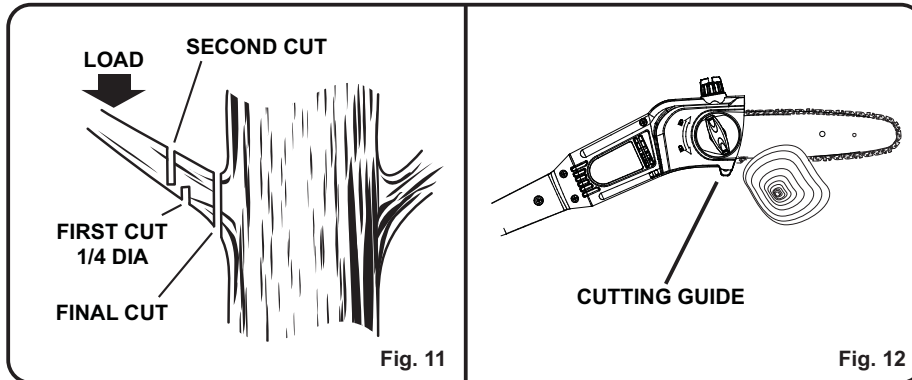
NOTE: Adjust hand placement on the shaft of the pole saw to keep proper balance. Do not attempt to use the pole saw at a length that does not allow you to achieve proper footing and balance at all times.



PREPARATION FOR CUTTING (See Fig. 11-12.)

- Wear non-slip gloves for maximum grip and protection.
- Maintain a proper grip on the unit whenever the motor is running. Use your right hand to firmly grip the rear handle while your left hand has a firm grip on the pole shaft.
- Hold unit firmly with both hands. Always keep your left hand on the pole shaft and your right hand on the rear handle, so your body is to the left of the chain line. Never use a left-handed (cross-handed) grip or any stance that places your body or arm across the chain line.
- Never stand directly under the limb you are cutting.
- Be certain the collars are fully tightened before operating equipment. Check them periodically for tightness during use to avoid serious injury.

OPERATION



BASIC CUTTING PROCEDURE (See Fig. 13-14.)

Follow the steps below to prevent damage to tree or shrub bark. Do not use a back-and-forth sawing motion.

- Make a shallow first cut (1/4 of limb diameter) on the underside of the limb close to the main limb or trunk.
- Make a second cut from the top side of the limb outboard from the first cut. Continue the cut through the limb until the limb separates from the tree. Be prepared to balance the weight of the tool when the limb falls.
- Make a final cut close to trunk.

NOTE: For second and final cuts (from top of limb or branch), hold front cutting guide against the limb being cut. This will help steady the limb and make it easier to cut. Allow chain to cut for you. Exert only light downward pressure. If you force the cut, damage to the bar, chain, or motor can result.

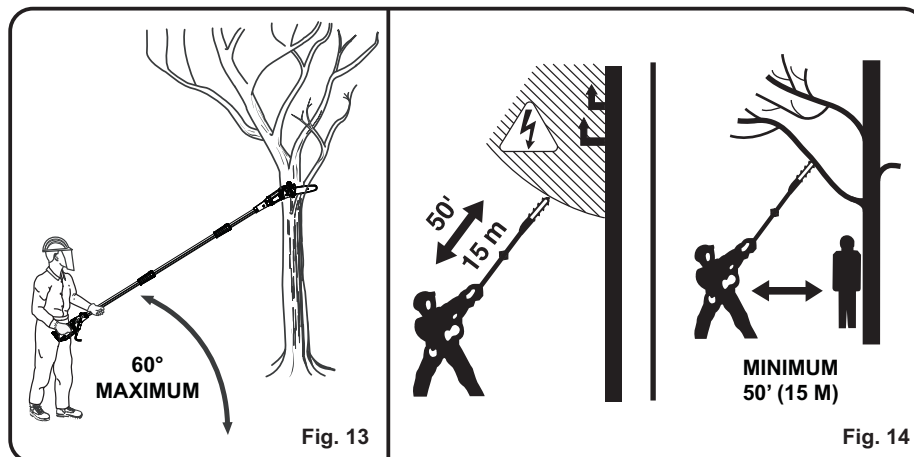
- Release the trigger as soon as the cut is completed. Failure to follow proper cutting procedures will result in the bar and chain binding and becoming pinched or trapped in the limb. If this should happen:
- Stop the motor and disconnect from the power supply.
- If the limb can be reached from the ground, lift the limb while holding the saw. This should release the "pinch" and free the saw.
- If the saw is still trapped, call a professional for assistance.

This unit is designed for trimming small branches and limbs up to 6" (15.2 cm) in diameter. For best results, observe the following precautions.

- Plan the cut carefully. Be aware of the direction in which the branch will fall. Branches may fall in unexpected directions. Do not stand directly under the branch being cut.

OPERATION

- The most typical cutting application is to position the unit at an angle of 60° or less, depending on the specific situation, as shown. As the angle of the pole saw shaft to ground increases, the difficulty of making the first cut (from the underside of limb) increases.
- Remove long branches in several stages.
- Cut lower branches first to allow the top branches more room to fall.
- Work slowly, keeping both hands on the saw with a firm grip. Maintain secure footing and balance.
- Keep the tree between you and the chain while limbing. Cut from side of tree opposite branch you are cutting.
- Do not cut from a ladder. This is extremely dangerous. Leave this operation for professionals.
- Do not make the flush cut next to the main limb or trunk until you have cut off the limb further out to reduce the weight. Following proper cutting procedures will prevent stripping the bark from the main member.
- Do not use the pole saw for felling or bucking.
- To prevent electrocution, do not operate within 50' (15 m) of overhead electrical lines.
- Keep bystanders at least 50' (15 m) away.



⚠ I M P O R T A N T :

When servicing, use only identical replacement parts. Use of any other parts may create a hazard or cause product damage.

⚠ I M P O R T A N T :

Always wear safety goggles or safety glasses with side shields during power tool operation or when blowing dust. If operation is dusty, also wear a dust mask.

⚠ I M P O R T A N T :

Before inspecting, cleaning or servicing the unit, stop the motor, wait for all moving parts to stop, and disconnect from power supply. Failure to follow these instructions can result in serious personal injury or property damage.

GENERAL MAINTENANCE

Avoid using solvents when cleaning plastic parts. Most plastics are susceptible to damage from various types of commercial solvents and may be damaged by their use. Use clean cloths to remove dirt, dust, oil, grease, etc.

⚠ I M P O R T A N T :

Do not let brake fluids, gasoline, petroleum-based products, penetrating oils, etc., come into contact with plastic parts at any time. Chemicals can damage, weaken, or destroy plastic, which may result in serious personal injury.

All pole saw servicing, other than the items listed in the maintenance instructions in the Owner's Manual, should be performed by an authorized service dealer.

MAINTENANCE

CHAIN TENSION (See Fig. 15 - 16.)

⚠ WARNING

To avoid possible serious injury, never touch or adjust the chain while the motor is running. The saw chain is very sharp. Always wear protective gloves when performing maintenance involving the chain.

- Stop the motor and disconnect from power supply before setting the chain tension. Make sure the guide bar nut is loose enough to finger tighten, turn the chain tensioning screw clockwise to tension the chain. Refer to Replacing the Bar and Chain for additional information.

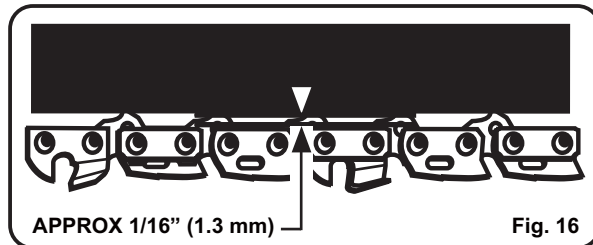
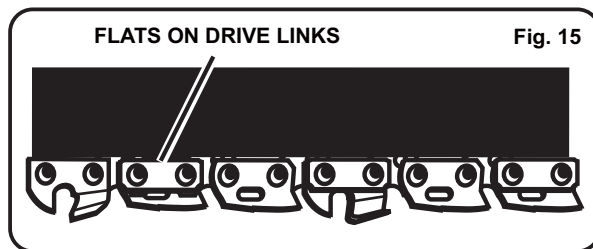
NOTE: A cold chain is correctly tensioned when there is no slack on the underside of the guide bar, the chain is snug, but it can be turned by hand without binding.

- Chain must be retensioned whenever the flats on the drive links hang out of the bar groove as shown in Fig. 15.
- During normal operation, the temperature of the chain will increase. The drive links of a correctly tensioned warm chain will hang approximately 1/16" (1.3 mm) out of the bar groove, as shown in Fig. 16.

NOTE: New chain tends to stretch. Check chain tension frequently and tension as required.

⚠ CAUTION :

Chain tensioned while warm may be too tight upon cooling. Check the "cold tension" before next use.



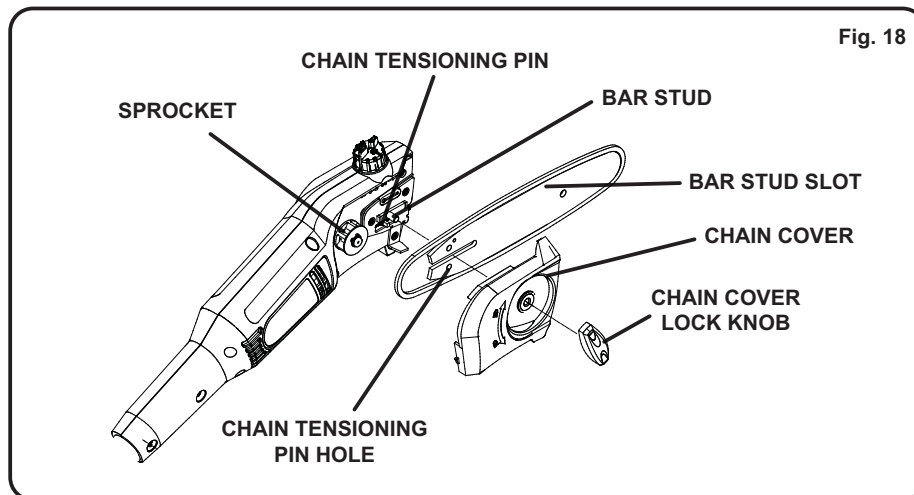
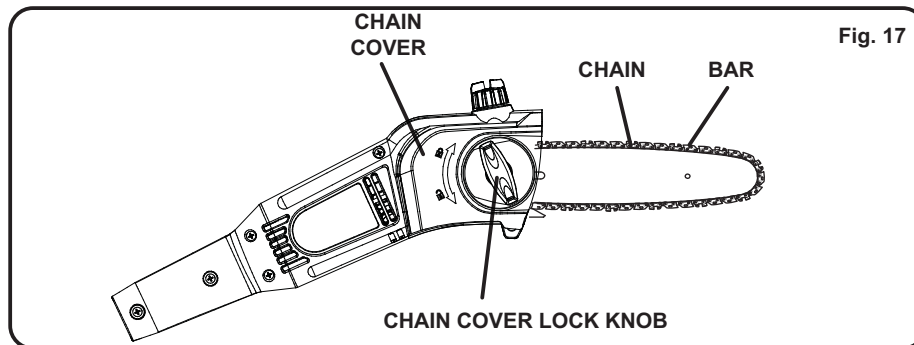
MAINTENANCE

REPLACING THE BAR AND CHAIN (See Fig. 17 - 20.)

⚠ WARNING

To avoid possible serious injury, stop the motor and disconnect from power supply before replacing the bar, chain, or performing any maintenance operation.

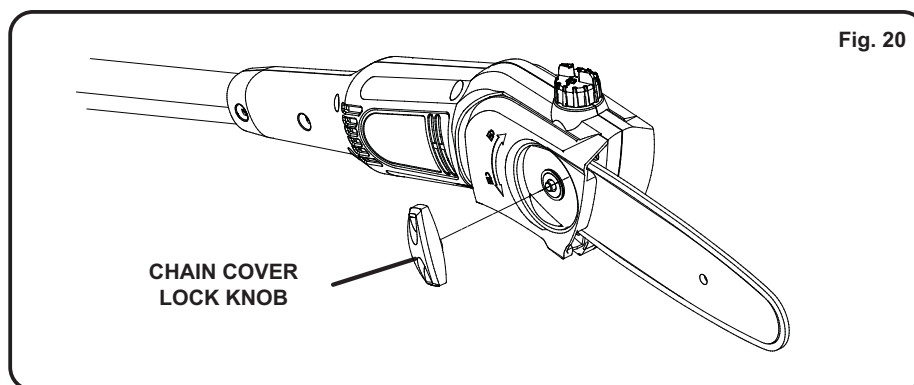
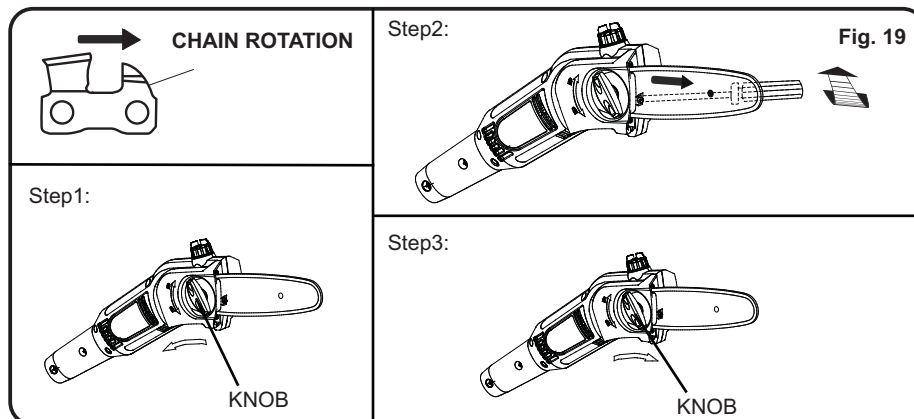
- Remove the lock knob and chain cover.
- The bar contains a bar stud slot that fits over the bar stud. The bar also contains a chain tensioning pin hole that fits over the chain tensioning pin.
- Place the bar onto the bar stud so that the chain tensioning pin fits into the chain tensioning pin hole. Fit the chain over the sprocket and into the bar groove. The cutters on the top of the bar should face toward the bar tip, in the direction of chain rotation.



MAINTENANCE

- Replace the chain cover and install the lock knob. Tighten the lock knob finger tight only. The bar must be free to move for tension adjustment.
- Remove all slack from chain by turning the chain tensioning bolt clockwise, assuring that the chain seats into the bar groove during tensioning.
- Lift the tip of the bar up to check for sag. Release the tip of the bar, and turn the chain tensioning bolt 1/2 turn clockwise.
- Repeat this process until sag does not exist.
- Hold the tip of the bar up and tighten the locked bolt securely.
- Chain is correctly tensioned when there is no slack on the underside of the bar, the chain is snug, and it can be turned by hand without binding.

NOTE: If chain is too tight, it will not rotate. Loosen the bar nut slightly and turn adjusting bolt 1/4 turn counter-clockwise. Lift the tip of the bar up and retighten lock knob.



MAINTENANCE

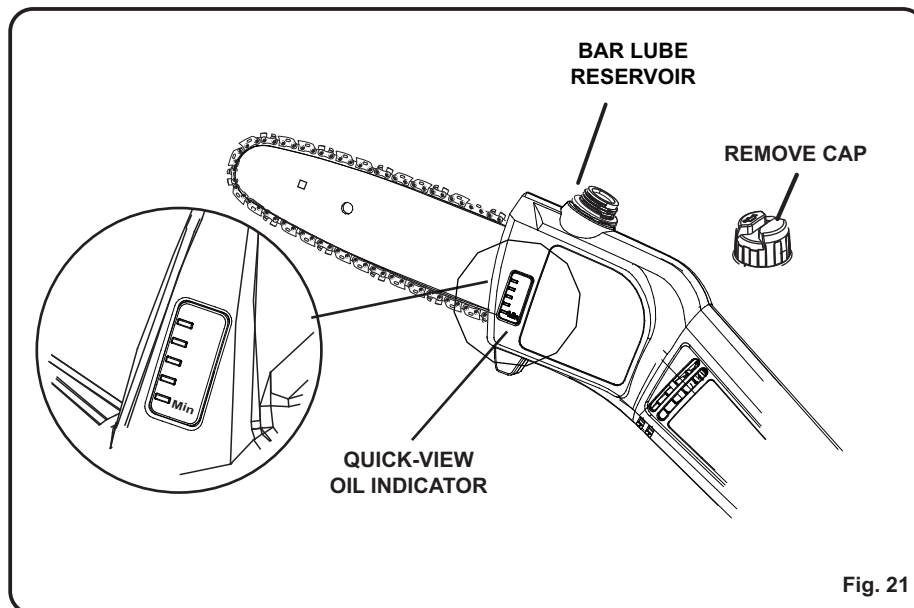
CHAIN OILER (See Fig. 21.)

⚠ WARNING

To avoid possible serious injury, stop the motor and disconnect from supply power from the pole saw before replacing the bar, chain, or performing any maintenance operation.

- Use a lubricant that is designed for chains and chain oilers and is formulated to perform over a wide temperature range with no dilution required.
- Remove the cap and carefully pour approximately 2 oz (57 g) of bar and chain lubricant into the bar lube reservoir.
- Replace the cap and tighten securely.
- Check and refill the bar lube reservoir every time the pole saw is used.

NOTE: Do not use dirty, used, or otherwise contaminated lubricants. Damage may occur to the oil pump, bar, or chain.



MAINTENANCE

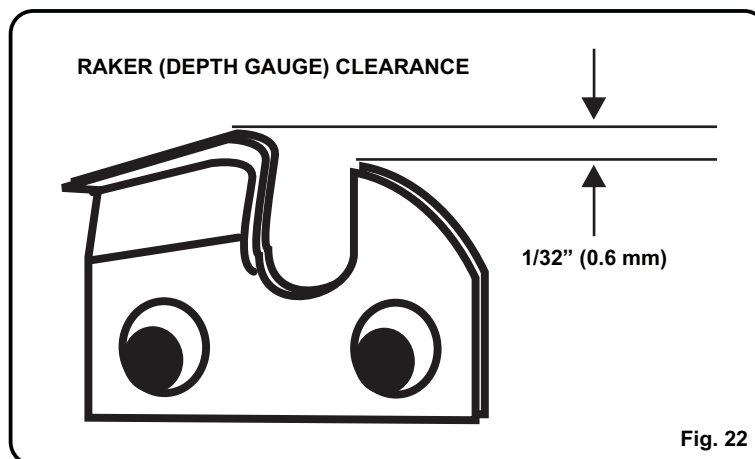
CHAIN MAINTENANCE (See Fig. 22.)

For smooth and fast cutting, the chain needs to be maintained properly. The following conditions indicate that the chain requires sharpening:

- Wood chips are small and powdery
- Chain must be forced through the wood during cutting
- Chain cuts to one side

During maintenance of the chain, consider the following:

- Improper filing angle of the side plate can increase the risk of a severe kickback.
- Depth gauge (or raker clearance) setting determines the height the cutter enters the wood and the size of the wood chip that is removed. Too much clearance increases the potential for kickback. Too little clearance decreases the size of the wood chip, thus decreasing the chain's cutting ability.
- If cutter teeth have hit hard objects such as nails and stones, or have been abraded by mud or sand on the wood, have service dealer sharpen chain.



MAINTENANCE

HOW TO SHARPEN THE CUTTERS (See Fig. 23-26.)

Be careful to file all cutters to the specified angles and to the same length, because fast cutting can only be obtained when all cutters are uniform.

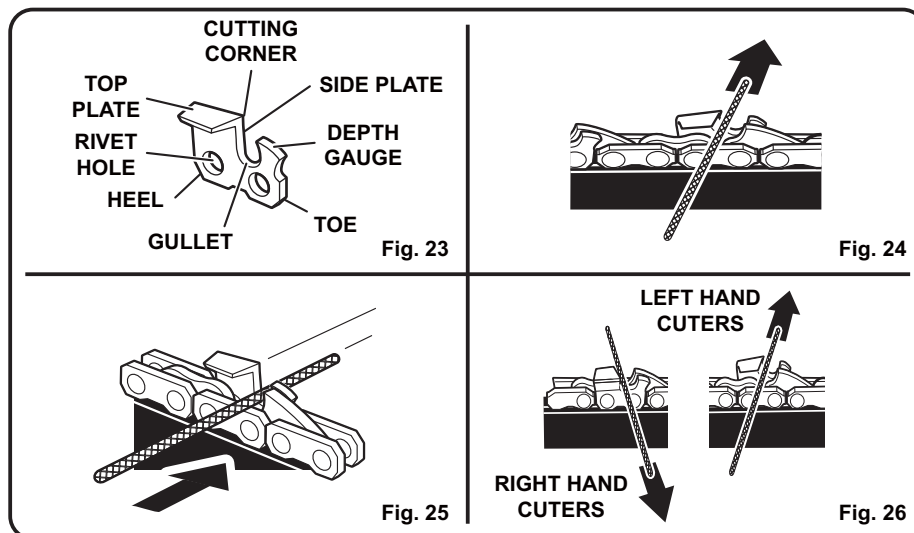
- Tighten the chain tension enough that the chain does not wobble. Do all of your filing at the midpoint of the bar. Wear gloves for protection.
- Use a round file and holder.
- Keep the file level with the top plate of the tooth. Do not let the file dip or rock.
- Using light but firm pressure, stroke toward the front corner of the tooth. Lift file away from the steel on each return stroke.
- Put a few firm strokes on every tooth. File all left-hand cutters in one direction. Then move to the other side and file the right-hand cutters in the opposite direction. Occasionally remove filings from the file with a wire brush.

⚠ CAUTION :

Dull or improperly sharpened chain can cause excessive motor speed during cutting, which may result in severe motor damage.

⚠ WARNING

Improper chain sharpening increases the potential for kickback. Failure to replace or repair damaged chain can cause serious injury.



TROUBLESHOOTING

<u>PROBLEM</u>	<u>CAUSE</u>	<u>REMEDY</u>
Bar and chain running hot and smoking.	Check chain tension for overtightened condition.	Tension chain. Refer to Chain Tension earlier in this manual.
	Bar lube reservoir empty	Check bar lube reservoir.
Motor runs, but chain is not rotating.	Chain tension too tight.	Retension chain.
	Check guide bar and chain assembly.	Refer to Chain Tension earlier in this manual.
	Check guide bar and chain for damage.	Refer to Replacing the Bar and Chain earlier in this manual. Inspect guide bar and chain for damage.

LIMITED FOUR-YEAR WARRANTY



GREENWORKS™ hereby warrants this product, to the original purchaser with **proof of purchase**, for a period of four (4) years against defects in materials, parts or workmanship. GREENWORKS™, at its own discretion will repair or replace any and all parts found to be defective, through normal use, free of charge to the customer. This warranty is valid only for units which have been used for personal use that have not been hired or rented for industrial/commercial use, and that have been maintained in accordance with the instructions in the owners' manual supplied with the product from new.

ITEMS NOT COVERED BY WARRANTY:

1. Any part that has become inoperative due to misuse, commercial use, abuse, neglect, accident, improper maintenance, or alteration; or
2. The unit, if it has not been operated and/or maintained in accordance with the owner's manual; or
3. Normal wear, except as noted below;
4. Routine maintenance items such as lubricants, blade sharpening, chain and bar;
5. Normal deterioration of the exterior finish due to use or exposure.

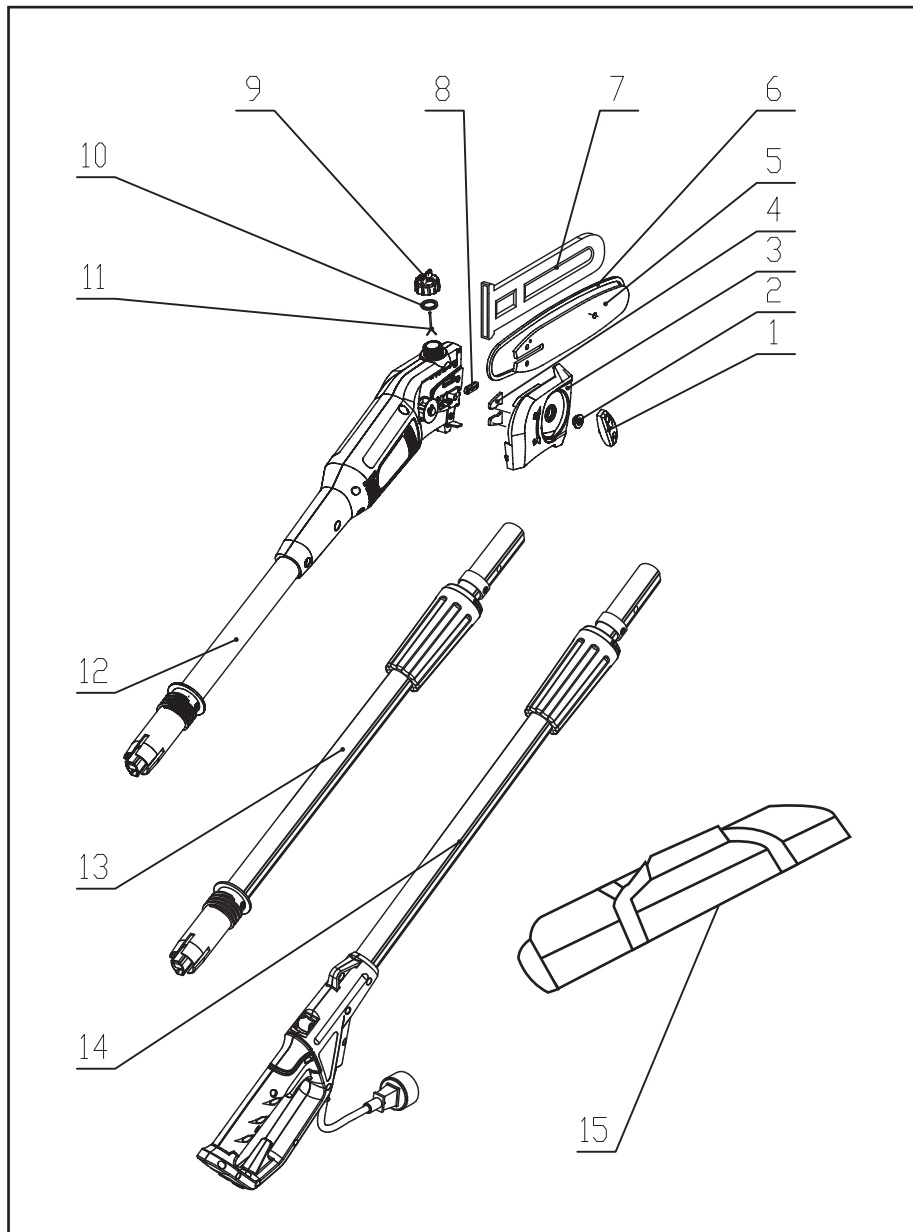
GREENWORKS HELPLINE (1-888-90WORKS):

Warranty service is available by calling our toll-free helpline, 9am to 5pm EST. Monday – Friday at **1-888-909-6757 (1-888-90WORKS)**.

TRANSPORTATION CHARGES:

Transportation charges for the movement of any power equipment unit or attachment are the responsibility of the purchaser. It is the purchaser's responsibility to pay transportation charges for any part submitted for replacement under this warranty unless such return is requested in writing by GREENWORKS.

EXPLODED VIEW



PARTS LIST

ITEM #	PART NO.	QTY	DESCRIPTION
1	34117586	1	Knob
2	33902152	1	Sleeve
3	34116586	1	Side cover
4	34288586	2	Washer
5	32902320-3	1	8" bar
6	32901320	1	8" chain
7	34112320-2	1	Scabbard
8	34201583	1	Oil washer
9	34106583	1	Oil tank cap
10	38406152A	1	Spring
11	38107583	1	Oil tank cap cord
12	31196586	1	Upper pole assembly
13	31195586	1	Middle pole assembly
14	31194586	1	Handle assembly
14	37903586	1	Bag



TOLL-FREE HELPLINE: 1-888-90WORKS (888.909.6757)

Rev:00(06-07-12)

 Printed in China on 100% Recycled Paper