



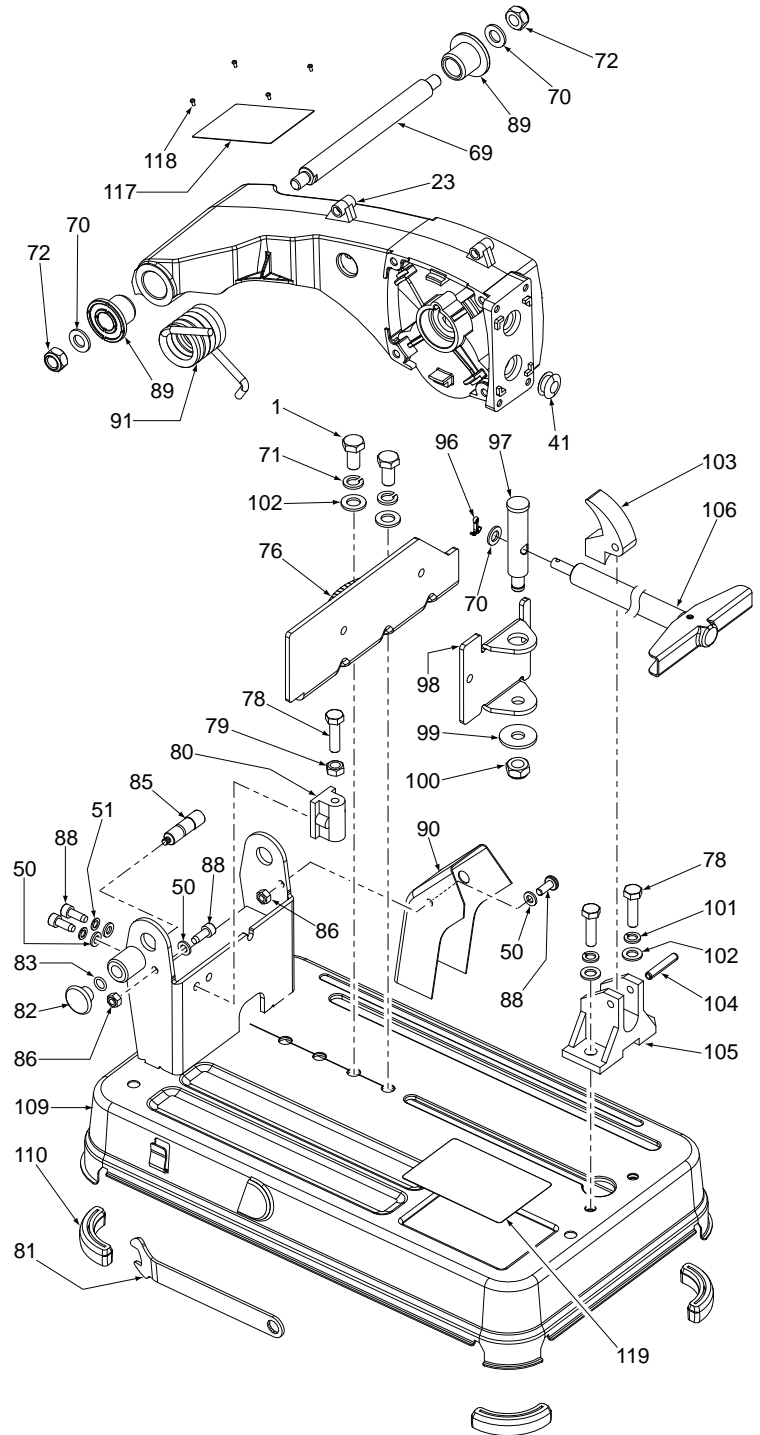
# SERVICE PARTS LIST

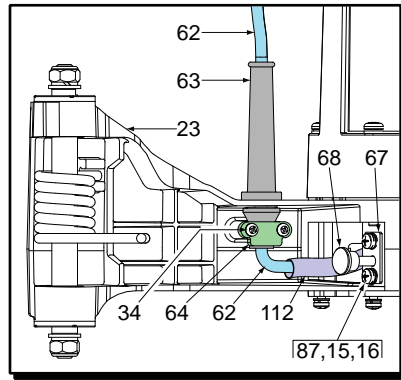
**BULLETIN NO.**  
**54-40-0675**

SPECIFY CATALOG NO. AND SERIAL NO. WHEN ORDERING PARTS		REVISED BULLETIN	DATE
<b>14" ABRASIVE CUT-OFF MACHINE</b>			Mar. 2011
CATALOG NO. <b>6177-20</b>	STARTING SERIAL NO. <b>C77A</b>	WIRING INSTRUCTION <b>58-01-0552</b>	

**EXAMPLE:**  
00 0 Component Parts (Small #) Are Included  
When Ordering The Assembly (Large #).

FIG.	PART NO.	DESCRIPTION OF PART	NO REQ.
1	05-75-0065	M10 x 17 Hex Bolt	(2)
23	28-50-0020	Upper Arm	(1)
41	44-76-0104	Grommet	(1)
50	45-88-8495	6mm Flat Washer	(4)
51	05-90-0185	6mm Spring Washer	(2)
69	42-12-0425	Shaft	(1)
70	45-88-8905	10mm Flat Washer	(3)
71	05-90-0205	10mm Spring Washer	(2)
72	05-55-0135	M10 Nut	(2)
76	45-84-0130	Rear Vise	(1)
78	05-86-0800	M8 x 13 Bolt	(3)
79	05-55-0140	M8 Hex Nut	(1)
80	42-30-0415	Stopper Body	(1)
81	45-96-0100	Wrench	(1)
82	42-42-0465	Lock Button	(1)
83	34-40-0091	O-Ring	(1)
85	44-50-0175	Lock Down Pin	(1)
86	05-55-0125	M6 Nut	(2)
88	05-74-0745	M6 x 16 Bolt	(4)
89	45-22-0690	Sleeve	(2)
90	43-54-0910	Spark Guard	(1)
91	40-50-1295	Torsion Spring	(1)
96	06-65-0017	Cotter Pin	(1)
97	44-64-0015	Fence Shaft	(1)
98	45-84-0135	Clamp Fence	(1)
99	45-88-8421	10mm Flat Washer	(1)
100	05-55-0145	M8 Nylon Hex Nut	(1)
101	05-90-0210	8mm Spring Washer	(2)
102	45-88-8915	8mm Flat Washer	(2)
103	44-40-0015	Release Trigger	(1)
104	06-65-0019	Roll Pin	(1)
105	45-07-0010	Seat	(1)
106	45-84-0140	Screw Bar Assembly	(1)
109	31-06-0016	Base	(1)
110	44-34-0018	Rubber Foot	(3)
117	12-20-6177	Service Nameplate	(1)
118	06-72-1720	Nameplate Rivet	(4)
119	10-20-7300	Warning Label	(1)





**BOTTOM VIEW OF ARM (23)**

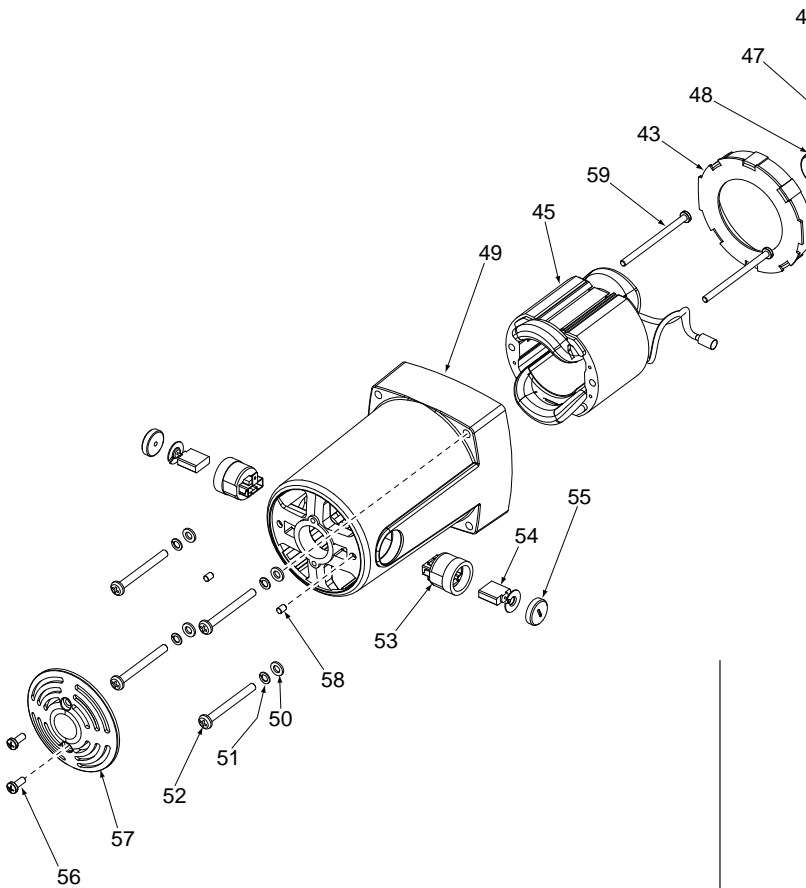


FIG.	PART NO.	DESCRIPTION OF PART	NO REQ.
	15	05-90-0190 5mm Spring Washer	(6)
	16	45-88-8485 5mm Flat Washer	(6)
	23	28-50-0020 Upper Arm	(1)
	24	05-81-0811 M5 x 13 Pan Hd. Plast. Screw	(2)
	25	05-81-0776 M4 x 16 Pan Hd. Plast. ST Screw	(2)
	26	31-44-3220 Carrying Handle - Right	(1)
	27	31-44-3225 Carrying Handle - Left	(1)
	28	05-55-0030 M5 Hex Nut	(2)
	30	31-44-3230 Handle - Right	(1)
	31	05-81-0522 M5 x 20 Pan Hd. Screw	(4)
	32	34-60-0014 Retaining Ring	(1)
	34	05-81-0432 M4 x 13 Pan Hd. Screw	(2)
	35	05-81-0791 M4 x 16 Pan Hd. Plast. ST Screw	(3)
	36	31-44-3235 Handle - Left	(1)
	38	05-78-0426 M4 x 14 Pan Hd. Plast. ST Screw	(1)
	39	23-66-1425 Switch	(1)
	43	31-05-0016 Baffle	(1)

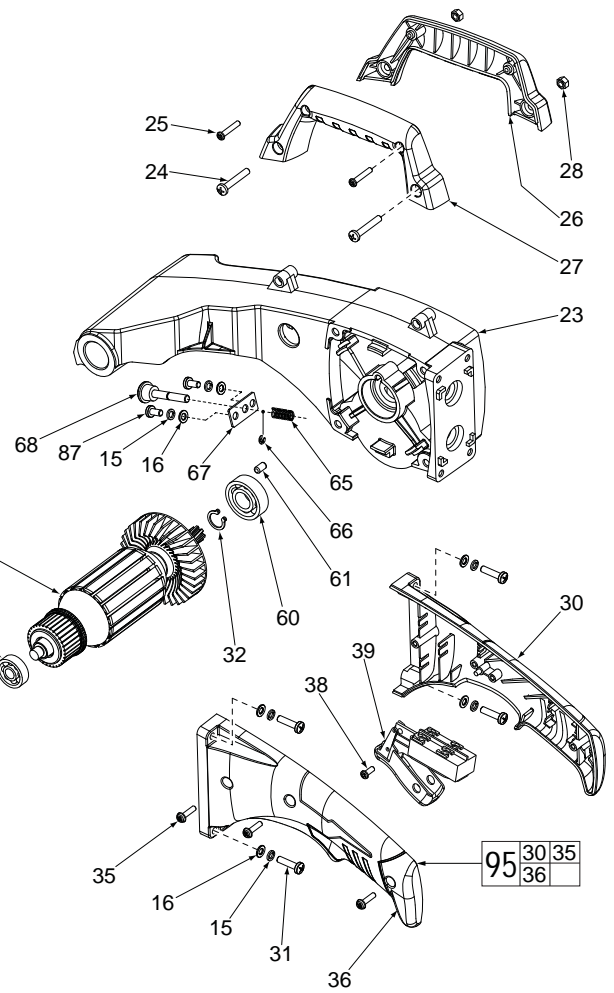


FIG.	PART NO.	DESCRIPTION OF PART	NO REQ.
	45	18-70-0185 120 V Field	(1)
	46	16-70-0195 120 V Armature	(1)
	47	02-04-0016 Ball Bearing	(1)
	48	45-22-0725 Bearing Sleeve	(1)
	49	31-50-0025 Motor Housing	(1)
	50	45-89-8495 6mm Flat Washer	(4)
	51	05-90-0185 6mm Spring Washer	(4)
	52	05-81-0521 M6 x 60 Pan Hd. Screw	(4)
	53	22-20-0017 Brush Holder	(2)
	54	22-16-0036 120 V Brush	(2)
	55	22-24-0027 Brush Cap	(2)
	56	05-81-0476 M5 x 13 ST Screw	(2)
	57	31-15-0515 End Cap	(1)
	58	05-81-0495 M5 x 8 Set Screw	(2)
	59	05-81-0681 M5 x 80 ST Screw	(2)
	60	02-04-0026 Ball Bearing	(1)
	61	44-60-1900 Rubber Pin	(1)
	62	22-64-1432 120 V Power Cord	(1)
	63	44-76-0061 Cord Protector	(1)
	64	42-68-0910 Cord Clamp	(1)
	65	40-50-0135 Lock Pin Spring	(1)
	66	34-60-0015 Retaining Ring	(1)
	67	42-36-0056 Plate	(1)
	68	44-60-0061 Lock Pin Assembly	(1)
	87	05-81-0431 M5 x 10 Screw	(2)
	95	14-46-3200 Operating Handle Kit	(1)
	112	23-48-0105 Insulation Sleeve	(1)

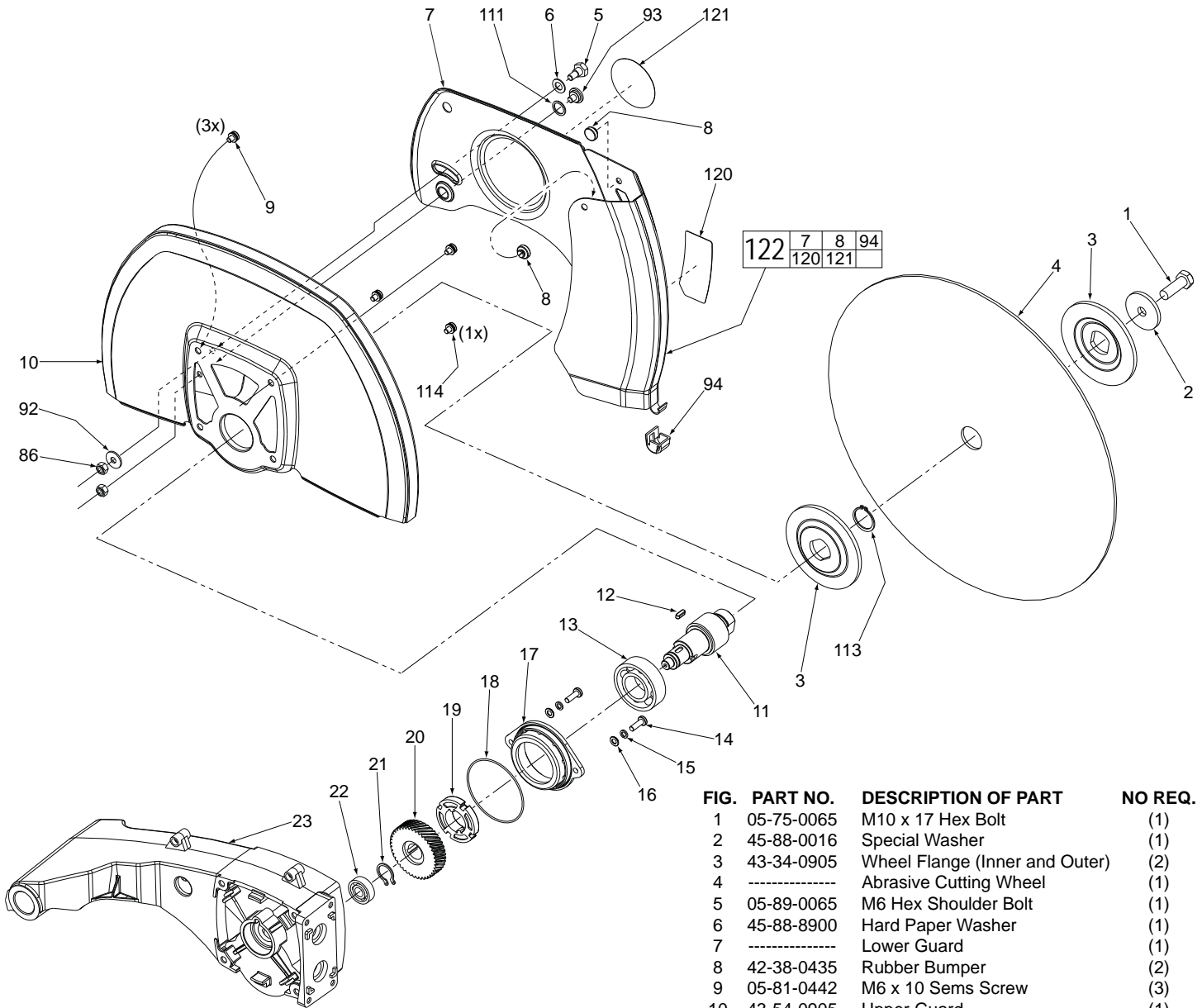


FIG.	PART NO.	DESCRIPTION OF PART	NO REQ.
	1	05-75-0065 M10 x 17 Hex Bolt	(1)
	2	45-88-0016 Special Washer	(1)
	3	43-34-0905 Wheel Flange (Inner and Outer)	(2)
	4	----- Abrasive Cutting Wheel	(1)
	5	05-89-0065 M6 Hex Shoulder Bolt	(1)
	6	45-88-8900 Hard Paper Washer	(1)
	7	----- Lower Guard	(1)
	8	42-38-0435 Rubber Bumper	(2)
	9	05-81-0442 M6 x 10 Sems Screw	(3)
	10	43-54-0905 Upper Guard	(1)
	11	38-50-0056 Spindle	(1)
	12	05-42-0016 4 x 4 x 12 Key	(1)
	13	02-04-0046 Ball Bearing	(1)
	14	05-81-0120 M5 x 20 Pan Hd. Screw	(2)
	15	05-90-0190 5mm Spring Washer	(2)
	16	45-88-8485 5mm Flat Washer	(2)
	17	43-34-0900 Bearing Flange	(1)
	18	34-40-0090 O-Ring	(1)
	19	42-74-0063 Wheel Lock	(1)
	20	32-75-0016 Gear	(1)
	21	05-92-0056 Retaining Ring	(1)
	22	02-04-0036 Ball Bearing	(1)
	23	28-50-0020 Upper Arm	(1)
	86	05-55-0125 M6 Nut	(2)
	92	45-88-8910 M6 Special Washer (Flat)	(1)
	93	05-89-0080 M6 Shoulder Screw	(1)
	94	42-52-0040 Lower Guard Cap	(1)
	111	45-88-8925 Washer	(1)
	113	34-60-0018 Retaining Ring	(1)
	114	05-81-0441 M6 x 18 Sems Screw	(1)
	120	10-20-7301 Lower Guard Label	(1)
	121	10-15-6176 Round Lower Guard Label	(1)
	122	43-54-0901 Lower Guard Assembly	(1)
	49-08-5270	Type 'Y' Grease (6 oz. Tube)	(1)
		(23-27 grams, approx. 7/8 oz. needed)	