

# Adjustable height stand

## 24 1/2" to 31 1/2"

**ITEM**  
#EX-21BS



www.general.ca

FOR EXCALIBUR EX-16 & EX-21 SCROLL SAWS

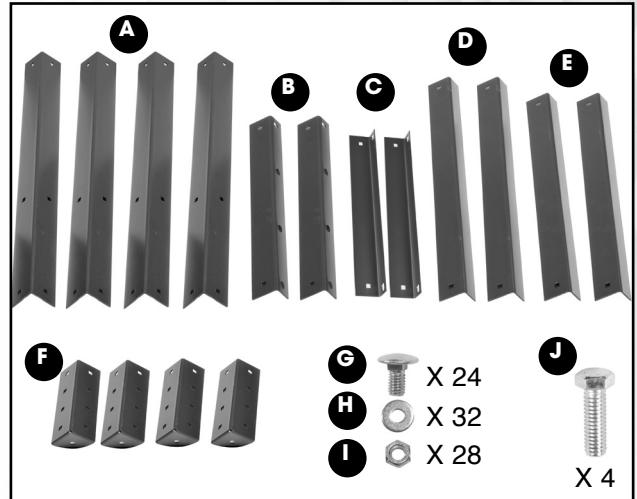
### UNPACKING

**NOTE:** Please report any damaged or missing items to your General International distributor immediately.

#### LIST OF CONTENTS

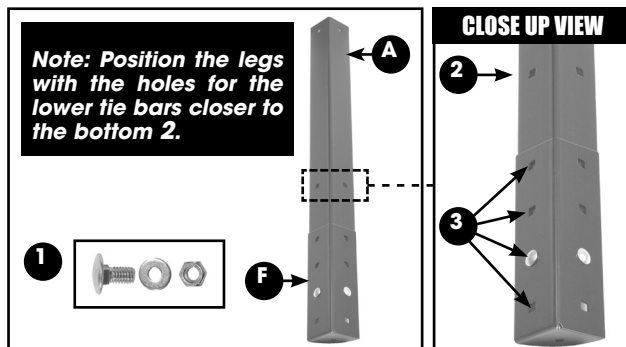
QTY

A- LEGS.....	4
B- LONG TIE BAR.....	2
C- SHORT TIE BAR.....	2
D- TOP LONG SHELF.....	2
E- TOP SHORT SHELF.....	2
F- ADJUSTABLE LEG EXTENSION.....	2
G- CARRIAGE BOLT (for stand assembly).....	24
H- WASHER.....	32
I- HEX NUT.....	28
J- HEX BOLT (to attach scroll saw to stand).....	4



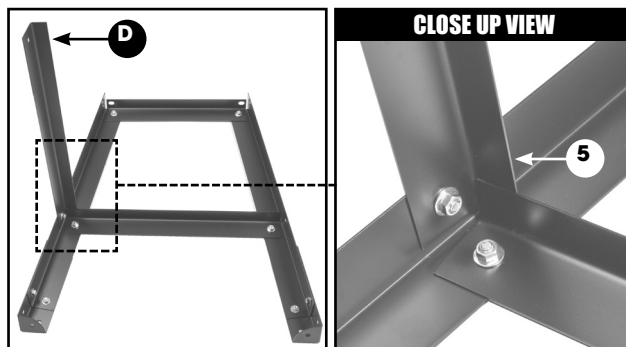
### ASSEMBLY INSTRUCTIONS

**Note:** Do not fully tighten the stand bolts until after you have fastened the scroll saw to the stand.

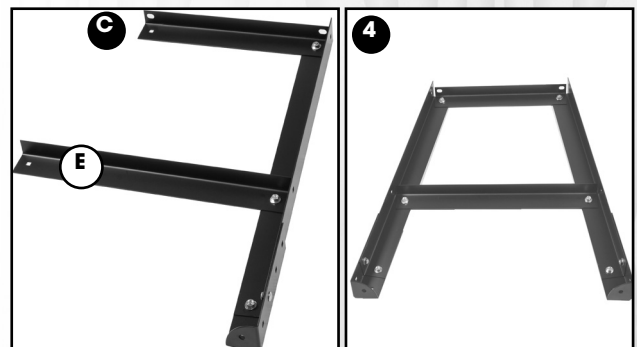


1. Attach an adjustable leg extension **F** to each leg **A** using two carriage bolts with washers and nuts **I**, as shown.

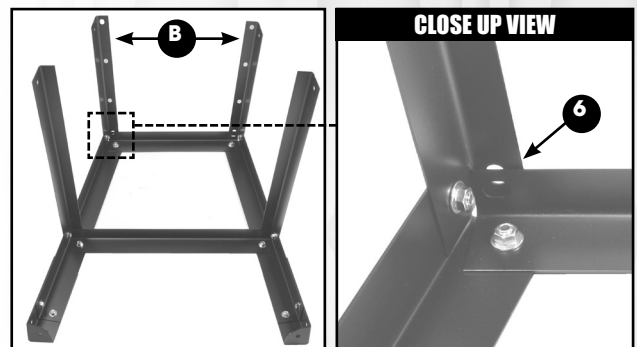
**Note:** Select the hole **3** that comes closest to the desired height for your saw.



4. Attach a long tie bar **D** with its edge sitting over the short tie bar edge as shown in **5**, then attach the second long tie bar.



2. Attach one top short shelf **C** and short tie bar **E** to one leg as shown, then attach a second leg, **4**.
3. Repeat with the second pair of legs.



5. Attach the two top long shelves **B**, with their edges sitting over the top short shelf as shown in **6**.

# Adjustable height stand

## 24 1/2" to 31 1/2"

**ITEM**  
#EX-21BS



www.general.ca

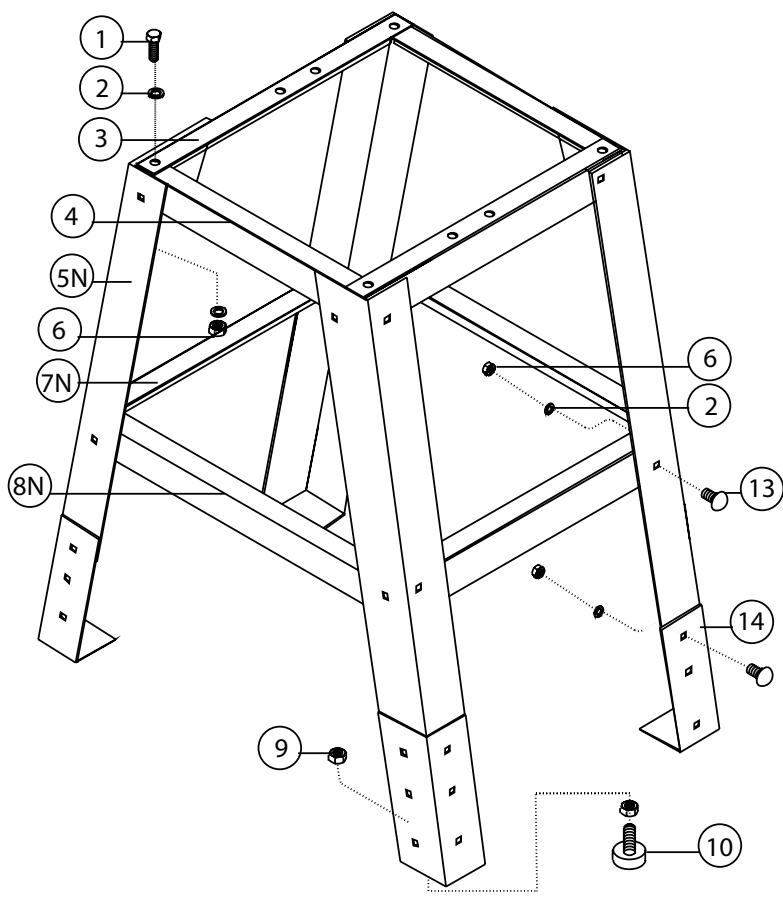
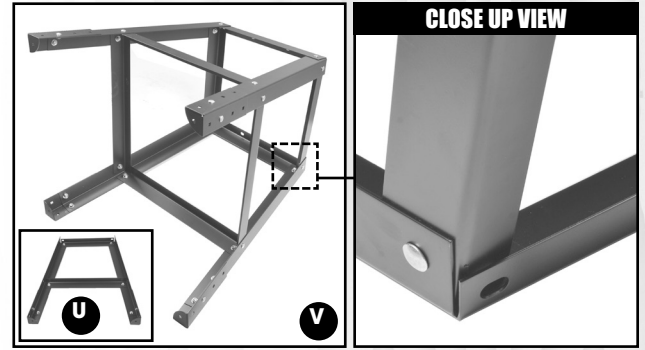
### ASSEMBLY INSTRUCTIONS (CONTINUED)

6. Flip the assembly on one side, then attach the remaining sub-assembly **U** as shown in **V**.

7. Attach the leveling feet supplied with your saw to the bottom of the stand legs (see parts diagram below, parts # 9,10) and level the stand.

**Note: See warning regarding leveling in your scroll saw manual.**

8. Attach your EX-16 or EX-21 scroll saw to the stand using the 4 supplied hex bolts with 2 washers and a nut as shown below (#1, 2, 3 and 6), then firmly tighten all bolts.



### PARTS LIST - EX-21BS

PART NO.	DESCRIPTION	SPECIFICATION	QTY	PART NO.	DESCRIPTION	SPECIFICATION	QTY
EX21-S01	HEX BOLT	5/16" -18UNC X 1"	4	EX21-S07	SHORT TIE BAR		2
EX21-S02	WASHER	5/16"	32	EX21-S08	LONG TIE BAR		2
EX21-S03	TOP SHORT SHELF		2	EX21-S09	NUT (INCLUDED WITH MACHINE)	3/8"	8
EX21-S04	TOP LONG SHELF		2	EX21-S10	LEVELING FOOT (INCLUDED WITH MACHINE)	3/8"	4
EX21-S05N	LEG		4	EX21-S13	CARRIAGE BOLT	5/16"	24
EX21-S06	HEX NUT	5/16"	28	EX21-S14	ADJUSTABLE LEG EXTENSION		4