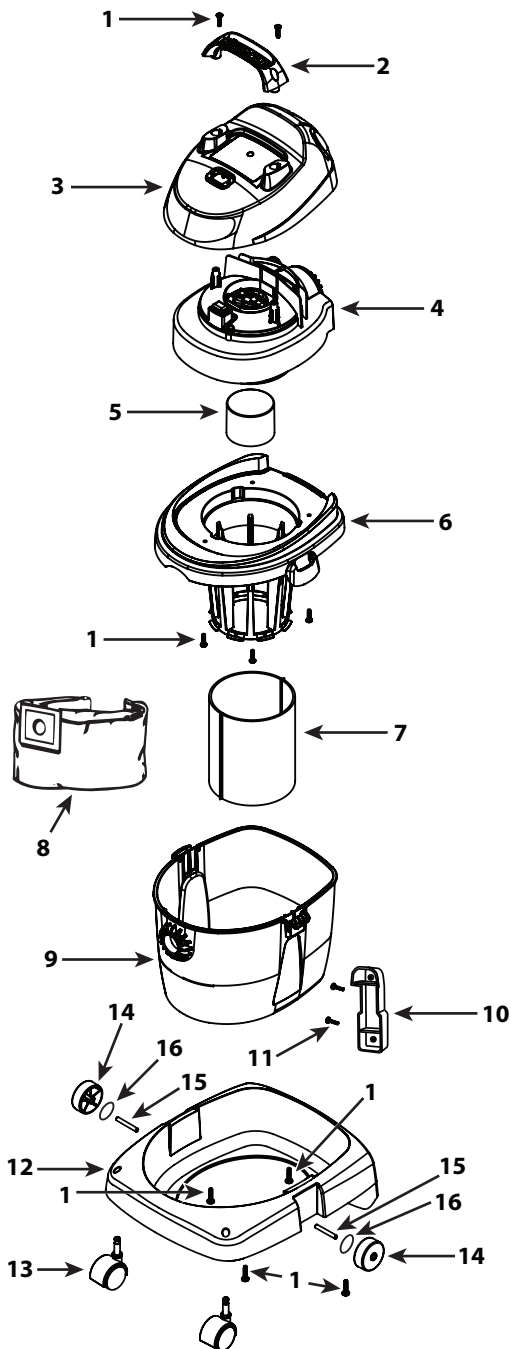


J Series

Model J200A



ITEM	DESCRIPTION	PART NO.
1	Screw 10 X 3/4" Trilobe, Twin Lead	1516599
2	Handle	4510800
3	Motor Cover	4510750
4	Power Unit Assembly	1944574
5	Float	3545000
6	Lid Cage Assembly	1944741
7	Foam Sleeve	90585
8	Collection Bag	90667
9	Tank Assembly	1060097
10	Wall Bracket	4510910
11	Screw #10 x 1 SLT Pan HD Type AB	1501199
12	Dolly**	4512811
13	Caster	6774210
14	Wheel	4512200
15	Shaft	4512300
16	Flat Washer	0702199

* Replacement parts may differ from original equipment.

** Includes items 1, 13-16