



**SILVERLINE® ELITE
AUTOMOTIVE TEST KIT
MODEL MV8500**

USER'S MANUAL

Have a technical question?

If you have questions, or require technical service, please contact our trained service technicians at:

1-314-679-4200 ext. 4782

Monday – Friday 7:30 am to 4:15 pm CST

Visit our website at www.mityvac.com for new products, catalogs, and instructions for product use.

Need service parts?

To order replacement or service parts, visit us online at www.mityvacparts.com or call toll free 1-800-992-9898.



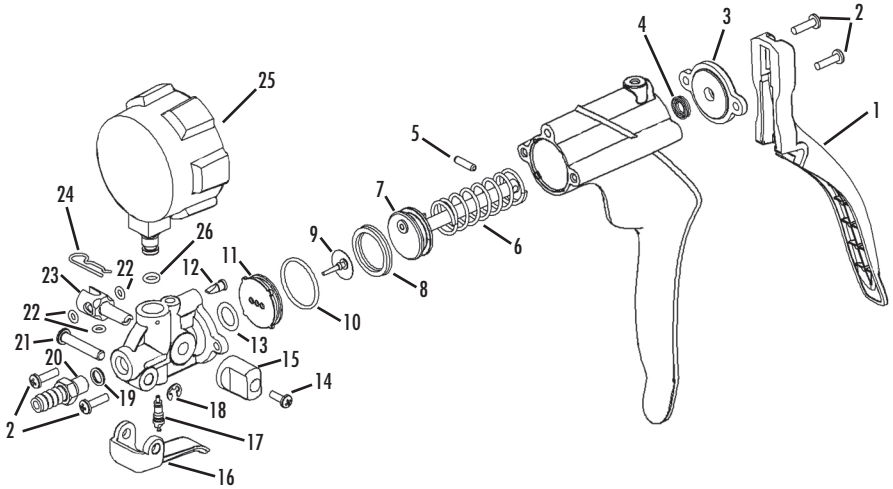
CAUTION: Never exceed the rated pressure of the gauge, as this can cause loss of accuracy and permanent damage.

Patent Pending

CONTENTS

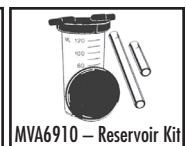
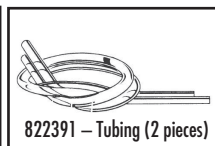
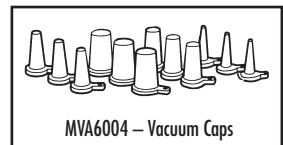
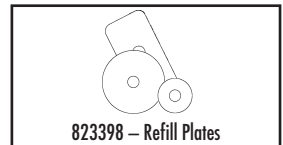
Service Parts & Accessories	3
The Pump	4
The Automotive Vacuum System	5
Diagnosing Mechanical Engine Conditions	7
Positive Crankcase Ventilation System	9
Fuel Pressure Regulator	10
Turbocharger Wastegate	12
Exhaust Gas Recirculation (EGR)	13
Spark Delay Valves (SDV)	17
Electrical/Vacuum Solenoid	18
Thermal-Controlled Vacuum Switching Valves	18
Automatic Fluid Refill Kit	20
Brake Bleeding	21
Spanish Section	25
French Section	51
Warranty	76

SERVICE PARTS & ACCESSORIES



PUMP SERVICE KITS

	801330	MVM8900	MVA6176	801333	801334	801335	801336
1	X						
2		X					
3					X		
4		X					
5		X					
6		X					
7		X					
8		X					
9		X					
10		X					
11						X	
12		X					
13		X					
14		X					
15		X					
16				X			
17		X					
18				X			
19							X
20							X
21				X			
22		X					
23		X					
24			X				
25			X				
26			X				



THE PUMP

The vacuum/pressure pump is an extremely versatile service tool that can be used to test a variety of automotive systems and perform a number of useful tasks. Though the pump has obvious uses for testing various vacuum motors, control valves and vacuum sources, its applications don't end there. Almost any part or system that requires proper sealing, pressure or vacuum to operate can be tested with the vacuum pump. The pump and its accessories also transfer fluids, help to bleed brakes and aid in other tasks. The pump also meets diagnostic tool requirements when such tools are specified for some state vehicle inspection programs.

This section will describe the pump, give specifications, tell how to use the pump and provide some service tips to help you keep your pump in tip-top-shape.

DESCRIPTION

The hand-held vacuum/pressure pump is simple, accurate, easy to use, and has many applications. It consists of a pump body, moveable handle, compound vacuum/pressure gauge, vacuum/pressure converter switch, and connection fitting. The pump is easily held in your hand, and when the handle is squeezed, either vacuum or pressure is produced at the front fitting. If the front fitting of the pump is connected to a closed container or system, the gauge will show the vacuum or pressure level.

Selecting whether to have the pump produce either vacuum or pressure at the connection fitting is as simple as turning the knob located on the front left side of the pump. The vacuum/pressure valve housing is marked with "Pressure" and "Vacuum". Rotate the knob such that the arrow aligns with the desired output. Depending on the position of the knob, either vacuum or pressure is produced by squeezing the pump handle. The return of the handle has no effect on the output.

VACUUM RELEASE

The vacuum or pressure can be released by lifting up on the Release Lever. This action allows air to enter the system, thus relieving the vacuum/pressure. Vacuum/pressure will also be released when the hose is detached from the front fitting.

SPECIFICATIONS

Maximum Vacuum @ Sea Level:	Approx. 25" Hg (85 kPa)
Stroke Volume:	1 cu. in. (16cc)
Maximum Pressure:	30 psi (205 kPa)
Gauge Accuracy:	3%-2%-3% of full range

USING THE PUMP

The pump is simple to use. In most cases, it's attached directly to a component, used in place of a vacuum line or connected into a vacuum circuit with a tee connector. The pump can be operated as a test instrument in two ways:

- 1) When vacuum or pressure is desired for a test, the converter switch is turned to the desired output, and the movable handle of the pump is simply squeezed with your hand, as in clenching your fist. Continue strokes until desired vacuum or pressure is indicated on the gauge.
- 2) The pump can be connected into a vacuum or pressure circuit and used to measure existing amounts of vacuum or pressure, just as any gauge would be used. When used this way, do not pump the handle, or incorrect readings may result.

PROPER CARE

Your pump is a sturdily built, precision test instrument. Do handle it carefully! Don't drop or handle roughly as the gauge accuracy may be affected. Never exceed the rated pressure of the gauge, as this can cause loss of accuracy and permanent damage. Care for your pump and it will give you years of trouble-free service.

LUBRICATION

The factory-installed lubricant is silicone oil and should provide very long service. If you find it necessary to lubricate your pump, use silicone oil. If unavailable, you may use DOT 5 (not DOT 3) silicone-based brake fluid or a salad vegetable oil. Do not use petroleum based fluids or spray lubricants (WD-40, motor oil, etc.), as these will damage the pump.

THE AUTOMOTIVE VACUUM SYSTEM

This manual deals with vacuum and pressure, how it is used in various automotive systems and how the vacuum pump can be used to test and diagnose these systems. This section discusses what vacuum is, how it is measured, where it comes from on an automobile, the system for distributing and using vacuum, and some troubleshooting basics.

WHAT IS VACUUM?

Put simply, vacuum is empty space, and may exist as either a total or partial vacuum. Vacuum does not, of itself, create power. Rather, power for vacuum devices depends on the presence of atmospheric pressure. The atmosphere exerts a pressure of 14.7 pounds per square inch (psi) on everything at sea level. If a portion of the air is removed from one side of a diaphragm (partial vacuum), the atmospheric pressure will exert a force on the diaphragm. The force is equal to the pressure difference times the diaphragm area (FIGURE 1). Generally, the less air (greater vacuum) in a given space, the more the atmosphere tries to get in and the more force is created.

HOW IS VACUUM MEASURED?

In the United States, vacuum is commonly measured in inches of Mercury (" Hg). It may also be measured in centimeters of Mercury (cm Hg) and kiloPascals (kPa). Atmospheric pressure will support a column of Mercury in a manometer gauge about 30 inches high or about 76 cm high. This is the barometric pressure in " Hg which varies as the weather changes. Vacuum readings in " Hg are really negative pressure readings. For example, 30" Hg vacuum would be a complete vacuum. Half of a complete vacuum would be 15" Hg. A gasoline engine at idle usually pulls about 16-22" Hg vacuum. On deceleration, because the throttle is closed, the vacuum will increase. The pump will pull about 25" Hg as indicated on its vacuum gauge which is calibrated in both " Hg and kPa.

WHY ENGINES CREATE VACUUM

Vacuum is created when air is withdrawn from a given volume, or a sealed volume is increased. That is why vacuum is available in an engine. On the intake stroke, the piston moves down, this creates a partial vacuum because the volume of the

cylinder is increased. Air cannot rush through the intake system fast enough to totally fill the space created when the piston moves down (FIGURE 2). This is the most common automotive vacuum supply source.

GASOLINE VS. DIESEL VACUUM

Because a diesel engine does not produce as much vacuum as a gasoline engine, a mechanical vacuum pump must be employed to operate vacuum devices. The pump is useful in testing devices on both types of engines.

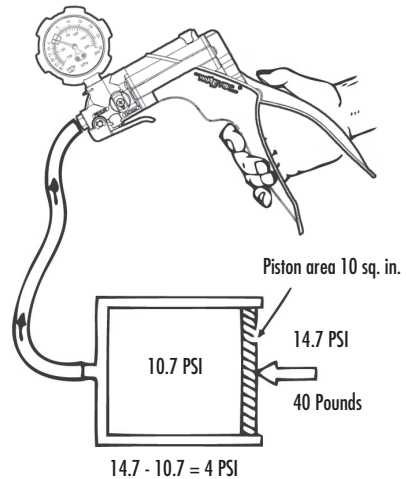


FIGURE 1:
VACUUM VS. ATMOSPHERIC PRESSURE

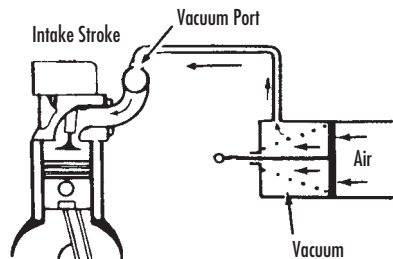


FIGURE 2: THE ENGINE AS A VACUUM SOURCE

THE AUTOMOTIVE VACUUM SYSTEM

VACUUM DISTRIBUTION

All modern automobiles have a vacuum distribution system (FIGURE 3), consisting of lines, hoses, fittings and vacuum devices. This system must be leak proof. If it is not, the engine air/fuel mixture will be leaned out by the extra air entering the system through the leaks, thus causing problems such as burned exhaust valves, uneven idle, stalling, pre-ignition, burned spark plugs, etc. Additionally, any vacuum operated device affected by the vacuum leak will not function properly.

A normal gasoline engine should develop 16-22" Hg of intake manifold vacuum at idle. This is an indication that the engine is breathing properly. If the vacuum is lower, the engine is running less efficiently. The lower the manifold vacuum, the less efficiently the engine is running and the lower the gas mileage will be.

The vacuum distribution system supplies vacuum to vacuum motors (servos) in the air conditioning, power brake booster, speed control servo, emission controls, manifold absolute pressure (MAP) sensor, and automatic transmission control systems. In older vehicles, vacuum is also supplied to the distributor vacuum advance or retard mechanism. These devices can be connected directly to manifold vacuum, or can be controlled through electric solenoids, thermostatic switches, or other vacuum controls.

TROUBLESHOOTING THE VACUUM SYSTEM

Most vacuum problems can be traced to leaks, which occur in hoses, connectors, motor diaphragms or valves. Pinched lines or clogged valves will also not allow vacuum flow. Problems can also be traced to improper mechanical operation of devices driven by vacuum motors.

The vacuum pump can be used to measure the amount of vacuum in a hose. The vacuum gauge feature is very useful for detecting a fluctuating vacuum supply or a leaky hose. The vacuum pump feature enables you to check all types of vacuum operated devices.

On a vacuum motor, for example, the pump is used to evacuate the diaphragm chamber, which allows you to check the mechanical operation of the device as well as the amount of vacuum required to actuate it. Test for a leaking diaphragm by applying 10" Hg vacuum to the device (FIGURE 4). Observe the gauge to see if the needle drops after the actuator stops moving. If the needle continues to drop, a leaking diaphragm is indicated. If the diaphragm is okay, the vacuum should hold for one minute with the needle steady.

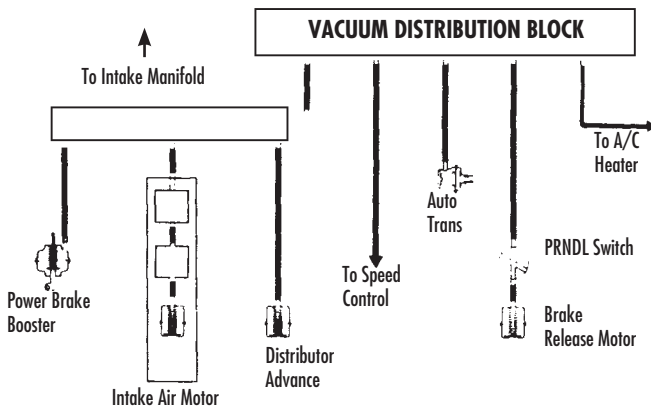


FIGURE 3: TYPICAL VACUUM DISTRIBUTION SYSTEM

THE AUTOMOTIVE VACUUM SYSTEM

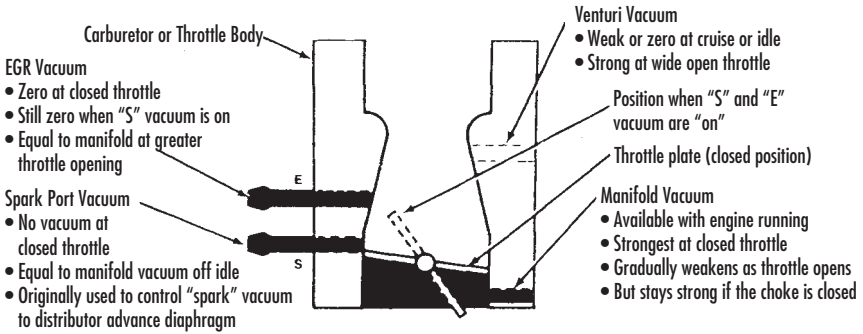


FIGURE 4: TYPICAL CARBURETOR VACUUM SUPPLY POINTS

DIAGNOSING MECHANICAL ENGINE CONDITIONS

VACUUM GAUGE CHECKS & DIAGNOSIS

The pump's vacuum gauge readings give indications of possible mechanical problems, but they are not foolproof. Observe the gauge carefully and follow the vacuum readings with further tests, where possible, to confirm your diagnosis.

Do not look for the engine to produce specific (numerical) amounts of vacuum. Much more important than specific numbers, are the range of the vacuum readings and the movement of the needle (FIGURE 5). Important things to notice about the needle movement are HOW the needle moves (in a smooth or jerky manner, erratic, etc.), what direction it moves, whether movement is regular or varying, and how far the needle moves.

The following gives some examples of what to look for and the meanings of a variety of vacuum gauge readings.

NORMAL ENGINE

Run engine at idle and connect the pump to an intake manifold vacuum port. Watch the needle's movement on the gauge. At idle, the vacuum gauge reading should be 16-22" Hg and steady.

BURNED OR LEAKING VALVE

At idle, burned or leaking valves will cause the pointer on the gauge to drop to a low reading and

return to normal at a regular interval. The needle will drop from 1 to 7" Hg at regular intervals whenever the defective valve attempts to close.

STICKING VALVE

A sticking valve will exhibit a rapid, intermittent drop from the normal pointer indication. This is unlike the regular drop that characterizes a burned or leaking valve.

A sticking valve condition may be pin-pointed by directly applying lightweight oil to each valve guide. When the sticking valve is reached, the situation will be temporarily remedied.

WEAK OR BROKEN VALVE SPRING

Weak valve springs are indicated when the pointer of the vacuum pump gauge fluctuates rapidly between 10" and 21" Hg at idle. The fluctuations will increase with engine speed. A broken valve spring will cause the needle to fluctuate rapidly at a regular interval. Again, this will occur every time the valve attempts to close.

WORN VALVE GUIDES

Worn valve guides admit air which upsets the air/fuel mixture. The vacuum gauge reading will be lower than normal and will fluctuate rapidly in a range of about 3" Hg. As the speed of the engine is increased, the needle will steady.

DIAGNOSING MECHANICAL ENGINE CONDITIONS

LEAKING PISTON RING

Vacuum at idle will be low but steady at about 12 to 16" Hg. Open the throttle and allow the engine to pick up speed to about 2000 RPM, and then close the throttle quickly. The pointer should jump 2 to 5" Hg above its low steady reading. A lesser gain may indicate faulty rings, and a complete cylinder leakage or compression test should be done.

BLOWN CYLINDER HEAD GASKET

At idle, the vacuum pump gauge pointer will fluctuate between normal and a low reading. The needle will drop sharply about 10" Hg from a normal reading and return each time the defective cylinder or cylinders reach firing position.

EXHAUST RESTRICTION TEST

An exhaust restriction will cause normal or near normal performance at engine idle, but cause very poor engine performance under load or at higher speeds.

1) Connect the pump hose to an intake manifold vacuum fitting. Operate the engine at idle and note the vacuum reading and needle movement. Compare readings and movements against descriptions listed for burned valves and late ignition or valve timing.

2) Watch the vacuum gauge as engine speed is increased to approximately 2500 RPM.

3) An increase in vacuum over that obtained at idle indicates an exhaust system that is free of restrictions.

4) If the needle drops toward zero as engine RPM is increased, either an exhaust restriction or an over-active Exhaust Gas Recirculation (EGR) valve is causing the problem.

5) Test the EGR valve separately. If it is found to be in good condition, the problem is a restricted exhaust. Check and replace if necessary.

INCORRECT IDLE AIR/FUEL MIXTURE

If the gauge needle drifts slowly back and forth at idle, over a range of 4 to 5" Hg, the fuel mixture is too rich. A lean mixture will cause an irregular drop of the needle over about the same range.

INTAKE MANIFOLD OR AIR INDUCTION LEAKS

If there are any air leaks in the air induction system, the gauge needle will be about 3 to 9" Hg below normal, but will remain steady.

LATE IGNITION OR VALVE TIMING

An extremely low but steady reading at idle indicates late ignition or valve timing, or a uniformly close setting of the valve lash. Perform separate tests to determine which of these problems, if any, have affected the engine.

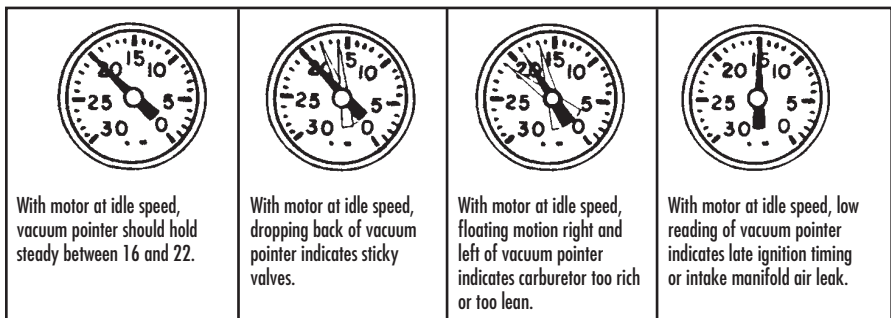


FIGURE 5: VACUUM GAUGE READINGS

POSITIVE CRANKCASE VENTILATION SYSTEM

SYSTEM OPERATION

The Positive Crankcase Ventilation (PCV) system is used on all modern engines to reduce air pollution by providing a more complete scavenging of crankcase vapors. Air is drawn through a filter located in the air cleaner, through a hose in the valve cover, into the crankcase, across and up into the rear of the intake manifold or opposite valve cover, through the PCV valve, through a hose, into the intake manifold. Intake manifold vacuum draws in all vapors from the crankcase to be burned in the engine.

When air flow through the carburetor or throttle body is high, added air from the PCV system has no effect on engine operation. However, at idle, air flow through the carburetor or throttle body is so low that any large amount added by the ventilation system would upset the air/fuel mixture, causing a rough idle. For this reason, the PCV valve restricts the ventilation system flow when intake manifold vacuum is high.

SERVICE PROCEDURES

After a period of operation, the PCV valve may become clogged and reduce the amount of crankcase ventilation. The PCV valve should be replaced periodically to prevent the formation of acids in the crankcase, and the build up of excessive crankcase pressure, which could force engine oil out past the seals. Use the following procedure to check the PCV system using your pump:

- 1) Inspect the system for kinked, plugged or deteriorated hoses. Check to be sure all hoses are connected properly. Repair as necessary.
- 2) Connect your pump to an intake manifold port and check the vacuum reading of the warmed and idling engine.
- 3) Clamp off the vacuum hose to the PCV valve. The engine speed should decrease 100 RPM to indicate the loss of the calibrated air leak into

the intake manifold. The vacuum gauge reading should increase slightly, indicating that the vacuum leak has been plugged. If this does not happen, replace the PCV valve and/or replace any damaged, plugged or loose hoses.

- 4) If the engine is idling too slow or is rough, this may be caused by a clogged PCV valve or hose. Do not adjust the idle speed without first checking the PCV system.
- 5) After installing a new PCV valve, always adjust the idle speed, and if possible, the idle air mixture. The installation of the wrong valve may cause too much vapor to flow through the system if the calibrated bleed is too large. This will lean out the air/fuel mixture excessively. If the opening is too small, the plugging effect will be nullified, emissions will increase, acids will form and oil leaks may develop. Be sure you get the correct PCV valve for your car.

FUEL PRESSURE REGULATOR

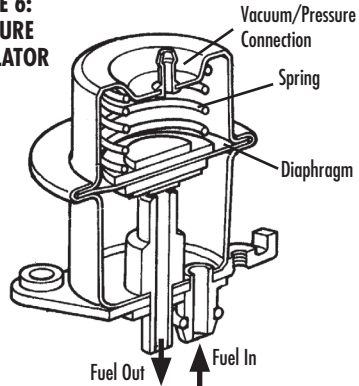
SYSTEM OPERATION

Fuel pressure regulators are used to maintain fuel pressure at a steady level, consistent with the requirements of the engine. Automotive manufacturers employ different methods for controlling fuel pressure. Most utilize a mechanical spring and diaphragm style pressure regulator such as the one shown in figure 6. Mechanical regulators most often utilize engine vacuum and/or pressure to vary fuel pressure in response to immediate engine requirements. A vacuum or vacuum/pressure pump with appropriate gauge is required to properly diagnose these types of regulators.

Vacuum/pressure controlled fuel pressure regulators are commonly mounted on or immediately after the fuel rail, and inline with the flow of fuel. When the fuel pump is not operating, the spring causes the diaphragm to close so that no fuel can pass. Once the fuel pump is activated, the pressure it produces begins to overcome the spring force and the diaphragm opens to allow fuel to flow. The spring and diaphragm maintain a constant pressure on the flow of fuel. This creates back-pressure in the fuel system, which is commonly referred to as "fuel pressure". The job of the fuel pressure regulator is to maintain the "fuel pressure" at a level specified by the vehicle manufacturer.

A vacuum/pressure-modulated fuel pressure regulator is connected to the intake manifold by a small hose. Vacuum from the manifold assists the spring in opening the diaphragm. When a load is placed on the powertrain, engine vacuum drops. This drop in vacuum causes the diaphragm to increase the resistance to fuel flow. The additional resistance increases the fuel pressure to the injectors to compensate for the higher fuel demand of the engine. On forced-air induction systems (turbochargers/superchargers), the boost pressure created in the manifold functions the opposite of the vacuum produced in normally aspirated systems. Under boost conditions, the pressure in the manifold causes the regulator to increase fuel pressure, resulting in a richer fuel mixture.

**FIGURE 6:
PRESSURE
REGULATOR**



SERVICE PROCEDURES

Visual Inspection

- 1) Consult the vehicle's service manual to determine if the pressure regulator is vacuum/pressure modulated, and to identify its location.
- 2) Inspect the exterior of the pressure regulator for fuel leaks, and the vacuum hose for visible damage or cracks. Replace if necessary.
- 3) Disconnect the vacuum hose from the fuel pressure regulator.
- 4) Check inside the hose for liquid fuel. If present, replace the regulator. If not present, reconnect the vacuum hose.

Diagnostics

- 5) Install a fuel pressure tester.
- 6) Start the engine and allow it to idle.
- 7) Disconnect the vacuum line from the fuel pressure regulator.
- 8) Fuel pressure should increase 8 to 12 psi when the line is disconnected. No change would indicate a faulty regulator, or leaky or plugged vacuum line.
- 9) Connect the vacuum pump to the vacuum hose extending from the manifold.

FUEL PRESSURE REGULATOR

10) The pump gauge should indicate 16-22" Hg. Consult the vehicle's service manual for a more accurate specification. No reading or a low reading would indicate a leaky or plugged vacuum line, or more serious engine problem.

11) Disconnect the vacuum pump from the vacuum line, and plug the line temporarily. Connect the pump to the vacuum port on the regulator.

12) Use the pump to apply vacuum to the regulator while watching the gauge on the fuel pressure tester.

13) Fuel pressure should increase one pound for every two inches of Hg vacuum applied to the regulator. If not, replace the fuel pressure regulator.

Turbochargers and Superchargers

14) For forced-air induction systems (turbochargers and superchargers) switch the pump from "Vacuum" to "Pressure" without disconnecting it from the regulator.

15) Use the pump to apply pressure to the regulator while watching the gauge on the fuel pressure tester.

16) Fuel pressure should increase one pound for every one pound of pressure applied to the regulator. If not, replace the fuel pressure regulator.

TURBOCHARGER WASTEGATE

SYSTEM OPERATION

The turbocharger wastegate (exhaust bypass valve) limits the amount of boost (intake manifold pressure) created by the turbo. When intake manifold pressure becomes too high, the wastegate opens to allow some exhaust to bypass the turbo. This reduces the turbo boost.

Most turbo wastegate actuators operate using a mechanical spring and diaphragm design. Under normal operating conditions, the spring holds the wastegate valve closed, and all exhaust is directed to the turbocharger. A small tube connects the wastegate actuator to the intake manifold or turbo air outlet. When boost pressure becomes too high, it pushes against the diaphragm until it overcomes the spring force, causing the wastegate to open.

Testing the function of the wastegate and wastegate actuator involves attaching the Mityvac hand pump to wastegate and applying pressure.

SERVICE PROCEDURES

Follow the procedures below to diagnose a turbo- or super-charger wastegate and actuator:

Cold Test for Visual Movement

- 1) Locate the wastegate actuator, and inspect it for damage. Check the pressure hose for visible leaks or cracks. Replace if necessary.
- 2) Disconnect the pressure hose from the wastegate actuator and connect the Mityvac hand pump in its place.
- 3) Use the pump to apply pressure according to the manufacturer's specification.
- 4) Watch for the control rod to move and then hold its position.
- 5) If the rod doesn't move or hold its position, or if the pressure leaks down as indicated by the gauge on the hand pump, replace or repair the wastegate actuator.
- 6) If no leak is found, disconnect the actuator rod and move the wastegate flapper lever to determine if it is stuck or seized.

7) If it does not move freely, the wastegate should be replaced or repaired.

Idle Test

- 8) Start with the exhaust system cold.
- 9) Disconnect the pressure hose from the wastegate actuator and connect the Mityvac hand pump in its place.
- 10) Start the engine and allow it to idle.
- 11) After a short time, the exhaust inlet to the wastegate should warm up, but the bypass line out of the wastegate should remain cool.
- 12) If the bypass line heats up at this point, exhaust is leaking past the wastegate, and the wastegate should be replaced or repaired.
- 13) Use the pump to apply pressure to open the wastegate according to the manufacturer's specification.
- 14) Feel the bypass line. It should begin to warm up as the wastegate opens.
- 15) If not, the wastegate is stuck closed and should be replaced or repaired.
- 16) Once testing is complete, bleed the pressure from the pump and watch for the wastegate to close.

Bench Testing

A Mityvac hand pump should be used to bench test the turbocharger wastegate, and adjusting the control arm after replacement or repair. Follow the manufacturer's procedures for performing these precision tests and adjustments.

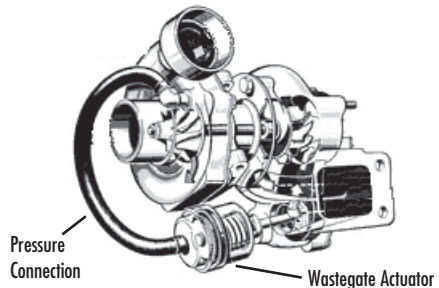


FIGURE 7: TURBOCHARGER

EXHAUST GAS RECIRCULATION (EGR)

An Exhaust Gas Recirculation (EGR) system is used on most modern engines to reduce Oxides of Nitrogen (NO_x) emissions. During the combustion process, nitrogen, which makes up 80 percent of the air, will mix with oxygen at temperatures above 2,500°F. During the combustion process, temperatures in the cylinders go well above 3,500°F providing the ideal conditions for the formation of NO_x.

SYSTEM OPERATION

To reduce the formation of NO_x, it is necessary to lower the combustion temperature. This is most often done by introducing exhaust gases back into the combustion chamber through the use of an EGR valve. The EGR valve (FIGURE 8) may be operated by ported vacuum from above the throttle plates, or by a sophisticated control system that modulates the amount of EGR depending on the temperature of the coolant, ambient air temperature, engine speed or load.

An EGR valve that does not have a sophisticated control system must be fully closed with a vacuum of less than 2" Hg and begin to open with 2 to 8.5" Hg of vacuum. At idle and wide-open throttle, the ported vacuum supply is low and the valve should be closed.

Some cars have a Back-Pressure Transducer Valve (BPV) to modulate the operation of the EGR system. Some cars have a Venturi Vacuum Amplifier (VVA) to do the same job. The effect is to modulate the amount of EGR according to the load on the engine. To improve cold drivability, most cars are equipped with some type of vacuum control device to shut off EGR while the engine is cold.

EGR systems fail in two ways. Either the valve may fail due to a fault of its own, such as a ruptured diaphragm, or due to a loss of control vacuum. Always check whether there is vacuum at the hose connected to the EGR valve, before replacing the valve. Connect the pump to the vacuum supply hose at the EGR valve and check whether at 2000 RPM there is at least 4 to 5" Hg vacuum available. Remember also that clogged exhaust passages that lead to or from the valve can restrict the flow even if the valve is opening.

An EGR valve that remains open will cause the engine to idle roughly, die at idle, and lose power and full-throttle smoothness. Dirt or damage in the valve seat area usually cause the valve to fail. An EGR valve can operate normally with the engine warm but remain open when the engine is cold. That condition could be caused by a faulty thermal switching device that does not cut off the vacuum supply when the engine is cold.

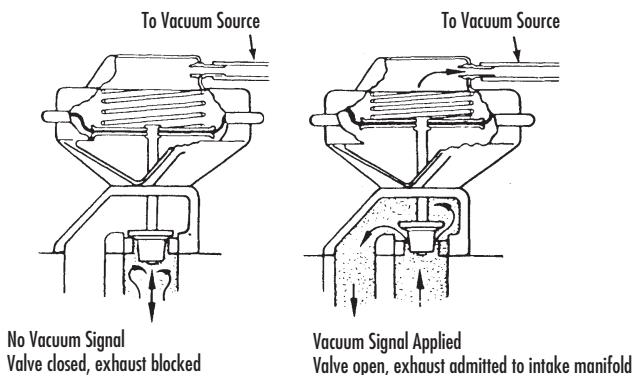


FIGURE 8: EGR VALVE OPERATION

EXHAUST GAS RECIRCULATION (EGR)

EGR SERVICE PROCEDURES/GENERAL TEST EXCEPT GM OR BACKPRESSURE CONTROLLED TYPE

If the symptoms of an engine lead you to believe that an EGR valve is staying open, follow this procedure:

- 1) Connect a tachometer to the engine and run the engine at idle speed until it reaches normal operating temperature. Use the pump to check for at least 10" Hg vacuum at the valve. Replace the hose and note the engine RPM.
- 2) Remove the vacuum hose from the valve and notice whether engine RPM increases.
- 3) If engine speed does increase, there may be some type of problem in the vacuum control circuit. Check the routing of all vacuum hoses.
- 4) If engine speed or the quality of idle changes, remove the valve and check the pintle and valve seat to make sure both are clean. If they are not, replace the valve, gasket and adapter if it is burned, warped or damaged.

If the engine symptoms lead you to believe that the EGR valve is staying closed, follow the procedure below:

- 1) Operate the engine at idle until it reaches full operating temperature. Use the pump to check for the presence of 10" Hg vacuum at the valve. Set the engine speed at approximately 2000 RPM. Plug the vacuum supply hose. Connect the vacuum pump to the EGR valve and apply 10 to 15" Hg vacuum.
- 2) The diaphragm should move to the open position and a decrease in engine RPM should be noted. If

not, the valve is defective or the manifold passages are plugged. Release the vacuum on the EGR valve.

- 3) The diaphragm should move to the closed position and an increase in engine RPM should be noted. Return the engine to idle and turn it off.
- 4) Connect the pump to the EGR valve and test by applying at least 9" Hg of vacuum to the diaphragm and watch the gauge carefully for any vacuum loss.
- 5) If the valve diaphragm does not move, or cannot hold vacuum, replace the EGR valve.

GM EGR VALVES

General Motors produces three types of EGR valves. Each valve can be identified by the design of its diaphragm plate (FIGURE 9). The first valve is a ported vacuum EGR that has only a circular rib on the back of its diaphragm plate. The second is a positive backpressure valve with X-shaped ribs that are raised only slightly above the plate. Finally, there is a negative back-pressure valve with X-shaped ribs raised well above the diaphragm plate. Both the ported vacuum and negative back-pressure valves are tested the same way. A separate test is listed to check the positive back-pressure valve.

GM PORTED VACUUM AND NEGATIVE BACK-PRESSURE EGR TEST

- 1) Make sure all vacuum hoses are routed according to the emission control label.
- 2) Check the vacuum connection to the EGR valve for obstructions.

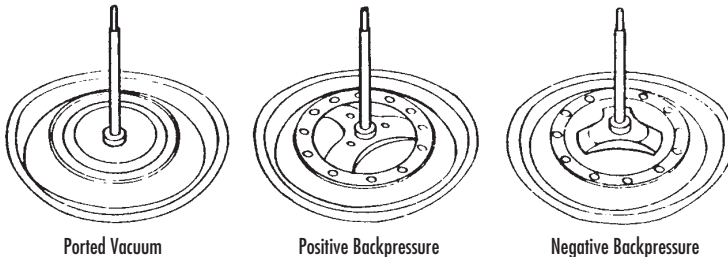


FIGURE 9: GM EGR DIAPHRAGMS

EXHAUST GAS RECIRCULATION (EGR)

3) Connect the pump between the EGR valve and the carburetor or vacuum source. Start the engine and run it at idle until it reaches operating temperature (195°F approx.). Check for vacuum at 3000 RPM; it should be 5" Hg minimum.

4) If no vacuum is available in step 3, check for it between the EGR thermal vacuum switch (TVS) and the carburetor. If the vacuum is available there, replace the TVS.

5) If the vacuum supply between the EGR and the carburetor is adequate, connect the pump to the EGR valve inlet. Depress the valve diaphragm and apply approximately 10" Hg vacuum to the EGR. Release the diaphragm and record the time it takes for the diaphragm to return to its seated position.

6) If it takes less than 20 seconds for the valve to seat, replace the valve.

GM POSITIVE BACKPRESSURE EGR TEST

1) Follow steps 1 through 4 of the ported vacuum and negative back-pressure EGR test.

2) Remove the EGR valve from the engine. Connect the pump to the EGR vacuum inlet and apply 10" Hg of vacuum. The valve should not open. If it does, replace the valve.

3) Continue the test by keeping the vacuum applied and shooting a low-pressure stream of air into the valve's exhaust inlet. The valve should now open. If it does not, replace the valve.

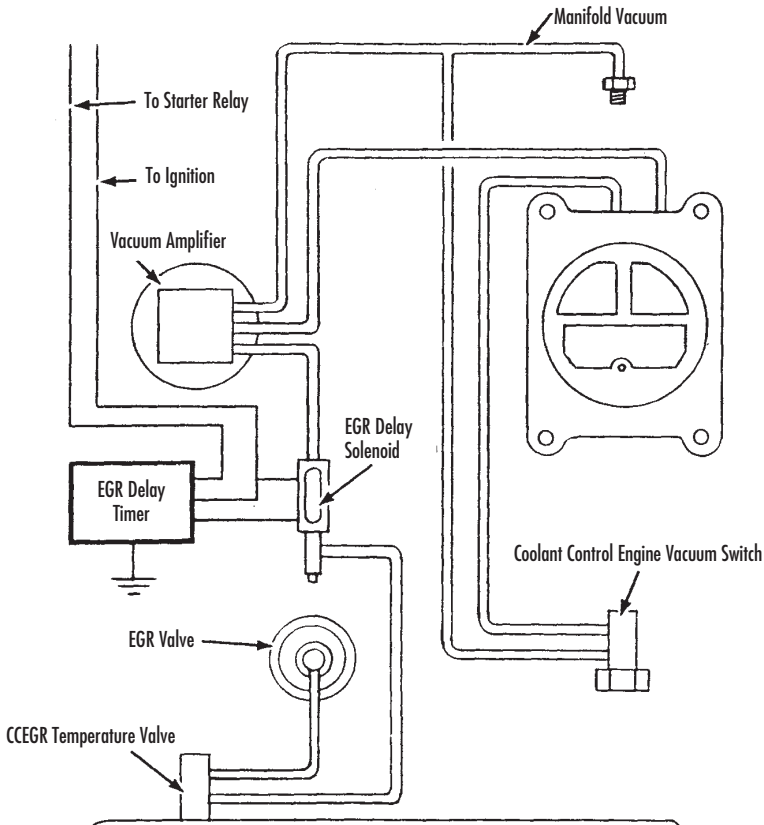


FIGURE 10: CHRYSLER VENTURI VACUUM-CONTROL EGR SYSTEM

EXHAUST GAS RECIRCULATION (EGR)

EGR VENTURI VACUUM AMPLIFIER

Some engines utilize a Venturi Vacuum Amplifier that uses the weak vacuum signal from the throat of the carburetor to allow the passage of the stronger intake manifold vacuum to operate the EGR valve. On most applications the amplifier provides a 2" Hg boost to the Venturi signal (FIGURE 10).

SERVICE PROCEDURES

1) Start the engine, and run it at idle until it reaches normal operating temperature.

2) Make sure the intake manifold hose to the amplifier is properly connected. On those systems with a reservoir, remove the hose from the reservoir and use a tee connector to join the hose to the intake manifold vacuum hose.

3) With separate lengths of hose and different connectors, bypass any and all vacuum valves or coolant controlled valves between the amplifier and the EGR valve.

4) Use a tee connector to attach the pump into the vacuum line between the amplifier and EGR valve.

5) Increase engine speed to 1500 to 2000 RPM and release the throttle. Let the engine return to idle speed and remove the vacuum hose at the carburetor venturi. The vacuum reading should be within $\pm 0.3"$ Hg of the specified boost for that amplifier if other than zero boost is specified. Zero boost may read from 0 to .5" Hg. Replace amplifier if it is out of specification.

6) Increase engine speed. Watching the vacuum gauge, release the accelerator after a speed of 1500 to 2000 RPM is reached. If the vacuum gauge reading shows an increase greater than 1" Hg during acceleration period, the amplifier should be replaced.

7) Remove the pump from the output vacuum line and reconnect the hoses, but still bypass other valves. Connect the pump and apply 2 to 4" Hg of vacuum to port on the amplifier which is normally connected to intake manifold vacuum. The EGR valve should operate and engine idle should drop or become erratic. If the EGR valve fails to move, replace the amplifier.

BACK-PRESSURE TRANSDUCER VALVE (BPV) OPERATION

The Back-pressure Transducer Valve (BPV) controls the amount of EGR according to the load on the engine. An exhaust pressure probe extends into the exhaust crossover passageway to sample the exhaust gas pressure. During light engine loads, the pressure in the exhaust passageway is relatively low, while during wide-open throttle operation (WOT), the pressure is highest. This pressure signal is transmitted to a diaphragm in the BPV and is used to control the amount of vacuum applied to the EGR valve (FIGURE 11).

SERVICE PROCEDURES

1) Remove the air cleaner and plug the intake manifold fitting. Start the engine and bring it to normal operating temperature. Position the fast-idle cam follower on the second step of the fast-idle cam (to obtain about 1500 RPM), and then note engine speed on a tachometer. Use the pump to check the source vacuum at an intake manifold port (FIGURE 12). Note this reading.

2) Tee your pump into the vacuum passageway to the BPV and the reading should be 1 to 2" Hg of vacuum. Replace the BPV if it is not within specifications.

3) Leave the vacuum gauge at this location, remove the hose to the EGR valve, and plug the hose opening. Read the vacuum pump gauge, which should be the same as the intake manifold vacuum reading. If it is not within 2" Hg of the source vacuum, replace the BPV valve.

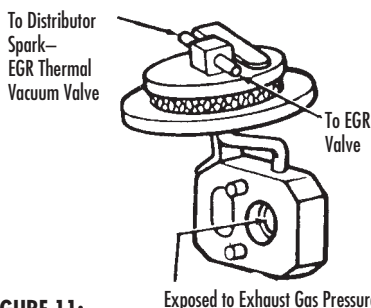


FIGURE 11:
EXHAUST BACKPRESSURE TRANSDUCER VALVE

SPARK DELAY VALVES (SDV)

OPERATION

Spark Delay Valves (SDV) are used to delay vacuum to the distributor vacuum advance actuator during hard acceleration, to delay the action of the Thermactor Air Induction Reaction (AIR) system during prolonged engine idling, and to delay the application of vacuum to the automatic choke pulldown diaphragm during cold engine operation.

A sintered metal valve is installed in the vacuum advance (outer) diaphragm of the distributor control unit on some engines. The purpose of the valve is to delay the spark advance during rapid acceleration to minimize the formation of NOx. The sintered metal is porous and allows vacuum to bleed through the valve acting like an orifice of about 0.002" in diameter. Control is obtained by varying the number of discs in each valve assembly so that the time delay features can be tailored to the engine (FIGURE 13).

SERVICE PROCEDURES

The time delay of the valve varies with engine application. The different valves may be identified by color and part number. Spark delay valves cannot be repaired and must be replaced every 12,000 miles because the pores of the sintered metal fill with dust, which can slow the performance of the valve. NOTE: The spark delay valve is a one-way unit that must be installed with the Black side facing the carburetor vacuum port.

To determine if a spark delay valve is operating correctly, the following service procedure should be used:

- 1) With the transmission in neutral, set the carburetor to the fast-idle position, remove the spark-delay valve and tee your vacuum pump into the hose leading to the carburetor spark port.
- 2) Record the vacuum reading, which should be between 10 to 16" Hg.
- 3) Pinch off the vacuum hose and observe if the gauge maintains the vacuum level. If the gauge shows that the vacuum drops with the hose pinched off, the gauge or vacuum hose has an external leak, which must be corrected.
- 4) Now, connect the black side of the spark-delay valve to the vacuum hose leading to the carburetor spark port. Connect a section of vacuum hose to your vacuum pump and attach the other end to the distributor end of the the spark delay valve. Observe the time in seconds for the gauge to reach 6" Hg, with a 10 to 16" Hg vacuum source. If the vacuum reaches the 6" Hg level in less than two seconds, regardless of type, the SDV should be replaced. When checking the valve, care must be taken to prevent oil or dirt from getting into the valve as this will impair its function.

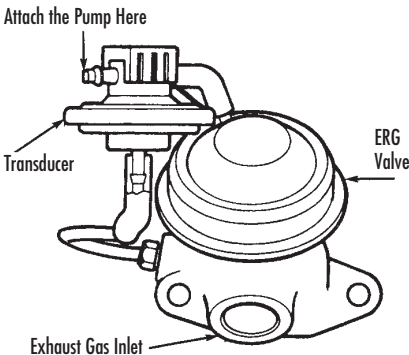


FIGURE 12: TEST THE VACUUM SOURCE FOR THE BPV WITH YOUR PUMP

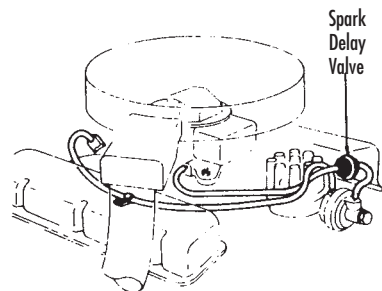


FIGURE 13: TYPICAL SPARK DELAY VALVE

ELECTRICAL / VACUUM SOLENOID

SERVICE PROCEDURES

1) Disconnect vacuum and electrical connectors from the solenoid. Connect the pump to port "B" and attempt to apply vacuum with pump. Vacuum should be released through port "A" (FIGURE 14).

2) Using jumper wires, connect negative solenoid terminal to ground and apply 12 volts to the positive terminal. Apply vacuum to port "B". Vacuum should hold and not bleed off. If the solenoid does not hold vacuum, replace solenoid.

3) With solenoid still energized, move vacuum pump to port "A". Attempt to apply vacuum. Vacuum should be released through the air filter and no vacuum should be present at port "B".

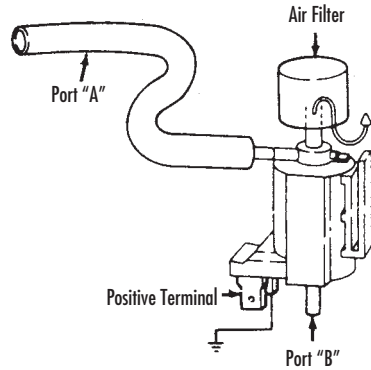


FIGURE 14: TYPICAL VACUUM SOLENOID

THERMAL-CONTROLLED VACUUM-SWITCHING VALVES

SERVICE PROCEDURES

These control valves are called Ported Vacuum Switches (PVS) when used on Ford engines. Thermal Ignition Control (TIC) valves when used on Chrysler products, and Distributor Thermal Vacuum-Switches (DTVS) when used on General Motors engines.

The two-port valve is used to stop EGR while the engine is cold. This type of thermal switch is needed to provide good drivability by limiting the entrance of EGR until the engine is warmed up.

The three-port valve is commonly called a cooling system PVS because it switches the vacuum source to the distributor from ported to full intake vacuum.

The four-port valve has been used in some Ford engines to bypass the spark delay valve and cut out the EGR system when the engine is cold.

SERVICE PROCEDURES

Follow this procedure to test the two-port vacuum-switching valve:

1) Apply 10" Hg of vacuum to the bottom port of the valve with your vacuum pump and measure the results with a second vacuum gauge as shown in the accompanying illustration (FIGURE 15).

2) The valves are color-coded and the green valve should open and pass vacuum at 68°F, the black valve at 100°F.

Color Code	Coolant Above Temperature
Green	68°F
Black	100°F
Plain or Blue	133°F

RESULTS:	
No Vacuum	Replace the PVS valve
Vacuum	PVS valve is open
Vacuum when coolant is cold	Replace the PVS valve

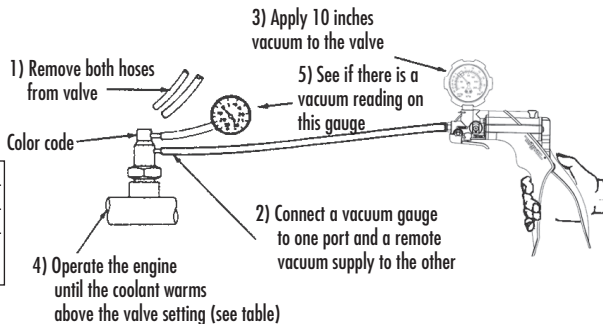


FIGURE 15: TESTING THE TWO-PORT PVS

THERMAL-CONTROLLED VACUUM-SWITCHING VALVES

3) If full vacuum flows through the valve when heated, it is okay. If there is no vacuum flow or there is vacuum flow when the coolant is cold, replace the valve.

Follow this procedure to test the three-port vacuum-switching valve:

1) Apply 10" Hg of vacuum with your vacuum pump to the middle port of the valve with a vacuum gauge at each of the other two ports.

2) Refer to the same color-coded valves and same temperature specifications as for the two-port valve above. If the vacuum switches at the specified temperature, the valve is okay. If there is no vacuum to the lower port above the specified temperature, replace the valve.

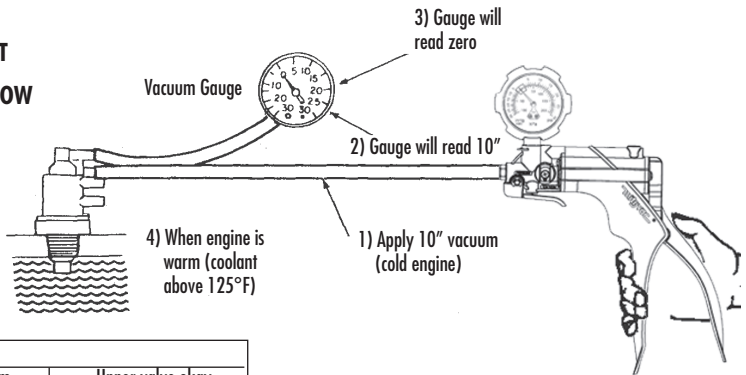
The four-port valve must be tested two times, once at the top two ports and once at the bottom two ports as shown in the accompanying illustration (FIGURE 16).

1) Apply 10" Hg of vacuum with your vacuum pump to one of the top two ports. The valve should hold vacuum when above the specified operating temperature.

2) If flow occurs when the valve is warm, replace it.

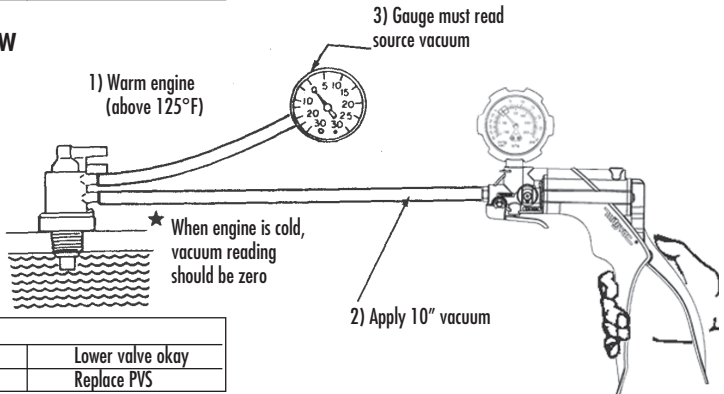
3) For the lower two ports, vacuum must pass through the valve only when the engine is warm; otherwise, replace the valve.

4-PORT PVS TEST UPPER VALVE FLOW



RESULTS:	
No vacuum when warm	Upper valve okay
Vacuum when warm	Replace PVS

LOWER VALVE FLOW



RESULTS:	
Vacuum when warm	Lower valve okay
No vacuum when warm	Replace PVS

FIGURE 16: TESTING THE FOUR-PORT PVS

AUTOMATIC FLUID REFILL KIT

Included in the pump kit are components designed to automatically maintain a constant level of new fluid in the master cylinder or hydraulic clutch reservoir while vacuum bleeding. The components include two cap adapters that fit most pint and quart brake fluid bottles (1-1/4" side mouth), and three master cylinder/reservoir refill plates.

SERVICE PROCEDURES

- 1) Evacuate as much old fluid as possible from the master cylinder or clutch reservoir.
- 2) Replace the lid on a pint or quart size bottle of new brake fluid with the appropriate cap adapter.
- 3) Select the appropriate refill plate and place it on top of the master cylinder or clutch reservoir.
- 4) Invert the bottle of fluid with the feeder adapter attached, and insert the feeder adapter into the hole in the master cylinder plate. Push down on the bottle until the feeder adapter snaps into the refill plate.
- 5) Bleed the hydraulic brake or clutch system.

NOTE: Take care when inserting and removing the brake fluid bottle to avoid spillage.

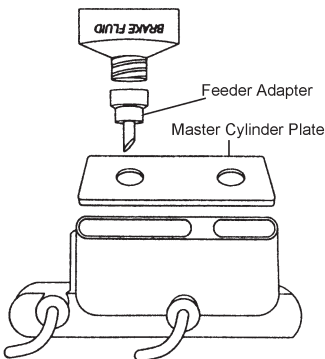


FIGURE 17: AUTOMATIC FLUID REFILL KIT

BRAKE BLEEDING

Many brake systems today feature Anti-Lock functions and electronic controls. Many of these systems use a high pressure electric pump to keep the system pressurized. When bleeding or servicing, these systems require special procedures and cautions.

- ALWAYS observe the following precautions when servicing Anti-Lock brake system:
- ALWAYS wear safety goggles when servicing high pressure brake systems.
- ALWAYS depressurize the ABS system prior to adding fluid or attempting service or repair.
- Unless instructed to by the manufacturer's procedure, NEVER open a bleeder valve or loosen a hydraulic line while the ABS system is pressurized.
- ONLY use recommended brake fluids. DO NOT use silicone brake fluid in ABS equipped vehicles.
- Always refer to an appropriate repair manual for additional information on Anti-Lock brake systems.

DEPRESSURIZING ANTI-LOCK BRAKE SYSTEMS

Always refer to the vehicle owner's manual or appropriate service manual for additional information on depressurizing procedure. The procedure will work on most Anti-Lock brake systems. Ensure ignition switch is in the OFF position or disconnect the negative battery cable. Pump the brake pedal 25 to 40 times. A noticeable change is felt. Continue to pump the pedal a few additional times. This should eliminate most system pressure. Open fluid reservoir or brake lines carefully. Top off reservoir fluid and reconnect battery cable when finished.

BLEEDING ANTI-LOCK BRAKE SYSTEMS

Always refer to the vehicle owner's manual or appropriate service manual for manufacturer's brake bleeding procedure. The front brakes on most Anti-Lock brake systems may be bled in the conventional manner. Most hydraulic pump/pressure accumulator units are fitted with a bleeder valve which must be bled when the system has lost fluid or

is being replaced. Some vehicles require that the system be pressurized when the rear brakes are bled.

Some automotive manufacturers use bleeding procedures which require specialized equipment.

BRAKE LINE BLEEDING

Most low and soft pedal problems are caused by air in the hydraulic lines, which requires bleeding of the hydraulic system. By using the pump with brake bleeding accessories, the system can be bled easily. Follow a wheel-to-wheel sequence beginning with the wheel closest to the master cylinder.

The kit provides a simple, clean, and quick method for bleeding the fluid lines in the automotive brake system. The creation of a vacuum in the reservoir jar causes fluid to be drawn into the reservoir jar. It should be noted that a tiny stream of bubbles may be noticed in the hose after all of the air is bled from the lines. This is caused by air seeping around the threads of the loosened bleeder fitting and being drawn back through the fitting by the suction of the pump. Once the air is removed from within the system, these tiny bubbles will in no way jeopardize the bleeding operation, since they are present only at the fitting and do not enter the system. If you wish, you can put grease or Teflon tape around the threads of the fitting to eliminate most of the bubbles. The correct bleeding procedure follows:

- 1) Always make certain that the master cylinder reservoir is filled and that a supply of new, clean brake fluid of the proper type is on hand to top off the reservoir as the fluid level drops during bleeding. Make sure that all the bleeding fittings are clean prior to beginning of the bleeding procedure.
- 2) Bleed the hydraulic system in the following order:
 - A) Master cylinder bleeder fittings, if equipped. If installing a new or rebuilt master cylinder, follow the bench bleeding procedure which follows.

BRAKE BLEEDING

B) Bleeder fittings on the combination valve, if equipped.

C) Wheel cylinders and calipers in succession beginning with the wheel closest to the master cylinder, and working to the farthest one.

NOTE: Follow manufacturer's recommended bleeding sequence (if known). The procedure given in this article specifies to begin bleeding the wheel closest to master cylinder. Regardless of sequence used, always ensure all air is purged from system.

3) Slip 1½" of tubing between the pump and the lid of reservoir jar at port marked "TO PUMP" (FIGURE 18).

4) Attach 3½" plastic hose to the bottom of the cap.

5) Affix at least a 12" piece of tubing to the other reservoir jar port. Be certain that the cover of the reservoir jar is secure, but don't over tighten.

6) Select the appropriate adapter(s). The L-shaped universal adapters should fit snugly over the brake bleeding fitting in order to seal properly. The tapered adapters fit inside the thru-hole of fitting and will generally seal well when inserted tightly with a pressing and twisting motion. Attach adapter to reservoir hose.

7) Place wrench on brake bleeding fitting. Attach adapter and pump assembly, and pump 10 to 15 times.

NOTE: If bubbles coming out of the fitting are very small and even in size, the air is probably coming from within the system. It is not necessary to eliminate these bubbles as they do not affect brake operation. If desired, these bubbles can generally be eliminated by placing grease or Teflon tape around the threads, to act as a seal.

8) Open fitting slightly, only enough to cause the fluid to enter jar, usually ¼ to ½ turn.

9) After evacuating about 2" of fluid into the jar, close the fitting and refill the master cylinder. Repeat all previous steps on all remaining wheels. If fluid is not drawn into the jar after opening the fitting, make certain the lid of the jar is tight. You will not be able to produce the necessary vacuum in the jar if the lid does not fit securely. Occasionally some dirt will get into the brake line, in which case the pump may not be totally effective. If this happens, have someone touch the brake pedal once lightly, with the bleeding valve open, then proceed to use the pump.

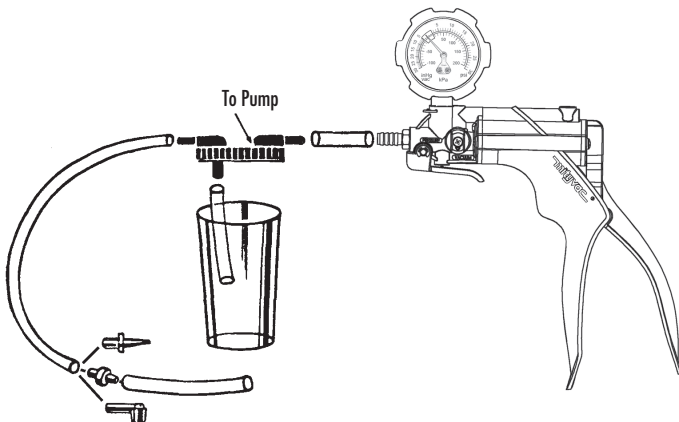


FIGURE 18: BRAKE BLEEDING KIT

BRAKE BLEEDING

MOTORCYCLE BLEEDING PROCEDURE

Before bleeding the system, ensure that:

- 1) The brake caliper pistons are free to move within the calipers.
- 2) The master cylinder piston is free to return to the end of its stroke, and
- 3) Inspect the line to ensure that all fittings are tight.

FRONT BRAKE

- 1) Pump brake lever to seat caliper pads against rotor.
- 2) Cover gas tank with plastic protective sheet if using DOT 3 fluid (not necessary if using DOT 5 fluid).
- 3) Remove master cylinder reservoir cap and fill reservoir.
- 4) Select the appropriate adapter(s). The L-shaped universal adapters should fit snugly over the brake bleeding fitting in order to seal properly. The tapered adapters fit inside the thru-hole of fitting and will generally seal well when inserted tightly with a pressing and twisting motion. Attach adapter to reservoir hose.
- 5) Pump several times to create vacuum. Crack bleeder valve with box wrench, extracting fluid into reservoir. (Stop and add fluid when master cylinder begins to get low. Do not allow air to enter line.). At this point, all air should be out of system and line full of fluid. (Note: if air is entering the pump hose from around bleeder fitting, remove bleeder fitting and apply Teflon tape to threaded portion of bleeder screw only. This will prevent air seepage around threads of bleeder screw.)
- 6) While maintaining vacuum on the pump line, tighten bleeder fitting.
- 7) Top off reservoir and reinstall cover. Check brake by pumping lever several times. Pedal should have a positive, solid feel. If not, repeat bleeding process as more air may have entered the system. Inspect line to ensure all fittings are tight. If brake still feels slack, consult a service technician.

For dual disc front brakes, repeat bleeding process as though there are two separate systems.

REAR BRAKE

Removing all air from the rear brake line is the same as for the front. The rear brake reservoir is usually located beneath one of the side covers.

- 1) Remove the master cylinder cap and fill to near full.
- 2) Attach the pump hose to the bleeder fitting and pump the handle several times to create a vacuum.
- 3) Crack the bleeder with a box wrench. Because of the short line, most of the air should be evacuated the first time.
- 4) By closing the valve and repeating the process, all of the air should be eliminated from the system. Stop and add more fluid when master cylinder gets low.
- 5) Top off and recap the reservoir.

TROUBLESHOOTING

- 1) If, after bleeding procedure, the brake continues to be unresponsive, you may have water in the system, in which case it will need to be disassembled and cleaned by a qualified service technician.
- 2) If the brake squeaks slightly after bleeding, the disc and pads must be cleaned.
- 3) Although DOT 3 fluid is recommended by most manufacturers, it has a tendency to collect moisture, which causes the common discoloration you see - and that means decreased efficiency. DOT 5 is silicone based and does not have the same tendency to collect moisture. It also has a higher tolerance. DOT 5, however, is not always easy to find and the two types of fluid must not be mixed.
- 4) Rubber hoses are supplied stock on most motorcycles, but they have a tendency to expand, which may result in a spongy brake feel after a lot of riding. Braided steel line will not expand like this.

BRAKE BLEEDING

BENCH BLEEDING THE MASTER CYLINDER

Whenever a master cylinder has been removed from a vehicle or a new one is being installed, the master cylinder must be bench bled. Failure to bench bleed is the main reason for unsuccessful master cylinder replacement. Bench bleeding greatly decreases the chance that any air will be caught in the cylinder upon reinstallation. Follow this procedure:

- 1) Plug outlet holes of the master cylinder and gently clamp it in a vise with the push rod end slightly elevated. NOTE: Damage may result if master cylinder is clamped by the bore or if reservoirs are clamped too tightly.
- 2) Fill the master cylinder with an approved type brake fluid and keep it filled at all times during the procedures.
- 3) Remove a plug from the master cylinder and attach the proper adapter to this master cylinder outlet port. Connect the pump tube to the reservoir jar and the jar tube to the adapter (FIGURE 19).

4) Operate the pump and observe air and fluid flowing into the reservoir until clear, bubble-free fluid appears.

5) Plug the outlet tightly and repeat step 4 on the other outlet ports.

6) Clamp master cylinder in a vise with the push rod end down slightly. Slowly slide the master cylinder push rod back and forth about $\frac{1}{8}$ " , until no air bubbles can be seen in the reservoirs.

7) Remount the master cylinder with the push rod end up and follow steps 3 & 4 on all outlet ports. Plug ports tightly. The master cylinder is now free of air and ready to install.

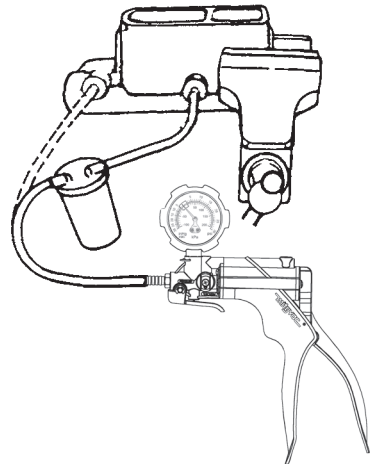


FIGURE 19: BENCH BLEEDING

MANUAL DEL USUARIO

¿Tiene alguna duda técnica?

Si tiene alguna duda, o requiere algún servicio técnico, póngase en contacto con nuestros técnicos de servicio capacitados llamando al:

1-314-679-4200 ext. 4782

Lunes a viernes, de 7:30 a.m. a 4:15 p.m. CST

Visite nuestro sitio web, www.mityvac.com para ver nuevos productos, catálogos e instrucciones de empleo de nuestros productos.

¿Necesita piezas de servicio?

Para pedir piezas de repuesto o servicio, visítenos en línea en www.mityvacparts.com o llámenos al teléfono gratuito 1-800-992-9898.

Para obtener una versión en francés o español de este manual visite www.MityvacFST.com.

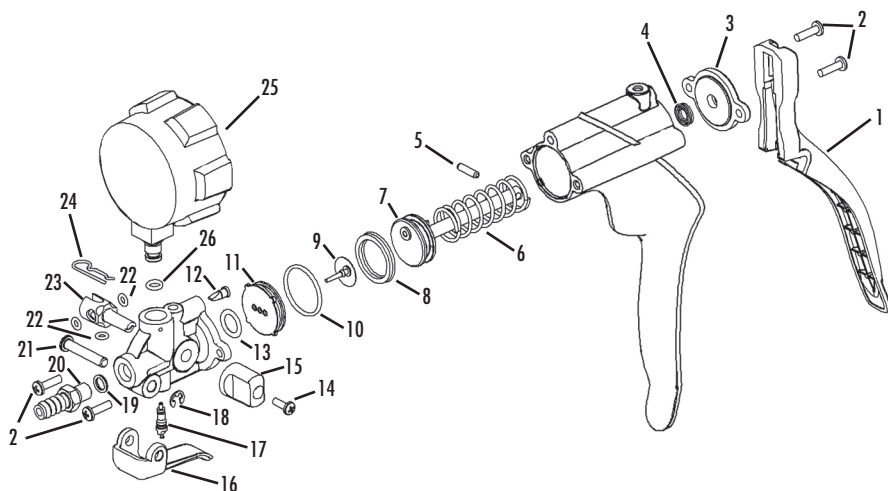


PRECAUCIÓN: No exceda nunca la presión nominal del manómetro, ya que esto puede causar la pérdida de precisión y daños permanentes.

CONTENIDO

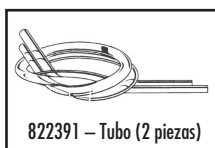
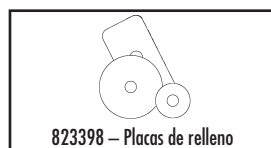
Piezas de Servicio y Accesorios	27
Bomba de vacío	28
Sistema de vacío del automóvil	30
Diagnos de la condición mecánica del motor	32
Sistema de ventilación positiva del cárter	34
Regulador de presión de combustible	35
Válvula de derivación de los gases de escape	37
Recirculación de los gases de escape	38
Válvulas de retraso de encendido	43
Solenoid eléctrico/de vacío	44
Válvulas interruptoras de vacío de control térmico	44
Purga de sistemas de freno	46
Garantía	76

PIEZAS DE SERVICIO Y ACCESORIOS



JUEGOS DE SERVICIO DE LA BOMBA

	801330	MVM8900	MVA6176	801333	801334	801335	801336
1	X						
2		X					
3					X		
4		X					
5		X					
6		X					
7		X					
8		X					
9		X					
10		X					
11						X	
12		X					
13		X					
14		X					
15		X					
16				X			
17		X					
18				X			
19							X
20							X
21				X			
22		X					
23		X					
24			X				
25			X				
26			X				



BOMBA DE VACÍO

La bomba de vacío/presión es una herramienta muy versátil que puede usarse para probar una variedad de sistemas automotrices y efectuar una serie de tareas útiles. Aunque la bomba tiene usos evidentes para probar diversos motores de vacío, válvulas de control y fuentes de vacío, sus aplicaciones no terminan allí. Casi cualquier pieza o sistema que requiera un sellado, una presión o un vacío apropiados para operar puede probarse con la bomba de vacío. La bomba y sus accesorios también transfieren fluidos, ayuda a purgar frenos y en otras tareas. La bomba también cumple con los requisitos de las herramientas de diagnóstico cuando dichas herramientas se especifican para algunos programas de inspección de vehículos estatales.

Esta sección describirá la bomba, dará especificaciones, indicará cómo usar la bomba y proporcionará algunas recomendaciones de servicio para ayudar a mantener su bomba en las mejores condiciones.

DESCRIPCIÓN

La bomba de vacío/presión portátil es sencilla, precisa, fácil de usar y tiene muchas aplicaciones. Consta de un cuerpo de bomba, palanca móvil, indicador de vacío/presión compuesto, interruptor de convertidor de vacío/presión y conexión. La bomba se puede mantener fácilmente en la mano, y cuando se aprieta la palanca, se produce vacío o presión en la conexión delantera. Si la conexión delantera de la bomba se conecta a un recipiente o sistema cerrado, el indicador mostrará el nivel de vacío o presión.

Para seleccionar si la bomba debe producir vacío o presión en la conexión resulta tan simple como girar la perilla ubicada en el lado delantero izquierdo de la bomba. La caja de la válvula de vacío/presión está marcada con las palabras "Pressure" (Presión) y "Vacuum" (Vacío). Gire la perilla de modo que la flecha se alinee con la salida deseada. Dependiendo de la posición de la perilla, se produce vacío o presión apretando la palanca de la bomba. El retorno de la palanca no surte efecto en la salida.

ALIVIO DE VACÍO/PRESIÓN

El vacío o la presión pueden aliviarse levantando la palanca de alivio. Esta acción permite la entrada de aire en el sistema, aliviando así el vacío/la presión. El vacío/la presión también se aliviarán cuando se desconecte la manguera de la conexión delantera.

ESPECIFICACIONES

Vacío máximo a nivel del mar:	Apróx. 25" Hg (85 kPa)
Volumen de la embolada:	1 pulg ³ (16cc)
Presión máxima:	30 lb/pulg (205 kPa)
Precisión del indicador de presión:	3%-2%-3% de la gama completa

USO DE LA BOMBA

Es fácil usare la bomba. En la mayoría de los casos, está conectada directamente a un componente, se usa en lugar de una tubería de vacío o se conecta a un circuito de vacío mediante un conector en te. La bomba puede operarse como instrumento de prueba de dos maneras:

1) Cuando se desea un vacío o una presión para hacer una prueba, el interruptor del convertidor se gira a la salida deseada, y la palanca móvil de la bomba se aprieta simplemente con la mano, como al cerrar el puño. Continúe las emboladas hasta lograr el vacío o la presión deseados según se muestra en el indicador.

2) La bomba puede conectarse a un circuito de vacío o presión y usarse para medir cantidades existentes de vacío o presión, simplemente como se usaría cualquier vacío. Cuando se usa de esta manera, no bombee la palanca, ya que se pueden obtener lecturas incorrectas.

CUIDADOS ADECUADOS

La bomba es un instrumento de precisión de construcción sólida. ¡Manéjela con cuidado! No deje caer el manómetro ni lo manipule de forma descuidada, ya que su precisión puede resultar afectada. No exceda nunca la presión nominal del manómetro, ya que esto puede causar la pérdida de precisión y daños permanentes. Cuide la bomba y le

BOMBA DE VACÍO

proporcionará años de servicio sin problemas.

LUBRICACIÓN

El lubricante de fábrica es un aceite de silicona que permite usar la bomba durante mucho tiempo.

Si cree necesario lubricar la bomba, utilice un aceite de silicona. Si no dispone de este aceite, utilice un líquido de frenos a base de silicona DOT 5 (no DOT 3) o un aceite vegetal comestible. No utilice líquidos derivados del petróleo ni lubricantes de rociado (WD40, aceite de motor, etc.) ya que se dañará la bomba.

EL SISTEMA DE VACÍO DEL AUTOMÓVIL

Este manual trata sobre el vacío, cómo se utiliza en los diversos sistemas del automóvil y cómo puede utilizar la bomba de vacío para probar y diagnosticar estos sistemas. Esta sección explica lo que es el vacío, cómo se mide, dónde se genera en el automóvil, el sistema de distribución y uso del vacío, y algunas recomendaciones básicas para localizar y resolver problemas.

¿QUÉ ES EL VACÍO?

En pocas palabras, el vacío es falta de materia y puede ser total o parcial. El vacío en sí mismo no puede generar energía. La energía generada por los aparatos de vacío depende de la presión atmosférica. La atmósfera ejerce una presión de 14.7 lb/pulg² sobre todos los objetos a nivel del mar. Si se extrae cierta cantidad de aire de un lado de un diafragma (vacío parcial), la presión atmosférica ejercerá una fuerza sobre el otro lado del diafragma. La fuerza ejercida es igual a la diferencia de presión multiplicada por el área del diafragma (FIGURA 1). Por lo general, cuanto más aire se extraiga (más vacío se genere) en un espacio, más fuerza ejercerá la presión atmosférica.

¿CÓMO SE MIDE EL VACÍO?

En Estados Unidos, el vacío se mide generalmente en pulgadas de mercurio (" de Hg). También puede medirse en centímetros de mercurio (cm de Hg). La presión atmosférica puede sostener una columna de mercurio de aproximadamente 76 cm de altura en la columna de un manómetro. Esta es la misma presión barométrica medida en milímetros de Hg que varía al cambiar las condiciones meteorológicas. Las indicaciones de vacío en pulgadas de Hg son en realidad indicaciones negativas de presión. Por ejemplo, un vacío de 30" de Hg representa un vacío completo. La mitad de un vacío completo serían 15" de Hg. Un motor de combustible al ralentí suele producir un vacío de 16 a 22" de Hg. Durante la desaceleración, dado que el acelerador se mantiene cerrado, el vacío aumentará. La bomba de vacío puede generar aproximadamente 25" de Hg; el manómetro de vacío está calibrado en pulgadas y en kilopascales (kPa).

POR QUÉ CREAN VACÍO LOS MOTORES

El vacío se crea al extraer el aire de cierto espacio, o al aumentar un volumen hermético. Éste es el motivo por el que se dispone de vacío en el motor. Durante el tiempo de admisión, el émbolo se mueve hacia abajo, creando un vacío parcial al aumentar el volumen del cilindro. El aire no puede entrar por la válvula de admisión con suficiente rapidez para llenar totalmente el espacio creado al bajar el émbolo (FIGURA 2). Ésta es la fuente de suministro de vacío más común del automóvil.

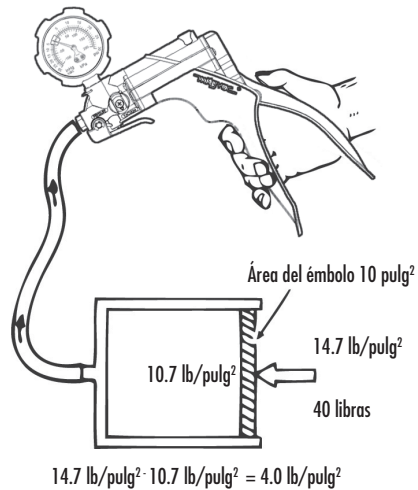


FIGURA 1:
EL VACÍO Y LA PRESIÓN ATMOSFÉRICA

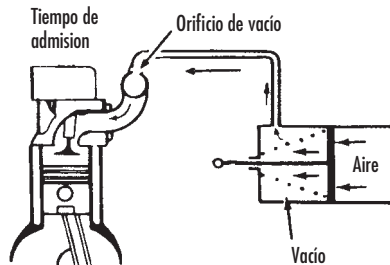


FIGURA 2: EL MOTOR COMO FUENTE DE ABASTECIMIENTO DE VACÍO

EL SISTEMA DE VACÍO DEL AUTOMÓVIL

VACÍO EN LOS MOTORES DE COMBUSTIBLE Y DIESEL

Como Los motores diesel no generan tanto vacío como los motores de gasolina, se necesita una bomba mecánica de vacío para operar los dispositivos que requieran vacío. La bomba de vacío sirve como herramienta útil para probar dispositivos en ambos tipos de motores.

DISTRIBUCIÓN DE VACÍO

Todos los automóviles modernos cuentan con un sistema de distribución de vacío (FIGURA 3) que consiste en conductos, mangueras, conexiones y dispositivos de vacío. Este sistema debe ser a prueba de fugas. De lo contrario, la mezcla de aire y combustible del motor se empobrecerá debido a la entrada de aire adicional por las fugas, causando problemas tales como válvulas de escape quemadas, ralentí irregular, calado, encendido prematuro, bujías quemadas, etc. Además, cualquier dispositivo accionado por vacío, y que se vea afectado por las fugas de vacío no funcionará correctamente. Un motor normal de gasolina suele producir, en el múltiple de admisión, un vacío de 16 a 22" de Hg al ralentí. Ésta es una indicación de que el motor está funcionando en buenas condiciones. Cuanto menor sea el vacío del múltiple, menos eficiente será el funcionamiento del motor y menor será la distancia recorrida por litro de combustible. El sistema de distribución de vacío suministra vacío a los motores de vacío (servos) del sistema de aire acondicionado, reforzador del freno, servocontrol

de velocidad, controles de emisiones, sensor de presión absoluta del múltiple (MAP) y sistemas de control de la transmisión automática. En vehículos más viejos, también se suministra vacío al mecanismo de avance y retardo de vacío del distribuidor. Estos dispositivos pueden estar conectados directamente al vacío del múltiple, o pueden controlarse mediante solenoides eléctricos, interruptores termostáticos u otros controles de vacío.

LOCALIZACIÓN Y RESOLUCIÓN DE PROBLEMAS DEL SISTEMA DE VACÍO

La mayoría de los problemas de vacío se deben a fugas que se producen en mangueras, diafragmas o válvulas de los motores. Los tubos aprisionados o las válvulas obstruidas tampoco permiten producir vacío. Los problemas también pueden deberse a la operación mecánica defectuosa de dispositivos impulsados por motores de vacío. La bomba de vacío puede usarse para medir el vacío en una manguera. El manómetro de vacío es muy útil para detectar las fluctuaciones del suministro de vacío. La bomba de vacío le permite probar todo tipo de dispositivos operados por vacío. Por ejemplo, en un motor de vacío, la bomba permite verificar la operación mecánica del dispositivo así como también medir el vacío necesario para hacerla funcionar.

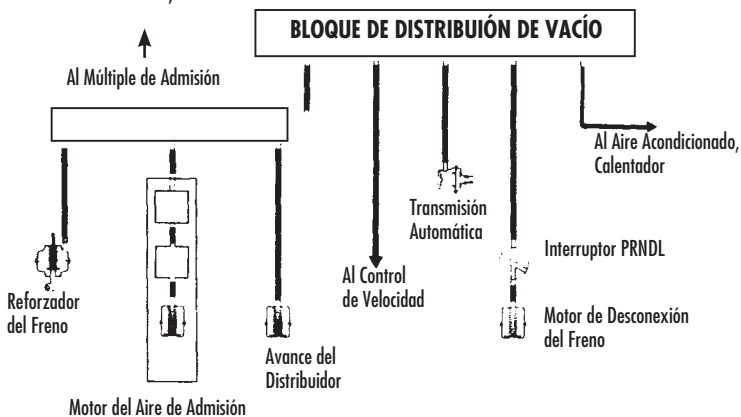


FIGURA 3: SISTEMA TÍPICO DE DISTRIBUCIÓN DE VACÍO

EL SISTEMA DE VACÍO DEL AUTOMÓVIL

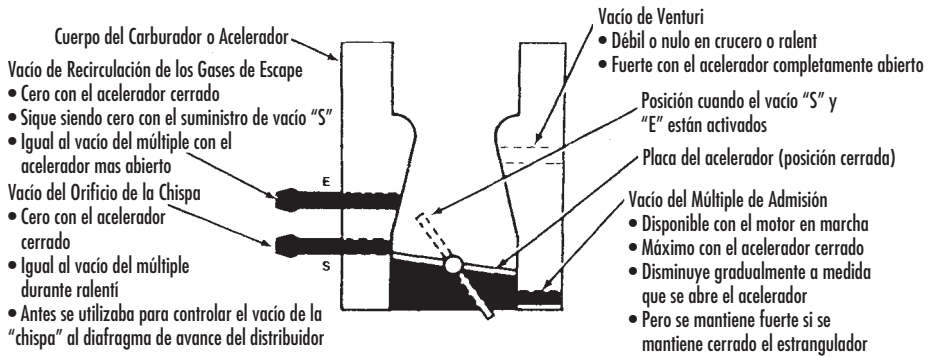


FIGURA 4: PUNTOS TÍPICOS DE SUMINISTRO DE VACÍO DEL CARBURADOR

Para probar un diafragma, aplique un vacío de 10" de Hg al dispositivo (FIGURA 4). Observe el manómetro para ver si la aguja sigue bajando después de que el dispositivo deje de funcionar.

Si la aguja sigue bajando, indica que existe una fuga en el diafragma. Si el diafragma está en buenas condiciones, el vacío se mantendrá durante un minuto y con la aguja sin moverse.

DIAGNOSIS DE LAS CONDICIONES MECÁNICAS DEL MOTOR

COMPROBACIONES Y DIAGNOSIS DEL MANÓMETRO DE VACÍO

Las lecturas del manómetro de vacío de la bomba pueden dar indicaciones de posibles problemas mecánicos, pero no sin errores. Observe el manómetro detenidamente y siempre que sea posible, realice más lecturas de vacío para confirmar la diagnosis. No espere a que el motor dé unas indicaciones (numéricas) específicas de vacío. Es mucho más importante el intervalo de lecturas de vacío y el movimiento de la aguja (FIGURA 5). Entre las cosas importante que se pueden observar es **CÓMO** se mueve la aguja (de modo uniforme o con sacudidas, irregularmente, etc.), en qué sentido se mueve, si el movimiento es regular o variable y que distancia se mueve la aguja. A continuación se indican algunos ejemplos sobre qué se debe observar y el significado de las distintas lecturas del manómetro de vacío.

MOTOR NORMAL

Mantenga el motor al ralentí y conecte la bomba a una toma del múltiple de admisión. Observe el movimiento de la aguja del manómetro. Al ralentí, la lectura del manómetro de vacío debe ser estable y estar comprendida entre 16" y 22" de Hg.

VÁLVULAS QUEMADAS O CON FUGAS

Con el motor al ralentí, las válvulas quemadas o con fugas harán que la aguja del manómetro descienda a una lectura baja y que vuelva a una lectura normal en intervalos regulares. Cuando la válvula defectuosa trate de cerrarse, la aguja bajará de 1 a 7" de Hg, en intervalos regulares.

VÁLVULAS AGARROTADAS

La presencia de una válvula agarrotada producirá una bajada rápida e intermitente de la aguja con relación a la lectura normal. Esto es distinto a la bajada normal producida por una válvula quemada o con fugas. Las válvulas agarrotadas pueden detectarse aplicando directamente un aceite ligero a cada guía de válvula. Cuando el aceite llegue a la válvula defectuosa se resolverá el problema temporalmente.

RESORTE DE VÁLVULA FLOJO O ROTO

Los resortes de válvula flojos pueden detectarse cuando la aguja del manómetro de la bomba varíe entre 10" y 21" de Hg con el motor al ralentí. Las fluctuaciones aumentarán al aumentar la velocidad del motor. La presencia de un resorte de válvula roto hará que la aguja fluctúe rápidamente en un intervalo regular. Esto se produce también cada vez que la válvula trate de cerrarse.

DIAGNOSIS DE LAS CONDICIONES MECÁNICAS DEL MOTOR

GUÍAS DE VÁLVULA DESGASTADAS

La guías de válvula desgastadas permiten el paso de aire que descompensa la mezcla de combustible y aire. La lectura del manómetro será menor que lo normal y fluctuará rápidamente en un margen de unas 3" de Hg. La aguja se estabilizará al acelerar el motor.

AROS DE PISTÓN CON FUGAS

La lectura de vacío con el motor al ralentí será baja pero estable, entre 12" y 16" de Hg. Acelere el motor hasta 2000 rpm y a continuación deje de acelerarlo instantáneamente. La aguja debe pasar de 2 a 5" de Hg por encima de la lectura normal. Un incremento menor que el anterior puede indicar que los aros son defectuosos, que el cilindro está rayado o que se debe hacer una prueba de compresión.

JUNTA DE CULATA ROTA

Al ralentí, la aguja del manómetro de la bomba de vacío fluctuará entre una lectura normal y una lectura baja. La aguja bajará rápidamente 10" de Hg con respecto a la lectura normal y volverá a la lectura normal cada vez que el cilindro o cilindros defectuosos vuelvan a la posición de encendido.

PRUEBA DE RESTRICCIÓN EN EL SISTEMA DE ESCAPE

La restricción del sistema de escape producirá un rendimiento normal o casi normal con el motor al ralentí pero muy bajo cuando el motor esté cargado o funcione a mayores velocidades.

1) Conecte la manguera de la bomba a una conexión de vacío del múltiple de admisión. Haga funcionar el motor al ralentí y observe la lectura de vacío y

el movimiento de la aguja. Compare estas lecturas y movimientos con las descripciones indicadas para válvulas quemadas, retraso del encendido o sincronización de las válvulas.

2) Observe el manómetro de vacío de la bomba mientras se acelera el motor hasta 2500 rpm aproximadamente.

3) Un aumento de vacío en comparación con la lectura obtenida con el motor al ralentí significa que no hay una restricción en el sistema de escape.

4) Si al aumentar las rpm del motor la aguja baja hasta cero, significa que existe una restricción o que hay una válvula de recirculación de los gases de escape demasiado activa.

5) Haga una prueba por separado la válvula de recirculación de los gases de escape. Si determina que está en buenas condiciones, el problema se debe a una restricción en el sistema de escape. Compruebe y sustituya las piezas necesarias.

MEZCLA INCORRECTA DE AIRE Y COMBUSTIBLE AL RALENTÍ

Cuando la aguja del manómetro se mueve lentamente de un lado a otro con el motor al ralentí, en un intervalo de 4 a 5" de Hg, significa que la mezcla de combustible es demasiado rica. Una mezcla demasiado pobre provocará una bajada irregular de la aguja en aproximadamente el mismo intervalo.

PÉRDIDAS DE AIRE EN EL MÚLTIPLE DE ADMISIÓN

Si hay fugas de aire en el sistema de admisión de

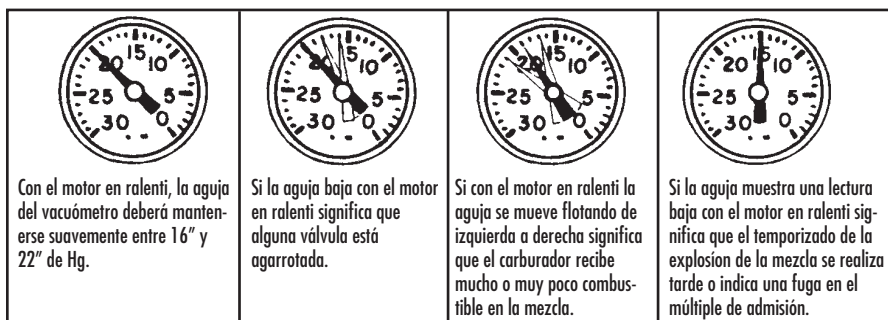


FIGURA 5: LECTURAS DEL VACUÓMETRO

DIAGNOSIS DE LAS CONDICIONES MECÁNICAS DEL MOTOR

aire, la aguja del manómetro de la bomba estará de 3 a 9" por debajo de la lectura normal pero permanecerá estable.

RETRASO DEL ENCENDIDO O SINCRONIZACIÓN DE LAS VÁLVULAS

Una lectura muy baja pero estable con el motor

al ralentí indica un retraso del encendido o sincronización de las válvulas, o un juego de válvulas uniformemente ajustado. Haga pruebas por separado para determinar si alguno de estos problemas afecta el funcionamiento del motor.

SISTEMA DE VENTILACIÓN POSITIVA DEL CÁRTER

OPERACIÓN DEL SISTEMA

El sistema de ventilación positiva del cárter (PCV) se usa en "T"odos los motores modernos para reducir la contaminación de aire al extraer de forma más completa los vapores del cárter. El aire se aspira por un filtro ubicado en el filtro de aire, pasando al cárter por una manguera en la tapa de las válvulas.

De ahí pasa transversalmente y hacia arriba a la parte trasera del múltiple de admisión o a la tapa opuesta de las válvulas, por la válvula PCV y por una manguera al múltiple de admisión. El múltiple de admisión aspira todos los vapores del cárter para quemarlos en el motor.

Cuando la cantidad de aire que atraviesa el carburador o cuerpo del acelerador es alta, el aire añadido procedente del sistema PCV no surte ningún efecto en el funcionamiento del motor. Sin embargo, al ralentí, la cantidad de aire que atraviesa el carburador o cuerpo del acelerador es tan pequeña que cualquier cantidad grande agregada por el sistema de ventilación descompensará la mezcla de aire y combustible, ocasionando un ralentí irregular. Por esta razón, la válvula PCV limita el paso de aire cuando el vacío en el múltiple de admisión es alto.

PROCEDIMIENTOS DE REPARACIÓN

Tras cierto periodo de funcionamiento, la válvula PCV puede obstruirse, reduciendo la ventilación del cárter. Esta válvula debe reemplazarse periódicamente para impedir la formación de ácidos en el cárter y un aumento excesivo de la presión en el mismo que forzará la salida del aceite del motor por las juntas. Use el procedimiento siguiente para probar el sistema de ventilación usando la bomba:

1) Inspeccione el sistema para ver si hay mangueras retorcidas, obstruidas o deterioradas. Asegúrese de que todas las mangueras estén bien conectadas. Realice las reparaciones necesarias.

2) Conecte la bomba a un orificio del múltiple de admisión y compruebe la lectura de vacío con el motor caliente y al ralentí.

3) Cierre a presión la manguera de vacío a la válvula PCV. La velocidad del motor deberá disminuir 100 rpm para indicar la fuga de aire en el múltiple de admisión. La lectura del manómetro vacío deberá aumentar ligeramente. Si esto no sucede, reemplace la válvula PCV o las mangueras dañadas, obstruidas o aflojadas.

4) Si el ralentí del motor es muy bajo o irregular, se puede deber a una manguera o válvula PCV obstruida. No ajuste la velocidad de ralentí sin comprobar primero el sistema PCV.

5) Después de instalar una válvula PCV nueva, ajuste siempre la velocidad de ralentí, y si es posible, la mezcla de aire y combustible. La instalación de una válvula equivocada puede hacer que una cantidad excesiva de vapor circule a través del sistema si la purga calibrada es demasiado grande. Esto descompensará excesivamente la mezcla de aire y combustible. Si la abertura es demasiado pequeña, se anulará el efecto de la obstrucción, las emisiones aumentarán, se formarán ácidos en el cárter y se podrán producir fugas de aceite. Cerciórese de conseguir la válvula PCV correcta para su automóvil.

REGULADOR DE PRESIÓN DE COMBUSTIBLE

OPERACIÓN DEL SISTEMA

Los reguladores de presión de combustible se usan para mantener la presión de combustible a un nivel constante según los requisitos del motor. Los fabricantes de automóviles emplean diferentes métodos para controlar la presión del combustible. La mayoría utilizan un resorte mecánico y un regulador de presión tipo diafragma como el de la figura 6. Los reguladores mecánicos utilizan con gran frecuencia el vacío o la presión del motor para variar la presión del combustible como respuesta a los requisitos inmediatos del motor. Se requiere una bomba de vacío o una bomba de vacío/presión con un manómetro apropiado para diagnosticar debidamente estos tipos de reguladores.

Los reguladores de presión de combustible controlados por vacío/presión están montados normalmente inmediatamente después del carril de combustible y en serie con la circulación de combustible. Cuando no funciona la bomba de combustible, el resorte hace que el diafragma se cierre de modo que no pueda circular combustible. Una vez que se active la bomba de combustible, la presión que produce empieza a superar la fuerza del resorte y el diafragma se abre para permitir el paso de combustible. El resorte y el diafragma mantienen una presión constante en el combustible. Esto crea una contrapresión en el sistema de combustible, que se denomina comúnmente "presión de combustible". La función del regulador de presión de combustible es mantener la "presión de combustible" a un nivel especificado por el fabricante del vehículo.

Se conecta un regulador de presión de combustible modulado por vacío/presión al múltiple de admisión por medio de una manguera pequeña. El vacío del múltiple ayuda al resorte a abrir el diafragma. Cuando se conecta una carga al tren de fuerza, el vacío del motor disminuye. Esta disminución del vacío hace que el diafragma aumente la resistencia al paso de combustible. La resistencia adicional aumenta la presión de combustible a los inyectores para compensar la mayor demanda de combustible

del motor. En sistema de inducción de aire forzado (turbocompresores/sobrealimentador), la presión de refuerzo producida en el múltiple se comporta de forma opuesta al vacío producido en sistemas de aspiración normal. En condiciones de refuerzo, la presión del múltiple hace que el regulador aumente la presión del combustible, produciendo una mezcla de combustible más rica.

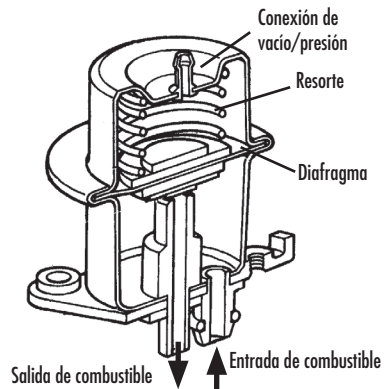


FIGURA 6: REGULADOR DE PRESIÓN

REGULADOR DE PRESIÓN DE COMBUSTIBLE

PROCEDIMIENTOS DE SERVICIO

Inspección visual

1) Consulte el manual de servicio del vehículo para determinar si el regulador de presión está modulado por vacío/presión, y para identificar su posición.

2) Inspeccione el exterior del regulador de presión para ver si hay fugas de combustible, y la manguera de vacío para ver si tiene daños visibles o grietas. Reemplace si es necesario.

3) Desconecte la manguera de vacío del regulador de presión de combustible.

4) Compruebe el interior de la manguera para ver si hay combustible líquido. Si lo hay, reemplace el regulador. Si no lo hay, reconecte la manguera de vacío.

Diagnóstico

5) Instale un probador de presión de combustible.

6) Arranque el motor y deje que funcione al ralentí.

7) Desconecte la tubería de vacío del regulador de presión de combustible.

8) La presión de combustible debe aumentar de 8 a 12 lb/pulg² cuando se desconecte la tubería. La ausencia de cambio indicará la presencia de un regulador defectuoso o con fugas o una tubería de vacío taponada.

9) Conecte la bomba de vacío a la manguera de vacío que se extiende desde el múltiple.

10) El manómetro de la bomba debe indicar 16" a 22" de Hg. Consulte el manual de servicio del vehículo para obtener una especificación más exacta. Una lectura cero o baja indicaría una tubería de vacío con fugas o taponada, o un problema más grave del motor.

11) Desconecte la bomba de vacío de la tubería de vacío, y tapone la tubería temporalmente. Conecte la bomba al orificio de vacío del regulador.

12) Use la bomba para producir un vacío en el regulador mientras observa el manómetro en el probador de presión de combustible.

13) La presión de combustible debe aumentar una libra por cada dos pulgadas de Hg de vacío aplicado al regulador. Si no es así, reemplace el regulador de presión de combustible.

Turbocompresores y sobrealimentadores

14) Para sistemas de inducción de aire forzado (turbocompresores y sobrealimentadores), cambie la bomba de "vacío" a "presión" sin desconectarlo del regulador.

15) Use la bomba para aplicar presión al regulador mientras se observa el manómetro del probador de presión de combustible.

16) La presión de combustible debe aumentar una libra por cada libra de presión aplicada al regulador. Si no es así, reemplace el regulador de presión de combustible.

VÁLVULA DE DERIVACIÓN DE LOS GASES DE ESCAPE

OPERACIÓN DEL SISTEMA

La válvula de derivación de los gases de escape del turbocompresor limita la cantidad de refuerzo (presión del múltiple de admisión) producida por el turbocompresor. Cuando la presión del múltiple de admisión se hace demasiado alta, la válvula de derivación se abre para permitir que parte de los gases de escape no pasen por el turbocompresor. Esto reduce el refuerzo del turbocompresor.

La mayoría de los accionadores de la válvula de derivación del turbocompresor funcionan usando un resorte mecánico y un diseño de diafragma. En condiciones de operación normales, el resorte mantiene cerrada la válvula de derivación, y todos los gases de escape se dirigen al turbocompresor. Hay un tubo pequeño que conecta el accionador de la válvula de derivación al múltiple de admisión o a la salida de aire del turbocompresor. Cuando la presión de refuerzo sea demasiado alta, empuja el diafragma hasta que supere la fuerza del resorte, haciendo que se abra la válvula de derivación.

Las pruebas de la función de la válvula de derivación y del accionador de la válvula de derivación comprenden la conexión de la bomba de mano Mityvac a la válvula de derivación y ejercer presión.

PROCEDIMIENTOS DE SERVICIO

Siga estos procedimientos para diagnosticar una válvula de derivación y accionador de turbocompresor o sobrealimentador:

Prueba en frío de un movimiento visual

1) Ubique el accionador de la válvula de derivación, e inspecciónelo para ver si está dañado. Compruebe la manguera de presión para ver si hay fugas o grietas visibles. Reemplácelo si es necesario.

2) Desconecte la manguera de presión del accionador de la válvula de derivación y conecte la bomba de mano Mityvac en su lugar.

3) Use la bomba para producir presión según la especificación del fabricante.

4) Observe el movimiento de la varilla de control y después mantenga su posición.

5) Si la varilla no se mueve o no mantiene su posición, o si se pierde presión según indicaciones del manómetro de la bomba de mano, reemplace o repare el accionador de la válvula de derivación.

6) Si no se descubren fugas, desconecte la varilla del accionador y mueva la palanca de la aleta de la válvula de derivación para determinar si está atascada o agarrotada.

7) Si no se mueve libremente, se debe reemplazar o reparar la válvula de derivación.

Prueba al ralentí

8) Arranque con el sistema de escape frío.

9) Desconecte la manguera de presión del accionador de la válvula de derivación y conecte la bomba de mano Mityvac en posición.

10) Arranque el motor y deje que funcione al ralentí.

11) Después de un tiempo corto, se debe calentar la entrada de los gases de escape a la válvula de derivación, pero la tubería de derivación de la válvula debe permanecer fría.

12) Si la tubería de derivación se calienta en este punto, los gases de escape se fugan por la válvula de derivación, y ésta debe reemplazarse o repararse.

13) Use la bomba para producir presión y abrir la válvula de derivación de los gases de escape según la especificación del fabricante.

14) Toque la tubería de derivación. Debe empezar a calentarse a medida que se abre la válvula de derivación de gases de escape.

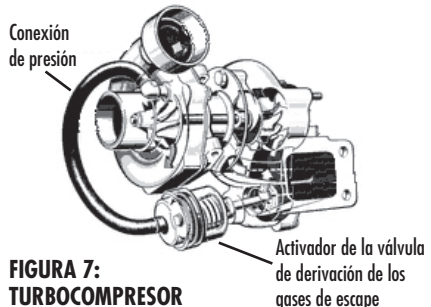


FIGURA 7:
TURBOCOMPRESOR

VÁLVULA DE DERIVACIÓN DE LOS GASES DE ESCAPE

15) Si no es así, la válvula está atascada en la posición cerrada y debe reemplazarse o repararse.

16) Una vez que se completen las pruebas, purgue la presión de la bomba y observe el cierre de la válvula de derivación.

Pruebas de banco

Se debe usar una bomba manual Mityvac para efectuar pruebas de banco de la válvula de derivación de los gases de escape del turbocompresor, y ajustar el brazo de control después de su reemplazo o reparación. Siga los procedimientos del fabricante para realizar estas pruebas y ajustes de precisión.

RECIRCULACIÓN DE LOS GASES DE ESCAPE

El sistema de recirculación de gases de escape se usa en la mayoría de los motores modernos para reducir las emisiones de óxidos de nitrógeno (NOx). Durante el proceso de combustión, el nitrógeno, que constituye el 80 por ciento del aire, se mezcla con oxígeno a temperaturas superiores a 1400°C. Durante este proceso de combustión, la temperatura en el cilindro subirá por encima de 1900°C creando las condiciones ideales para la formación de NOx.

OPERACIÓN DEL SISTEMA

Para reducir la formación de NOx es necesario reducir la temperatura de combustión. Generalmente esto se consigue recirculando los gases de escape a las cámaras de combustión a través de una válvula. Esta válvula (FIGURA 8) puede hacerse funcionar mediante un vacío conectado por encima de las placas del acelerador o mediante un sistema de control sofisticado que regula la cantidad de recirculación de gases de escape dependiendo de la temperatura del refrigerante, temperatura ambiente, velocidad o

carga del motor. Las válvulas de recirculación de los gases de escape que no cuenten con un sistema de control sofisticado deben mantenerse totalmente cerradas con un vacío de 2" de Hg, empezarse a abrir entre 2" y 8.5", y abrirse completamente por encima de 8.5" de Hg. Con el motor al ralentí y con el acelerador completamente abierto, el vacío conectado es bajo y la válvula debe estar cerrada.

Algunos automóviles usan una válvula de transductor de contrapresión para modular la operación del sistema de recirculación de los gases de escape, mientras que otros disponen de un amplificador de vacío para realizar la misma tarea. El efecto de estos dispositivos es modular la cantidad recirculada de gases de escape de acuerdo con la carga del motor. Para mejorar la conducción en frío, muchos automóviles están equipados con cierto tipo de dispositivo de control de vacío para cerrar el paso de los gases de escape cuando el motor esté frío.

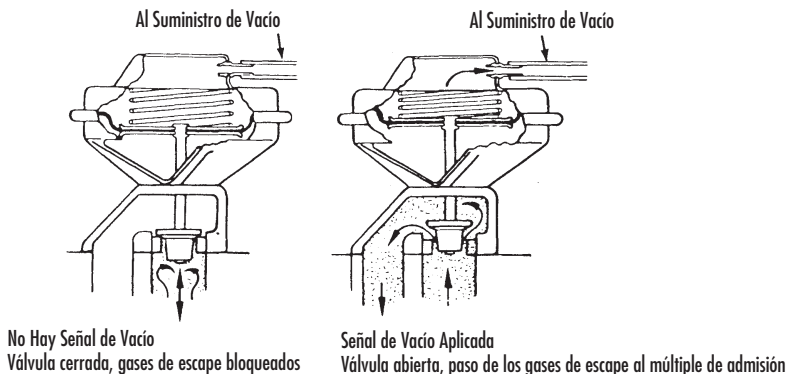


FIGURA 8: OPERACIÓN DE LA VÁLVULA DE RECIRCULACIÓN DE LOS GASES DE ESCAPE

RECIRCULACIÓN DE LOS GASES DE ESCAPE

Los sistemas de recirculación de los gases de escape suelen fallar de dos formas. La válvula puede fallar debido a una avería propia, tal como la ruptura de un diafragma, o debido a una pérdida del vacío que la controla. Antes de sustituir la válvula, asegúrese siempre de que la manguera conectada a la válvula de recirculación de los gases de escape transmita el vacío que ésta necesita. Conecte la bomba a la manguera de suministro de vacío de la válvula de recirculación de los gases de escape y compruebe que a 2000 rpm existe un vacío de 4 a 5" de Hg. Recuerde también que cuando los conductos de los gases de escape conectados a la válvula estén atascados, pueden limitar el flujo incluso cuando se abra la válvula.

La válvula de recirculación que se mantenga abierta continuamente hará que el ralenti del motor sea irregular, que el motor se cale, y que pierda compresión y suavidad con el acelerador completamente abierto. La válvula normalmente no se cierra cuando hay suciedad o cuando el asiento está dañado. Las válvulas de recirculación de los gases de escape puede funcionar normalmente con el motor caliente, pero pueden continuar abiertas con el motor en frío. Esta situación puede surgir debido a algún mecanismo interruptor térmico dañado que no corta el suministro de vacío cuando el motor está frío.

PROCEDIMIENTO DE REPARACIÓN – PRUEBA GENERAL (EXCEPTO LOS TIPOS FABRICADOS POR GM O CONTROLADOS POR CONTRAPRESIÓN)

Si los síntomas del motor le hacen pensar que alguna válvula de recirculación de los gases de escape se mantiene abierta constantemente, siga este procedimiento:

1) Conecte un tacómetro al motor y haga funcionar el motor al ralenti hasta que alcance la temperatura normal de funcionamiento. Use la bomba para probar si existen al menos 10" de presión en la válvula. Vuelva a conectar la manguera y anote las rpm del motor.

2) Desconecte la manguera de vacío del motor y observe si aumentan las rpm del motor.

3) Si aumenta la velocidad del motor, es posible que exista algún tipo de problema en el circuito de control de vacío. Compruebe el tendido de todas las mangueras de vacío.

4) Si cambia la velocidad del motor o la calidad del ralenti, quite la válvula y compruebe el tetón y el asiento de la válvula para asegurarse de que ambos estén limpios. Si no están limpios, sustituya la válvula, la junta y el adaptador si están quemados, deformados o dañados.

Si los síntomas del motor le hacen pensar que alguna válvula de recirculación de los gases de escape se mantiene cerrada constantemente, siga este procedimiento:

1) Haga funcionar el motor al ralenti hasta que alcance la temperatura normal de funcionamiento. Use la bomba para probar si existen al menos 10" de Hg de vacío en la válvula. Aumente la velocidad del motor hasta unas 2000 rpm. Conecte la manguera de suministro de vacío. Conecte la bomba a la válvula de recirculación y aplique un vacío de 10 a 15" de Hg.

2) Se debe abrir el diafragma y se debe observar una reducción de las RPM del motor. Si no es así, la válvula es defectuosa o los conductos del múltiple están atascados. Rompa el vacío en la válvula de recirculación de los gases de escape.

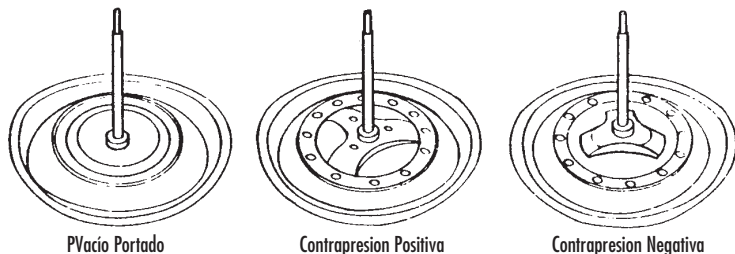


FIGURA 9: DIAFRAGMAS DE RECIRCULACIÓN DE LOS GASES DE ESCAPE FABRICADOS POR GM

RECIRCULACIÓN DE LOS GASES DE ESCAPE

3) Se debe cerrar el diafragma y se debe observar un aumento en las rpm del motor. Vuelva a hacer funcionar el motor al ralentí y apáguelo.

4) Conecte la bomba a la válvula de recirculación de los gases de escape y sométala a una prueba aplicando un vacío de al menos 9" de Hg al diafragma. Observe la aguja del manómetro detenidamente para ver si se pierde vacío.

5) Si el diafragma de la válvula no se mueve, o no puede mantener el vacío, sustituya la válvula de recirculación de los gases de escape.

PROCEDIMIENTO DE REPARACIÓN – VÁLVULAS DE RECIRCULACIÓN DE LOS GASES DE ESCAPE DE GM

General Motors fabrica tres tipos de válvulas de recirculación de los gases de escape. Cada una de las válvulas puede identificarse mediante el diseño

de la placa del diafragma (FIGURA 9). La primera válvula es de vacío conectado y tiene sólo una nervadura circular en la parte anterior de la placa del diafragma. La segunda válvula es de contrapresión positiva con dos nervaduras cruzadas en forma de X que sobresalen sólo un poco por encima del diafragma. Finalmente, existe una tercera válvula de contrapresión negativa con dos nervaduras cruzadas en forma de X que sobresalen mucho por encima del diafragma. Las válvulas de vacío conectado y de contrapresión negativa se prueban de la misma forma. Se utiliza un método de prueba distinto para las válvulas de contrapresión positiva.

PRUEBA DE LAS VÁLVULAS DE RECIRCULACIÓN DE LOS GASES DE ESCAPE DE CONTRAPRESIÓN NEGATIVA Y VACÍO CONECTADO FABRICADAS POR GM

1) Asegúrese de que todas las mangueras de vacío

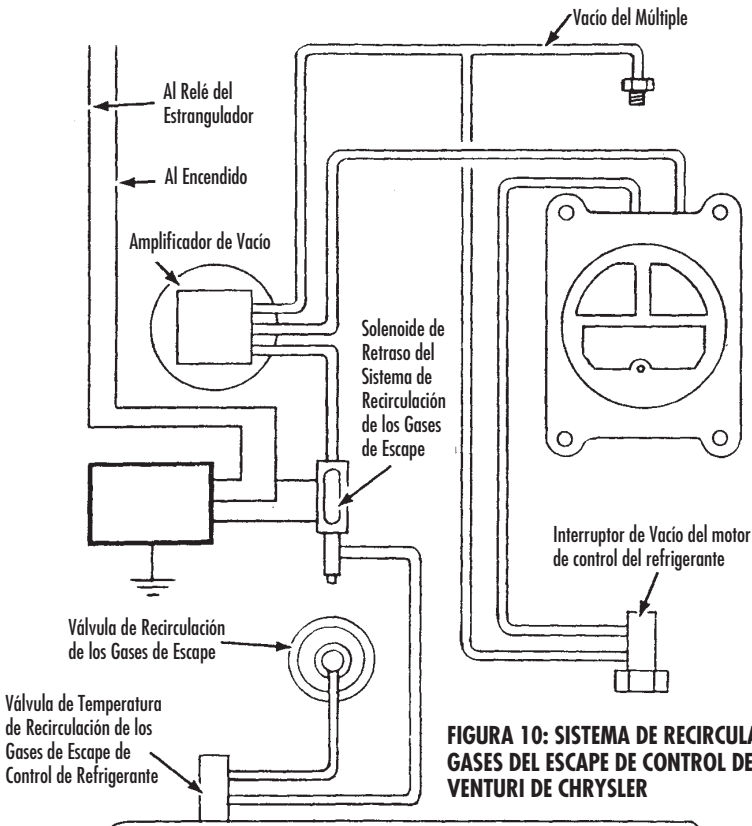


FIGURA 10: SISTEMA DE RECIRCULACIÓN DE LOS GASES DEL ESCAPE DE CONTROL DE VACÍO POR VENTURI DE CHRYSLER

RECIRCULACIÓN DE LOS GASES DE ESCAPE

estén tendidas de acuerdo con la etiqueta de control de emisiones.

2) Compruebe si hay obstrucciones en la conexión de vacío a la válvula de recirculación de los gases de escape.

3) Conecte la bomba entre la válvula de recirculación de los gases de escape y el carburador o el suministro de vacío. Arranque el motor y hágalo funcionar al ralentí hasta que alcance la temperatura normal de funcionamiento (195 °F aproximadamente). Compruebe el vacío a 3000 rpm. La lectura debe ser de 5" de Hg como mínimo.

4) Si no se detecta ningún vacío en el paso 3, observe la lectura entre el interruptor térmico de vacío y el carburador. Si obtiene una lectura de vacío en ese lugar sustituya el interruptor térmico de vacío.

5) Si el suministro de vacío entre la válvula de recirculación de los gases de escape y el carburador es adecuado, conecte la bomba a la entrada de la válvula de recirculación de los gases de escape. Haga presión sobre el diafragma de la válvula y aplique aproximadamente 10" de Hg de vacío a la válvula. Suelte el diafragma y observe el tiempo que tarda en volver a la posición de asiento.

6) Si tarda menos de 20 segundos, sustituya la válvula.

PRUEBA DE LAS VÁLVULAS DE RECIRCULACIÓN DE LOS GASES DE ESCAPE DE CONTRAPRESIÓN POSITIVA FABRICADAS POR GM

1) Siga los pasos 1 a 4 de la prueba de la válvulas de recirculación de los gases de escape de contrapresión negativa y vacío conectado.

2) Quite la válvula del motor. Conecte la bomba a la entrada de la válvula de aplique 10" de Hg de vacío. La válvula no debe abrirse. Si se abre, sustituya la válvula.

3) Continúe la prueba de la válvula manteniendo el vacío aplicado y lanzando aire de baja presión por la entrada de escape de la válvula. La válvula debe abrirse. Si no se abre, sustituya la válvula.

AMPLIFICADOR DE VACÍO DE VENTURI DEL SISTEMA DE RECIRCULACIÓN DE LOS GASES DE ESCAPE

Algunos motores disponen de un amplificador de vacío de venturi que utiliza la señal de vacío débil procedente del cuello del carburador para permitir el paso del vacío más fuerte del múltiple de admisión a fin de operar la válvula de recirculación. En la mayoría de las aplicaciones el amplificador proporciona un refuerzo de 2" de Hg a la señal del venturi (FIGURA 10).

PROCEDIMIENTO DE REPARACIÓN

1) Haga funcionar el motor al ralentí hasta que alcance la temperatura normal de operación.

2) Asegúrese de que la manguera que va desde el múltiple de admisión al amplificador esté bien conectada. En los sistemas que tengan un depósito, desconecte la manguera del depósito y utilice un conector en "T" para unir la manguera a la manguera de vacío del múltiple de admisión.

3) Use tramos de manguera separados y conectores diferentes para poner en derivación cualquiera o todas las válvulas de vacío o las válvulas controladas por refrigerante ubicadas entre la válvula de recirculación y el amplificador.

4) Utilice un conector en "T" para conectar la bomba al conducto de vacío entre el amplificador y la válvula de recirculación.

5) Aumente la velocidad del motor a 1500/2000 rpm y suelte el acelerador. Deje que el motor vuelva al ralentí y desconecte la manguera de vacío en el venturi del carburador. La lectura de vacío debe tener una tolerancia de ± 0.3 " de Hg con respecto al refuerzo especificado para ese amplificador, en el caso de que se especifique un vacío distinto de cero. Un refuerzo cero puede indicar entre 0" y 0.5" de Hg. Sustituya el amplificador si no cumple con la especificación.

6) Aumente la velocidad del motor. Observe la lectura del manómetro de vacío y suelte el acelerador cuando se alcancen de 1500 a 2000 rpm. Si la lectura de vacío del manómetro muestra un

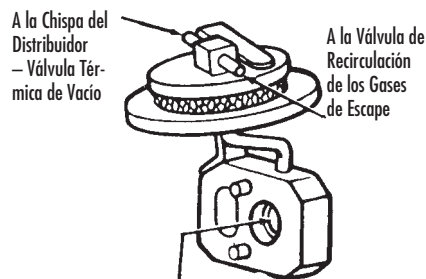
RECIRCULACIÓN DE LOS GASES DE ESCAPE

incremento superior a 1" de Hg durante el período de aceleración, se debe sustituir el amplificador.

7) Desconecte la bomba del conducto de salida de vacío y vuelva a conectar las mangueras, pero siga derivando las demás válvulas. Conecte la bomba y aplique un vacío de 2 a 4" de Hg al orificio del amplificador conectado normalmente al vacío del múltiple de admisión. La válvula de recirculación de los gases de escape deberá funcionar y el ralentí del motor debe disminuir o ser irregular. Si no se mueve la válvula de recirculación sustituya el amplificador.

OPERACIÓN DE LA VÁLVULA TRANSDUCTORA DE CONTRAPRESIÓN

La válvula transductora de contrapresión controla la cantidad de gases recirculados según la carga del motor. Se introduce una sonda de presión en el conducto de cruce del escape para tomar una muestra de los gases de escape. Durante el funcionamiento del motor con cargas ligeras, la presión en el cruce del escape es relativamente pequeña, mientras que durante el funcionamiento con el acelerador completamente abierto, la presión es máxima. La señal de la presión se transmite al diafragma de la válvula transductora de contrapresión y se utiliza para controlar el vacío que se debe aplicar a la válvula de recirculación de los gases de escape (FIGURA 11).



Expuesta a la Presión de los Gases de Escape

FIGURA 11: VÁLVULA TRANSDUCTORA DE CONTRAPRESIÓN DE GASES DE ESCAPE

PROCEDIMIENTOS DE REPARACIÓN

1) Quite el filtro de aire y tapone la conexión del múltiple de admisión. Haga funcionar el motor al ralentí hasta que alcance la temperatura normal de operación. Coloque el seguidor de la leva de ralentí alto en el segundo escalón de la leva de ralentí alto (para obtener unas 1500 rpm). A continuación observe las rpm del motor con un tacómetro y utilice la bomba para probar el suministro de vacío en la fuente del múltiple (FIGURA 12). Observe esta lectura.

2) Conecte la bomba con un conector en "T" al conducto de vacío de la válvula transductora de contrapresión. La lectura debe ser de 1 a 2" de Hg. Sustituya la válvula transductora de contrapresión si la lectura no cumple con las especificaciones.

3) Deje el manómetro de vacío en esta posición, desconecte la manguera de la válvula de recirculación de los gases de escape y tapone la abertura de la manguera. Tome la lectura del manómetro de la bomba. Esta lectura debe ser la misma que la lectura del múltiple de admisión. Si esta lectura no se aproxima menos de 2" de Hg a la lectura tomada del suministro de vacío, sustituya la válvula transductora de contrapresión.

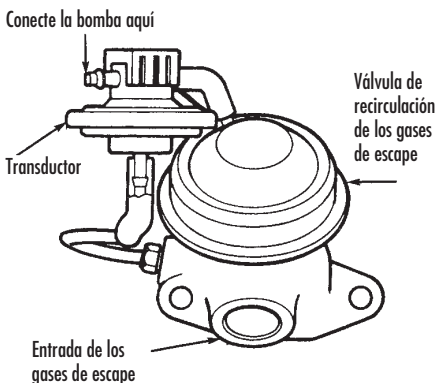


FIGURA 12: PRUEBA CON LA BOMBA EL SUMINISTRO DE VACÍO PARA LA VÁLVULA TRANSDUCTORA DE CONTRAPRESIÓN

OPERACIÓN DE LA VÁLVULA DE RETRASO DE ENCENDIDO

Las válvulas de retraso de encendido tienen como función retrasar el suministro de vacío al mecanismo activador de avance de vacío del distribuidor durante aceleraciones bruscas, para retrasar la activación del sistema termoactuador de reacción de inducción de aire cuando el motor funciona al ralentí durante periodos largos, y para retrasar la aplicación de vacío al diafragma del estrangulador automático durante el funcionamiento del motor en frío. En algunos motores hay instalada una válvula de metal sinterizado en el diafragma de avance (exterior) de vacío de la unidad de control del distribuidor. La función de esta válvula es retrasar el avance del encendido durante las aceleraciones rápidas para reducir al mínimo la formación de NOx. El metal sinterizado es poroso y permite purgar el vacío a través de la válvula comportándose como un orificio de unos 0.05 mm de diámetro. El control se obtiene variando el número de discos en cada conjunto de válvula de modo que el retraso pueda adaptarse al motor (FIGURA 13).

PROCEDIMIENTOS DE REPARACIÓN

El retraso de la válvula varía con la aplicación del motor. Las distintas válvulas pueden identificarse por el color y el número de pieza. Las válvulas de retraso de encendido no pueden repararse y deben sustituirse cada 12.000 millas, ya que los poros del metal sinterizado se llenan de polvo, lo que puede reducir el rendimiento de la válvula. NOTA: La válvula de retraso de encendido sólo admite flujo en una dirección, por lo que debe instalarse siempre con la parte negra apuntando al orificio de vacío del carburador. Para determinar si funciona bien

una válvula de retraso de encendido, siga el procedimiento de diagnóstico indicado a continuación:

- 1) Con la transmisión en neutral, ponga el carburador en la posición de ralentí rápido, quite la válvula de retraso de encendido y conecte la bomba de vacío a la manguera que va hacia al orificio de encendido del carburador usando un conector en "T".
- 2) Anote la lectura de vacío. Debe estar comprendida entre 10" y 16" de Hg.
- 3) Apriete la manguera de vacío cerrando el paso y compruebe si el manómetro mantiene el nivel de vacío. Si el manómetro muestra que el vacío baja con la manguera apretada, el manómetro o la manguera de vacío tienen fugas que deben corregirse.
- 4) Conecte ahora la parte negra de la válvula de retraso de encendido a la manguera de vacío que va al orificio de encendido del carburador. Conecte un extremo de la manguera de vacío a la bomba y el otro extremo al extremo del distribuidor de la válvula de retraso de encendido. Mida los segundos que tarda el manómetro en alcanzar 6" de Hg, con un suministro de vacío de 10 a 16" de Hg. Si el vacío alcanza una lectura de 6" de Hg en menos de 2 segundos, independientemente del tipo de válvula, ésta debe ser sustituida. Cuando compruebe la válvula, debe tener cuidado de no permitir la entrada de aceite o suciedad en la misma, ya que puede impedir su funcionamiento.

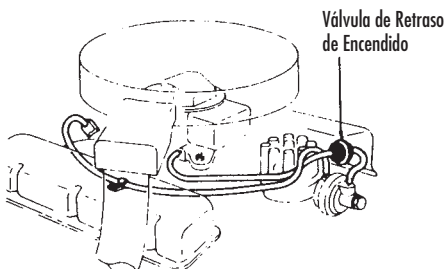


FIGURA 13: VÁLVULA DE RETRASO DE ENCENDIDO TÍPICA

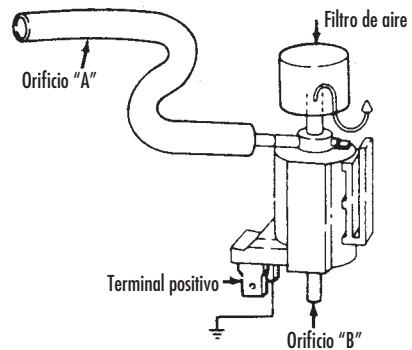


FIGURA 14: SOLENOIDE DE VACÍO TÍPICO

SOLENOIDE ELÉCTRICO/DE VACÍO

PROCEDIMIENTO DE REPARACIÓN

1) Desconecte los conectores de vacío y eléctricos del solenoide. Conecte la bomba al orificio "B" y trate de aplicar vacío con la bomba. El vacío debe romperse por el orificio "A" (FIGURA 14).

2) Use cables auxiliares para conectar el terminal negativo del solenoide a tierra y aplicar 12 voltios al terminal positivo. Aplique un vacío al orificio "B".

El vacío debe mantenerse. Si el solenoide no puede mantener el vacío, cámbielo.

3) Con el solenoide aún conectado eléctricamente, conecte la bomba de vacío al orificio "A" e intente aplicar vacío. El vacío debe romperse por el filtro de aire y no debe haber vacío en el orificio "B".

VÁLVULAS DE INTERCAMBIO DE VACÍO ACCIONADAS TÉRMICAMENTE

PROCEDIMIENTO DE REPARACIÓN

Estas válvulas de control se denominan interruptores de vacío conectado (PVS) en los motores Ford, válvulas de control de encendido térmico (TIC) en los motores Chrysler e interruptores de vacío térmicos del distribuidor (DTVS) en los motores General Motors. La válvula de dos orificios se utiliza para detener la recirculación de los gases de escape cuando el motor está frío. Este tipo de interruptor térmico es necesario para permitir una buena conducción del vehículo al limitar la entrada de los gases de recirculación hasta que el motor esté caliente. La válvula de tres orificios se denomina normalmente interruptor de vacío conectado del sistema de enfriamiento porque cambia el vacío al distribuidor de vacío conectado a vacío de admisión total.

La válvula de cuatro orificios se ha usado en ciertos motores Ford para derivar la válvula de retraso de encendido y anular el sistema de recirculación de los gases de escape hasta que el motor esté caliente.

PROCEDIMIENTOS DE REPARACIÓN

Siga este procedimiento para probar la válvula interruptora de vacío de dos orificios:

1) Aplique un vacío de 10" de Hg con la bomba al orificio inferior de la válvula y mida los resultados con un segundo manómetro de vacío según se muestra en la ilustración (FIGURA 13).

2) Las válvulas están codificadas con colores. La válvula verde debe abrirse y transmitir el vacío a 68°F y la válvula negra a 100°F.

3) Si el vacío se transmite totalmente por la válvula cuando está caliente, esto significa que está en buenas condiciones. Si el vacío no se transmite o si se transmite cuando el refrigerante está frío, sustituya la válvula.

Siga este procedimiento para probar la válvula interruptora de vacío de tres orificios:

1) Aplique un vacío de 10" de Hg al orificio intermedio de la válvula con la bomba y conecte un manómetro de vacío a cada uno de los otros dos orificios.

2) Consulte las mismas válvulas codificadas por color y las mismas especificaciones de temperatura que para la válvula de dos orificios indicada arriba. Si el vacío cambia a la temperatura especificada, la válvula está en buenas condiciones. Si no hay vacío en el orificio inferior por encima de la temperatura especificada, sustituya la válvula.

La válvula de cuatro orificios debe probarse dos veces, una vez en los dos orificios superiores y otra vez en los dos orificios inferiores según se muestra en la ilustración de la FIGURA 15.

1) Aplique un vacío de 10" de Hg con la bomba a uno de los dos orificios superiores. La válvula debe mantener el vacío cuando se alcance la temperatura de operación especificada arriba.

2) Si el vacío se transmite cuando la válvula está caliente, sustitúyala.

3) Para los dos orificios inferiores, el vacío debe transmitirse por la válvula sólo cuando el motor esté caliente. De no ser así, sustituya la válvula.

VÁLVULAS DE INTERCAMBIO DE VACÍO ACCIONADAS TERMICAMENTE

Código de Color	Refrigerante por encima de esta temperatura
Verde	68°F
Negro	100°F
Sin color o azul	133°F

RESULTADOS:	
Sin vacío	Sustituya la válvula del interruptor de vacío conectado
Con vacío	Válvula del interruptor de vacío conectado abierta
Con vacío con el refrigerante frío	Sustituya la válvula del interruptor de vacío conectado

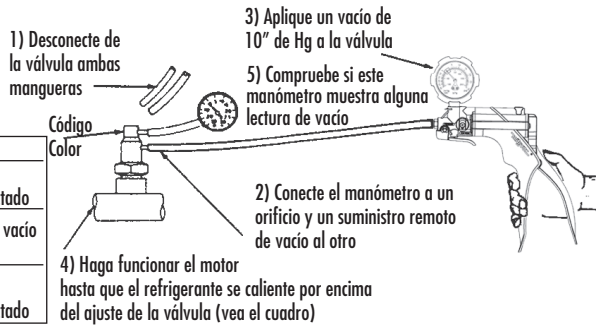
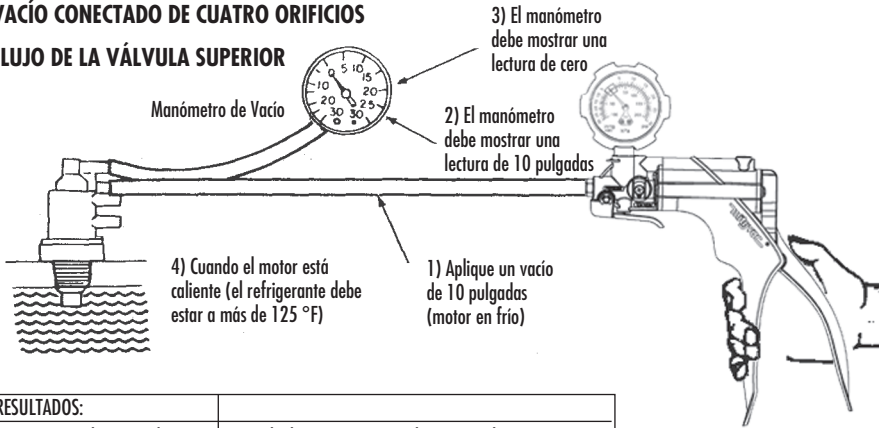


FIGURA 15: PRUEBA DEL INTERRUPTOR DE VACÍO CONECTADO DE DOS ORIFICIOS

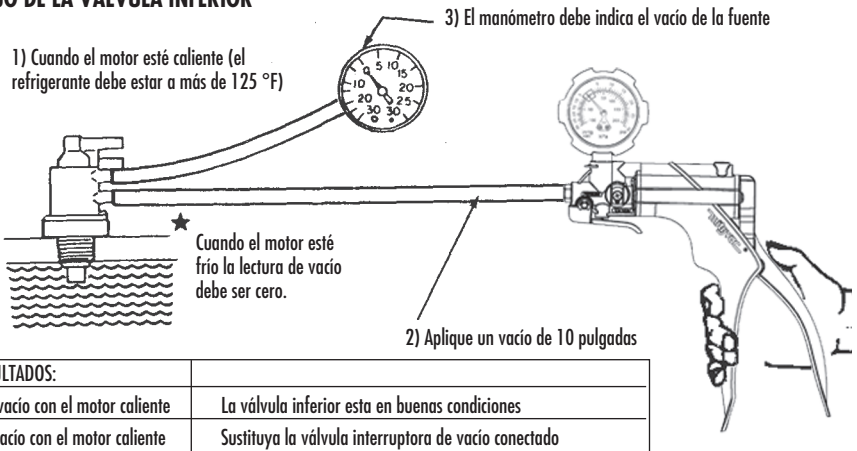
PRUEBA DE LA VÁLVULA INTERRUPTORA DE VACÍO CONECTADO DE CUATRO ORIFICIOS

FLUJO DE LA VÁLVULA SUPERIOR



RESULTADOS:	
Sin vacío con el motor caliente	La válvula superior esta en buenas condiciones
Con vacío con el motor caliente	Sustituya la válvula interruptora de vacío conectado

FLUJO DE LA VÁLVULA INFERIOR



RESULTADOS:	
Con vacío con el motor caliente	La válvula inferior esta en buenas condiciones
Sin vacío con el motor caliente	Sustituya la válvula interruptora de vacío conectado

FIGURA 16: PRUEBA DEL INTERRUPTOR DE VACÍO CONECTADO DE CUATRO ORIFICIOS

JUEGO DE RELLENO DE FLUIDO AUTOMÁTICO

En el juego de la bomba se incluyen componentes diseñados para mantener automáticamente un nivel constante de fluido nuevo en el cilindro principal o en el depósito del embrague hidráulico mientras se purga en vacío. Los componentes incluyen dos adaptadores de tapas que se adaptan a la mayoría de las botellas de fluidos para frenos de una pinta y de un cuarto de galón (1 1/4" lado de la boca) y tres placas de relleno del cilindro principal/depósito.

OPERACIÓN DEL SISTEMA

- 1) Evacúe tanto fluido viejo como sea posible del cilindro principal o del depósito del embrague.
- 2) Vuelva a poner la tapa en una botella de una pinta o de un cuarto de galón de nuevo fluido para frenos con el adaptador de tapa apropiado.
- 3) Seleccione la placa de relleno apropiada y póngala en la parte de arriba del cilindro principal o del depósito del embrague.
- 4) Invierta la botella de fluido con el adaptador del alimentador conectado, e introduzca el adaptador del alimentador en el agujero de la placa del cilin-

dro principal. Empuje hacia abajo la botella hasta que el adaptador del alimentador encaje a presión en la placa de relleno.

- 5) Purgue el freno hidráulico o el sistema del embrague.

NOTA: Tenga cuidado al insertar y quitar la botella de fluido para frenos para evitar que se derrame.

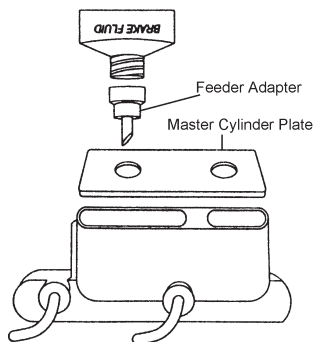


FIGURE 17:
JUEGO DE RELLENO DE FLUIDO AUTOMÁTICO

PURGA DE SISTEMAS DE FRENO

Muchos sistemas de freno actuales vienen equipados con funciones antibloqueo (ABS) y controles electrónicos. Muchos de estos sistemas utilizan una bomba eléctrica de alta presión para mantener el sistema a presión. La reparación o purga de estos sistemas de frenos requiere seguir procedimientos especiales y tener en cuenta ciertas precauciones.

Observe las siguientes precauciones siempre que se disponga a reparar sistemas de freno antibloqueo:

Lleve puestas SIEMPRE gafas protectoras cuando se disponga a reparar sistemas de frenos de alta presión.

Descomprima SIEMPRE el sistema de freno antibloqueo antes de añadir líquido de frenos o antes de reparar o realizar tareas de mantenimiento.

A menos que lo indique el procedimiento establecido por el fabricante, no abra NUNCA ninguna válvula de purga ni afloje ninguna tubería hidráulica con el sistema de freno antibloqueo a presión. Utilice

SOLAMENTE líquidos de freno recomendados. En vehículos equipados con sistemas de freno antibloqueo, NO utilice líquidos de frenos a base de silicona.

Para obtener información detallada sobre sistemas de freno antibloqueo consulte siempre el manual de reparaciones correspondiente.

ALIVIO DE PRESIÓN DE SISTEMAS DE FRENO ANTIBLOQUEO

Para obtener información detallada sobre el procedimiento de alivio de presión, consulte siempre el manual de usuario del vehículo o un manual de reparación apropiado. El procedimiento que se indica a continuación suele ser válido para la mayoría de los sistemas de freno antibloqueo. Asegúrese de que el interruptor de arranque esté en la posición de apagado, o desconecte el cable negativo de la batería. Pise el pedal del freno de 25 a 40 veces. Cuando note un cambio considerable,

PURGA DE SISTEMAS DE FRENO

pise el pedal unas cuantas veces más. Esto aliviará la presión en la mayoría de los sistemas. Abra con cuidado el depósito del líquido de frenos o los tubos del líquido de frenos. Rellene completamente el depósito del líquido de frenos y cuando haya terminado vuelva a conectar el cable de la batería.

PURGA DE SISTEMAS DE FRENO ANTIBLOQUEO

Para obtener información detallada sobre el procedimientos de purga del líquido de frenos, consulte siempre un manual de reparación. Los frenos delanteros en la mayoría de los sistemas de freno antibloqueo se purgan manera convencional. La mayoría de las bombas hidráulicas y acumuladores de presión están provistos de una válvula de purga que se debe abrir para purgar el sistema de frenos cuando el sistema haya perdido líquido o se vaya a reemplazar. En algunos vehículos es necesario que el sistema esté a presión al purgar los frenos traseros. Algunos fabricantes automotrices usan procedimientos de purga que requieren equipos especializados.

PURGA DE LOS TUBOS DE LIQUIDO DE FRENOS

La mayoría de los problemas relacionados con pedales que haya que pisar demasiado o que se sientan blandos suelen deberse a la presencia de aire en los tubos hidráulicos, lo que hace necesario purgar el sistema hidráulico. Este sistema puede purgarse fácilmente usando la bomba y accesorios de purga. Purgue las ruedas de una en una empezando por la rueda más cercana al cilindro maestro. El juego proporciona un método sencillo, limpio y rápido para purgar los tubos del líquido de frenos de automóviles. La creación de vacío en el vaso del recipiente hace que el líquido sea aspirado hacia el vaso. Se debe tener en cuenta que posiblemente se observe un flujo pequeño de burbujas en la manguera una vez que se haya purgado todo el líquido de los tubos. Esto se debe a la aspiración de la bomba que hace que se infiltre aire por las roscas de la conexión de purga aflojada. Una vez que se elimine todo el aire del sistema, estas pequeñas burbujas no afectarán negativamente la purga, ya que sólo están presentes en la conexión y no

pasarán al sistema. Si lo desea puede poner un poco de grasa en las roscas de la conexión para eliminar la mayoría de las burbujas. A continuación se indica el procedimiento de purga correcto:

1) Asegúrese siempre de que el depósito del cilindro maestro esté lleno y de tener a mano líquido adicional de frenos nuevo para llenar al máximo el depósito cuando el nivel de líquido baje durante la purga. Asegúrese de que todas las conexiones de purga estén limpias antes de empezar la purga.

2) Purgue el sistema hidráulico siguiendo este orden: a) Conexiones de purga del cilindro maestro, de haberlas. (Si va a instalar un cilindro maestro nuevo o reconstruida siga el procedimiento indicado a continuación para purgar en el banco de trabajo. b) Las conexiones de purga de la válvula de combinación, de haberlas. c) Los cilindros y horquillas de las ruedas, en secuencia, empezando por la rueda más próxima al cilindro maestro y terminando por la rueda más alejada.

NOTA: Se recomienda seguir el orden del fabricante (si se sabe). El procedimiento dado en este artículo especifica que se debe empezar a purgar la rueda más próxima al cilindro maestro. Sea cual sea el orden usado, asegúrese de purgar todo el aire del sistema.

3) Introduzca deslizando $1\frac{1}{2}$ " de tubo entre la bomba y la tapa del vaso del depósito, en el orificio marcado "TO PUMP" (a la bomba) (FIGURA 18).

4) Conecte un tubo de plástico de unas 12" a la parte inferior de la tapa.

5) Conecte aproximadamente un tubo de 12" al otro orificio del vaso del depósito. Asegúrese de que la tapa del depósito esté bien cerrada, pero no la apriete demasiado.

6) Seleccione los adaptadores apropiados. Los adaptadores universales en forma de L deben encajar de forma ajustada sobre la conexión de purga del freno para sellarla debidamente. Los adaptadores cónicos encajan por el agujero pasante y generalmente producirán un buen sellado cuando se introduzcan de forma apretada

PURGA DE SISTEMAS DE FRENO

con un movimiento de presión y torsión. Conecte el adaptador a la manguera del depósito.

7) Ponga la llave en la conexión de purga del freno, conecte el conjunto de adaptador y bomba y bombee de 10 a 15 veces.

NOTA: Si las burbujas que salen de la conexión son muy pequeñas y de tamaño uniforme, es probable que el aire proceda del interior del sistema. No es necesario eliminar estas burbujas ya que no afectan el funcionamiento de los frenos. Si se desea, generalmente se pueden eliminar estas burbujas aplicando grasa o una cinta adhesiva de Teflon en las roscas para actuar como un sello.

8) Afloje un poco la conexión, sólo lo suficiente como para hacer que el líquido entre en el vaso (aproximadamente de $\frac{1}{4}$ a $\frac{1}{2}$ vuelta).

9) Apriete la conexión una vez evacuadas unas 2" de líquido en el vaso. Mantenga el cilindro maestro lleno.

Repita todos los pasos anteriores en las demás ruedas. Si no pasa líquido al vaso después de abrir la conexión, asegúrese de que la tapa del vaso esté bien apretada. Si la tapa no está apretada firmemente no podrá generar suficiente vacío en el vaso. Ocasionalmente entrará suciedad en los tubos del líquido de frenos. En ese caso es posible que la bomba no sea completamente efectiva. Si ocurre esto, pida a alguien que pise el pedal del freno ligeramente una vez, con la válvula de purga abierta, y después continúe usando la bomba.

PROCEDIMIENTO DE PURGA EN MOTOCICLETAS

Antes de purgar el sistema, cerciórese de lo siguiente:

- 1) Los pistones de la horquilla del freno se pueden mover libremente dentro de las horquillas.
- 2) El pistón del cilindro maestro puede regresar libremente al final de su carrera.
- 3) Inspeccione todas las conexiones del tubo para comprobar que estén bien apretadas.

FRENO DELANTERO

1. Bombee la palanca del freno para asentar las pastillas de la horquilla contra el rotor.
2. Cubra el depósito de gasolina con plástico si está usando líquido DOT 3 (no es necesario hacer esto si está usando líquido DOT 5).
3. Quite la tapa del depósito del cilindro maestro y llénelo.
4. Seleccione los adaptadores apropiados. Los adaptadores de presión (en forma de "L") son de distintos tamaños (pequeño, mediano y grande). Debe poder apretarse bien en la conexión de purga del freno para sellarlo bien. Los adaptadores cónicos se ajustan dentro del agujero pasante de la conexión y por lo general producirán un buen sellado cuando se introducen de forma ajustada haciendo fuerza y girando firmemente. Conecte el adaptador a la manguera del depósito.

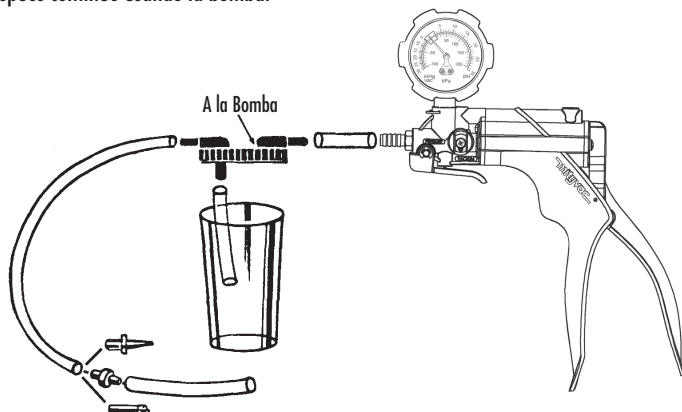


FIGURA 18: JUEGO DE PURGA DEL FRENO

PURGA DE SISTEMAS DE FRENO

5. Bombee varias veces para producir un vacío. Abra ligeramente la válvula de purga con una llave de tubo para extraer líquido al recipiente. (Pare y añada líquido cuando el nivel del cilindro maestro sea bajo. No permita la entrada de aire en el tubo). En este momento, todo el aire debe estar fuera del sistema y el tubo debe estar lleno de líquido. (Nota: Si entra aire en la manguera de la bomba alrededor de la conexión de purga, quite la conexión de purga y ponga cinta de Teflon solamente en la parte roscada del tornillo de purga).

6. Apriete la conexión de purga a la vez que mantiene el vacío en el tubo de la bomba.

7. Rellene el depósito y vuelva a poner la tapa. Compruebe el freno bombeando la palanca varias veces. Al pisar el pedal se debe sentir una resistencia firme y uniforme. Si no es así, repita el procedimiento de purga, ya que puede haber entrado más aire en el sistema. Inspeccione el tubo para asegurarse de que todas las conexiones estén bien apretadas. Si el freno parece estar aún flojo, consulte con un técnico de servicio.

En el caso de frenos delanteros de discos dobles, repita el procedimiento de purga como si se tratara de dos sistemas separados.

FRENO TRASERO

El procedimiento para eliminar todo el aire del tubo del freno trasero es idéntico al procedimiento para el freno delantero. El depósito del freno trasero se está ubicado generalmente debajo de una de las tapas laterales.

1. Quite la tapa del cilindro maestro y llene el depósito hasta casi llenarlo.

2. Conecte la manguera de la bomba a la conexión de purga y bombee la palanca varias veces para crear un vacío.

3. Abra ligeramente el purgador con una llave de tubo. Debido a la cortedad del tubo, la mayor parte del aire debe evacuarse la primera vez.

4. Al cerrar la válvula y repetir el proceso, se debe eliminar todo el aire del sistema. Pare y añada más líquido si baja el nivel en el cilindro maestro.

5. Rellene el depósito y vuelva a poner la tapa.

LOCALIZACIÓN Y RESOLUCIÓN DE PROBLEMAS

1. Si, después del procedimiento de purga, el freno sigue sin responder es posible que haya agua en el sistema, en cuyo caso tendrá que ser desmontado y limpiado por un técnico de servicio capacitado.

2. Si el freno chirria ligeramente después de purgarse, habrá que limpiar el disco y las pastillas del freno.

3. Aunque la mayoría de los fabricantes recomiendan el líquido DOT 3, este tiene tendencia a acumular humedad causando la pérdida de color común que se puede observar, lo que significa una menor eficiencia. El DOT 5 está basado en silicona y no tiene la misma tendencia a acumular humedad. Por otro lado, el DOT 5 no es fácil de conseguir, y los dos líquidos no deben mezclarse.

4. Las mangueras de goma son materiales de uso general en las motocicletas, pero tienen la tendencia de expandirse, lo que puede resultar en una reacción esponjosa del freno después de haber conducido el automóvil durante mucho tiempo. Las mangueras de acero trenzado no se expandirán así.

PURGA DE SISTEMAS DE FRENO

PURGA DEL CILINDRO MAESTRO EN EL BANCO DE TRABAJO

Siempre que se quite el cilindro maestro de un vehículo o que se instale uno nuevo, se debe purgar el cilindro en el banco de trabajo. No purgar este cilindro en el banco es la causa principal de hacer sustituciones incorrectas del cilindro. La purga en el banco de trabajo reduce considerablemente la posibilidad de que entre aire en el cilindro después de volverlo a instalar. Siga este procedimiento:

1) Tapone los orificios de salida del cilindro maestro y sujete el cilindro en una prensa de banco sin apretar mucho y con el extremo de la varilla de empuje un poco sacado. **NOTA:** Se puede dañar el cilindro si se sujeta por el interior o si los depósitos están demasiado apretados.

2) Llene el cilindro maestro con un líquido de frenos adecuado y manténgalo lleno durante todo este procedimiento.

3) Quite un tapón del cilindro maestro y conecte el adaptador apropiado a este orificio de salida del cilindro maestro. Conecte el tubo de la bomba al vaso del depósito y el tubo del vaso a la manguera

al adaptador (FIGURA 19).

4) Accione la bomba y observe el paso de aire y líquido al depósito hasta que aparezca un líquido transparente sin burbujas.

5) Tapone bien el orificio de salida y repita el paso 4 en los otros orificios de salida.

6) Sujete el cilindro maestro en un tornillo de banco con el extremo de la varilla de empuje ligeramente bajado. Deslice lentamente la varilla de empuje del cilindro maestro hacia adentro y hacia afuera aproximadamente $\frac{1}{8}$ " , hasta que no observe burbujas de aire en los depósitos.

7) Vuelva a montar el cilindro maestro con el extremo de la varilla de empuje hacia arriba y repita los pasos 3 y 4 con los demás orificios de salida. Tapone bien los orificios. Ahora, el cilindro maestro estará purgado y listo para instalarse.

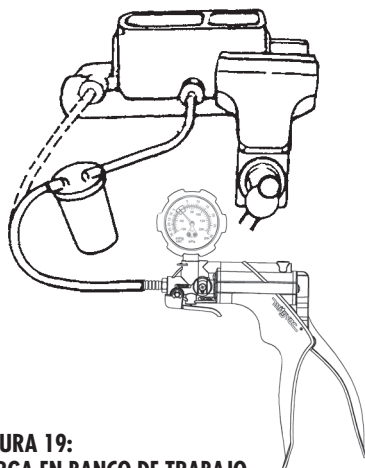


FIGURA 19:
PURGA EN BANCO DE TRABAJO

MANUEL D'UTILISATION

Une question technique?

Pour toute question ou en cas de besoin d'assistance technique, prendre contact avec nos techniciens spécialisés au : 1-314-679-4200, poste 4782, lundi – vendredi, 7 heures 30 à 16 heures 15 (heure normale du Centre des Etats-Unis)

Visiter notre site Web à www.mityvac.com pour nos nouveaux produits, nos catalogues et le mode d'emploi de nos produits.

Besoin de pièces détachées ?

Pour commander des pièces détachées, nous rendre visite en ligne à www.mityvacparts.com ou nous appeler sans frais au 1-800-002-9898.

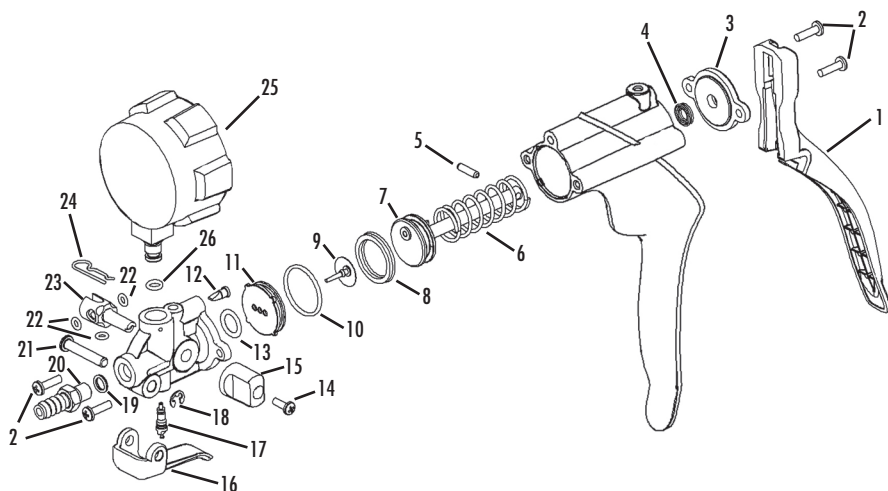


ATTENTION: Ne jamais dépasser la pression nominale du manomètre car celui-ci peut perdre sa précision et être endommagé définitivement.

TABLE DES MATIÈRES

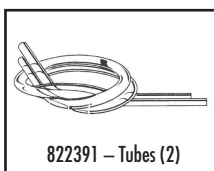
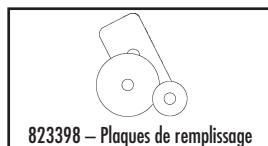
Pièces détachées et accessoires	53
La pompe	54
Le système à dépression des automobiles	55
Diagnostic des problèmes mécaniques d'un moteur.	57
Système de recyclage des gaz de carter	59
Régulateur de pression de carburant	60
Soupape de décharge de turbocompresseur	62
Recirculation des gaz d'échappement (RGE)	63
Valves de retard à l'allumage.	67
Électrovalve de dépression de commande de ralenti	68
Therموالves de dépression.	69
Nécessaire de remplissage de fluide automatique	71
Purge des freins	72
Garantie	76

PIÈCES DÉTACHÉES ET ACCESSOIRES



KITS D'ENTRETIEN DE POMPE

	801330	MVM8900	MVA6176	801333	801334	801335	801336
1	X						
2		X					
3					X		
4		X					
5		X					
6		X					
7		X					
8		X					
9		X					
10		X					
11						X	
12		X					
13		X					
14		X					
15		X					
16				X			
17		X					
18				X			
19							X
20							X
21				X			
22		X					
23		X					
24			X				
25			X				
26			X				



LA POMPE

La pompe à pression/dépression est un outil d'entretien extrêmement polyvalent qui peut être utilisé pour contrôler divers systèmes automobiles et accomplir un certain nombre de tâches très utiles. Bien que la pompe soit manifestement conçue pour contrôler divers moteurs d'aspiration, soupapes à dépression et sources de vide, ses applications ne s'y limitent pas. Pratiquement n'importe quel système ou pièce exigeant une bonne étanchéité et une pression ou dépression pour fonctionner peut être contrôlé au moyen de la pompe à dépression. La pompe et ses accessoires transfèrent également les fluides, facilitent la purge des freins et aident à accomplir d'autres tâches. La pompe est également conforme aux spécifications d'outils de diagnostic lorsque certains programmes de contrôle technique des véhicules exigent l'utilisation de tels outils.

Cette section décrit la pompe, mentionne ses caractéristiques techniques, indique le mode d'emploi de la pompe et donne quelques conseils d'entretien permettant de la maintenir en parfait état.

DESCRIPTION

La pompe à vide portable est simple, précise, facile. La pompe à pression/dépression à main est simple, précise, conviviale et offre de nombreuses applications. Elle se compose d'un corps de pompe, d'une poignée mobile, d'un manomètre/dépressiomètre combiné, d'un sélecteur de pression/dépression et d'un raccord. Il est facile de tenir la pompe dans la main et, lorsqu'on presse sa poignée, le raccord avant produit une pression ou une dépression. Si le raccord avant de la pompe est branché à un réservoir ou circuit hermétique, le niveau de vide ou de pression est indiqué.

Pour que le raccord de la pompe produise au choix un vide ou une pression, il suffit simplement de tourner le bouton qui se trouve à l'avant du côté gauche de la pompe. Le boîtier de la soupape de pression/dépression porte les indications « Pressure » (pression) et « Vacuum » (dépression). Tourner le bouton pour aligner la flèche et la sortie désirée. Suivant la position du bouton, on produit une dépression ou une pression en pressant la poignée de la pompe. Le retour de la poignée n'a aucun effet sur la sortie.

DÉLESTAGE DE PRESSION/DÉPRESSION

On peut délester la dépression ou la pression en soulevant le levier de délestage. Cela permet à l'air de pénétrer dans le circuit et ainsi de délester la pression/dépression. La pression/dépression sera également délestée lorsqu'on débranche le tuyau du raccord avant.

CARACTÉRISTIQUES TECHNIQUES

Dépression maximum au niveau de la mer	25 po Hg (85 kPa)
Cylindrée:	16 cm ³ (1po ³)
Pression maximum	205 kPa (30 psi)
Précision du manomètre	3%-2%-3% de la plage complète

MODE D'EMPLOI DE LA POMPE

La pompe à vide est simple à utiliser. Dans la plupart des cas, elle est raccordée directement à un organe, utilisée à la place d'une conduite à dépression ou raccordée à un circuit de mise en dépression au moyen d'un té. La pompe peut être utilisée comme instrument d'essai de deux façons :

1) Quand on désire une pression ou dépression pour effectuer un contrôle, on tourne le sélecteur à la position correspondante et il suffit simplement de presser la poignée mobile de la pompe avec la main comme si on serrait le poing. Continuer à actionner la poignée jusqu'à ce que la pression ou dépression désirée soit indiquée.

2) La pompe peut être raccordée à un circuit de mise en pression ou dépression pour mesurer la pression ou dépression existante, comme dans toute utilisation du vide. Lorsqu'on utilise la pompe de cette façon, ne pas presser et relâcher la poignée à plusieurs reprises pour éviter des indications incorrectes.

LA POMPE

ENTRETIEN CORRECT

La pompe est un instrument de contrôle de précision très solide. La manipuler avec précaution! Ne pas la faire tomber ni la manipuler brutalement car cela pourrait affecter la précision du manomètre. Ne jamais dépasser la pression nominale du manomètre car celui-ci peut perdre sa précision et être endommagé définitivement. Si on prend soin de la pompe, on en tirera de nombreuses années de service sans problème.

LUBRIFICATION

La pompe est lubrifiée à l'usine avec de l'huile de silicone qui devrait être d'une très grande longévité. S'il s'avère nécessaire de la lubrifier, utiliser de l'huile de silicone. Si on ne peut s'en procurer, on peut utiliser du liquide de frein à base de silicone DOT 5 (pas DOT 3) ou de l'huile végétale. Ne pas utiliser de liquides à base de pétrole ni de lubrifiants en bombe (WD-40, huile moteur, etc.) car ils endommageront la pompe.

LE SYSTÈME À DÉPRESSION DES AUTOMOBILES

Ce manuel traite du vide, de la façon dont il est utilisé dans divers systèmes automobiles et de la façon dont la pompe à vide peut être utilisée pour contrôler et diagnostiquer ces systèmes. Cette section examine ce qu'est le vide, la façon dont il est mesuré, sa provenance dans une automobile, le système de distribution et d'utilisation du vide et quelques principes de base de dépannage.

QU'EST-CE QUE LE VIDE?

Pour simplifier, le vide est un espace vide et peut exister sous forme de vide total ou partiel. Le vide de lui-même ne crée pas de force. Pour les dispositifs à vide, la force dépend plutôt de la pression atmosphérique. L'atmosphère exerce une pression de 1 bar (14,7 psi) sur tout ce qui est au niveau de la mer. Si une portion de l'air est éliminée d'un côté d'une membrane (vide partiel), la pression atmosphérique exercera une force sur la membrane. La force est égale à la différence de pression multipliée par la surface de la membrane (FIGURE 1). Généralement, moins il y a d'air (plus grand est le vide) dans un espace donné, plus l'atmosphère essaie d'y pénétrer et plus la force créée est importante.

COMMENT MESURE-T-ON LE VIDE?

Aux États-Unis, le vide est couramment mesuré en pouces de mercure (po Hg). Il peut également être mesuré en centimètres de mercure (cm Hg) et en kiloPascals (kPa). La mesure de la pression atmosphérique utilise une colonne de mercure de 76 cm (30 po) de haut environ. Il s'agit de la pression barométrique mesurée en po Hg, qui varie au fur et à mesure que le temps change. Les indica-

tions de vide en po Hg sont en fait des indications de dépression. Par exemple, un vide de 30 po Hg serait un vide total. La moitié d'un vide total serait 15 po Hg. Un moteur à essence tournant au ralenti aspire un vide de 16-22 po Hg environ. Lors de la décélération, parce que le papillon est fermé, le vide augmentera. La pompe aspirera environ 25 po Hg, comme l'indiquera son manomètre à vide qui est gradué en po Hg et en kPa.

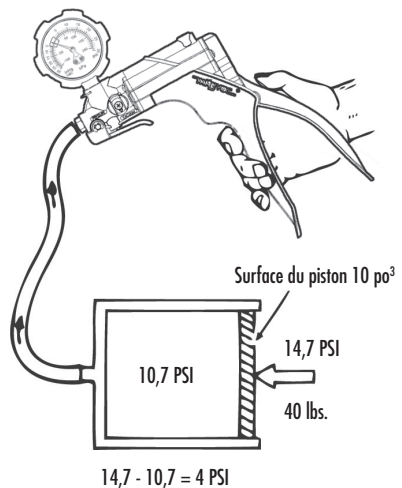


FIGURE 1: VIDE PAR OPPOSITION À PRESSION ATMOSPHÉRIQUE

LE SYSTÈME À DÉPRESSION DES AUTOMOBILES

POURQUOI LES MOTEURS CRÉENT-ILS UN VIDE?

Un vide est créé lorsque de l'air est aspiré hors d'un volume donné ou qu'un volume statique augmente. C'est la raison pour laquelle un vide est présent dans un moteur. Lors de la course d'admission, le piston s'abaisse et cela crée un vide partiel parce que le volume du cylindre augmente. L'air ne peut circuler assez vite dans le système d'admission pour remplir complètement l'espace créé par l'abaissement du piston (FIGURE 2). Il s'agit de la source la plus courante de vide dans une automobile.

VIDE DANS UN MOTEUR À ESSENCE COMPARÉ À UN MOTEUR DIESEL

Dans la mesure où un moteur diesel ne produit pas autant de vide qu'un moteur à essence, une pompe à vide doit être employée pour actionner les dispositifs à vide. La pompe est utile dans les instruments de contrôle des deux types de moteurs.

DISTRIBUTION DU VIDE

Toutes les automobiles modernes sont dotées d'un système de distribution de vide (FIGURE 3) composé de conduites, de tuyaux, de raccords et de dispositifs à vide. Ce système doit être étanche. Sinon, le mélange air/carburant du moteur sera appauvri par le supplément d'air pénétrant dans le système par suite des fuites, causant ainsi des problèmes tels que soupapes d'échappement brûlées, ralenti irrégulier, calage, allumage prématuré, bougies brûlées, etc. En outre, les dispositifs à dépression affectés par la fuite de vide ne fonctionneront pas correctement. Un moteur à essence normal devrait développer une dépression d'admission de 16-22 Hg au ralenti. Cela indique que l'aspiration du moteur est correcte. Si la dépression est inférieure, le rendement du moteur

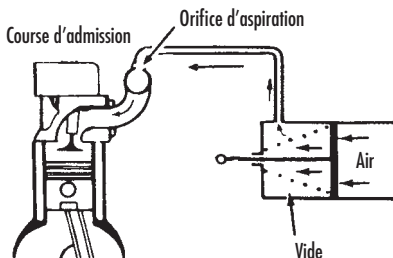


FIGURE 2: LE MOTEUR COMME SOURCE DE VIDE

est inférieur. Plus la dépression d'admission est basse, plus le rendement du moteur est médiocre et plus la consommation de carburant est élevée. Le système de distribution de vide fourni du vide aux (servo)moteurs d'aspiration de la climatisation, au servomoteur de freinage assisté, au régulateur de vitesse, au système antipollution, au capteur de pression absolue d'admission et aux systèmes de commande de boîte de vitesses automatique. Dans les véhicules plus anciens, du vide est également fourni au mécanisme d'avance ou de retard automatique à dépression du distributeur. Ces dispositifs peuvent être reliés directement à la zone de dépression du collecteur d'admission ou être commandés par l'intermédiaire d'électrovalves, d'interrupteurs thermostatiques ou d'autres commandes de dépression.

DÉPANNAGE DU SYSTÈME À DÉPRESSION

La plupart des problèmes de dépression peuvent être attribués à des fuites qui se produisent dans les tuyaux, raccords, membranes de moteurs ou soupapes. Des conduites écrasées ou soupapes encrassées ne laisseront pas non plus passer le vide. Les problèmes peuvent également être attribués à un mauvais fonctionnement mécanique des dispositifs entraînés par servomoteurs.

La pompe à vide peut être utilisée pour mesurer la dépression dans un tuyau. Le manomètre à vide est très utile pour détecter des fluctuations de dépression ou des fuites dans un tuyau. La pompe à vide permet de contrôler tous les types de dispositifs à dépression. Sur un servomoteur, par exemple, la pompe sert à faire le vide dans la chambre à membrane, ce qui permet de contrôler le fonctionnement mécanique du dispositif ainsi que la dépression nécessaire pour l'actionner. Vérifier la membrane pour voir si elle fuit en exerçant une dépression de 10 po Hg sur le dispositif (FIGURE 4). Observer le manomètre pour voir si son aiguille baisse une fois que l'actionneur s'immobilise. Si l'aiguille continue à baisser, cela indique que la membrane fuit. Si la membrane est en bon état, la dépression devrait se maintenir pendant une minute et l'aiguille rester immobile.

LE SYSTÈME À DÉPRESSION DES AUTOMOBILES

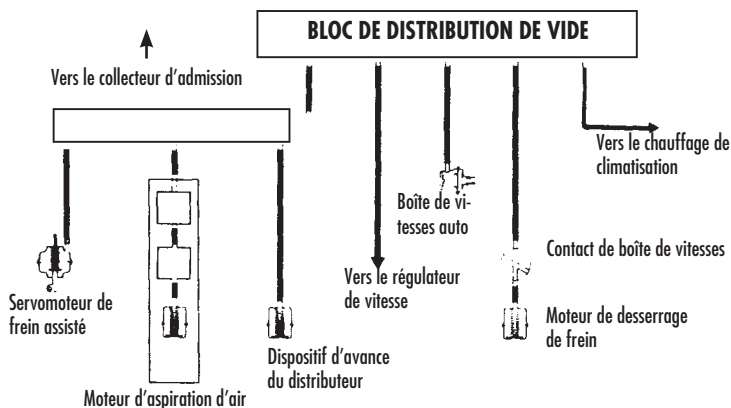


FIGURE 3: SYSTÈME TYPE DE DISTRIBUTION DE VIDE

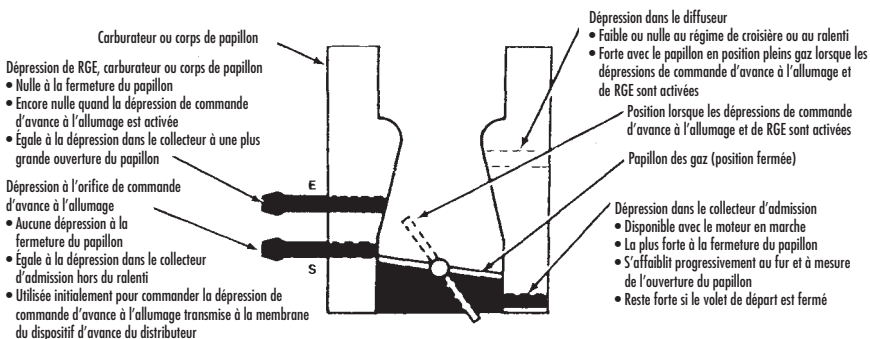


FIGURE 4: SOURCES DE VIDE TYPES D'UN CARBURATEUR

DIAGNOSTICS DES PROBLÈMES MÉCANIQUES D'UN MOTEUR LE SYSTÈME À DÉPRESSION DES AUTOMOBILES

CONTRÔLES ET DIAGNOSTICS À L'AIDE DU MANOMÈTRE À AIR

Les valeurs mesurées par le manomètre à vide de la pompe donnent des indications sur de possibles problèmes mécaniques mais elles ne sont pas infaillibles. Observer le manomètre attentivement et faire suivre ses relevés par d'autres contrôles, lorsque c'est possible, pour confirmer le diagnostic. Ne pas attendre du moteur qu'ils produise des dépressions (numériques) particulières. Beaucoup plus importants que des chiffres particuliers sont l'éventail des dépressions mesurées et le déplacement de l'aiguille (FIGURE 5). Les choses qu'il est important de noter au sujet du déplacement de l'aiguille sont la FAÇON

dont l'aiguille se déplace (sans à coups ou par saccades, irrégulièrement, etc.), la direction dans laquelle elle se déplace, la régularité ou la variation de son déplacement et l'ampleur de celui-ci. On trouvera ci-dessous quelques exemples de ce qu'il faut chercher et la signification de diverses indications du manomètre à vide.

MOTEUR NORMAL

Faire tourner le moteur au ralenti et raccorder la pompe à un orifice d'aspiration du collecteur d'admission. Observer le déplacement de l'aiguille du manomètre. Au ralenti, le manomètre devrait indiquer 16-22 po Hg et ne pas varier.

DIAGNOSTICS DES PROBLÈMES MÉCANIQUES D'UN MOTEUR LE SYSTÈME À DÉPRESSION DES AUTOMOBILES

SOUPAPE BRÛLÉE OU QUI FUIT

Au ralenti, les soupapes brûlées ou qui fuient font descendre l'aiguille à une valeur basse et la font revenir à la valeur normale à intervalle régulier. L'aiguille baissera de 1 à 7 po à intervalle régulier chaque fois que la soupape défectueuse essaie de se fermer.

SOUPAPE GOMMÉE

Une soupape gommée entraînera une baisse rapide intermittente par rapport à l'indication normale de l'aiguille. Ce déplacement est différent de la baisse régulière qui caractérise une soupape brûlée ou qui fuit. Une soupape gommée peut être localisée en appliquant de l'huile légère directement sur chaque guide de soupape. Quand on arrive à la soupape gommée, le problème sera temporairement résolu.

RESSORT DE SOUPAPE FAIBLE OU CASSÉ

Des ressorts de soupapes faibles sont indiqués par une fluctuation rapide du manomètre de la pompe à vide entre 10 et 21 po Hg au ralenti. Les fluctuations augmenteront en même temps que le régime. Un ressort de soupape cassé entraînera une fluctuation rapide de l'aiguille à intervalle régulier. Encore une fois, cela se produira chaque fois que la soupape essaie de se fermer.

GUIDES DE SOUPAPES USÉS

Les guides de soupape usés admettent de l'air qui déséquilibre le mélange air/carburant. L'indication du manomètre à vide sera inférieure à la normale et fluctuera rapidement dans une plage d'environ 3 po Hg. L'aiguille se stabilisera au fur et à mesure qu'on augmente le régime.

SEGMENT DE PISTON QUI FUIT

La dépression au ralenti sera basse mais stable à environ 12 à 16 po Hg. Ouvrir les gaz et laisser le moteur accélérer jusqu'à 2000 tr/mn environ puis fermer rapidement les gaz. L'aiguille devrait bondir de 2 à 5 po Hg au-dessus de son indication basse stabilisée. Une augmentation inférieure peut indiquer des segments défectueux et il convient d'effectuer un contrôle complet d'étanchéité de cylindre ou de compression.

JOINT DE CULASSE CASSÉ

Au ralenti, l'aiguille du manomètre de la pompe à vide fluctue entre la normale et une indication basse. L'aiguille baissera vivement de 10 po Hg environ par rapport à une indication normale et reviendra à celle-ci chaque fois que le ou les cylindres défectueux atteignent la position d'allumage.

CONTRÔLE D'OBSTRUCTION DE L'ÉCHAPPEMENT

Une obstruction de l'échappement entraînera des performances normales ou presque normales du moteur au ralenti mais très médiocres sous charge ou à haut régime.

1) Brancher le tuyau de la pompe à un raccord à vide du collecteur d'admission. Faire tourner le moteur au ralenti et noter la dépression indiquée ainsi que le déplacement de l'aiguille. Comparer les indications et déplacements à ceux qui sont décrits pour les soupapes brûlées et le retard à l'allumage ou de la distribution.

2) Observer le manomètre à vide quand on fait passer le régime moteur à 2500 tr/mn environ.

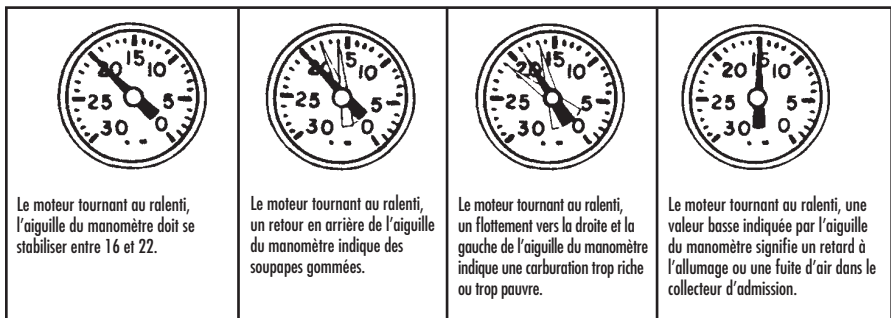


FIGURE 5: INDICATIONS DU MANOMÈTRE À VIDE

DIAGNOSTICS DES PROBLÈMES MÉCANIQUES D'UN MOTEUR LE SYSTÈME À DÉPRESSION DES AUTOMOBILES

3) Une augmentation de la dépression au-delà de celle obtenue au ralenti indique que le système d'échappement n'est pas obstrué.

4) Si l'aiguille baisse en se rapprochant de zéro quand on augmente le régime, une obstruction de l'échappement ou une soupape de recirculation des gaz d'échappement (RGE) trop active est la cause du problème.

5) Contrôler la soupape RGE séparément. Si elle se révèle en bon état, le problème est un échappement obstrué. Le vérifier et le remplacer si nécessaire.

MÉLANGE AIR/CARBURANT AU RALENTI INCORRECT

Si l'aiguille du manomètre fluctue lentement dans les deux sens au ralenti dans une plage de 4 à 5 po Hg,

le mélange de carburant est trop riche. Un mélange pauvre causera une baisse irrégulière de l'aiguille dans une plage comparable.

FUITES DANS LE COLLECTEUR D'ADMISSION OU DANS LE SYSTÈME D'ASPIRATION D'AIR

S'il y a des fuites dans le système d'aspiration d'air, l'aiguille du manomètre sera environ 3 à 9 po Hg en dessous de la normale mais restera stable.

RETARD À L'ALLUMAGE OU DE LA DISTRIBUTION

Une valeur extrêmement basse mais stable au ralenti indique un retard à l'allumage ou de la distribution, ou un réglage presque uniforme du jeu des soupapes. Effectuer des contrôles distincts pour déterminer lequel de ces problèmes a, le cas échéant, affecté le moteur.

SYSTÈME DE RECYCLAGE DES GAZ DE CARTER

FONCTIONNEMENT DU SYSTÈME

Le recyclage des gaz de carter (RGC) est utilisé sur tous les moteurs modernes pour réduire la pollution de l'air en permettant un balayage plus complet des vapeurs de carter. De l'air est aspiré au travers d'un élément du filtre à air, circule par un tuyau qui se trouve dans le couvercle de culasse, pénètre dans le carter, traverse et monte dans l'arrière du collecteur d'admission ou passe par le couvercle de culasse opposé et par la soupape RGC, circule dans un tuyau et pénètre dans le collecteur d'admission. La dépression du collecteur d'admission aspire toutes les vapeurs de carter qui doivent être brûlées dans le moteur.

Lorsque le débit d'air est élevé dans le carburateur ou le corps de papillon, le supplément d'air en provenance du système RGC n'a aucun effet sur le fonctionnement du moteur. Toutefois, au ralenti, le débit d'air dans le carburateur ou le corps de papillon est tellement faible que tout volume élevé ajouté par le système de recyclage déséquilibrerait le mélange air/carburant, causant un ralenti irrégulier. C'est la raison pour laquelle la soupape RGC limite le débit en provenance du système de recyclage lorsque la dépression du collecteur d'admission est élevée.

ENTRETIEN

Au bout d'une certaine période de fonctionnement, la soupape RGC peut s'encrasser et limiter le recyclage des gaz de carter. Il convient de la remplacer périodiquement pour empêcher la formation d'acides dans le carter et une montée excessive de pression dans ce dernier, ce qui pourrait expulser l'huile moteur au-delà des joints. Procéder comme suit pour contrôler le système RGC à l'aide de la pompe à vide.

1) Examiner le système pour voir si ses tuyaux sont vrillés, bouchés ou endommagés. Vérifier qu'ils sont tous raccordés correctement. Les réparer le cas échéant.

2) Raccorder la pompe à un orifice du collecteur d'admission et observer la dépression indiquée lorsque le moteur est chaud et tourne au ralenti.

3) Raccorder le tuyau à vide à la soupape RGC. Le régime devrait baisser de 100 tr/mn pour indiquer la perte due à la fuite d'air dans le collecteur d'admission. La valeur indiquée par le manomètre à vide devrait augmenter légèrement pour indiquer que la fuite de vide a été éliminée. Si cela ne se produit pas, remplacer la soupape RGC et/ou remplacer tout tuyau endommagé, bouché ou desserré.

SYSTÈME DE RECYCLAGE DES GAZ DE CARTER

4) Si le ralenti est trop lent ou irrégulier, cela peut être dû à une soupape RGC ou à un tuyau obstrué. Ne pas régler le ralenti avant d'avoir contrôlé le système RGC.

5) Après avoir posé une soupape RGC neuve, toujours régler le ralenti et, si possible, le mélange d'air de ralenti. La pose d'une soupape incorrecte

peut causer la circulation de trop de vapeur dans le système si l'évent calibré est trop grand. Cela rendra le mélange air/carburant trop pauvre. Si l'ouverture est trop petite, l'effet d'obturation sera annulé, les émissions augmenteront, des acides se formeront et des fuites d'huile peuvent se produire. Veiller à se procurer la soupape RGC adaptée à la voiture.

RÉGULATEUR DE PRESSION DE CARBURANT

FONCTIONNEMENT DU SYSTÈME

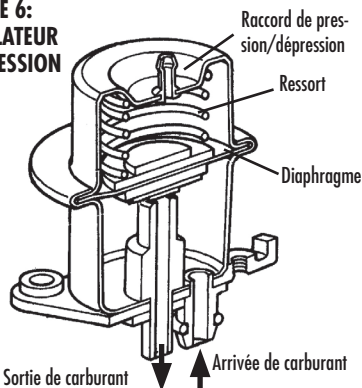
Les régulateurs de pression de carburant sont utilisés pour maintenir la pression du carburant à un niveau constant, correspondant aux besoins du moteur. Les constructeurs automobiles utilisent différentes méthodes pour contrôler la pression de carburant. La plupart utilise un régulateur de pression mécanique de style à ressort et diaphragme, similaire à celui montré à la figure 6. En général, les régulateurs mécaniques utilisent le vide ou la pression du moteur pour faire varier la pression du carburant en réponse aux besoins immédiats du moteur. Une pompe à vide ou à vide et à pression, avec un manomètre approprié, est nécessaire pour faire un diagnostic correct de ces types de régulateurs.

Les régulateurs de pression de carburant à contrôle par vide ou pression sont généralement montés immédiatement après la rampe de carburant et en ligne avec le débit de carburant. Quand la pompe de carburant ne fonctionne pas, le ressort cause la fermeture du diaphragme pour empêcher le passage du carburant. Quand la pompe à carburant est activée, la pression ainsi produite commence à surmonter la force du ressort et le diaphragme s'ouvre, permettant le passage du carburant. Le ressort et le diaphragme maintiennent un débit de carburant à pression constante. Ceci crée une contre-pression dans le système de carburant qui est habituellement appelée la « pression de carburant ». Le rôle du régulateur de pression est de maintenir la « pression de carburant » à un niveau spécifié par le constructeur du véhicule.

Un régulateur de pression modulée de carburant

à vide et pression est branché à la tubulure d'admission au moyen d'un petit tuyau. Le vide de la tubulure aide le ressort à ouvrir le diaphragme. Quand une charge est placée sur l'ensemble motopropulseur, le vide du moteur augmente. Cette augmentation du vide cause l'augmentation de la résistance au débit de carburant par le diaphragme. La résistance additionnelle augmente la pression de carburant aux injecteurs pour compenser de la demande de carburant plus élevée du moteur. Sur les systèmes d'induction à air forcé (turbocompresseurs et compresseurs de suralimentation), la pression plus élevée créée dans la tubulure fonctionne à l'inverse du vide produit dans les systèmes à aspiration naturelle. Dans les conditions de suralimentation, la pression dans la tubulure fait que le régulateur augmente la pression de carburant, causant un mélange plus riche en carburant.

FIGURE 6:
RÉGULATEUR
DE PRESSION



RÉGULATEUR DE PRESSION DE CARBURANT

RÉPARATION

Inspection visuelle

1) Consulter le manuel d'entretien du véhicule pour déterminer si le régulateur de pression est modulé par le vide ou la pression et pour identifier son emplacement.

2) Inspecter l'extérieur du régulateur de pression pour déterminer s'il y a des fuites de carburant, et si le tuyau de vide a des dommages ou des fissures visibles. Remplacer selon le besoin.

3) Débrancher le tuyau de vide du régulateur de pression de carburant.

4) Vérifier s'il y a du carburant liquide dans le tuyau. S'il y en a, remplacer le régulateur. S'il n'y en a pas, rebrancher le tuyau de vide.

Diagnostics

5) Brancher un manomètre de pression de carburant.

6) Mettre le moteur en marche et le laisser au ralenti.

7) Débrancher le tuyau de vide du régulateur de pression de carburant.

8) La pression de carburant doit augmenter de 0,5 à 0,8 bar (8 à 12 psi) quand le tuyau est débranché. L'absence de changement indique une défaillance du régulateur ou une fuite ou un colmatage de la conduite de vide.

9) Brancher la pompe à vide sur le tuyau de vide venant de la tubulure.

10) Le manomètre de la pompe doit indiquer entre 406 et 560 mm (16 et 22 po) de Hg. Consulter le manuel d'entretien du véhicule pour obtenir une valeur plus précise. Aucune indication ou une indication basse indique une fuite ou un colmatage de la conduite de vide ou un problème plus sérieux du moteur.

11) Débrancher la pompe à vide de la conduite de vide et boucher temporairement la conduite. Brancher la pompe à l'orifice de vide sur le régulateur.

12) Utiliser la pompe pour appliquer du vide au régulateur tout en observant le manomètre de pression de carburant.

13) La pression de carburant doit augmenter de 0,07 bar pour chaque tranche de 51 mm (1 psi pour chaque 2 pouces) de Hg de vide appliquée au régulateur. Si ce n'est pas le cas, remplacer le régulateur de pression de carburant.

Turbocompresseurs et compresseurs de suralimentation

14) Pour les systèmes à induction à 'air forcé (turbocompresseurs et compresseurs de suralimentation), commuter la pompe de vide à pression, sans la débrancher du régulateur.

15) Utiliser la pompe pour appliquer de la pression au régulateur, tout en observant le manomètre de pression de carburant.

16) La pression de carburant doit augmenter de 0,07 bar pour chaque tranche de 25 mm (1 psi pour chaque 1 pouce) de Hg de vide appliquée au régulateur. Si ce n'est pas le cas, remplacer le régulateur de pression de carburant.

SOUPAPE DE DÉCHARGE DE TURBOCOMPRESSEUR

EXPLOITATION DU SYSTÈME

La soupape de décharge de turbocompresseur (vanne de dérivation d'échappement) limite la valeur de la suralimentation (pression de tubulure d'admission) créée par le turbo. Quand la pression de la tubulure d'admission devient trop élevée, la soupape de décharge s'ouvre pour permettre à une portion de l'échappement de contourner le turbocompresseur. Ceci réduit la suralimentation par le turbocompresseur.

La majorité des actionneurs de soupape de décharge de turbocompresseur fonctionne en utilisant un dispositif à ressort mécanique et diaphragme. Dans les conditions d'utilisation normales, le ressort maintient la soupape de décharge fermée et tous les gaz d'échappement sont dirigés dans le turbocompresseur. Un petit tube connecte l'actionneur de la soupape de décharge à la tubulure d'admission ou à la sortie d'air du turbocompresseur. Quand la pression de suralimentation devient trop élevée, elle pousse contre le diaphragme, surmontant la résistance du ressort, causant l'ouverture de la soupape de décharge.

Pour faire un essai du fonctionnement de la soupape de décharge et de son actionneur, brancher la pompe à main Mityvac sur la soupape de décharge et appliquer de la pression.

RÉPARATION

Suivre la procédure qui suit pour faire le diagnostic d'une soupape de décharge et de son actionneur d'un turbocompresseur ou d'un compresseur de suralimentation.

Essai de déplacement visuel à froid

1) Identifier l'actionneur de la soupape de décharge et vérifier qu'elle n'est pas endommagée. Vérifier que le tuyau de pression n'a pas de fuite ni de fissures visibles. Remplacer selon le besoin.

2) Débrancher le tuyau de pression de l'actionneur de la soupape de décharge et brancher la pompe à main Mityvac à sa place.

3) Utiliser la pompe pour appliquer la pression, conformément aux données techniques du constructeur.

4) Observer le déplacement de la tige de commande et ensuite son maintien en position.

5) Si la tige ne se déplace pas ou ne maintient pas sa position, ou si le manomètre sur la pompe à main indique une fuite, remplacer ou réparer l'actionneur de la soupape de décharge.

6) S'il n'y a aucune fuite, débrancher la tige de l'actionneur et déplacer le levier du clapet de la soupape de décharge pour déterminer s'il est gommé ou coincé.

7) S'il ne se déplace pas librement, il faut réparer ou remplacer la soupape de décharge.

Essai au ralenti

8) Commencer avec le système d'échappement froid.

9) Débrancher le tuyau de pression de l'actionneur de la soupape de décharge et brancher la pompe à main Mityvac à sa place.

10) Mettre le moteur en marche et le laisser au ralenti.

11) Après un instant, l'admission d'échappement de la soupape de décharge doit chauffer, mais la conduite de dérivation sortant de la soupape de décharge doit rester froide.

12) Si la conduite de dérivation chauffe à ce point, des gaz d'échappement fuient autour du clapet et il faut réparer ou remplacer la soupape de décharge.

13) Utiliser la pompe pour appliquer de la pression pour ouvrir la soupape de décharge, conformément aux données techniques du constructeur.

Raccord de
pression

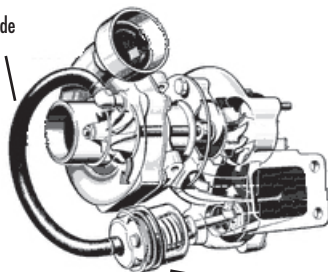


FIGURE 7:
TURBOCOMPRESSEUR

Commande de
soupape de décharge

SOUPAPE DE DÉCHARGE DE TURBOCOMPRESSEUR

- 14) Toucher la conduite de dérivation. Elle doit commencer à chauffer alors que la soupape de décharge s'ouvre.
- 15) Si ce n'est pas le cas, la soupape de décharge est coincée fermée et il faut la réparer ou la remplacer.
- 16) Après avoir terminé les essais, faire tomber la pression de la pompe et observer la fermeture de la soupape de décharge.

Essai au banc

Il faut utiliser une pompe à main Mityvac pour les essais au banc d'une soupape de décharge d'un turbocompresseur et régler la tige de commande après remplacement ou réparation. Suivre la procédure du constructeur pour faire ces essais et réglages de précision.

RECIRCULATION DES GAZ D'ÉCHAPPEMENT (RGE)

Un système de recirculation des gaz d'échappement (RGE) est utilisé sur la plupart des moteurs modernes pour réduire les émissions d'oxyde d'azote (NOx). Pendant le processus de combustion, l'azote, qui représente jusqu'à 80 % de l'air, se mélange à l'oxygène aux températures supérieures à 1371 °C (2500 °F). Pendant ce processus, les températures dans les cylindres dépassent largement 1927 °C (3500 °F), ce qui offre des conditions idéales pour la formation de NOx.

FONCTIONNEMENT DU SYSTÈME

Pour réduire la formation de NOx, il est nécessaire d'abaisser la température de combustion. Cela s'effectue le plus souvent en réintroduisant les gaz d'échappement dans la chambre de combustion au moyen d'une soupape RGE. La soupape RGE (FIGURE 8) peut être actionnée par la dépression

ouverte au-dessus des papillons des gaz ou par un système de commande perfectionné qui module le volume de RGE en fonction de la température du liquide de refroidissement, de celle de l'air ambiant, du régime ou de la charge du moteur. Une soupape RGE qui ne dispose pas d'un système de commande perfectionné doit être fermée à l'aide d'une dépression inférieure à 2 po Hg et elle commence à s'ouvrir lorsque la dépression est de 2 à 8,5 po Hg. Au ralenti et à pleins gaz, la dépression ouverte est basse et la soupape devrait être fermée. Certaines voitures sont équipées d'une soupape à transducteur de contrepression pour moduler le fonctionnement du système RGE. Certaines voitures sont équipées d'un amplificateur de dépression dans le diffuseur pour accomplir la même tâche. Il a pour effet de moduler la volume de RGE en fonction de la

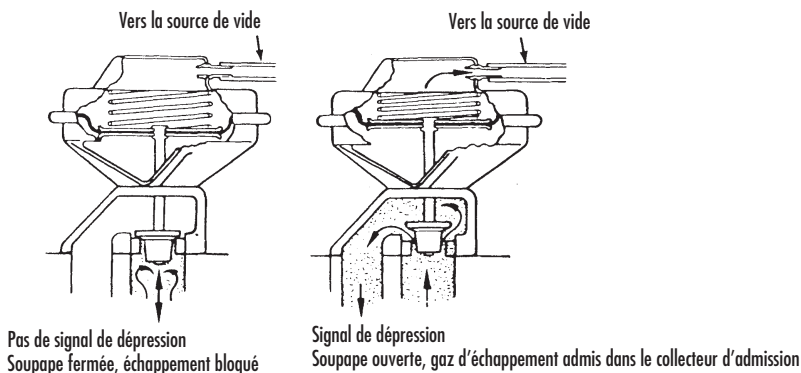


FIGURE 8: FONCTIONNEMENT D'UNE SOUPAPE RGE

RECIRCULATION DES GAZ D'ÉCHAPPEMENT (RGE)

charge du moteur. Pour améliorer la qualité de conduite à froid, la plupart des voitures sont équipées d'un type quelconque de dispositif de commande de dépression destiné à arrêter la RGE lorsque le moteur est froid. Les systèmes RGE tombent en panne de deux façons. Une défaillance de la soupape peut se produire par suite d'un défaut affectant celle-ci, tel qu'une rupture de membrane, ou d'une perte de dépression de commande. Toujours vérifier si une dépression existe dans le tuyau raccordé à la soupape RGE avant de remplacer celle-ci. Raccorder la pompe au tuyau de dépression de la soupape RGE et vérifier si une dépression d'au moins 4 à 5 po Hg est disponible à 2000 tr/mn. Ne pas oublier non plus que des conduits d'échappement reliés à la soupape qui sont obstrués peuvent limiter la circulation même si la soupape s'ouvre. Si la soupape RGE reste ouverte, le moteur tournera irrégulièrement au ralenti, calera au ralenti, perdra de la puissance et tournera moins bien à pleins gaz. Une défaillance de la soupape se produit généralement si le siège de celle-ci est encrassé ou endommagé. Une soupape RGE peut fonctionner normalement lorsque le moteur est chaud mais rester ouverte lorsqu'il est froid. Cette situation peut être due à un contacteur thermosensible défectueux qui n'interrompt pas la dépression lorsque le moteur est froid.

ENTRETIEN DU SYSTÈME RGE / CONTRÔLE GÉNÉRAL SAUF POUR GM OU LE TYPE À COMMANDE PAR CONTREPRESSION

Si les symptômes présentés par un moteur conduisent à croire qu'une soupape RGE reste ouverte, procéder comme suit :

1) Raccorder un tachymètre au moteur et faire tourner celui-ci au ralenti jusqu'à ce qu'il atteigne la température normale de fonctionnement. Utiliser la pompe

pour vérifier si la dépression est d'au moins 10 po Hg à la soupape. Remettre le tuyau en place et noter le régime.

2) Débrancher le tuyau à vide de la soupape et faire attention au régime pour voir s'il augmente.

3) Si le régime augmente, il se peut qu'un certain type de problème se pose dans le circuit de mise en dépression. Vérifier l'acheminement de tous les tuyaux à vide.

4) Si le régime ou la qualité du ralenti change, déposer la soupape puis vérifier le téton et le siège de soupape pour s'assurer qu'ils sont tous les deux propres. S'ils ne le sont pas, remplacer la soupape, le joint et l'adaptateur s'il est brûlé, déformé ou endommagé. Si les symptômes présentés par le moteur conduisent à croire que la soupape RGE reste fermée, procéder comme suit :

1) Faire tourner le moteur au ralenti jusqu'à ce qu'il atteigne la température maximum de fonctionnement. Utiliser la pompe pour vérifier si la dépression est de 10 po Hg à la soupape. Régler le régime à 2000 tr/mn environ. Obtenir le tuyau de dépression. Raccorder la pompe à vide à la soupape RGE et créer un vide de 10 à 15 po Hg.

2) La membrane devrait passer en position d'ouverture et on devrait observer une baisse de régime. Sinon, la soupape est défectueuse ou les conduits du collecteur sont bouchés. Dissiper la dépression exercée sur la soupape RGE.

3) La membrane devrait passer en position de fermeture et on devrait observer une augmentation du régime. Faire revenir le moteur au ralenti et couper le contact.

Raccorder la pompe à la soupape RGE et l'essayer en exerçant une dépression d'au moins 9 po Hg sur la membrane et observer le manomètre attentivement

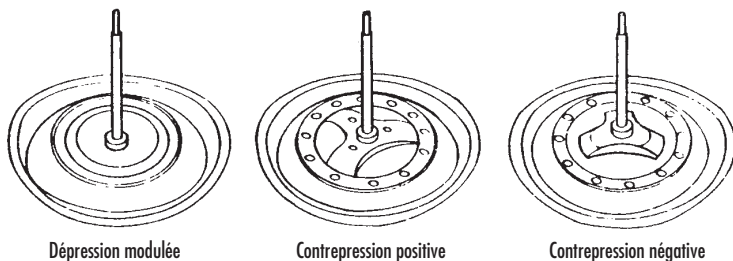


FIGURE 9: MEMBRANES RGE GM

RECIRCULATION DES GAZ D'ÉCHAPPEMENT (RGE)

pour voir s'il indique une perte quelconque de dépression.

5) Si la membrane de la soupape reste immobile ou ne peut maintenir la dépression, remplacer la soupape EGR.

SOUPAPES RGE GM

General Motors produit trois types de soupapes RGE. Chaque soupape peut être identifiée par la conception de son déflecteur (FIGURE 9). La première est une soupape RGE à dépression modulée qui ne comporte qu'une nervure circulaire au dos de son déflecteur. La deuxième est une soupape à contrepression positive dont les nervures cruciformes ne dépassent que légèrement au-dessus du déflecteur. Il existe enfin une soupape à contrepression négative dont les nervures cruciformes dépassent nettement au-dessus du déflecteur. Les soupapes à dépression modulée et à contrepression négative sont contrôlées de la même façon. Celle à contrepression positive donne lieu à un contrôle distinct.

CONTRÔLE DES SOUPAPES RGE À DÉPRESSION MODULÉE ET À CONTREPRESSION NÉGATIVE

1) S'assurer que tous les tuyaux à vide sont acheminés conformément à l'autocollant du système antipollution.

2) Vérifier le raccord à vide à la soupape RGE pour voir s'il est obstrué.

3) Relier la pompe à la soupape RGE et au carburateur ou à la source de vide. Faire démarrer le moteur et le faire tourner au ralenti jusqu'à ce qu'il atteigne la température de fonctionnement (90 °C [195 °F] environ). Vérifier la dépression à 3000 tr/mn ; elle doit être d'au moins 5 po Hg.

4) Si aucune dépression n'est disponible à l'étape 3, vérifier pour voir s'il y en a une entre la thermostable de dépression RGE et le carburateur. S'il y en a une, remplacer la thermostable.

5) Si la dépression entre la soupape RGE et le carburateur est suffisante, raccorder la pompe à l'entrée de la soupape RGE. Appuyer sur la membrane de la soupape et soumettre la soupape RGE à une dépression de 10 po Hg environ. Relâcher la membrane et noter le temps qu'il lui faut pour revenir en place.

6) S'il faut moins de 20 secondes à la soupape pour se fermer, la remplacer.

CONTRÔLE DE LA SOUPAPE RGE GM À CONTREPRESSION POSITIVE

1) Effectuer les opérations 1 à 4 du contrôle des soupapes RGE à dépression modulée et à contrepression négative.

2) Déposer la soupape RGE du moteur. Raccorder la pompe à l'entrée de dépression de la soupape RGE et créer un vide de 10 po Hg. La soupape ne devrait pas s'ouvrir. Si elle le fait, la remplacer.

3) Poursuivre le contrôle en continuant à créer le vide et en injectant un courant d'air basse pression dans l'entrée de dépression de la soupape. La soupape devrait alors s'ouvrir. Si elle ne le fait pas, la remplacer.

AMPLIFICATEUR DE DÉPRESSION DANS LE DIFFUSEUR RGE

Certains moteurs utilisent un amplificateur de dépression dans le diffuseur qui utilise le faible signal de dépression du diffuseur pour permettre le passage de la dépression plus forte du collecteur d'admission pour actionner la soupape RGE. Dans la plupart des applications, l'amplificateur renforce de 2 po Hg le signal du diffuseur (FIGURE 10).

ENTRETIEN

Faire démarrer le moteur et le faire tourner au ralenti jusqu'à ce qu'il atteigne la température normale de fonctionnement.

2) S'assurer que le tuyau reliant le collecteur d'admission à l'amplificateur est raccordé correctement. Sur les systèmes à réservoir, débrancher le tuyau de ce dernier et utiliser un té pour raccorder le tuyau au tuyau à vide du collecteur d'admission.

3) Grâce à des tuyaux de longueurs différentes et à différents raccords, contourner toutes les soupapes de dépression ou régulatrices de liquide de refroidissement entre l'amplificateur et la soupape RGE.

4) Utiliser un té pour raccorder la pompe à la conduite à dépression reliant l'amplificateur à la soupape RGE.

5) Faire passer le régime à 1500-2000 tr/mn et relâcher l'accélérateur. Laisser le moteur revenir au ralenti et débrancher le tuyau à vide du diffuseur du carburateur. La dépression mesurée ne devrait pas varier de plus de 0,3 po Hg par rapport à l'amplification spécifiée pour cet amplificateur si celle-ci est autre que zéro. Une valeur de 0 à 0,5 po Hg peut indiquer une amplification nulle. Remplacer

RECIRCULATION DES GAZ D'ÉCHAPPEMENT (RGE)

l'amplificateur s'il est hors spécifications.

6) Augmenter le régime. Tout en observant le manomètre à vide, relâcher l'accélérateur une fois qu'un régime de 1500 à 2000 tr/mn est atteint. Si le manomètre à vide indique une augmentation supérieure à 1 po Hg pendant l'accélération, remplacer l'amplificateur.

7) Débrancher la pompe de la conduite à dépression de sortie et raccorder les tuyaux tout en continuant à contourner les autres soupapes. Raccorder la pompe et créer un vide de 2 à 4 Hg à l'orifice de l'amplificateur qui reçoit normalement la dépression du collecteur d'admission. La soupape RGE devrait fonctionner et le régime baisser ou devenir irrégulier. Si la soupape RGE reste immobile, remplacer l'amplificateur.

FONCTIONNEMENT DE LA SOUPAPE À TRANSDUCTEUR DE CONTREPRESSION

La soupape à transducteur de contrepression ajuste le volume de RGE à la charge du moteur. Un détecteur de pression d'échappement se prolonge dans le tuyau de liaison d'échappement pour échantillonner cette pression. Lorsque la charge du moteur est faible, la pression dans le tuyau d'échappement est relativement basse alors qu'elle est la plus élevée à pleins gaz. Ce signal de pression est transmis à une membrane dans la soupape à transducteur de contrepression et sert à régler la dépression exercée sur la soupape RGE (FIGURE 11).

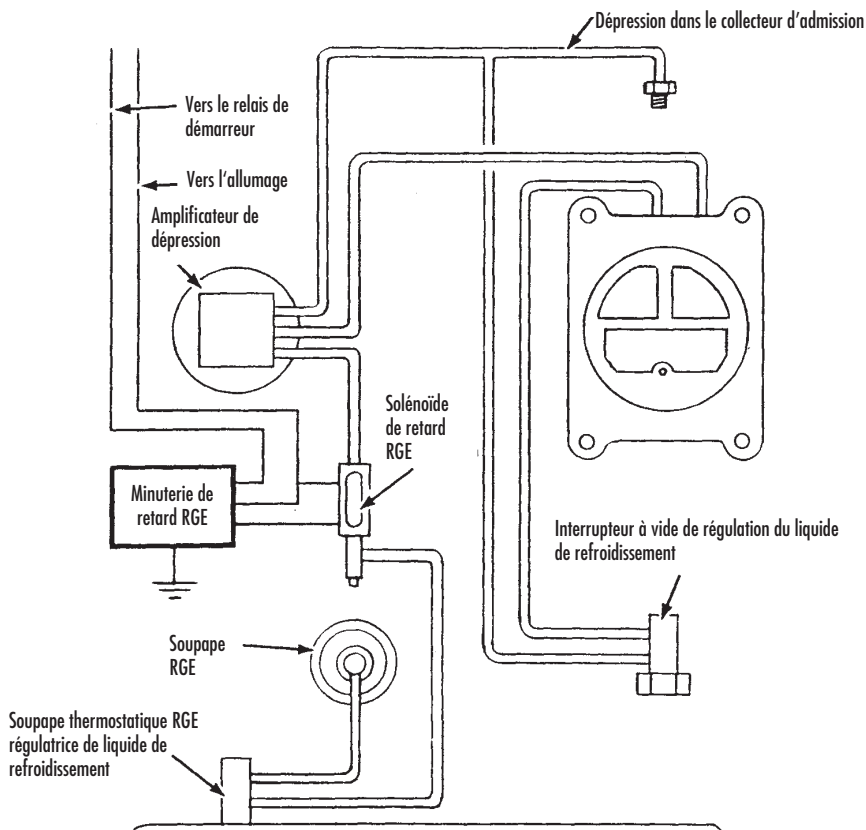


FIGURE 10: SYSTÈME RGE À DÉPRESSION DANS LE DIFFUSEUR CHRYSLER

RECIRCULATION DES GAZ D'ÉCHAPPEMENT (RGE)

ENTRETIEN

1) Déposer le filtre à air et obturer le raccord du collecteur d'admission. Faire démarrer le moteur et le faire chauffer à la température normale de fonctionnement. Positionner le taquet de ralenti accéléré sur la deuxième saillie de la came de ralenti accéléré (pour obtenir 1500 tr/mn environ), puis noter le régime indiqué par un tachymètre. Utiliser la pompe pour contrôler la dépression de la source à un orifice du collecteur d'admission (FIGURE 12). Noter cette valeur.

2) Raccorder la pompe au tuyau relié à la soupape à transducteur de contrepression au moyen d'un té ; la dépression relevée devrait être de 1 à 2 po Hg. Remplacer cette soupape si elle est hors spécifications.

3) Laisser le manomètre à vide à cet emplacement, débrancher le tuyau relié à la soupape RGE et obturer le tuyau. Relever l'indication du manomètre de la pompe à vide ; elle doit être la même que celle relevée pour la dépression dans le collecteur d'admission. Si elle diffère de plus de 2 po Hg de la dépression de la source, remplacer la soupape à transducteur de contrepression.

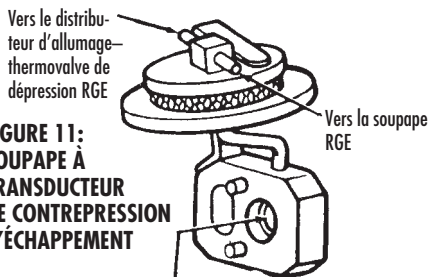


FIGURE 11:
SOUPAPE À
TRANSDUCTEUR
DE CONTREPRESSION
D'ÉCHAPPEMENT

Exposé à la pression des gaz d'échappement

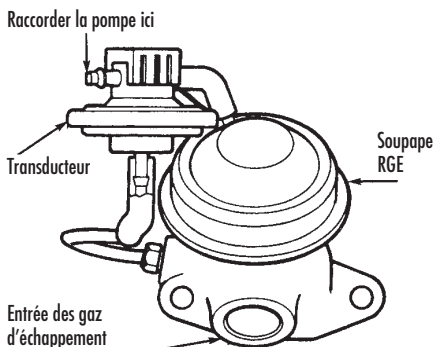


FIGURE 12: CONTRÔLE DE LA SOURCE DE VIDE POUR LA VALVE DE RETARD À L'ALLUMAGE À L'AIDE DE LA POMPE

VALVES DE RETARD À L'ALLUMAGE

FONCTIONNEMENT

Des valves de retard à l'allumage sont utilisées pour retarder la dépression exercée sur l'actionneur d'avance à dépression du distributeur lors d'une accélération brutale afin de retarder l'action du système de réaction à l'aspiration d'air Thermactor lorsque le moteur tourne au ralenti de façon prolongée et de retarder la dépression exercée sur le diaphragme de dispositif anticallage du volet d'air automatique lors de la conduite par temps froid. Une valve frittée est incorporée à la membrane (extérieure) d'avance à dépression du module de commande de distributeur sur certains moteurs. Cette valve a pour objet de retarder l'allumage lors d'une rapide accélération afin de minimiser la formation de NOx. Le métal fritté est poreux et permet à la dépression de traverser la valve agissant comme un orifice calibré de 0,05 mm (0,002 po) de diamètre.

Le contrôle s'obtient en faisant varier le nombre de disques dans chaque valve de façon à adapter les caractéristiques de retard au moteur (FIGURE 13).

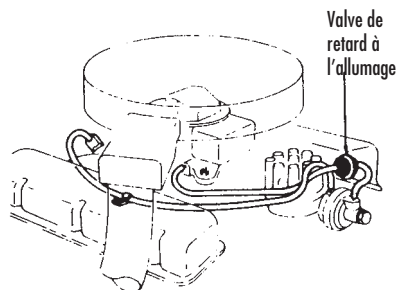


FIGURE 13:
VALVE DE RETARD À L'ALLUMAGE TYPE

VALVES DE RETARD À L'ALLUMAGE

ENTRETIEN

Le retard de la valve varie suivant le moteur. Les différentes valves se reconnaissent à leur couleur et à leur numéro de pièce. Les valves de retard à l'allumage ne peuvent être réparées et doivent être remplacées tous les 20 000 km (12 000 miles) parce que les pores du métal fritté se remplissent de poussière, ce qui peut ralentir l'action de la valve.

REMARQUE : la valve de retard à l'allumage est un organe unidirectionnel dont le côté noir doit faire face à l'orifice d'aspiration du carburateur. Procéder comme suit pour déterminer si une valve de retard à l'allumage fonctionne correctement.

1) La boîte de vitesses étant au point mort, régler le carburateur à la position de ralenti accéléré, retirer la valve de retard à l'allumage et raccorder la pompe à vide au tuyau relié à l'orifice d'allumage du carburateur au moyen d'un té.

2) Noter la dépression mesurée, qui devrait être comprise entre 10 et 16 po Hg.

3) Pincer le tuyau à vide et observer le manomètre pour voir si la dépression reste la même. Si le manomètre indique que la dépression baisse lorsqu'on pince le tuyau, le manomètre ou le tuyau à vide a une fuite externe qui doit être éliminée.

4) Raccorder maintenant le côté noir de la valve de retard à l'allumage au tuyau à vide relié à l'orifice d'allumage du carburateur. Raccorder une section de tuyau à vide à la pompe à vide et l'autre extrémité au côté distributeur de la valve de retard à l'allumage. Observer le temps en secondes qu'il faut au manomètre pour atteindre 6 po Hg avec une source de vide de 10 à 16 po Hg. Si la dépression atteint 6 po Hg en moins de 2 secondes, remplacer la valve de retard à l'allumage quel qu'en soit le type. Lors du contrôle de la valve, faire attention d'empêcher de l'huile ou de la crasse d'y pénétrer car cela gênera son fonctionnement.

ÉLECTROVALVE DE DÉPRESSION DE COMMANDE DE RALENTI

ENTRETIEN

1) Débrancher le raccord à vide et le connecteur électrique du solénoïde. Raccorder la pompe à l'orifice « B » et essayer de faire le vide. La dépression devrait se dissiper par l'orifice « A » (FIGURE 14).

2) Au moyen de fils de liaison, raccorder la borne négative du solénoïde à la masse et envoyer du courant 12 volts à la borne positive. Faire le vide à l'orifice « B ». La dépression devrait se maintenir. Si le solénoïde ne maintient pas sa dépression, le remplacer.

3) Le solénoïde restant sous tension, faire passer la pompe à l'orifice « A ». Essayer de faire le vide. La dépression devrait se dissiper par le filtre à air et aucune ne devrait être présente à l'orifice « B ».

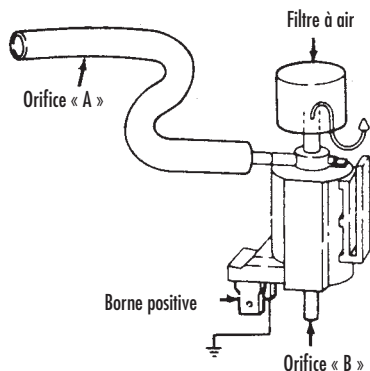


FIGURE 14: ÉLECTROVALVE DE DÉPRESSION DE COMMANDE DE RALENTI

THERMOVALVES DE DÉPRESSION

Entretien

Ces valves sont appelées valves de commutation de dépression à orifices sur les moteurs Ford, thermovalves d'allumage sur les moteurs Chrysler et thermovalves de dépression de distributeur sur les moteurs General Motors. La valve à deux orifices est utilisée pour interrompre la RGE lorsque le moteur est froid. Ce type de contacteur thermosensible est nécessaire pour une bonne qualité de conduite en limitant la RGE jusqu'à ce que le moteur soit chaud. La valve à trois orifices est couramment appelée valve de commutation de dépression de système de refroidissement parce qu'elle fait passer la source de vide du distributeur d'une dépression modulée à la dépression totale d'admission. La valve à quatre orifices a été utilisée sur certains moteurs Ford pour contourner la valve de retard à l'allumage et arrêter le système RGE lorsque le moteur est froid.

Entretien

Procéder comme suit pour contrôler la valve à deux orifices.

1) Créer un vide de 10 po Hg à l'orifice inférieur de la valve à l'aide de la pompe à vide et mesurer les résultats avec un deuxième manomètre à vide comme indiqué sur l'illustration correspondante (FIGURE 15).

2) Les valves sont codées couleur ; la verte devrait s'ouvrir et laisser passer la dépression à 20 °C (68 °F) et la noire à 38,8 °C (100 °F)

3) Si la dépression maximum passe par la valve quand elle est chaude, la valve fonctionne normalement. Si la dépression ne circule pas ou si elle le fait quand le liquide de refroidissement est froid, remplacer la valve.

Procéder comme suit pour contrôler la valve de commutation de dépression à trois orifices.

1) À l'aide de la pompe à vide, créer un vide de 10 po Hg à l'orifice central de la valve en raccordant un manomètre à vide à chacun des deux autres orifices.

2) Se référer aux mêmes valves codées couleur et aux mêmes spécifications de températures que pour la valve à deux orifices ci-dessus. Si la commutation de la dépression s'effectue à la température spécifiée, la valve fonctionne normalement. Si aucune dépression n'est présente à l'orifice inférieur au-dessus de la température spécifiée, remplacer la valve.

La valve à quatre orifices doit être contrôlée deux fois, une fois aux deux orifices supérieurs et une fois aux deux orifices inférieurs comme indiqué sur l'illustration correspondante (FIGURE 16).

1) Créer un vide de 10 po Hg à l'un des deux orifices supérieurs à l'aide de la pompe à vide. La valve devrait maintenir la dépression lorsqu'elle est au-dessus de la température de fonctionnement spécifiée.

2) Si la dépression circule quand la valve est chaude, remplacer celle-ci.

3) Pour les deux orifices inférieurs, la dépression ne doit passer par la valve que quand le moteur est chaud ; sinon, remplacer la valve.

Code couleur	Liquide de refroidissement au-dessus de
Vert	68°F
Noir	100°F
Brut ou bleu	133°F

RÉSULTATS :	
Pas de dépression	Remplacer la valve
Dépression	La valve est ouverte
Dépression quand le liquide de refroidissement est froid	Remplacer la valve

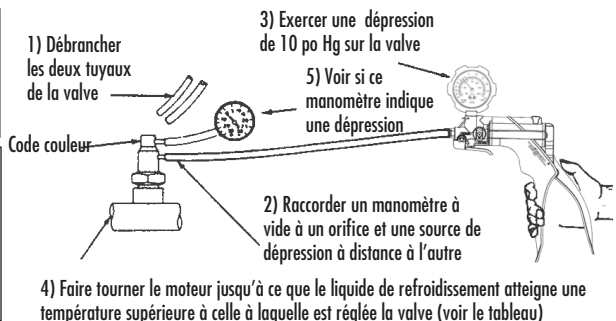
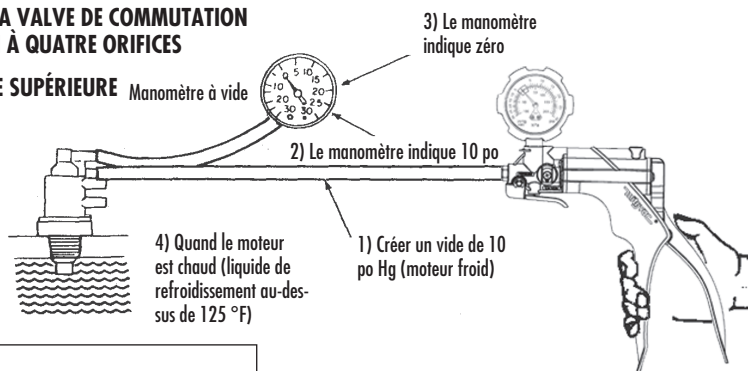


FIGURE 15: CONTRÔLE DE LA VALVE DECOMMUTATION DE DÉPRESSION À DEUX ORIFICES

THERMOVALVES DE DÉPRESSION

CONTRÔLE DE LA VALVE DE COMMUTATION DE DÉPRESSION À QUATRE ORIFICES

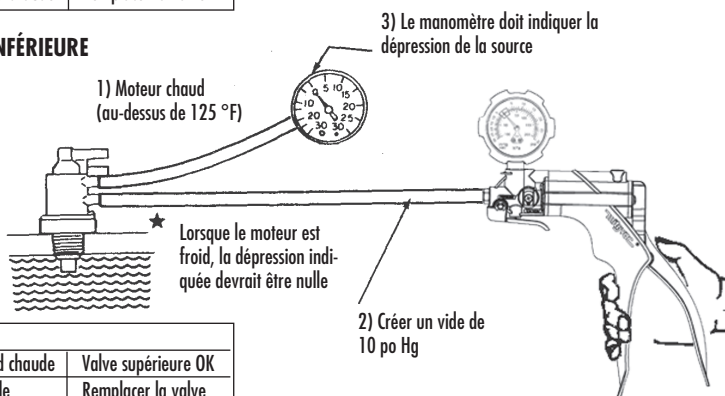
DÉBIT DE VALVE SUPÉRIEURE Manomètre à vide



RÉSULTATS :

Dépression quand chaude	Valve inférieure OK
Pas de dépression quand chaude	Remplacer la valve

DÉBIT DE VALVE INFÉRIEURE



RÉSULTATS :

Pas de dépression quand chaude	Valve supérieure OK
Dépression quand chaude	Remplacer la valve

FIGURE 16: CONTRÔLE DE LA VALVE DE COMMUTATION DE DÉPRESSION À QUATRE ORIFICES

NÉCESSAIRE DE REMPLISSAGE DE FLUIDE AUTOMATIQUE

Le nécessaire inclut des éléments conçus pour maintenir automatiquement un niveau de fluide neuf constant dans le maître-cylindre ou le réservoir de l'embrayage hydraulique pendant la purge sous vide. Ces éléments comprennent deux adaptateurs de bouchon qui se montent sur la majorité des bouteilles de fluide d'une pinte ou d'un quart (450 et 900 ml) (goulot latéral de 1-1/4 po) et trois plaques de remplissage de maître-cylindre ou réservoir.

Exploitation du système

- 1) Évacuer autant de l'ancien liquide que possible du réservoir du maître-cylindre ou du réservoir de l'embrayage.
- 2) Remplacer le couvercle d'une bouteille d'une pinte ou d'un quart de fluide de frein neuf par l'adaptateur de bouchon approprié.
- 3) Sélectionner la plaque de remplissage appropriée et la mettre en place sur le dessus du maître-cylindre ou du réservoir de l'embrayage.
- 4) Retourner la bouteille de fluide, avec l'adaptateur d'alimentation attaché, et insérer l'adaptateur d'alimentation dans le trou de la plaque du maître-cylindre. Enfoncer la bouteille jusqu'à ce que l'adaptateur d'alimentation se mette bien en place dans la plaque de remplissage.
- 5) Purger le système de frein ou d'embrayage hydraulique.

NOTE – Il faut prendre soin d'éviter les déversements lors de l'insertion et de l'enlèvement de la bouteille de fluide de frein.

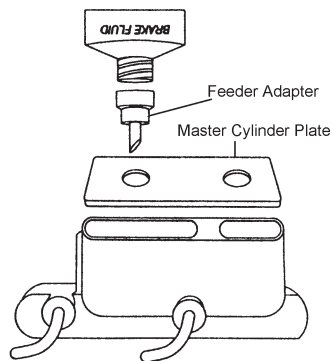


FIGURE 17: NÉCESSAIRE DE REMPLISSAGE DE FLUIDE AUTOMATIQUE

PURGE DES FREINS

De nombreux systèmes de freinage comportent aujourd'hui des fonctions antiblocage et des commandes électroniques. Un grand nombre de ces systèmes utilisent une pompe électrique à haute pression pour rester pressurisés. La purge et l'entretien de ces systèmes exigent des méthodes et des précautions particulières.

- **TOUJOURS** prendre les précautions suivantes lors de l'entretien d'un système de freinage antiblocage :
- **TOUJOURS** porter des lunettes étanches lors de l'entretien des systèmes de freinage haute pression.
- **TOUJOURS** dépressuriser le système de freinage antiblocage avant de faire l'appoint de liquide et de procéder à l'entretien ou à une réparation.
- Sauf indication contraire du constructeur, **NE JAMAIS** ouvrir une valve de purge ni desserrer un raccord de conduite hydraulique quand le système de freinage antiblocage est pressurisé.
- Utiliser **UNIQUEMENT** les liquides de frein recommandés. **NE PAS** utiliser de liquide de frein au silicone dans les véhicules équipés d'un système de freinage antiblocage.
- Toujours consulter un manuel de réparation approprié pour plus de détails sur les systèmes de freinage antiblocage.

DÉPRESSURISATION DES SYSTÈMES DE FREINAGE ANTI-BLOCAGE

Toujours consulter le manuel d'utilisation du véhicule ou un manuel de réparation approprié pour plus de détails sur la méthode de dépressurisation. Cette méthode sera applicable à la plupart des systèmes de freinage antiblocage. Veiller à placer la clé de contact à la position OFF ou débrancher le câble négatif de batterie. Appuyer 25 à 40 fois sur la pédale de frein. Un changement évident se fait sentir. Appuyer sur la pédale quelques fois de plus. Cela devrait dissiper la plus grande partie de la pression du système. Ouvrir le réservoir de liquide ou débrancher les conduites de freins avec précaution. Faire l'appoint de liquide dans le réservoir et raccorder le câble de batterie une fois l'opération terminée.

PURGE DES SYSTÈMES DE FREINAGE ANTI-BLOCAGE

Toujours consulter le manuel d'utilisation du véhicule ou un manuel de réparation approprié pour la méthode de purge des freins préconisée par le constructeur. Les freins avant de la plupart des systèmes

de freinage antiblocage peuvent être purgés de la manière traditionnelle. La plupart des pompes / accumulateurs de pression hydrauliques sont pourvus d'un robinet de purge qui doit être ouvert quand le système a perdu du liquide ou quand celui-ci doit être remplacé. Certains véhicules exigent que le système soit pressurisé lors de la purge des freins arrière. Certains constructeurs automobiles utilisent des méthodes de purge qui exigent un matériel spécialisé.

PURGE DES CONDUITES DE FREINS

La plupart des problèmes de position basse et de mollesse de la pédale sont causés par la présence d'air dans les conduites hydrauliques, ce qui exige la purge du circuit hydraulique. Il est possible de purger facilement le circuit en utilisant la pompe et ses accessoires de purge des freins. Procéder une roue à la fois en commençant par celle qui est la plus proche du maître-cylindre. Le kit permet d'employer une méthode simple, propre et rapide de purge des conduites de liquides d'un système de freinage automobile. Lorsqu'un vide est créé dans le récipient, le liquide est attiré dans celui-ci. Il convient de noter qu'un minuscule courant de bulles peut être observé dans le tuyau une fois que les conduites sont purgées de tout l'air qu'elles contiennent. Il est causé par l'air qui fuit autour du filetage du raccord de purge desserré et qui est réaspiré via le raccord par la succion de la pompe. Une fois que l'air est éliminé du système, ces minuscules bulles ne compromettent pas la purge dans la mesure où elles ne sont présentes qu'au niveau du raccord et ne pénètrent pas dans le système. On peut si on le désire placer de la graisse ou du ruban Téflon autour du filetage du raccord pour éliminer la plus grande partie des bulles. La méthode correcte de purge est la suivante :

1) Toujours veiller à ce que le réservoir du maître-cylindre soit rempli et à disposer de liquide de frein frais propre du type correct pour faire l'appoint dans le réservoir au fur et à mesure que le niveau de liquide baisse pendant la purge. S'assurer que tous les raccords de purge sont propres avant de commencer la purge.

2) Purger le circuit hydraulique dans l'ordre suivant :

A) Raccords de purge du maître-cylindre, le cas échéant. En cas de montage d'un maître-cylindre neuf ou remis à neuf, procéder à une purge sur établi comme indiqué plus loin.

PURGE DES FREINS

- B) Raccords de purge de la valve mixte, le cas échéant.
- C) Cylindres de roues et étriers les uns après les autres, en commençant par la roue la plus proche du maître-cylindre et en terminant par la plus éloignée. **REMARQUE :** respecter l'ordre de purge recommandé par le constructeur (si on le connaît). La méthode décrite ici précise de commencer la purge à la roue la plus proche du maître-cylindre. Quelque soit l'ordre appliqué, toujours veiller à ce que le système soit purgé de tout l'air qui s'y trouve.
- 3) Glisser 3,8 cm (1-1/2po) de tuyau entre la pompe et le couvercle du récipient à l'orifice marqué « **VERS LA POMPE** » (FIGURE 18).
- 4) Brancher un tuyau de plastique de 8,9 cm (3-1/2 po) au bas du couvercle.
- 5) Raccorder un morceau de tuyau d'au moins 30 cm (12 po) à l'autre orifice du récipient. S'assurer que le couvercle du récipient est bien serré mais pas trop.
- 6) Choisir le(s) adaptateur(s) approprié(s). Les adaptateurs universels en L doivent bien s'ajuster sur le raccord de purge pour garantir une étanchéité correcte. Les adaptateurs coniques s'ajustent à l'intérieur du trou débouchant du raccord et assurent généralement une bonne étanchéité lorsqu'ils sont enfoncés avec un mouvement de noussée et de rotation. Raccorde
- 7) Placer une clé sur le raccord de purge de frein. Raccorder un adaptateur et la pompe puis actionner celle-ci 10 à 15 fois. **REMARQUE :** si les bulles sortant du raccord sont très petites et de la même grosseur, il est probable que l'air vient de l'intérieur du système. Il n'est pas nécessaire d'éliminer ces bulles dans la mesure où elles n'affectent pas le fonctionnement des freins. Si on le désire, on peut généralement les éliminer en plaçant de la graisse ou du ruban Téflon autour du filetage pour servir de joint d'étanchéité.
- 8) Ouvrir légèrement le raccord, juste assez pour laisser le liquide pénétrer dans le récipient, en le tournant généralement de 1/4 à 1/2 tour.
- 9) Après avoir laissé s'écouler 5 cm (2 po) environ de liquide dans le récipient, fermer le raccord et remplir le maître-cylindre. Répéter toutes les opérations précédentes sur toutes les autres roues. Si du liquide n'est pas attiré dans le récipient une fois le raccord ouvert, s'assurer que le couvercle du récipient est bien serré. Il sera impossible de créer le vide nécessaire dans le récipient si son couvercle n'est pas bien en place. Un peu de crasse pénétrera de temps en temps dans la conduite de frein ; il se peut alors que la pompe ne soit pas totalement efficace. Si c'est le cas, demander à quelqu'un d'appuyer légèrement une fois sur la pédale de frein, la valve de purge étant ouverte, puis utiliser la pompe.

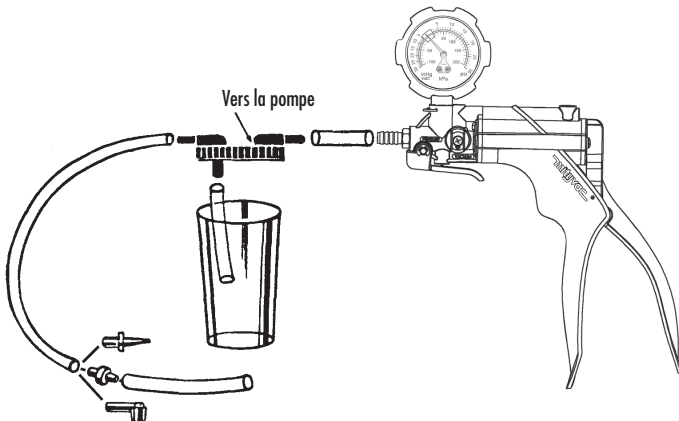


FIGURE 18: KIT DE PURGE DE FREIN

PURGE DES FREINS

PURGE DES FREINS D'UNE MOTOCYCLETTE

Avant de purger le système, s'assurer que :

- 1) Les pistons d'étriers de freins se déplacent librement à l'intérieur des étriers.
- 2) Le piston du maître-cylindre est libre de revenir au bout de sa course et
- 3) Examiner la conduite pour s'assurer que tous les raccords sont serrés.

FREIN AVANT

- 1) Actionner le levier de frein pour positionner les plaquettes de l'étrier contre le disque.
- 2) Recouvrir le réservoir d'essence de plastique pour le protéger si on utilise du liquide DOT 3 (ce n'est pas nécessaire en cas d'utilisation de liquide DOT 5).
- 3) Enlever le bouchon du réservoir du maître-cylindre et remplir le réservoir.
- 4) Choisir le(s) adaptateur(s) approprié(s). Les adaptateurs universels en L doivent bien s'ajuster sur le raccord de purge pour garantir une étanchéité correcte. Les adaptateurs coniques s'ajustent à l'intérieur du trou débouchant du raccord et assurent généralement une bonne étanchéité lorsqu'ils sont enfoncés avec un mouvement de poussée et de rotation. Raccorder un adaptateur au tuyau du récipient.
- 5) Actionner la pompe plusieurs fois pour créer un vide. Entrouvrir la valve de purge à l'aide d'une clé polygonale pour extraire du liquide et le faire pénétrer dans le récipient. (Arrêter et faire l'appoint de liquide quand le niveau commence à être bas dans le maître-cylindre. Ne pas laisser d'air pénétrer dans la conduite.) Tout l'air devrait alors être sorti du système et la conduite être remplie de liquide. (Remarque : si de l'air pénètre dans le tuyau de la pompe depuis le pourtour du raccord de purge, retirer ce dernier et appliquer du ruban Téflon sur la partie filetée de la vis de purge seulement. Cela empêchera l'air de fuir autour du filetage de cette vis.)
- 6) Tout en maintenant une dépression dans la conduite de la pompe, serrer le raccord de purge.
- 7) Faire l'appoint dans le réservoir et remettre le couvercle. Contrôler le frein en actionnant plusieurs fois le levier. La pédale doit être ferme. Sinon, répéter la purge car d'autre air a pu pénétrer dans le système. Examiner la conduite pour s'assurer que tous ses

raccords sont serrés. Si le frein continue à être mou, consulter un technicien d'entretien. En cas de freins avant à disque jumelés, répéter la purge comme s'il s'agissait de deux circuits distincts.

FREIN ARRIÈRE

Purger la conduite de frein arrière de tout l'air qui s'y trouve comme pour l'avant. Le réservoir du frein arrière se trouve généralement en dessous de l'un des caches latéraux.

- 1) Enlever le bouchon du maître-cylindre et le remplir presqu'à complètement.
- 2) Brancher le tuyau de la pompe au raccord de purge et actionner plusieurs fois la poignée pour créer une dépression.
- 3) Entrouvrir le purgeur à l'aide d'une clé polygonale. À cause de la faible longueur de la conduite, la plus grande partie de l'air devrait alors s'être échappée.
- 4) Si on ferme la valve et répète l'opération, tout l'air devrait être éliminé du circuit. Arrêter et faire l'appoint de liquide quand le niveau devient bas dans le maître-cylindre.
- 5) Faire l'appoint dans le réservoir et le reboucher.

DÉPANNAGE

- 1) Si, à l'issue de la purge, le frein continue à ne pas réagir, il se peut que de l'eau soit présente dans le circuit, auquel cas celui-ci devra être démonté et nettoyé par un technicien d'entretien qualifié.
- 2) Si le frein grince légèrement à l'issue de la purge, le disque et les plaquettes doivent être nettoyés.
- 3) Bien que le liquide DOT 3 soit recommandé par la plupart des constructeurs, il a tendance à absorber l'humidité, ce qui cause la décoloration que l'on observe couramment, et cela signifie une baisse de l'efficacité. Le DOT 5 est à base de silicone et n'a pas la même tendance à absorber l'humidité. Il offre également une tolérance plus élevée. Le DOT 5 n'est toutefois pas toujours facile à trouver et les deux types de liquide ne peuvent être mélangés.
- 4) Des tuyaux en caoutchouc sont standard sur la plupart des motocyclettes mais ils ont tendance à se dilater, ce qui peut entraîner une mollesse du freinage lorsqu'on atteint un kilométrage important. Une conduite métallique flexible ne se dilatera pas comme cela.

PURGE DES FREINS

PURGE SUR ÉTABLI DU MAÎTRE-CYLINDRE

Chaque fois qu'un maître-cylindre a été déposé d'un véhicule ou qu'un neuf est monté, il doit être purgé sur établi. L'absence d'une purge sur établi est la principale raison de l'échec du remplacement d'un maître-cylindre. La purge sur établi réduit grandement le risque d'un emprisonnement d'air dans le cylindre lors de sa remise en place. Procéder comme suit :

1) Obturer les orifices de sortie du maître-cylindre et le serrer doucement dans un étau en surélevant légèrement le côté tige de poussée. **REMARQUE :** le maître-cylindre risque d'être endommagé s'il est serré par l'alésage ou si les réservoirs sont très serrés.

Remplir le maître-cylindre de liquide de frein d'un type agréé et le maintenir rempli en permanence pendant les opérations.

3) Enlever un bouchon du maître-cylindre et raccorder l'adaptateur correct à cet orifice de sortie du maître-cylindre. Raccorder le tube de pompe au récipient et celui de ce dernier à l'adaptateur (FIGURE 19).

4) Actionner la pompe et observer l'air et le liquide circulant dans le récipient jusqu'à ce que du liquide clair sans bulle apparaisse.

6) Boucher l'orifice de sortie en serrant bien et répéter l'étape 4 à tous les autres orifices de sortie.

6) Serrer le maître-cylindre dans un étau en abaissant légèrement le côté tige de poussée. Faire lentement glisser la tige de poussée du maître-cylindre de 3 mm (1/8 po) dans les deux sens jusqu'à ce qu'on ne puisse plus voir de bulles d'air dans les réservoirs.

7) Remonter le maître-cylindre avec le côté tige de poussée relevé et exécuter les étapes 3 et 4 à tous les orifices de sortie. Boucher les orifices en serrant bien. Le maître-cylindre est alors libre d'air et prêt à être mis en place.

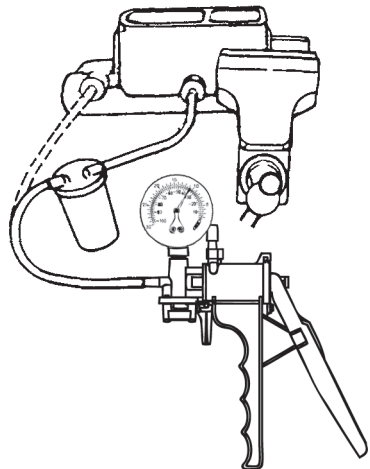


FIGURE 19: PURGE SUR ÉTABLI

LINCOLN INDUSTRIAL STANDARD WARRANTY

GARANTÍA ESTÁNDAR DE LINCOLN INDUSTRIAL / GARANTIE STANDARD LINCOLN INDUSTRIAL

LIMITED WARRANTY

Lincoln warrants the equipment manufactured and supplied by Lincoln to be free from defects in material and workmanship for a period of one (1) year following the date of purchase, excluding therefrom any special, extended, or limited warranty published by Lincoln. If equipment is determined to be defective during this warranty period, it will be repaired or replaced, within Lincoln's sole discretion, without charge.

This warranty is conditioned upon the determination of a Lincoln authorized representative that the equipment is defective. To obtain repair or replacement, you must ship the equipment, transportation charges prepaid, with proof of purchase to a Lincoln Authorized Warranty and Service Center within the warranty period.

This warranty is extended to the original retail purchaser only. This warranty does not apply to equipment damaged from accident, overload, abuse, misuse, negligence, faulty installation or abusive or corrosive material, equipment that has been altered, or equipment repaired by anyone not authorized by Lincoln. This warranty applies only to equipment installed, operated and maintained in strict accordance with the written specifications and recommendations provided by Lincoln or its authorized field personnel.

THIS WARRANTY IS EXCLUSIVE AND IS IN LIEU OF ANY OTHER WARRANTIES, EXPRESSED OR IMPLIED, INCLUDING, BUT NOT LIMITED TO, THE WARRANTY OF MERCHANTABILITY OR WARRANTY OF FITNESS FOR A PARTICULAR PURPOSE.

In no event shall Lincoln be liable for incidental or consequential damages. Lincoln's liability for any claim for loss or damages arising out of the sale, resale or use of any Lincoln equipment shall in no event exceed the purchase price. Some jurisdictions do not allow the exclusion or limitation of incidental or consequential damages, therefore the above limitation or exclusion may not apply to you.

This warranty gives you specific legal rights. You may also have other rights that vary by jurisdiction.

Customers not located in the Western Hemisphere or East Asia: Please contact Lincoln GmbH & Co. KG, Waildorf, Germany, for your warranty rights.

Lincoln Industrial Contact Information: To Find Lincoln Industrial's Nearest Service Center call the following numbers, or you may also use our website.

Customer Service: 314-679-4200

Website: lincolnindustrial.com

GARANTÍA LIMITADA

Lincoln garantiza que los equipos fabricados y suministrados por Lincoln carecen de defectos de material y mano de obra durante un periodo de un (1) año a partir de la fecha de compra, excluyendo a partir de la misma cualquier garantía especial, ampliada o limitada publicada por Lincoln. Si se determina que un equipo tiene algún defecto durante este periodo de garantía, será reparado o reemplazado, a discreción única de Lincoln, sin cargo alguno.

Esta garantía está condicionada a la determinación de un representante autorizado de Lincoln de que el equipo es defectuoso. Para su reparación o sustitución, usted tiene que enviar el equipo, con los gastos de transporte pagados por anticipado y con una prueba de la compra, a un Centro de Servicio y Garantía Autorizado de Lincoln dentro del periodo de garantía.

Esta garantía se extiende solo al comprador al por menor original. Esta garantía no se aplica a los equipos dañados a causa de un accidente, sobrecarga, abuso, uso indebido, negligencia, instalación defectuosa o materiales abrasivos o corrosivos, equipos que hayan sido alterados, o equipos reparados por cualquier persona que no haya sido autorizada por Lincoln. Esta garantía solo se aplica a los equipos instalados, operados y mantenidos en estricta conformidad con las especificaciones y recomendaciones por escrito proporcionadas por Lincoln o su personal de campo autorizado.

ESTA GARANTÍA ES EXCLUSIVA Y ES EN LUGAR DE A CUALQUIER OTRA GARANTÍA, EXPRESA O IMPLÍCITA, INCLUIDAS, AUNQUE SIN LIMITARSE A LAS MISMAS, LA GARANTÍA DE COMERCIABILIDAD O GARANTÍA DE IDONEIDAD PARA UN FIN PARTICULAR.

En ningún caso deberá ser responsable Lincoln de los daños fortuitos o emergentes. La responsabilidad de Lincoln por cualquier reclamación de pérdidas o daños que surjan de la venta, reventa o utilización de cualquier equipo de Lincoln no deberá exceder en ningún caso el precio de compra. Algunas jurisdicciones no admiten las exclusiones o limitaciones de los daños fortuitos o emergentes y, por lo tanto, puede que la anterior limitación o exclusión no se aplique a su caso.

Esta garantía le proporciona derechos legales específicos. Usted puede tener también otros derechos que varían de una jurisdicción a otra.

Los clientes no ubicados en el Hemisferio Occidental o el Este de Asia: pónganse en contacto con Lincoln GmbH & Co. KG, Waildorf, Alemania, para conocer sus derechos de garantía.

Información de contacto de Lincoln Industrial: Para buscar el Centro de Servicio Lincoln Industrial más cercano, llame a los siguientes números, o también puede visitar nuestro sitio web.

Atención al Cliente 314-679-4200

Sitio Web: lincolnindustrial.com

GARANTIE LIMITÉE

Lincoln garantit l'appareillage fabriqué et fourni par Lincoln contre les défauts de matières et de fabrication pendant une période d'un (1) an à compter de la date d'achat, excluant toute autre garantie spéciale, prolongée ou limitée rendue publique par Lincoln. S'il est déterminé, dans les limites de cette période de garantie, que l'appareillage est défectueux, il sera réparé ou remplacé gratuitement, à la seule discrétion de Lincoln. Cette garantie est tributaire de la détermination par un représentant habilité de Lincoln que l'appareillage est défectueux. Pour être réparé ou remplacé, l'appareillage doit être retourné en port payé accompagné d'une preuve d'achat à un centre de garantie et de réparation Lincoln agréé dans les limites de la période de garantie.

Cette garantie n'est offerte qu'à l'acheteur initial au détail. Cette garantie ne s'applique pas à un appareillage endommagé à la suite d'un accident, d'une surcharge, d'un usage abusif ou incorrect, de la négligence, d'un raccordement incorrect, d'un contact avec un matériau abrasif ou corrosif, d'une modification ou d'une réparation effectuée par quiconque n'est pas agréé par Lincoln. Cette garantie ne s'applique qu'à l'appareillage raccordé, utilisé et entretenu en stricte conformité avec les spécifications et recommandations communiquées par écrit par Lincoln ou son personnel technico-commercial habilité.

CETTE GARANTIE EXCLUT ET SE SUBSTITUE À TOUTE AUTRE GARANTIE EXPLICITE OU TACTE, Y COMPRIS, ENTRE AUTRES, CELLES DE QUALITÉ MARCHANDE ET D'ADAPTATION À UN USAGE PARTICULIER.

Lincoln ne sera en aucun cas responsable de dommages accessoires ou indirects. La responsabilité de Lincoln en cas de demande d'indemnisation pour pertes ou dommages liés à la vente, opération ou utilisation de tout appareillage Lincoln n'ira en aucun cas au-delà du prix d'achat. Certaines collectivités territoriales n'autorisent pas l'exclusion ni la limitation des dommages accessoires ou indirects. Il se peut donc que la limitation ou exclusion mentionnée ci-dessus ne s'applique pas. Cette garantie confère des droits précis. Il peut toutefois en exister d'autres qui varient d'une collectivité territoriale à l'autre. Les clients résidant hors de l'hémisphère occidental ou de l'Asie orientale sont priés de se renseigner auprès de Lincoln GmbH & Co. Waildorf, Allemagne, sur les droits dont ils jouissent au titre de la garantie.

Coordonnées de Lincoln Industrial : Pour localiser le centre de réparation de Lincoln Industrial le plus proche, appelez l'un des numéros ci-dessous ou utilisez notre site Web.

Service clientèle: 314-679-4200

Site Web : lincolnindustrial.com

Américas:

One Lincoln Way, St. Louis, MO 63120-1578 USA
Phone +1.314.679.4200
Fax +1.800.424.5359

Europe/Africa:

Heinrich-Hertz-Str 2-8, D-69183 Waildorf, Germany
Phone +49.6227.33.0
Fax +49.6227.33.259

Asia/Pacific:

25 Int'l Business Park, #01-65 German Centre
Singapore 609916
Phone +65.562.7960
Fax +65.562.9967

Américas:

One Lincoln Way, St. Louis, MO 63120-1578 EE. UU.
Telefono +1.314.679.4200
Fax +1.800.424.5359

Europa/África:

Heinrich-Hertz-Str 2-8, D-69183 Waildorf, Alemania
Telefono +49.6227.33.0
Fax +49.6227.33.259

Asia/Pacífico:

25 Int'l Business Park, #01-65 German Centre
Singapore 609916
Teléfono +65.562.7960
Fax +65.562.9967

Amériques:

One Lincoln Way, St. Louis, MO 63120-1578 USA
Téléphone +1.314.679.4200
Télécopie +1.800.424.5359

Europe/Afrique:

Heinrich-Hertz-Str 2-8, D-69183 Waildorf, Germany
Téléphone +49.6227.33.0
Télécopie +49.6227.33.259

Asie/Pacifique:

25 Int'l Business Park, #01-65 German Centre
Singapore 609916
Téléphone +65.562.7960
Télécopie +65.562.9967