

Homelite® OPERATOR'S MANUAL

MANUEL D'UTILISATION

MANUAL DEL OPERADOR

UT43100/ 14 in. Electric Chain Saw

Scie à chaîne électrique de 35 cm (14 po)

Motosierra eléctrica de 35 cm (14 pulg.)

UT43120/ 16 in. Electric Chain Saw

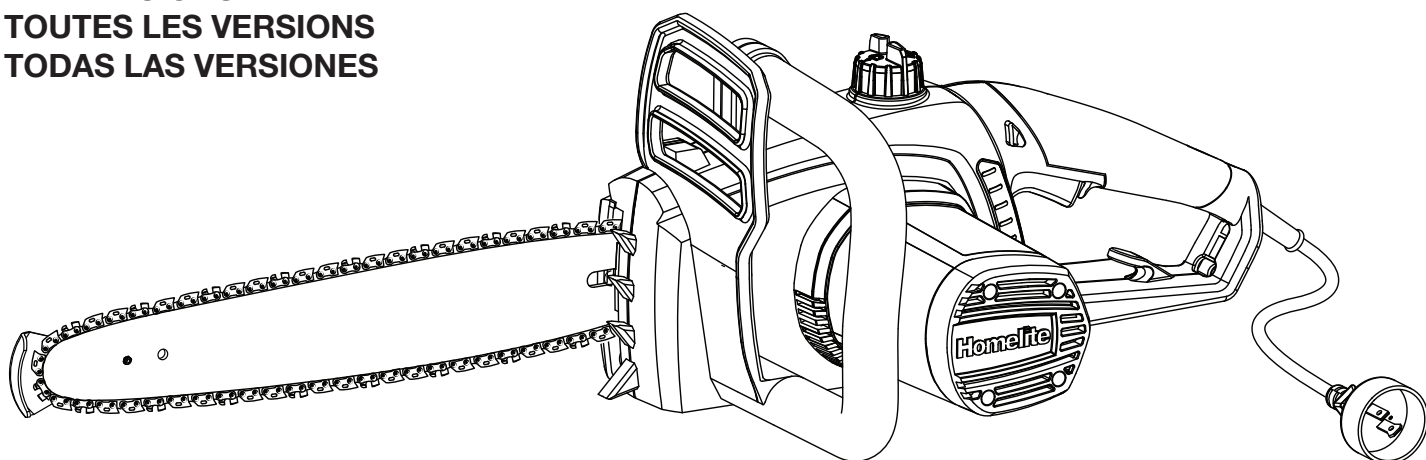
Scie à chaîne électrique de 40 cm (16 po)

Motosierra eléctrica de 40 cm (16 pulg.)

ALL VERSIONS

TOUTES LES VERSIONS

TODAS LAS VERSIONES



Your electric chain saw has been engineered and manufactured to Homelite's high standard for dependability, ease of operation, and operator safety. When properly cared for, it will give you years of rugged, trouble-free performance.

⚠ WARNING: To reduce the risk of injury, the user must read and understand the operator's manual before using this product.

Thank you for buying a Homelite product.

SAVE THIS MANUAL FOR FUTURE REFERENCE

Cette scie à chaîne électrique a été conçue et fabriquée conformément aux strictes normes de fiabilité, simplicité d'emploi et sécurité d'utilisation de Homelite. Correctement entretenue, elle vous donnera des années de fonctionnement robuste et sans problème.

⚠ AVERTISSEMENT : Pour réduire les risques de blessures, l'utilisateur doit lire et veiller à bien comprendre le manuel d'utilisation avant d'employer ce produit.

Merci d'avoir acheté un produit Homelite.

**CONSERVER CE MANUEL POUR
FUTURE RÉFÉRENCE**

Su motosierra eléctrica ha sido diseñada y fabricada de conformidad con las estrictas normas de Homelite para brindar fiabilidad, facilidad de uso y seguridad para el operador. Con el debido cuidado, le brindará muchos años de sólido y eficiente funcionamiento.

⚠ ADVERTENCIA: Para reducir el riesgo de lesiones, el usuario debe leer y comprender el manual del operador antes de usar este producto.

Le agradecemos la compra de un producto Homelite.

**GUARDE ESTE MANUAL PARA
FUTURAS CONSULTAS**

TABLE OF CONTENTS

TABLE DES MATIÈRES / ÍNDICE DE CONTENIDO

■ Introduction	2
Introduction / Introducción	
■ General Safety Rules.....	3-6
Règles de sécurité générales / Reglas de seguridad generales	
■ Symbols	7-8
Symboles / Símbolos	
■ Electrical.....	9
Caractéristiques électriques / Aspectos eléctricos	
■ Glossary of Terms.....	10
Glossaire / Glosario de términos	
■ Features.....	11-12
Caractéristiques / Características	
■ Assembly.....	12-13
Assemblage / Armado	
■ Operation.....	13-20
Utilisation / Funcionamiento	
■ Maintenance.....	21-28
Entretien / Mantenimiento	
■ Bar and Chain Combinations	29
Vue éclatée et liste des pièces / Vista desarrollada y lista de piezas	
■ Troubleshooting.....	29
Dépannage / Corrección de problemas	
■ Warranty	30
Garantie / Garantía	
■ Parts Ordering and Service	Back Page
Commande de pièces et réparation / Pedidos de piezas y servicio	Page arrière / Pág. posterior

INTRODUCTION

INTRODUCTION / INTRODUCCIÓN

This product has many features for making its use more pleasant and enjoyable. Safety, performance, and dependability have been given top priority in the design of this product making it easy to maintain and operate.

* * *

Ce produit offre de nombreuses fonctions destinées à rendre son utilisation plus plaisante et satisfaisante. Lors de la conception de ce produit, l'accent a été mis sur la sécurité, les performances et la fiabilité, afin d'en faire un outil facile à utiliser et à entretenir.

* * *

Este producto ofrece numerosas características para hacer más agradable y placentero su uso. En el diseño de este producto se ha conferido prioridad a la seguridad, el desempeño y la fiabilidad, por lo cual se facilita su manejo y mantenimiento.

GENERAL SAFETY RULES

WARNING:

Do not attempt to operate this unit until you have read thoroughly and understand completely all instructions, safety information, etc. contained in this manual. Failure to comply can result in accidents involving fire, electric shock, or serious personal injury.

READ ALL INSTRUCTIONS

BASIC SAFETY PRECAUTIONS

- Do not start cutting until you have a clear work area, secure footing, and a planned retreat path from the falling tree. Cluttered areas invite accidents.
- Keep ALL children, bystanders, visitors, and animals out of the work area while starting or cutting with the chain saw.
- Do not operate chain saw in explosive atmospheres, such as in the presence of flammable liquids, gases, or dust. Power tools create sparks which may ignite the dust or fumes.
- **WARNING:** Use outdoor extension cords marked SW-A, SOW-A, STW-A, STOW-A, SJW-A, SJTW-A, or SJTOW-A. These cords are rated for outdoor use and reduce the risk of electric shock.
- **Polarized Plugs.** To reduce the risk of electric shock, this tool has a polarized plug (one blade is wider than the other). This plug will fit in a polarized outlet only one way. If the plug does not fit fully in the outlet, reverse the plug. If it still does not fit, contact a qualified electrician to install the proper outlet. Do not change the plug in any way.
- Make sure your extension cord is in good condition. When using an extension cord, be sure to use one heavy enough to carry the current your product will draw. A wire gauge size (A.W.G.) of at least 14 is recommended for an extension cord 50 feet or less in length. A cord exceeding 100 feet is not recommended. If in doubt, use the next heavier gauge. The smaller the gauge number, the heavier the cord. An undersized cord will cause a drop in line voltage resulting in loss of power and overheating.
- Inspect extension cords periodically and, if damaged, have repaired by a licensed electrician. Constantly stay aware of cord location. Following this rule will reduce the risk of electric shock or fire.
- Wear snug fitting clothing. Always wear heavy, long pants, long sleeves, overalls, jeans or chaps made of cut resistant material or ones that contain cut resistant inserts. Wear non-slip safety footwear. Wear non-slip heavy duty gloves to improve your grip and to protect your hands. Do not wear jewelry, short pants, sandals, or go barefoot. Do not wear loose fitting clothing, which could be drawn into the motor or catch the chain or underbrush. Secure hair so it is above shoulder level.
- Heavy protective clothing may increase operator fatigue, which could lead to heat stroke. During weather that is hot and humid, heavy work should be scheduled for early morning or late afternoon hours when temperatures are cooler.
- Wear eye protection with side shields, which is marked to comply with ANSI Z87.1, along with head protection when operating this equipment.
- Always be aware of what you are doing when using the chain saw. Use common sense. Do not operate the chain saw when you are tired, ill, or under the influence of alcohol, drugs, or medication.
- Do not expose the chain saw to rain.
- Do not use the chain saw in damp or wet locations.
- Always be aware of extension cord while operating chain saw. Take precautions to avoid tripping over cord. Keep cord away from chain and operator at all times. Never carry saw by the cord or pull it to disconnect from receptacle. Keep cord from oil and sharp edges.
- Stay alert and pay attention to what you are doing. Use common sense when using this unit.
- Keep all parts of your body away from the saw chain when the unit is running.
- Always carry the chain saw by the front handle with the unit unplugged and the guide bar

GENERAL SAFETY RULES

and saw chain positioned to the rear. When transporting your chain saw, use the appropriate guide bar scabbard.

- Never let anyone use your chain saw who has not received adequate instructions in its proper use. This applies to rentals as well as privately owned saws.
- Before you start the unit, make sure the saw chain is not contacting any object.
- Stop the chain saw before setting it down.
- To avoid accidental starting, never carry the unit with your finger on the switch trigger.
- Maintain the unit with care. Keep the cutting edge sharp and clean for best performance and to reduce the risk of injury. Follow instructions for lubricating and changing accessories.
- Keep handles dry, clean, and free of oil and grease.
- Do not operate a chain saw with one hand! Use a firm grip with thumbs and fingers encircling the chain saw handles. Serious injury to the operator, helpers, bystanders, or any combination of these persons may result from one-handed operation. A chain saw is intended for two-handed use.
- Avoid body contact with grounded surfaces such as metal pipes and wire fences. There is an increased risk of electric shock if your body is grounded.
- Do not operate a chain saw that is damaged, improperly adjusted, or not completely and securely assembled. Chain should slow to a stop when the switch trigger is released. If the chain continues to turn after the switch trigger has been released, have the unit serviced by your nearest Homelite service dealer.
- Check for damaged parts. Check for alignment of moving parts, binding of moving parts, breakage of parts, mounting, and any other conditions that may affect its operation. A guard or other part that is damaged should be properly repaired or replaced by an authorized service dealer unless otherwise indicated elsewhere in this manual.
- All chain saw service, other than the items listed in the operation and maintenance sections,

should be performed by your nearest Homelite service dealer.

- Always maintain a proper stance.
- Do not use chain saw if switch does not turn it on and off. Have defective switch replaced by authorized service center.
- Do not adapt your powerhead to a bow guide or use it to power any attachments or devices not listed for the saw.
- Disconnect chain saw from power supply when not in use, before servicing, and when making adjustments and changing attachments, such as saw chain and guard.
- Do not cut vines and/or small underbrush.
- Do not operate a chain saw in a tree, on a ladder, or scaffold; this is extremely dangerous.
NOTE: The size of the work area depends on the job being performed as well as the size tree or work piece involved. For example, felling a tree requires a larger work area than making bucking cuts.
- Use extreme caution when cutting small size brush and saplings, because small material may catch the saw chain and be whipped toward you or pull you off balance.
- When cutting a limb that is under tension, be alert for spring back so that you will not be struck when the tension in the wood fibers is released.
- Do not force the chain saw. The job can be performed better and safer at the rate for which it was intended.
- Always use the right product for your application. The chain saw should be used for cutting wood only. Never use the chain saw to cut plastic, masonry or non-wood building materials.
- Do not use the chain saw for purposes not intended.
- Store chain saw when not in use. Chain saw should be stored in a dry and high or locked area out of the reach of children. When storing chain saw place the scabbard on the bar and chain and store the chain saw in carrying case.

GENERAL SAFETY RULES

■ **Save these instructions.** Refer to them frequently and use them to instruct others who

may use this product. If you loan someone this product, loan them these instructions also.

⚠ WARNING:

Some dust created by power sanding, sawing, grinding, drilling, and other construction activities contains chemicals known to cause cancer, birth defects or other reproductive harm. Some examples of these chemicals are:

- lead from lead-based paints,
- crystalline silica from bricks and cement and other masonry products, and
- arsenic and chromium from chemically-treated lumber.

Your risk from these exposures varies, depending on how often you do this type of work. To reduce your exposure to these chemicals: work in a well ventilated area, and work with approved safety equipment, such as those dust masks that are specially designed to filter out microscopic particles.

KICKBACK

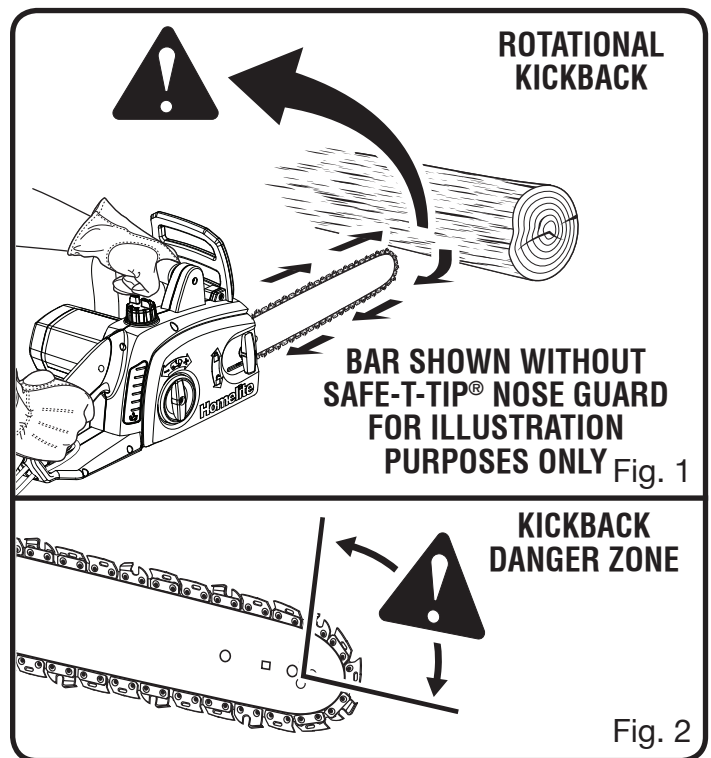
See Figures 1 - 2.

⚠ WARNING:

Kickback may occur when the moving chain contacts an object at the upper portion of the tip of the guide bar or when the wood closes in and pinches the saw chain in the cut. Contact at the upper portion of the tip of the guide bar can cause the chain to dig into the object and stop the chain for an instant. The result is a lightning fast, reverse reaction which kicks the guide bar up and back toward the operator. If the saw chain is pinched along the top of the guide bar, the guide bar can be driven rapidly back toward the operator. Either of these reactions can cause loss of saw control which can result in serious injury. Do not rely exclusively upon the safety devices built into the saw. As a chain saw user, you should take several steps to keep your cutting jobs free from accident or injury.

■ **The following precautions should be followed to minimize kickback:**

1. Always grip the saw firmly with both hands. Hold the saw firmly with both hands when the unit is running. Place your right hand on the rear handle and your left hand on the front handle with your thumbs and fingers encircling the chain saw handles. A firm grip together



with a stiff left arm will help you maintain control of the saw if kickback occurs.

2. Make sure that the area in which you are cutting is free from obstructions. Do not let the nose of the guide bar contact a log, branch, fence, or any other obstruction that could be hit while you are operating the saw.
3. Always cut with the unit running. Fully squeeze the switch trigger and maintain cutting speed.

GENERAL SAFETY RULES

4. Use replacement parts such as low kickback chain, SAFE-T-TIP® anti-kickback nose guards and special guide bars that reduce the risks associated with rotational kickback. Use only the replacement guide bars and low kickback chains specified by the manufacturer for the saw.

- With a basic understanding of kickback, you can reduce or eliminate the element of surprise. Sudden surprise contributes to accidents.
- Keep proper footing and balance at all times.
- Do not cut above shoulder height or overreach when cutting.
- Keep the SAFE-T-TIP® anti-kickback nose guard properly mounted on the guide bar to prevent rotational kickback.
- Follow the sharpening and maintenance instructions for the saw chain.
- Push and Pull - This reaction force is always opposite to the direction the chain is moving where wood contact is made. Thus, the operator must be ready to control the PULL when cutting on the bottom edge of the bar, and PUSH when cutting along the top edge. See Figure 3.

UNDERSTANDING YOUR CHAIN SAW SAFETY DEVICES

See Figure 4.

SAFE-T-TIP® ANTI-KICKBACK NOSE GUARD

The SAFE-T-TIP® prevents rotational kickback from happening, because it covers the tip of the bar where kickback is generated. Never attempt any kind of cutting where the SAFE-T-TIP® would have to be removed from the bar tip.

LOW KICKBACK SAW CHAIN

The rakers (depth gauges) ahead of each cutter can minimize the force of a kickback reaction by preventing the cutters from digging in too deeply at the kickback zone. Only use replacement chain that is equivalent to original chain or has been certified as low kickback chain per ANSI B175.1.

Low kickback/skip tooth saw chain is a chain that has met the kickback performance requirements of ANSI B175.1 - 1991 (American National Stan-

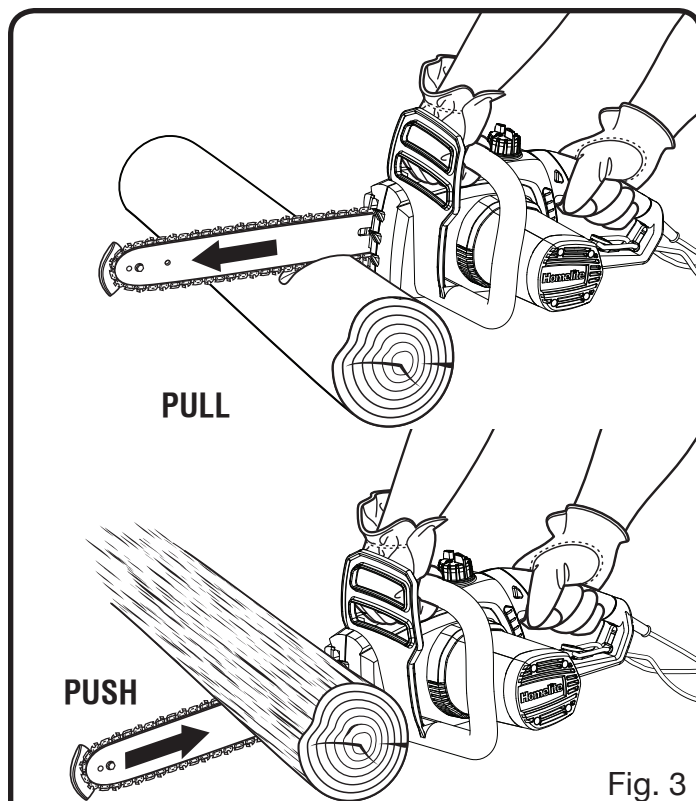


Fig. 3

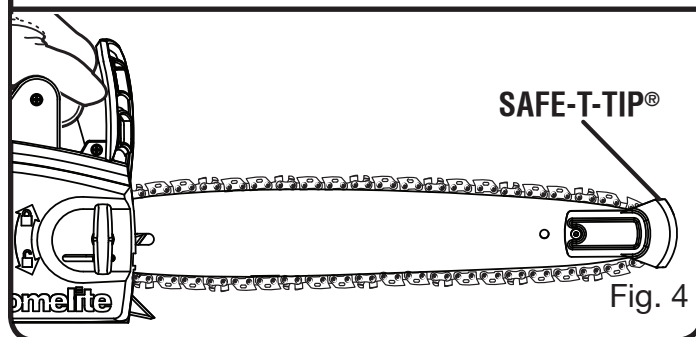


Fig. 4

dard for Power Tools - Gasoline-Powered Chain Saws-Safety Requirements) when tested on the representative sample of chain saws below 3.8 c.i.d. specified in ANSI B175.1 - 1991.

As saw chains are sharpened during their useful life, they lose some of the low kickback qualities and extra caution should be used.














GUIDE BARS

Generally, guide bars with small radius tips have somewhat lower kickback potentials.

When making a replacement, be sure to order one of the Homelite bars listed for the saw in this operator's manual. The proper size SAFE-T-TIP® nose guard comes installed on the bar. Use only guide bars that have a provision for mounting the SAFE-T-TIP®.




SYMBOLS

Some of the following symbols may be used on this product. Please study them and learn their meaning. Proper interpretation of these symbols will allow you to operate the product better and safer.

SYMBOL	NAME	DESIGNATION/EXPLANATION
	Safety Alert	Indicates a potential personal injury hazard.
	Read The Operator's Manual	To reduce the risk of injury, user must read and understand operator's manual before using this product.
	Wear Eye and Head Protection	Always wear eye protection with side shields marked to comply with ANSI Z87.1, along with head protection.
	Wet Conditions Alert	Do not expose to rain or use in damp locations.
	SAFE-T-TIP Nose Guard	The SAFE-T-TIP nose guard on the guide bar helps prevent kickback.
	Operate With Two Hands	Hold and operate the saw properly with both hands.
	One Handed	Do not operate the saw using only one hand.
	Kickback	DANGER! Beware of kickback.
	Bar Nose Contact	Avoid bar nose contact.
	Wear Gloves	Wear non-slip, heavy-duty protective gloves when handling the chain saw.
	Wear Safety Footwear	Wear non-slip safety footwear when using this equipment.
	Keep Bystanders Away	Keep all bystanders and animals at least 50 ft. away.
V	Volts	Voltage
A	Amperes	Current
Hz	Hertz	Frequency (cycles per second)
W	Watt	Power
min	Minutes	Time
~	Alternating Current	Type of current
==	Direct Current	Type or a characteristic of current
n_0	No Load Speed	Rotational speed, at no load
	Class II Construction	Double-insulated construction
.../min	Per Minute	Revolutions, strokes, surface speed, orbits etc., per minute

SYMBOLS

The following signal words and meanings are intended to explain the levels of risk associated with this product.

SYMBOL	SIGNAL	MEANING
	DANGER:	Indicates an imminently hazardous situation, which, if not avoided, will result in death or serious injury.
	WARNING:	Indicates a potentially hazardous situation, which, if not avoided, could result in death or serious injury.
	CAUTION:	Indicates a potentially hazardous situation, which, if not avoided, may result in minor or moderate injury.
	CAUTION:	(Without Safety Alert Symbol) Indicates a situation that may result in property damage.

SERVICE

Servicing requires extreme care and knowledge and should be performed only by a qualified service technician. For service we suggest you return the product to your nearest **AUTHORIZED SERVICE CENTER** for repair. When servicing, use only identical replacement parts.

WARNING:

To avoid serious personal injury, do not attempt to use this product until you read thoroughly and understand completely the operator's manual. If you do not understand the warnings and instructions in the operator's manual, do not use this product. Call Homelite customer service for assistance.

WARNING:



Always wear eye protection with side shields marked to comply with ANSI Z87.1, along with head protection. Failure to do so could result in objects being thrown into your eyes and other possible serious injuries.

SAVE THESE INSTRUCTIONS

ELECTRICAL

DOUBLE INSULATION

Double insulation is a concept in safety in electric power tools, which eliminates the need for the usual three-wire grounded power cord. All exposed metal parts are isolated from the internal metal motor components with protecting insulation. Double insulated tools do not need to be grounded.

⚠ WARNING:

The double insulated system is intended to protect the user from shock resulting from a break in the tool's internal insulation. Observe all normal safety precautions to avoid electrical shock.

NOTE: Servicing of a product with double insulation requires extreme care and knowledge of the system and should be performed only by a qualified service technician. For service, we suggest you return the product to your nearest authorized service center for repair. Always use original factory replacement parts when servicing.

ELECTRICAL CONNECTION

This product has a precision-built electric motor. It should be connected to a **power supply that is 120V, AC only (normal household current), 60 Hz**. Do not operate this product on direct current (DC). A substantial voltage drop will cause a loss of power and the motor will overheat. If the product does not operate when plugged into an outlet, double-check the power supply.

EXTENSION CORDS

See Figure 5.

When using a power tool at a considerable distance from a power source, be sure to use an extension cord that has the capacity to handle the current the product will draw. An undersized cord will cause a drop in line voltage, resulting in overheating and loss of power. Use the chart to determine the minimum wire size required in an extension cord. Only round jacketed cords listed by Underwriter's Laboratories (UL) should be used.

When working outdoors with a product, use an extension cord that is designed for outside use. This type of cord is designated with "W-A" or "W" on the cord's jacket.

Before using any extension cord, inspect it for loose or exposed wires and cut or worn insulation.

A proper extension cord is available at an authorized service center.

It is possible to tie the extension cord and power cord in a knot to prevent them from becoming disconnected during use. Make the knot as shown in figure 5, then connect the plug end of the power cord into the receptacle end of the extension cord. This method can also be used to tie two extension cords together.

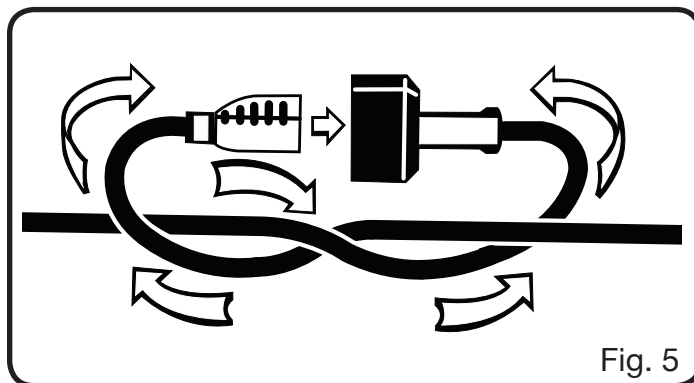


Fig. 5

**Ampere rating (on product data plate)

Cord Length	Wire Size (A.W.G.)					
	0-2.0	2.1-3.4	3.5-5.0	5.1-7.0	7.1-12.0	12.1-16.0
25'	16	16	16	16	14	14
50'	16	16	16	14	14	12
100'	16	16	14	12	10	—

**Used on 12 gauge - 20 amp circuit.

NOTE: AWG = American Wire Gauge

⚠ WARNING:

Keep the extension cord clear of the working area. Position the cord so that it will not get caught on lumber, tools, or other obstructions while you are working with a power tool. Failure to do so can result in serious personal injury.

⚠ WARNING:

Check extension cords before each use. If damaged replace immediately. Never use the product with a damaged cord since touching the damaged area could cause electrical shock resulting in serious injury.

GLOSSARY OF TERMS

Bar Tip Guard

An attachment that may be provided on the end of the guide bar to prevent the chain at the end of the guide bar from contacting the wood.

Bucking

The process of cross cutting a felled tree or log into lengths.

Chain Saw Powerhead

A chain saw without the saw chain and guide bar.

Clutch

A mechanism for connecting and disconnecting a driven member to and from a rotating source of power.

Drive Sprocket or Sprocket

The toothed part that drives the saw chain.

Felling

The process of cutting down a tree.

Felling Back Cut

The final cut in a tree felling operation made on the opposite side of the tree from the notching undercut.

Front Hand Guard

A structural barrier between the front handle of a chain saw and the guide bar, typically located close to the hand position on the front handle, and sometimes employed as an activating lever for a chain brake.

Front Handle

The support handle located at or toward the front of the chain saw. This handle is for the left hand.

Guide Bar

A solid railed structure that supports and guides the saw chain.

Kickback

The backward or upward motion, or both, of the guide bar occurring when the saw chain near the nose of the top area of the guide bar contacts any object such as a log or branch, or when the wood closes in and pinches the saw chain in the cut.

Kickback (Pinch)

The rapid pushback of the saw which can occur when the wood closes in and pinches the moving saw chain in the cut along the top of the guide bar.

Kickback (Rotational)

The rapid upward and backward motion of the saw which can occur when the moving saw chain near the upper portion of the tip of the guide bar contacts an object, such as a log or branch.

Low-Kickback Chain

A chain that complies with the kickback performance requirements of ANSI B175.1 when tested on a representative sample of chain saws.

Normal Cutting Position

Those positions assumed in performing the bucking and felling cuts.

Notching Undercut

A notch cut in a tree that directs the tree's fall.

Oiler Control

A system for oiling the guide bar and saw chain.

Rear Handle

The support handle located at or toward the rear of the saw. It normally contains the throttle. This handle is for the right hand.

Reduced Kickback Guide Bar

A guide bar which has been demonstrated to reduce kickback significantly.

Replacement Saw Chain

A chain that complies with the kickback performance requirements of ANSI B175.1 when tested with specific chain saws. It may not meet the ANSI performance requirements when used with other saws.

Saw Chain

A loop of chain having cutting teeth that cut the wood, and that is driven by the motor and is supported by the guide bar.

Spiked Bumper (Spike)

The pointed tooth or teeth for use when felling or bucking to pivot the saw and maintain position while sawing.

Switch

A device that when operated will complete or interrupt an electrical power circuit to the motor of the chain saw.

Switch Linkage

The mechanism that transmits motion from a trigger to the switch.

Switch Lock-out

A movable stop that prevents the unintentional operation of the switch until manually actuated.

FEATURES

PRODUCT SPECIFICATIONS

UT43100

Bar length 14 in.
 Chain pitch375 in.
 Chain gauge050 in.
 Chain type Low Profile Skip Tooth
 Drive sprocket 7-tooth
 Input 120 V, AC only, 60 Hz, 9 Amps
 Chain oil tank capacity 6 oz.
 Weight - No bar, chain, or lubricant 7.8 lbs.

UT43120

Bar length 16 in.
 Chain pitch375 in.
 Chain gauge050 in.
 Chain type Low Profile Skip Tooth
 Drive sprocket 7-tooth
 Input 120V, AC only, 60 Hz, 12 Amps
 Chain oil tank capacity 6 oz.
 Weight - No bar, chain, or lubricant 8.5 lbs.

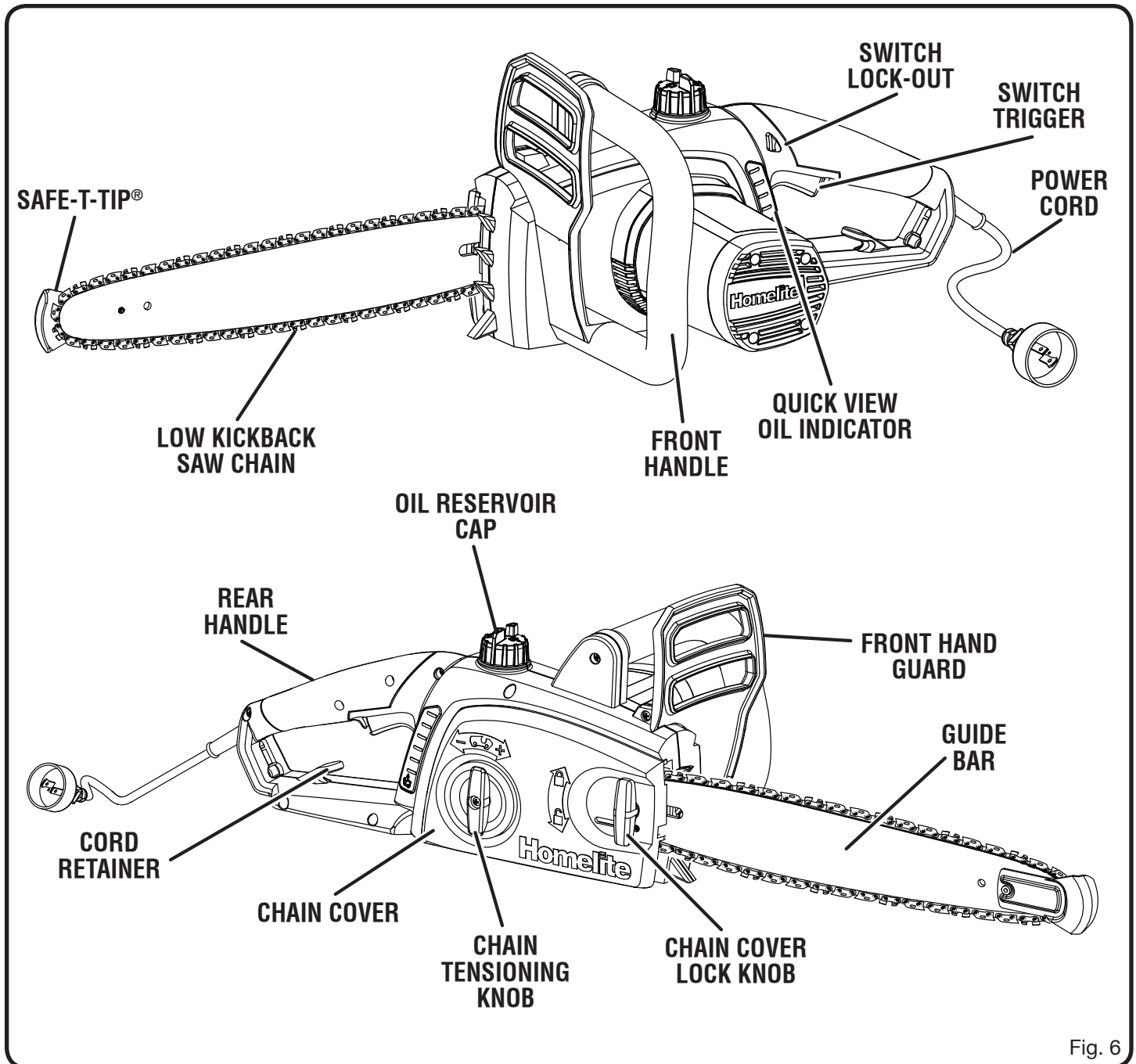


Fig. 6

FEATURES

KNOW YOUR CHAIN SAW

See Figure 6.

The safe use of this product requires an understanding of the information on the tool and in this operator's manual as well as a knowledge of the project you are attempting. Before use of this product, familiarize yourself with all operating features and safety rules.

CHAIN TENSIONING KNOB

This feature allows user to adjust the tension of the chain.

GUIDE BAR

The factory-equipped guide bar has a small radius tip that offers a somewhat lower kickback potential.

LOW KICKBACK SAW CHAIN

The low kickback saw chain helps minimize the force of a kickback reaction by preventing the cutters from digging in too deeply at the kickback zone.

QUICK VIEW OIL INDICATOR

Semi-transparent oil reservoir that allows user to see when to add oil.

SAFE-T-TIP® ANTI-KICKBACK NOSE GUARD

The Safe-T-Tip® Anti-Kickback Nose Guard is an attachment provided on the end of the guide bar to prevent the chain on the end of the guide bar from contacting the wood.

SWITCH LOCK-OUT

A control feature designed to prevent the motor from being accidentally started.

SWITCH TRIGGER

Squeeze the switch trigger to operate the unit after switch lock-out has been pushed in. Release the switch trigger to stop the unit.

ASSEMBLY

UNPACKING

This product has been shipped completely assembled.

- Carefully remove the product and any accessories from the box. Make sure that all items listed in the packing list are included.

WARNING:

Do not use this product if any parts on the Packing List are already assembled to your product when you unpack it. Parts on this list are not assembled to the product by the manufacturer and require customer installation. Use of a product that may have been improperly assembled could result in serious personal injury.

- Inspect the product carefully to make sure no breakage or damage occurred during shipping.

- Do not discard the packing material until you have carefully inspected and satisfactorily operated the product.
- If any parts are damaged or missing, please call 1-800-242-4672 for assistance.

PACKING LIST

Chain Saw
Scabbard (Model UT43120 only)
Storage Bag (Model UT43120 only)
Operator's Manual

WARNING:

If any parts are damaged or missing do not operate this product until the parts are replaced. Use of this product with damaged or missing parts could result in serious personal injury.

ASSEMBLY

⚠ WARNING:

Do not attempt to modify this product or create accessories not recommended for use with this product. Any such alteration or modification is misuse and could result in a hazardous condition leading to possible serious personal injury.

⚠ WARNING:

Do not connect to power supply until assembly is complete. Failure to comply could result in accidental starting and possible serious personal injury.

OPERATION

⚠ DANGER:

Never use near power lines or other electric sources. Contact with power lines or electric sources will result in death by electrocution or serious injury.

⚠ WARNING:

Do not allow familiarity with this product to make you careless. Remember that a careless fraction of a second is sufficient to inflict serious injury.

⚠ WARNING:

Always wear eye protection with side shields marked to comply with ANSI Z87.1, along with head protection. Failure to do so could result in objects being thrown into your eyes and other possible serious injuries.

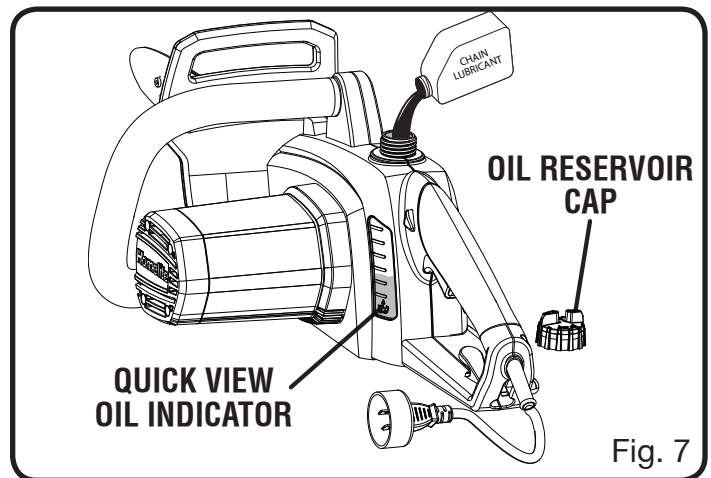
⚠ WARNING:

Do not use any attachments or accessories not recommended by the manufacturer of this product. The use of attachments or accessories not recommended can result in serious personal injury.

APPLICATIONS

You may use this product for the purposes listed below:

- Basic limbing, felling, and woodcutting
- Removing buttress roots



ADDING BAR AND CHAIN LUBRICANT

See Figure 7

Use HOMELITE Bar and Chain Lubricant. It is designed for chains and chain oilers, and is formulated to perform over a wide temperature range with no dilution required.

NOTE: Chain saw comes from the factory with no bar and chain oil added. Level should also be checked after every 20 minutes of use and refilled as needed.

- Remove oil cap.
- Carefully pour the bar and chain oil into the tank.
- Wipe off excess oil.
- Check and fill the oil tank when quick view oil indicator is below the second to last indicator line.
- Repeat as needed.

NOTE: Do not use dirty, used or otherwise contaminated oils. Damage may occur to the bar or chain.

OPERATION

NOTE: It is normal for oil to seep from the saw when not in use. To prevent seepage, empty the oil tank after each use then run for one minute. When storing the unit for a long period of time (three months or longer) be sure the chain is lightly lubricated; this will prevent rust on the chain and bar sprocket.

CONNECTING TO POWER SUPPLY

See Figure 8

This chain saw is designed with a cord retainer that prevents the extension cord from being pulled loose while using.

- Form a loop with the end of the extension cord.
- Insert loop portion of extension cord through the opening in the side of the rear handle and place over cord hitch.
- Slowly pull loop against cord retainer until the slack is removed.
- Plug chain saw into extension cord.

NOTE: Failure to remove all excess cord slack from extension cord retainer could result in plug loosening from receptacle.

STARTING AND STOPPING THE CHAIN SAW

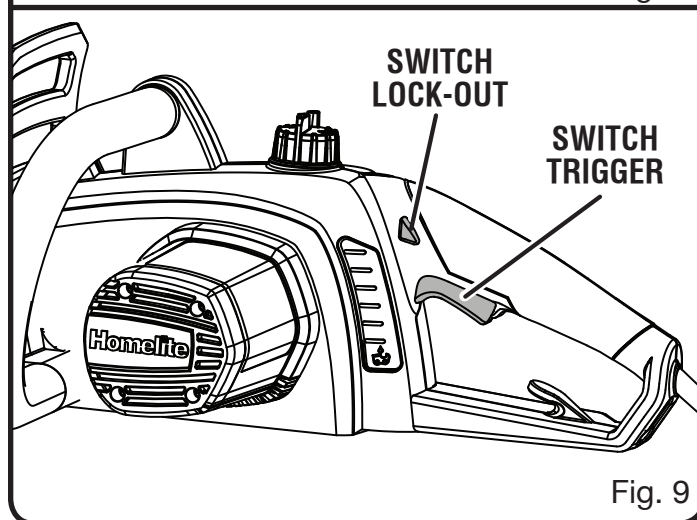
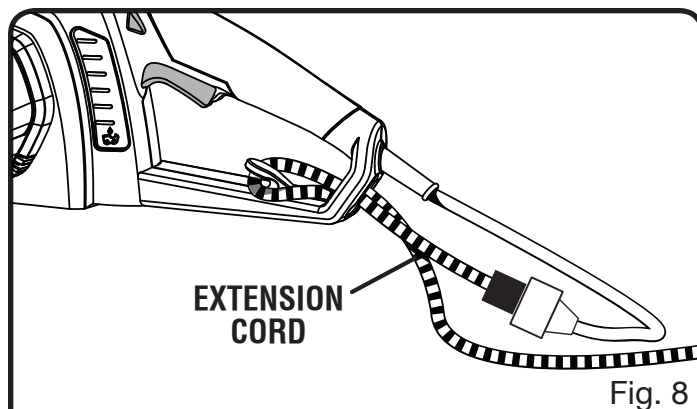
See Figure 9.

⚠ WARNING:

Keep body to the left of the chain line. Never straddle the saw or chain, or lean over past the chain line.

Starting the chain saw:

- Make sure chain tension is at desired setting. Refer to **Adjusting the Chain Tension** in the *Maintenance* section of this manual.
- Make sure the chain cover lock knob is tight to the chain cover.
- Make sure no objects or obstructions are in immediate vicinity which could come in contact with the bar and chain.
- Press and hold the switch lock-out. This makes the switch trigger operational.
- Press and hold the switch trigger, release the switch lock-out and continue to squeeze the switch trigger for continued operation.



Stopping the chain saw:

NOTE: It is normal for the chain to coast to a stop once the trigger switch is released.

- Release the switch trigger to stop the chain saw.
- Upon release of the switch trigger, the switch lock-out will be automatically reset to the lock position.

PREPARING FOR CUTTING PROPER GRIP ON HANDLES

See Figure 10.

See *General Safety Rules* for appropriate safety equipment.

- Wear non-slip gloves for maximum grip and protection.
- Hold the saw firmly with both hands. Always keep your left hand on the front handle and your right hand on the rear handle so that your body is to the left of the chain line.

OPERATION

⚠ WARNING:

Never use a left-handed (cross-handed) grip or any stance that would place your body or arm across the chain line.

- Maintain a proper grip on the saw whenever the motor is running. The fingers should encircle the handle and the thumb is wrapped under the handlebar. This grip is least likely to be broken by a kickback or other sudden reaction of the saw. Any grip in which the thumb and fingers are on the same side of the handle is dangerous because a slight kick of the saw can cause loss of control.

⚠ WARNING:

DO NOT operate the switch trigger with your left hand and hold the front handle with your right hand. Never allow any part of your body to be in the chain line while operating a saw.

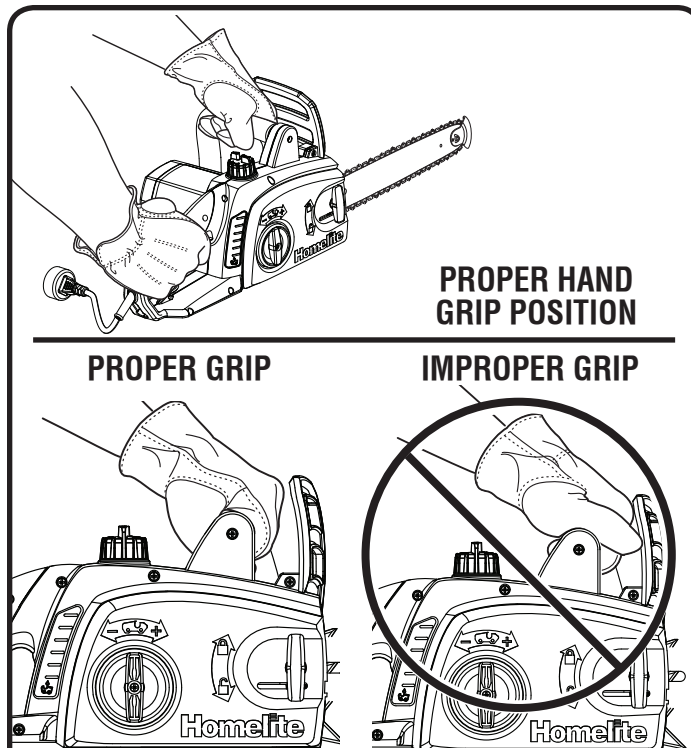


Fig. 10

PROPER CUTTING STANCE

See Figure 11.

- Balance your weight with both feet on solid ground.
- Keep left arm with elbow locked in a “straight arm” position to withstand any kickback force.
- Keep your body to the left of the chain line.
- Keep your thumb on underside of handlebar.

BASIC OPERATING/CUTTING PROCEDURES

Practice cutting a few small logs using the following technique to get the “feel” of using the saw before you begin a major sawing operation.

- Take the proper stance in front of the wood with the saw idling.
- Press the switch lock-out and squeeze the switch trigger then release switch lock-out and let the chain accelerate to full speed before entering the cut.

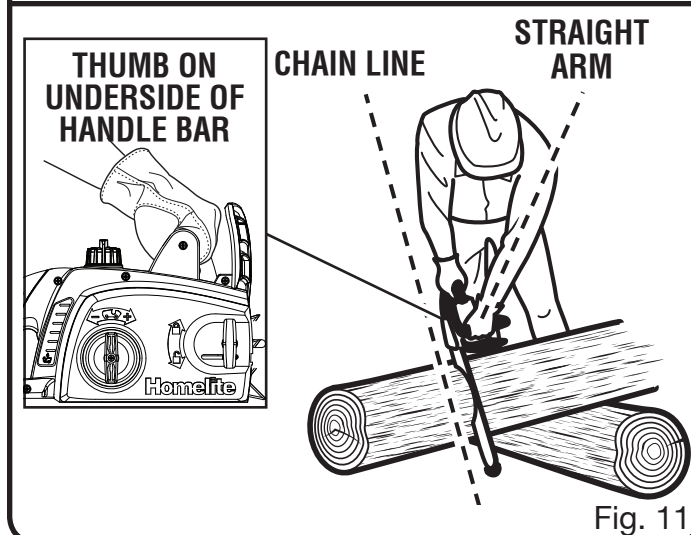


Fig. 11

- Begin cutting with the saw against the log.
- Keep the unit running the entire time you are cutting, maintain a steady speed.
- Allow the chain to cut for you; exert only light downward pressure. Forcing the cut could result in damage to the bar, chain, or motor.
- Release the switch trigger as soon as the cut is completed, allowing the chain to stop. If you run the saw without a cutting load, unnecessary wear can occur to the chain, bar, and unit.
- Do not put pressure on the saw at the end of the cut.

OPERATION

WORK AREA PRECAUTIONS

See Figure 12.

- Cut only wood or materials made from wood; no sheet metal, no plastics, no masonry, no non-wood building materials.
- Never allow children to operate the saw. Allow no person to use this chain saw who has not read this operator's manual or received adequate instructions for the safe and proper use of this chain saw.
- Keep everyone – helpers, bystanders, children, and animals – a **SAFE DISTANCE** from the cutting area. During felling operations, the safe distance should be a least twice the height of the largest trees in the felling area. During bucking operations, keep a minimum distance of 15 feet between workers.
- Always cut with both feet on solid ground to prevent being pulled off balance.
- Do not cut above chest height as a saw held higher is difficult to control against kickback forces.
- Do not fell trees near electrical wires or buildings. Leave this operation for professionals.
- Cut only when visibility and light are adequate for you to see clearly.

FELLING TREES

HAZARDOUS CONDITIONS

WARNING:

Do not fell trees during periods of high wind or heavy precipitation. Wait until the hazardous weather has ended.

When felling a tree, it is important that you heed the following warnings to prevent possible serious injury.

- Do not cut down trees having an extreme lean or large trees with rotten limbs, loose bark, or hollow trunks. Have these trees pushed or dragged down with heavy equipment, then cut them up.
- Do not cut trees near electrical wires or buildings.



Fig. 12

- Check the tree for damaged or dead branches that could fall and hit you during felling.
- Periodically glance at the top of the tree during the backcut to assure the tree is going to fall in the desired direction.
- If the tree starts to fall in the wrong direction, or if the saw gets caught or hung up during the fall, leave the saw and save yourself!

PROPER PROCEDURE FOR TREE FELLING

See Figures 13 - 16.

- Felling a tree — When bucking and felling operations are being performed by two or more persons, at the same time, the felling operation should be separated from the bucking operation by a distance of at least twice the height of the tree being felled. Trees should not be felled in a manner that would endanger any person, strike any utility line or cause any property damage. If the tree does make contact with any utility line, the utility company should be notified immediately.
- Operator should keep on the uphill side of terrain as the tree is likely to roll or slide after it is felled.
- Pick your escape route (or routes in case the intended route is blocked). Clear the immediate area around the tree and make sure there are no obstructions in your planned path of retreat. Clear the path of safe retreat approximately 135° from the planned line of fall.
- Consider the force and direction of the wind, the lean and balance of the tree, and the location of large limbs. These things influence the direction in which the tree will fall. Do not try to

OPERATION

fell a tree along a line different from its natural line of fall.

- Remove dirt, stones, loose bark, nails, staples, and wire from the tree where felling cuts are to be made.
- **Notched Undercut.** Cut a notch about 1/3 the diameter of the trunk in the side of the tree. Make the notch cuts so they intersect at a right angle to the line of fall. This notch should be cleaned out to leave a straight line. To keep the weight of the wood off the saw, always make the lower cut of the notch before the upper cut.
- **Felling Backcut.** As the felling cut gets close to the hinge the tree should begin to fall. If there is any chance the tree may not fall in the desired direction or it may rock back and bind the saw chain, stop cutting before the felling cut is complete and use wedges of wood, plastic or aluminum to open the cut and drop the tree along its desired line of fall. Make the backcut level and horizontal, and at a minimum of 2 in. above the horizontal cut of the notch.

NOTE: Never cut through to the notch. Always leave a band of wood between the notch and back cut (approximately 2 in. or 1/10 the diameter of the tree). This is called “hinge” or “hingewood.” It controls the fall of the tree and prevents slipping or twisting or shootback of the tree off the stump.

- On large diameter trees, stop the back cut before it is deep enough for the tree to either fall or settle back on the stump. Then insert soft wooden or plastic wedges into the cut so they do not touch the chain. Drive wedges in, little by little, to help jack the tree over.
- When bucking or felling with a wedge, it may be necessary to remove the SAFE-T-TIP anti-kickback device to allow the bar to be drawn through the cut. After you complete the cut, reinstall the tip immediately.
- As tree starts to fall, stop the chain saw and put it down immediately. Retreat along the cleared path, but watch the action in case something falls your way.

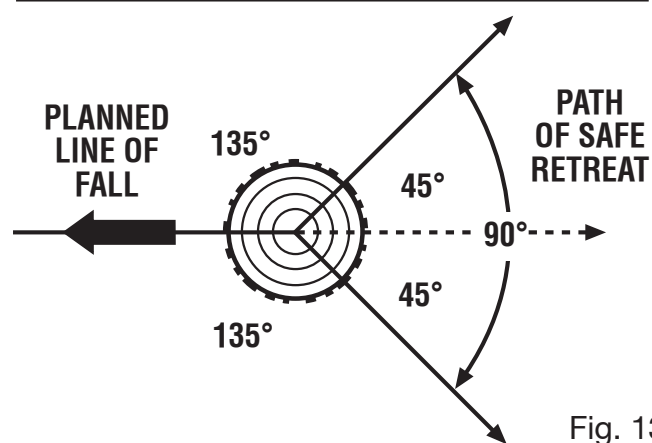
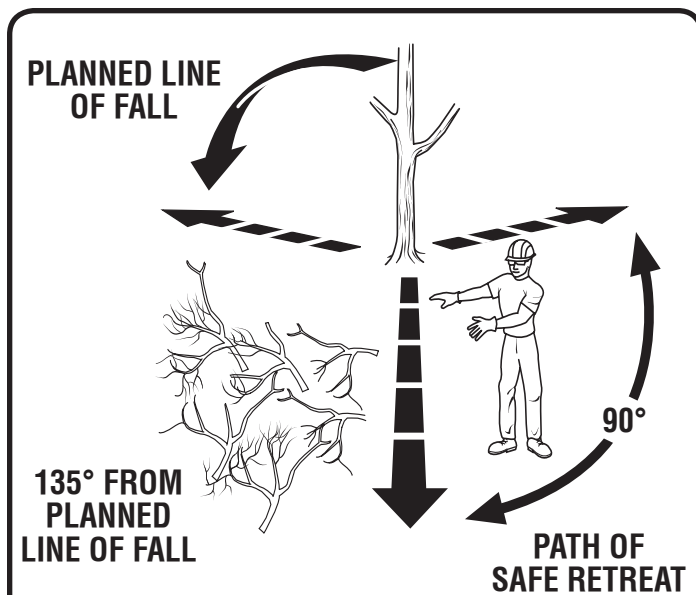


Fig. 13

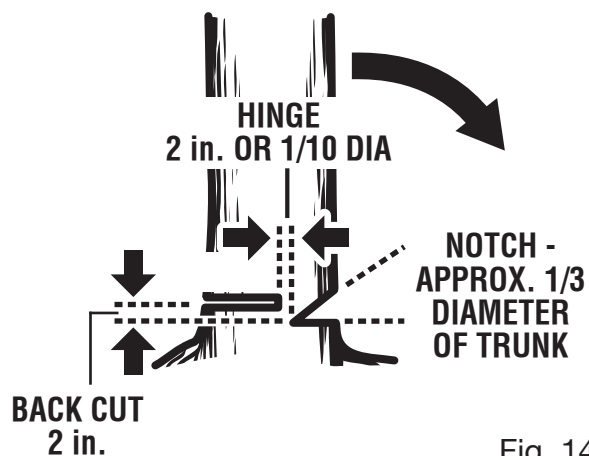


Fig. 14

OPERATION

⚠ WARNING:

Never cut through to the notch when making a back cut. The hinge controls the fall of the tree, this is the section of wood between the notch and backcut.

REMOVING BUTTRESS ROOTS

See Figure 17.

A buttress root is a large root extending from the trunk of the tree above the ground. Remove large buttress roots prior to felling. Make the horizontal cut into the buttress first, followed by the vertical cut. Remove the resulting loose section from the work area. Follow the correct tree felling procedure as stated in **Proper Procedure For Tree Felling** after you have removed the large buttress roots.

BUCKING

See Figure 18.

Bucking is the term used for cutting a fallen tree to the desired log length.

- Always make sure your footing is secure and your weight is distributed evenly on both feet.
- Cut only one log at a time.
- Support small logs on a saw horse or another log while bucking.
- Keep a clear cutting area. Make sure that no objects can contact the guide bar nose and chain during cutting, this can cause kickback. To avoid the danger, keep the SAFE-T-TIP anti-kickback device attached while cutting. Refer to **Kickback** earlier in this manual.
- When bucking on a slope, always stand on the uphill side of the log. To maintain complete control of the chain saw when cutting through the log, release the cutting pressure near the end of the cut without relaxing your grip on the chain saw handles. Do not let the chain contact the ground. After completing the cut, wait for the saw chain to stop before you move the chain saw. Always stop the motor before moving from tree to tree.

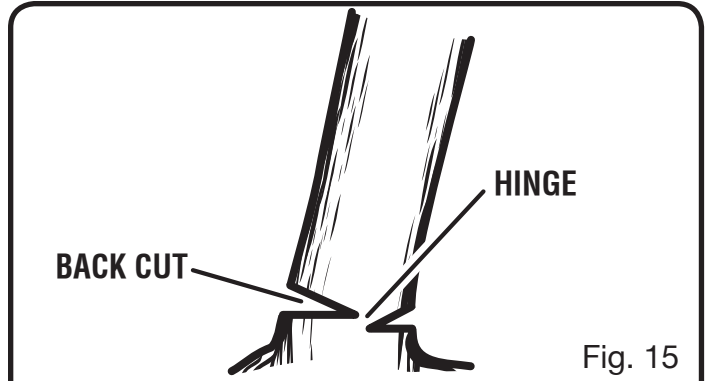


Fig. 15

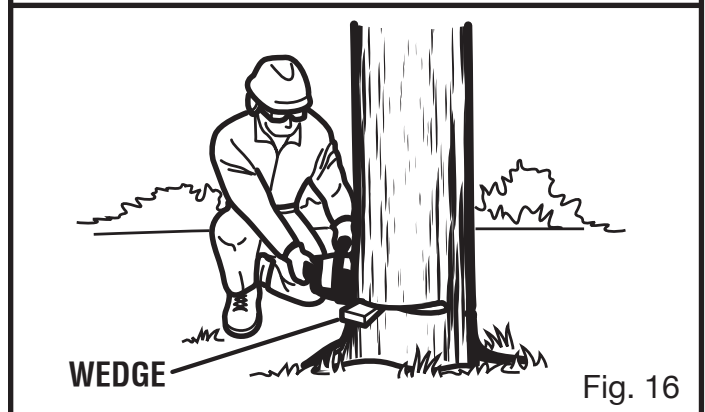


Fig. 16

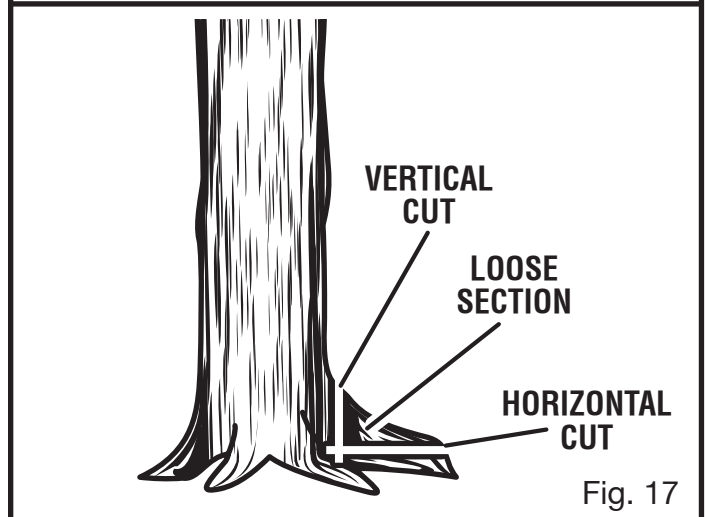


Fig. 17

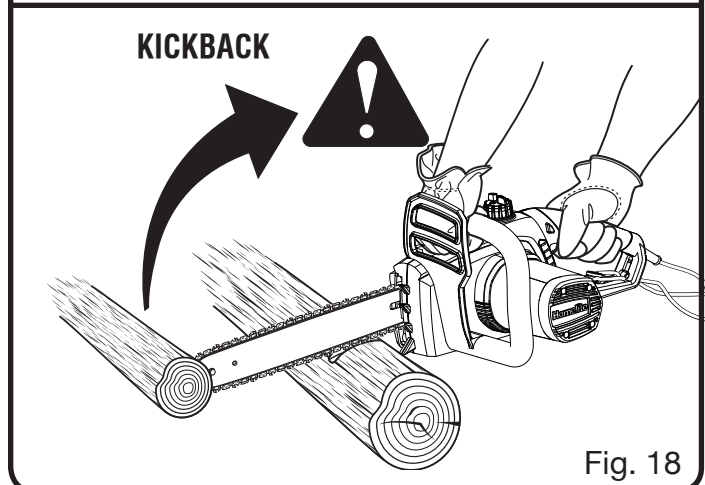


Fig. 18

OPERATION

BUCKING WITH A WEDGE

See Figure 19.

If the wood diameter is large enough for you to insert a soft bucking wedge without touching the chain, you should use the wedge to hold the cut open to prevent pinching.

NOTE: When bucking or felling with a wedge, you may need to remove the SAFE-T-TIP anti-kickback device to allow the bar to be drawn through the cut. After you complete the cut, reinstall the tip.

BUCKING LOGS UNDER STRESS

See Figure 20.

Make the first bucking cut 1/3 of the way through the log and finish with a 2/3 cut on the opposite side. As you cut the log, it will tend to bend. The saw can become pinched or hung in the log if you make the first cut deeper than 1/3 of the diameter of the log.

Give special attention to logs under stress to prevent the bar and chain from pinching.

OVERBUCKING

See Figure 21.

Begin on the top side of the log with the bottom of the saw against the log; exert light pressure downward. Note that the saw will tend to pull away from you.

UNDERBUCKING

See Figure 22.

Begin on the under side of the log with the top of the saw against the log; exert light pressure upward. During underbucking, the saw will tend to push back at you. Be prepared for this reaction and hold the saw firmly to maintain control.

LIMBING

See Figure 23.

Limbing is removing branches from a fallen tree.

- Work slowly, keeping both hands on the chain saw with a firm grip. Always make sure your footing is secure and your weight is distributed evenly on both feet.
- Leave the larger support limbs under the tree to keep the tree off the ground while cutting.
- Limbs should be cut one at a time. Remove the

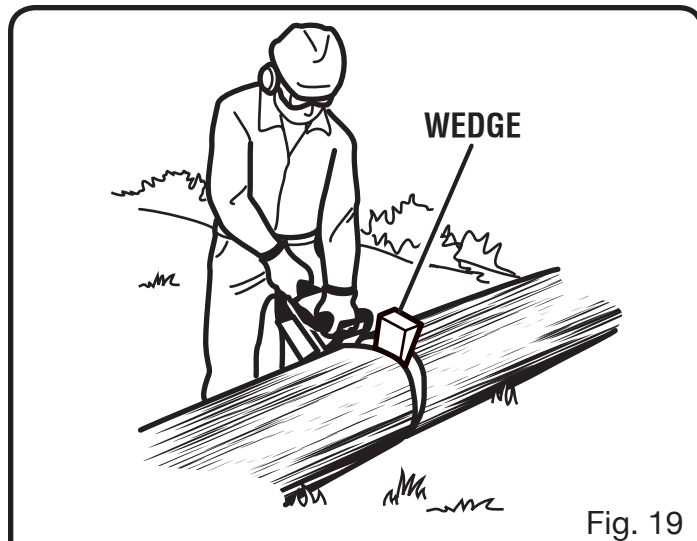


Fig. 19

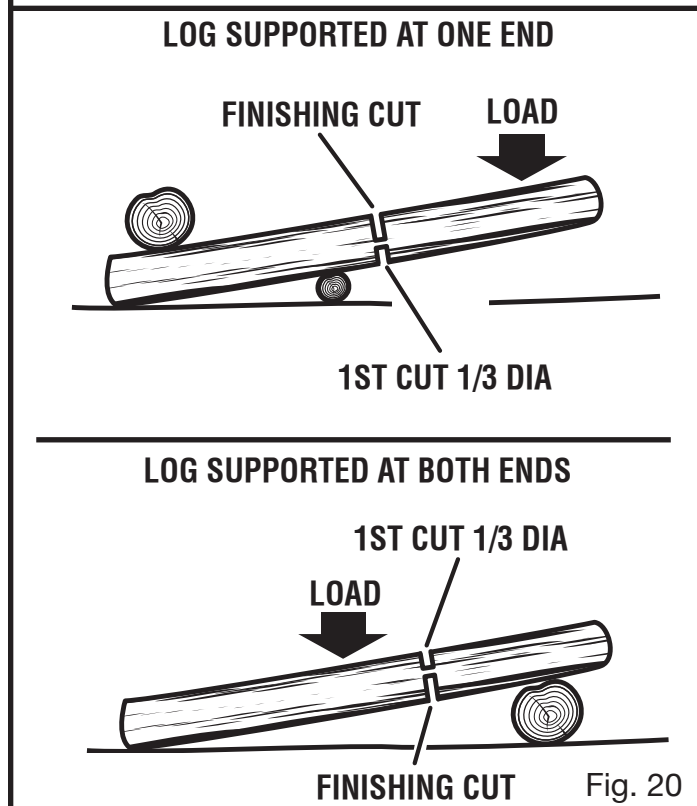


Fig. 20

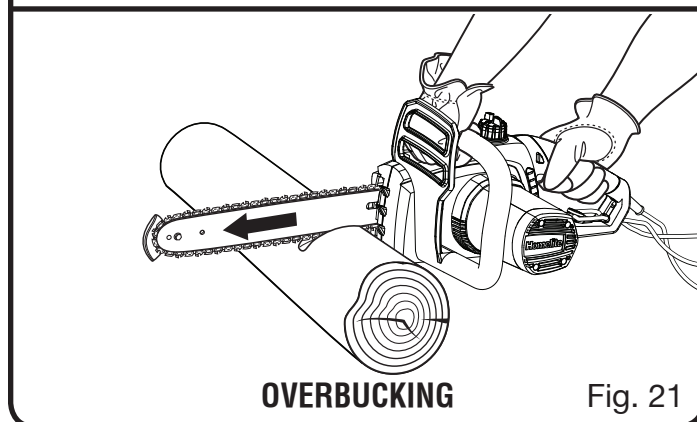


Fig. 21

OPERATION

cut limbs from the work area often to help keep the work area clean and safe.

- Branches under tension should be cut from the bottom up to avoid binding the chain saw.
- Keep the tree between you and the chain saw while limbing. Cut from the side of the tree opposite the branch you are cutting.

PRUNING

See Figure 24.

Pruning is trimming limbs from a live tree.

- Work slowly, keeping both hands on the chain saw with a firm grip. Always make sure your footing is secure and your weight is distributed evenly on both feet.
- Do not cut from a ladder, this is extremely dangerous. Leave this operation for professionals.
- Do not cut above chest height as a saw held higher is difficult to control against kickback.
- When pruning trees it is important not to make the finishing cut next to the main limb or trunk until you have cut off the limb further out to reduce the weight. This prevents stripping the bark from the main member.
- Underbuck the branch 1/3 through for your first cut.
- Your second cut should overbuck to drop the branch off.
- Now make your finishing cut smoothly and neatly against the main member so the bark will grow back to seal the wound.

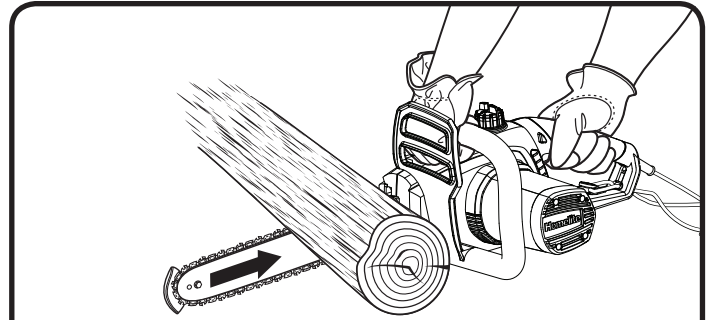
⚠ WARNING:

If the limbs to be pruned are above chest height, hire a professional to perform the pruning.

CUTTING SPRINGPOLES

See Figure 25.

A springpole is any log, branch, rooted stump, or sapling which is bent under tension by other wood so that it springs back if the wood holding it is cut or removed. On a fallen tree, a rooted stump has a high potential of springing back to the upright position during the bucking cut to separate the log from the stump. Watch out for springpoles — they are dangerous.



UNDERBUCKING

Fig. 22

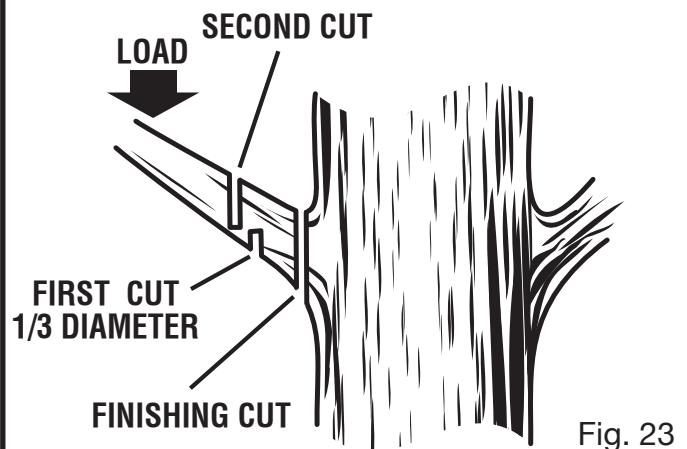


Fig. 23

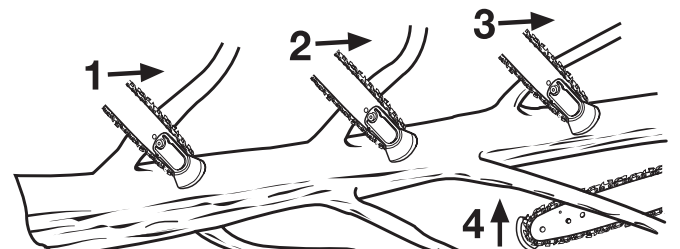


Fig. 24



Fig. 25

⚠ WARNING:

Springpoles are dangerous and could strike the operator, causing the operator to lose control of the chain saw. This could result in severe or fatal injury to the operator.

MAINTENANCE

⚠ WARNING:

When servicing, use only identical Homelite replacement parts. Use of any other parts may create a hazard or cause product damage.

⚠ WARNING:

Always wear eye protection with side shields marked to comply with ANSI Z87.1, along with head protection. Failure to do so could result in objects being thrown into your eyes and other possible serious injuries.

GENERAL MAINTENANCE

Avoid using solvents when cleaning plastic parts. Most plastics are susceptible to damage from various types of commercial solvents and may be damaged by their use. Use clean cloths to remove dirt, dust, lubricant, grease, etc.

⚠ WARNING:

Do not at any time let brake fluids, gasoline, petroleum-based products, penetrating lubricants, etc., come in contact with plastic parts. Chemicals can damage, weaken or destroy plastic which may result in serious personal injury.

LUBRICATION

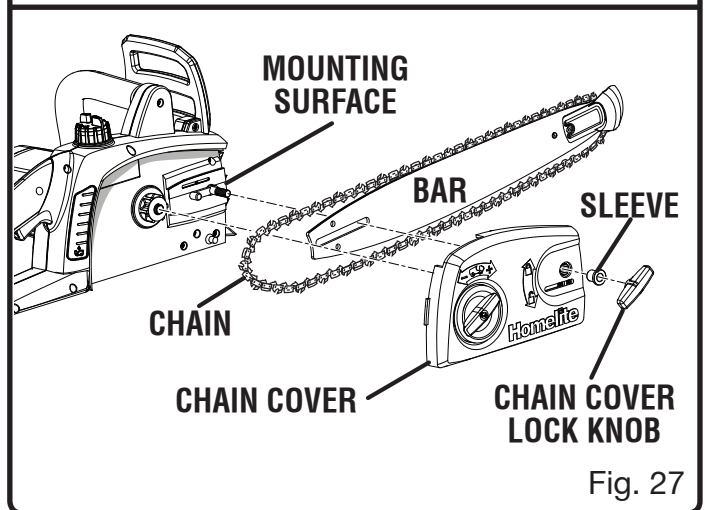
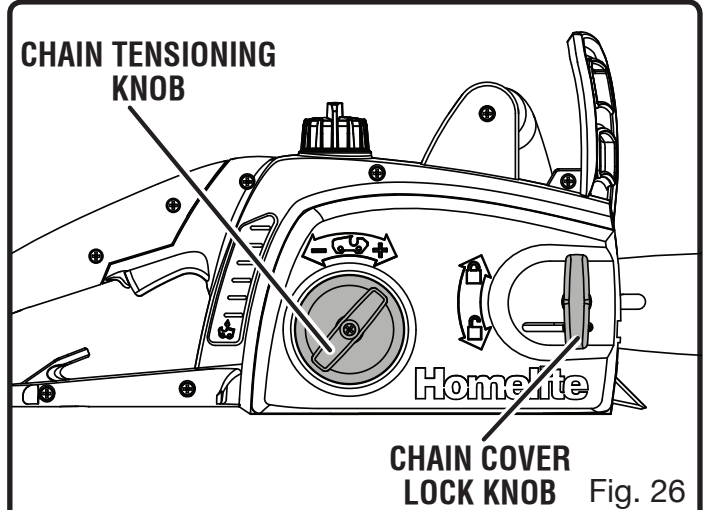
All of the bearings in this product are lubricated with a sufficient amount of high grade lubricant for the life of the unit under normal operating conditions. Therefore, no further lubrication is required.

REPLACING THE GUIDE BAR AND CHAIN

See Figures 26 - 33.

⚠ DANGER:

Never start the motor before installing the guide bar, chain, chain cover, and chain cover lock knob. Without all these parts in place, the clutch can fly off or explode, exposing the user to possible serious injury.



⚠ WARNING:

To avoid serious personal injury, read and understand all the safety instructions in this section.

⚠ WARNING:

Before performing any maintenance, make sure the tool is unplugged from the power supply. Failure to comply could result in accidental starting and possible serious personal injury.

⚠ CAUTION:

Always wear gloves when handling the bar and chain; these components are sharp and may contain burrs.

MAINTENANCE

⚠ WARNING:

Never touch or adjust the chain while the motor is running. The saw chain is very sharp; always wear protective gloves when performing maintenance to the chain to avoid possible serious lacerations.

NOTE: When replacing the guide bar and chain, always use the specified bar and chain listed in the **Bar and Chain Combinations** section later in this manual.

- Disconnect chain saw from power supply.
- Rotate the chain cover lock knob counterclockwise and remove knob and sleeve.
- Remove the chain cover.
- Remove the bar and chain from the mounting surface.
- Remove the old chain from the bar.

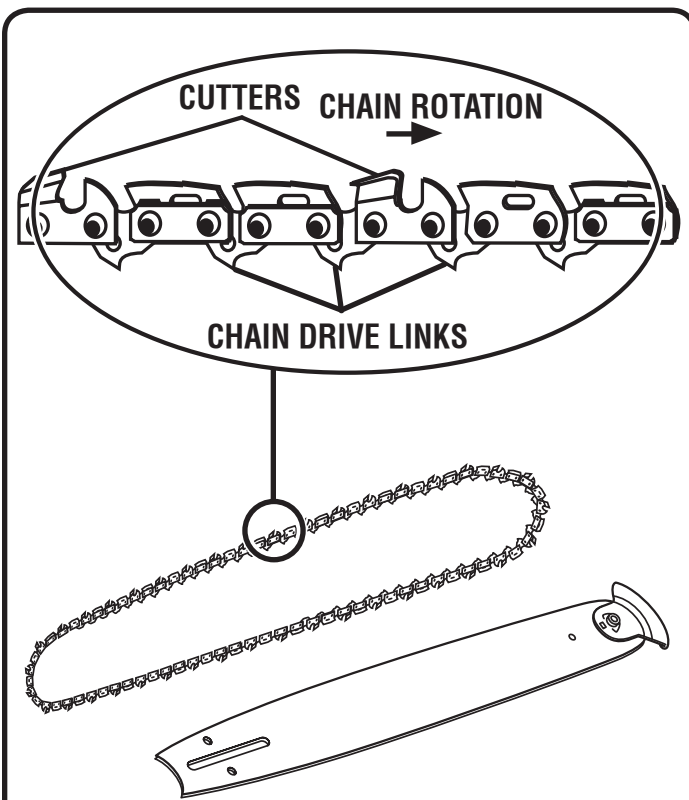


Fig. 28

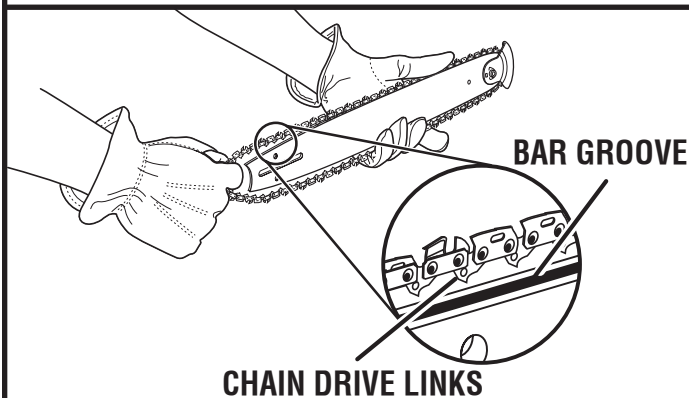


Fig. 29

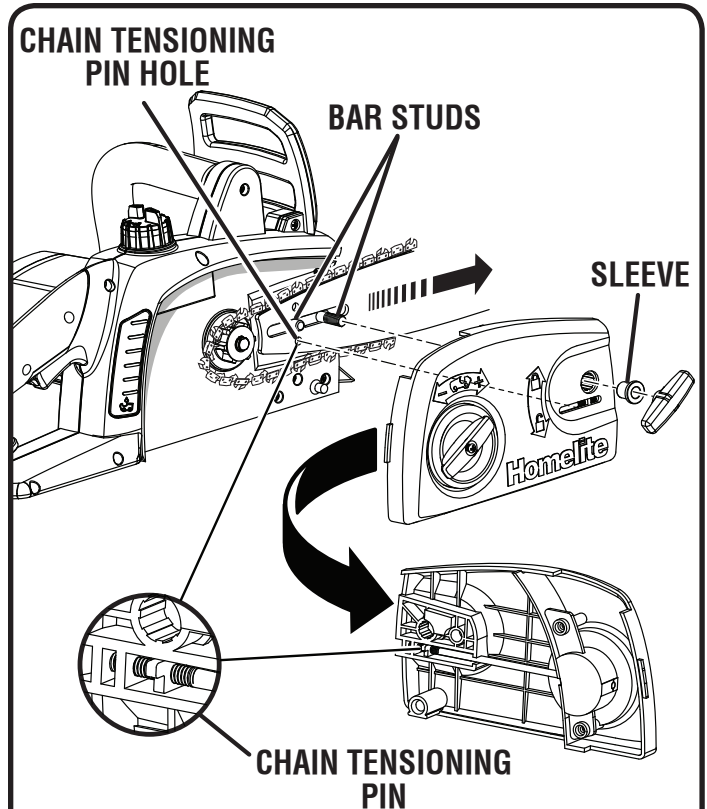


Fig. 30

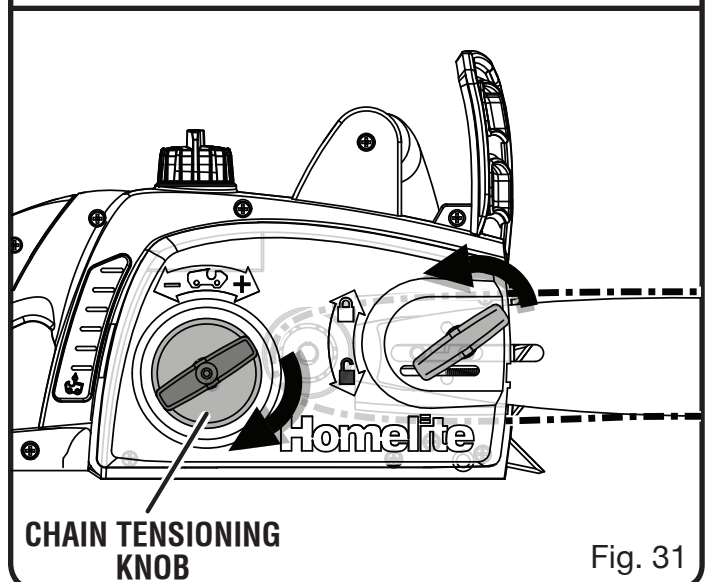


Fig. 31

MAINTENANCE

- Lay out the new saw chain in a loop and straighten any kinks. The cutters should face in the direction of chain rotation. If they face backwards, turn the loop over.
- Place the chain drive links into the bar groove as shown.

NOTE: Make certain of direction of chain.

- Position the chain so there is a loop at the back of the bar.
- Hold the chain in position on the bar and place the loop around the sprocket.
- Fit the bar flush against the mounting surface so that the bar studs are in the long slot of the bar.

NOTE: When placing the bar on the bar studs, ensure that the adjusting pin is in the chain tension pin hole.

- Replace the chain cover.
- Replace the sleeve and chain cover lock knob; rotate knob clockwise to tighten. The bar should still be free to move for tension adjustment.
- Remove all slack from the chain by turning the chain tensioning knob clockwise until the chain seats snugly against the bar with the drive links in the bar groove.
- Lift the tip of the guide bar up to check for sag.
- Release the tip of the guide bar and turn the chain tensioning knob 1/2 turn clockwise. Repeat this process until sag does not exist.
- Hold the tip of the guide bar up and tighten the chain cover lock knob.

The chain is correctly tensioned when there is no sag on the underside of the guide bar, the chain is snug, but it can be turned by hand without binding.

NOTE: If chain is too tight, it will not rotate. Loosen the chain cover lock knob slightly and turn the chain tensioning knob 1/4 turn counterclockwise. Lift the tip of the guide bar up and retighten the chain cover lock knob. Ensure that the chain will rotate without binding.

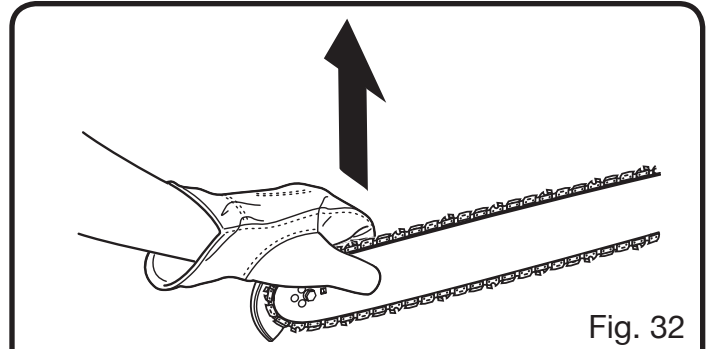


Fig. 32

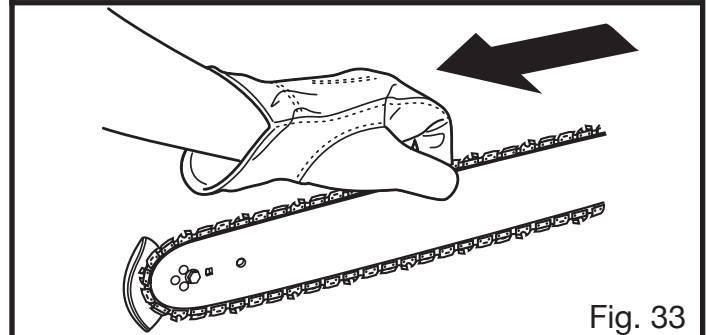
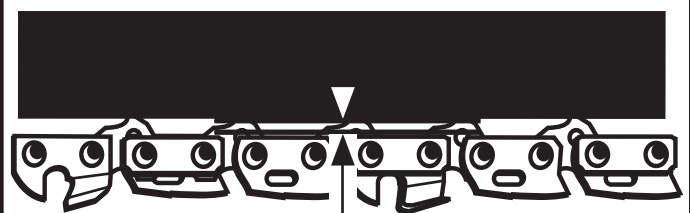


Fig. 33

FLATS ON DRIVE LINKS



Fig. 34



≈ .050 in.

Fig. 35

ADJUSTING THE CHAIN TENSION

See Figures 34 - 35.

⚠ WARNING:

Never touch or adjust the chain while the motor is running. The saw chain is very sharp. Always wear protective gloves when performing maintenance on the chain.

- Stop the motor and disconnect from power supply before setting the chain tension.

MAINTENANCE

- Slightly loosen the chain cover lock knob.
- Turn the chain tensioning knob clockwise to tension the chain.

NOTE: A cold chain is correctly tensioned when there is no slack on the underside of the guide bar, the chain is snug, and it can be turned by hand without binding.

- Rotate the chain cover lock knob clockwise to secure.

Retension the chain whenever the flats on the drive links hang out of the bar groove.

NOTE: During normal saw operation, the temperature of the chain increases. The drive links of a correctly tensioned warm chain will hang approximately .050 in. out of the bar groove.

NOTE: New chains tend to stretch; check the chain tension frequently and tension as required.

⚠ CAUTION:

A chain tensioned while warm may be too tight upon cooling. Check the “cold tension” before next use.

CHAIN MAINTENANCE

See Figures 36 - 37.

⚠ CAUTION:

Make sure the chain saw is disconnected from the power supply before you work on the saw.

Use only a low-kickback chain on this saw. This fast-cutting chain provides kickback reduction when properly maintained.

For smooth and fast cutting, maintain the chain properly.

The chain requires sharpening when the wood chips are small and powdery, the chain must be forced through the wood during cutting, or the chain cuts to one side. During maintenance of the chain, consider the following:

RAKER (DEPTH GAUGE) CLEARANCE



Fig. 36

INSPECT DRIVE SPROCKET

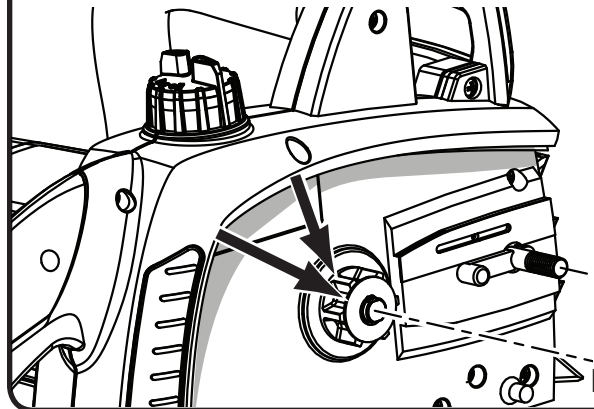


Fig. 37

- Improper filing angle of the side plate can increase the risk of severe kickback.
- Raker (depth gauge) clearance.
 - Too low increases the potential for kickback.
 - Not low enough decreases cutting ability.
- If the cutter teeth hit hard objects such as nails and stones, or are abraded by mud or sand on the wood, have an authorized service center sharpen the chain.

NOTE: Inspect the drive sprocket for wear or damage when replacing the chain. If signs of wear or damage are present in the areas indicated, have the drive sprocket replaced by an authorized service center.

NOTE: If you do not fully understand the correct procedure for sharpening the chain after reading the instructions that follow, have the saw chain sharpened by an authorized service center or replace with a recommended low-kickback chain.

MAINTENANCE

SHARPENING THE CUTTERS

See Figures 38 - 41.

Be careful to file all cutters to the specified angles and to the same length, as fast cutting can only be obtained when all cutters are uniform.

⚠ CAUTION:

Make sure the chain saw is disconnected from the power supply before you work on the saw.

⚠ WARNING:

The saw chain is very sharp. Always wear protective gloves when performing maintenance to the chain to prevent serious personal injury.

- Tension the chain prior to sharpening. Refer to **Adjusting The Chain Tension**.
- Use a 5/32 in. diameter round file and holder. Do all of your filing at the midpoint of the bar.
- Keep the file level with the top plate of the tooth. Do not let the file dip or rock.
- Using light but firm pressure. Stroke towards the front corner of the tooth.
- Lift the file away from the steel on each return stroke.
- Put a few firm strokes on every tooth. File all left hand cutters in one direction. Then move to the other side and file the right hand cutters in the opposite direction.
- Remove filings from the file with a wire brush.

CAUTION:

A dull or improperly sharpened chain can cause excessive motor speed during cutting, which may result in severe motor damage.

⚠ WARNING:

Improper chain sharpening increases the potential of kickback.

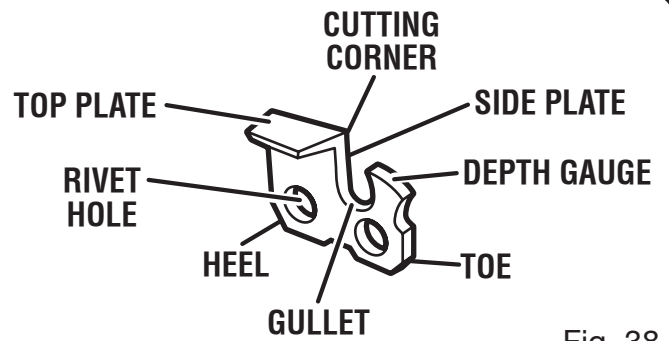


Fig. 38

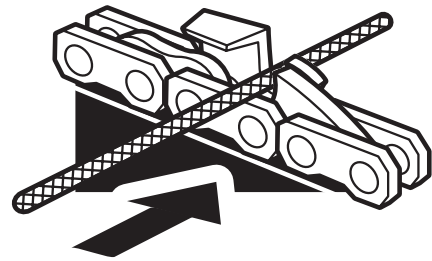


Fig. 39

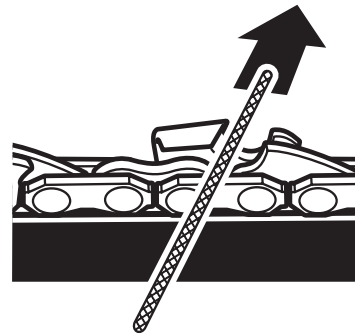


Fig. 40

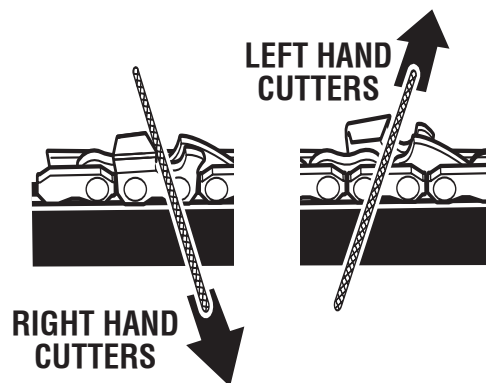


Fig. 41

⚠ WARNING:

Failure to replace or repair a damaged chain can cause serious injury.

MAINTENANCE

TOP PLATE FILING ANGLE

See Figure 42

- **CORRECT 30°** – file holders are marked with guide marks to align file properly to produce correct top plate angle.
- **LESS THAN 30°** – for cross cutting.
- **MORE THAN 30°** – feathered edge dulls quickly.

SIDE PLATE ANGLE

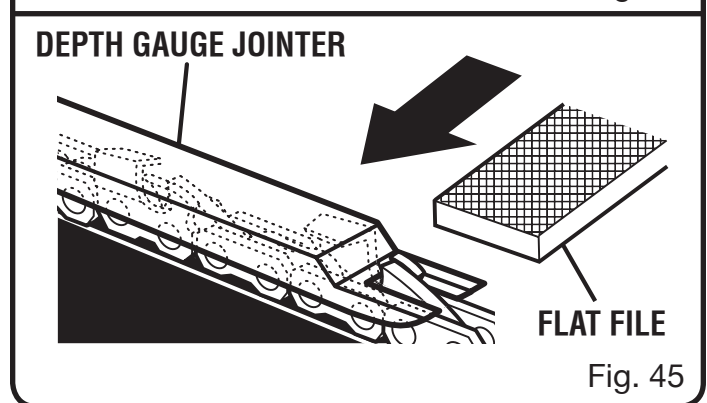
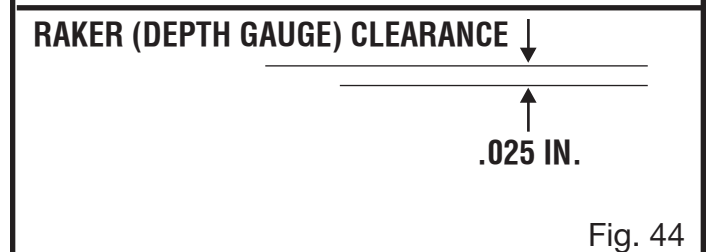
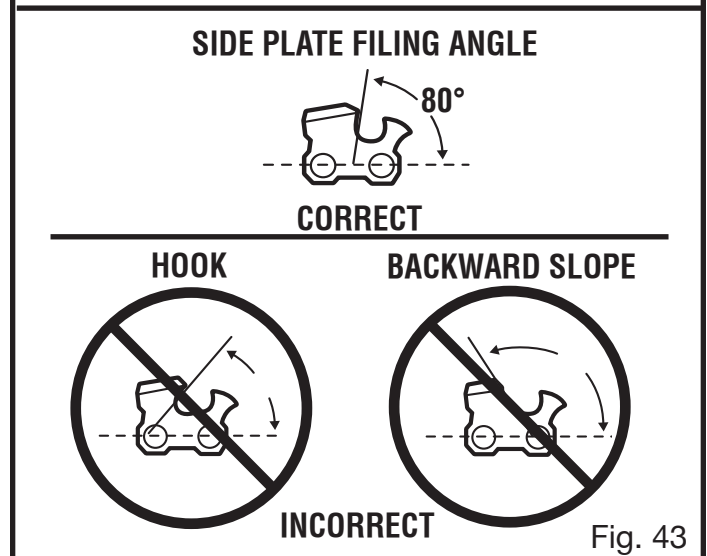
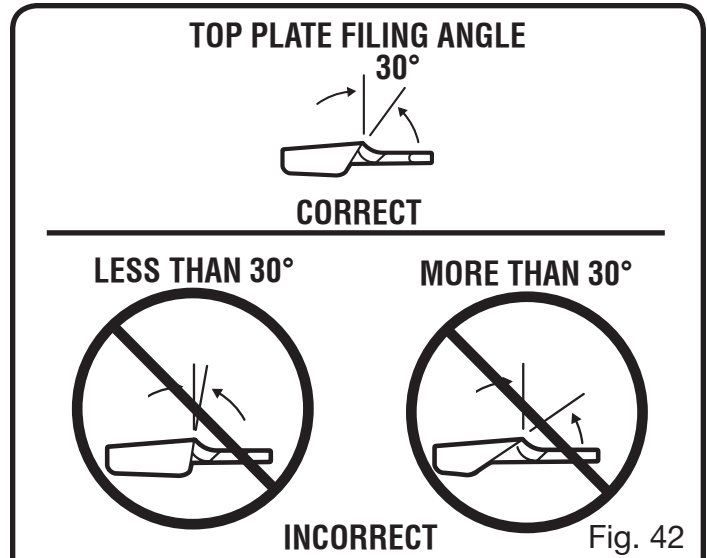
See Figure 43.

- **CORRECT 80°** – Produced automatically if you use the correct diameter file in the file holder.
- **HOO** – “Grabs” and dulls quickly; increases the potential of KICKBACK. Results from using a file with a diameter too small or a file held too low.
- **BACKWARD SLOPE** – Needs too much feed pressure; causes excessive wear to the bar and chain. Results from using a file with a diameter too large or file held too high.

MAINTAINING DEPTH GAUGE CLEARANCE

See Figure 44 - 46.

- Maintain the depth gauge at a clearance of .025 in. Use a depth gauge tool for checking the depth gauge clearances.
- Every time the chain is filed, check the depth gauge clearance.
- Use a flat file and a depth gauge jointer to lower all gauges uniformly. Use a .025 in. depth gauge jointer. After lowering each depth gauge, restore original shape by rounding the front. Be careful not to damage adjoining drive links with the edge of the file.
- Depth gauges must be adjusted with the flat file in the same direction the adjoining cutter was filed with the round file. Use care not to contact cutter face with flat file when adjusting depth gauges.



MAINTENANCE

MAINTAINING THE GUIDE BAR

See Figure 47.

⚠ CAUTION:

Make sure the chain has stopped before you do any work on the saw.

Every week of use, reverse the guide bar on the saw to distribute the wear for maximum bar life. The bar should be cleaned every day of use and checked for wear and damage.

Feathering or burring of the bar rails is a normal process of bar wear. Such faults should be smoothed with a file as soon as they occur.

A bar with any of the following faults should be replaced:

- Wear inside the bar rails that permits the chain to lay over sideways
- Bent guide bar
- Cracked or broken rails
- Spread rails

Lubricate guide bars weekly with a sprocket at their tip. Using a grease syringe, lubricate weekly in the lubricating hole. Turn the guide bar and check that the lubrication holes and chain groove are free from impurities.

MOUNTING THE SAFE-T-TIP NOSE GUARD

See Figures 48 - 49.

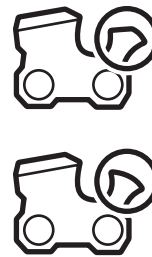
- Disconnect chain saw from power supply.
- Mount the SAFE-T-TIP on the bar nose.
- Fit the locking rivet or tab in the recessed hole in the guide bar.
- Tighten the screw with wrench until snug.
- From the snug position, tighten the screw an additional 3/4 of a turn using a wrench.

MAINTAINING THE SAFE-T-TIP NOSE GUARD

See Figures 47 - 48.

⚠ CAUTION:

Make sure the chain saw is disconnected from the power supply before you do any work on the saw.



RESTORE ORIGINAL SHAPE BY ROUNDING THE FRONT

Fig. 46

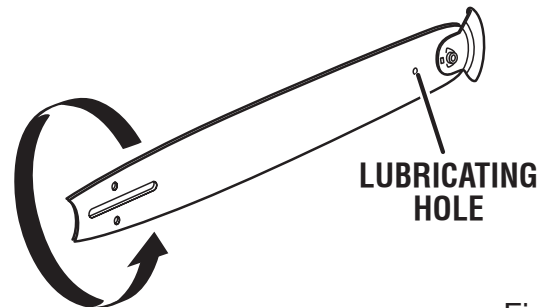


Fig. 47

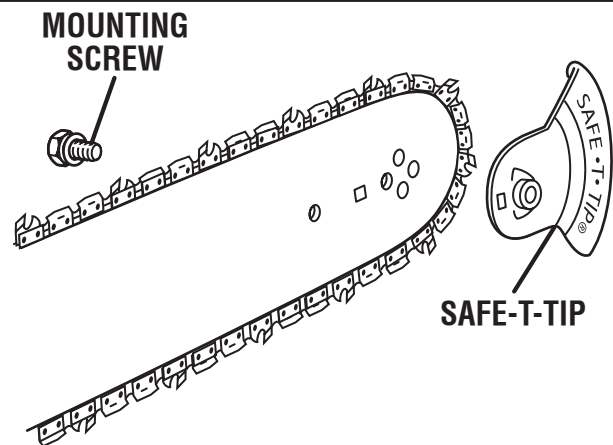


Fig. 48

⚠ WARNING:

Although the guide bar comes with a SAFE-T-TIP antikickback device already installed, check the tightness of the mounting screw before each use.

Use the following instructions to tighten the mounting screw of the nose guard. These are specially hardened screws. If you cannot install the screw tightly, replace both the screw and the SAFE-T-TIP before further operation.

NOTE: Do not replace the screw with an ordinary screw. Use only identical replacement parts from the manufacturer when replacing parts.

MAINTENANCE

In addition to preventing chain contact with solid objects at the nose of the bar, the SAFE-T-TIP also helps keep the chain away from abrasive surfaces, such as the ground. Keep it on the right hand side of the bar where it will be between the chain and the ground during flush with ground cutting.

The mounting screw requires a 5/16 in. wrench (or adjustable wrench) to achieve the recommended torque of 35 to 45 in.lb. A torque within this range can be achieved by using the following method.

- Tighten the screw with wrench until snug.
- From the snug position, tighten the screw an additional 3/4 of a turn using a wrench.

STORING THE PRODUCT

See Figure 50.

- Clean all foreign material from the product. Store it in a well-ventilated place that is inaccessible to children. Keep away from corrosive agents such as garden chemicals and de-icing salts.
- **Model UT43120 only:** Always place the scabbard on the bar and chain before storing or transporting the chain saw. Use caution to avoid the sharp teeth of the chain.
- **Model UT43120 only:** Place chain saw in the storage bag as shown before storing or transporting.

TIGHTEN
3/4 OF A
TURN

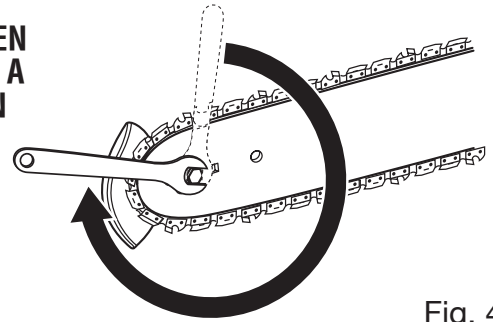


Fig. 49

MODEL UT43120 ONLY

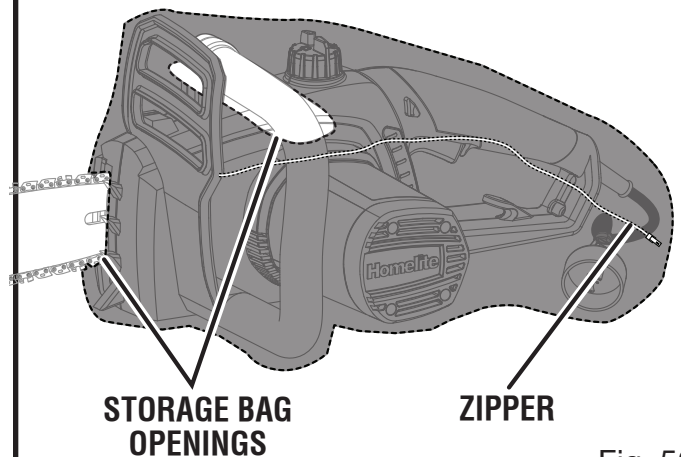


Fig. 50

BAR AND CHAIN COMBINATIONS

Chain specifications: .375 in. pitch, low profile skip tooth, .050 in. chain gauge

Length of Bar	Guide Bar Part Number	Chain Part Number	Drive Links
14 in.	310625001	901212001	52
16 in.	310626001	901212002	56

TROUBLESHOOTING

Problem	Possible Cause	Solution
Bar and chain running hot and smoking.	Check chain tension for over tight condition Chain oil tank empty.	Tension chain. Refer to Adjusting Chain Tension earlier in this manual. Check oil tank.
Motor runs, but chain is not rotating.	Chain tension too tight. Check guide bar and chain assembly. Check guide bar and chain for damage.	Retension chain, Refer to Adjusting Chain Tension earlier in this manual. Refer to Replacing Bar and Chain earlier in this manual. Inspect guide bar and chain for damage.
Motor runs, chain rotates but does not cut.	Dull chain. Chain on backwards.	Sharpen chain. Reverse direction of chain.
Chain tensioning dial is difficult to turn.	Tip of guide bar is not raised. Clutch cover lock knob is too tight.	Raise tip of guide bar while rotating tension adjustment dial. Press in the clutch cover lock knob and rotate counterclockwise to slightly loosen the clutch cover before attempting to adjust chain tension.



CALL US FIRST

For any questions about operating or maintaining your product, call the Homelite® Help Line!

Your product has been fully tested prior to shipment to ensure your complete satisfaction.

WARRANTY

LIMITED WARRANTY STATEMENT

Homelite Consumer Products, Inc., (“Homelite”) warrants to the original retail purchaser that this HOMELITE brand outdoor product is free from defect in material and workmanship and agrees to repair or replace, at Homelite’s, discretion, any defective product free of charge within these time periods from the date of purchase.

- Two years for all models if used for personal, family, or household use;
- 90 days for any unit used for other purposes, such as rental or commercial.

This warranty extends to the original retail purchaser only and commences on the date of the original retail purchase.

Any part of the this product manufactured or supplied by Homelite and found in the reasonable judgment of Homelite to be defective in material or workmanship will be repaired or replaced without charge for parts and labor by a Homelite authorized service center.

The product, including any defective part, must be returned to an authorized service dealer within the warranty period. The expense of delivering the product to the dealer for warranty work and the expense of returning it back to the owner after repair or replacement will be paid by the owner. Homelite’s responsibility in respect to claims is limited to making the required repairs or replacements and no claim of breach of warranty shall be cause for cancellation or rescission of the contract of sale of any HOMELITE brand product. Proof of purchase will be required by the dealer to substantiate any warranty claim. All warranty work must be performed by a Homelite authorized service center.

This warranty is limited to ninety (90) days from the date of original retail purchase for any HOMELITE brand product that is used for rental or commercial purposes, or any other income-producing purpose.

This warranty does not cover any HOMELITE brand product that has been subject to misuse, neglect, negligence, or accident, or that has been operated in any way contrary to the operating instructions as specified in this operator’s manual. This warranty does not apply to any damage to the product that is the result of improper maintenance or to any product that has been altered or modified. The warranty does not extend to repairs made necessary by normal wear or by the use of parts or accessories which are either incompatible with the HOMELITE brand product or adversely affect its operation, performance, or durability. In addition, this warranty does not cover:

A. Tune-ups – Spark Plugs, Carburetor, Carburetor Adjustments, Ignition, Filters

B. Wear items – Bump Knobs, Outer Spools, Cutting Lines, Inner Reels, Starter Pulleys, Starter Ropes, Drive Belts, Tines, Felt Washers, Hitch Pins, Mulching Blades, Blower Fans, Blower and Vacuum Tubes, Vacuum Bags and Straps, Guide Bars, Saw Chains

Homelite reserves the right to change or improve the design of any HOMELITE brand product without assuming any obligation to modify any product previously manufactured.

ALL IMPLIED WARRANTIES ARE LIMITED IN DURATION TO THE STATED WARRANTY PERIOD. ACCORDINGLY, ANY SUCH IMPLIED WARRANTIES INCLUDING MERCHANTABILITY, FITNESS FOR A PARTICULAR PURPOSE, OR OTHERWISE, ARE DISCLAIMED IN THEIR ENTIRETY AFTER THE EXPIRATION OF THE APPROPRIATE TWO-YEAR, ONE-YEAR, OR NINETY-DAY WARRANTY PERIOD. HOMELITE’S OBLIGATION UNDER THIS WARRANTY IS STRICTLY AND EXCLUSIVELY LIMITED TO THE REPAIR OR REPLACEMENT OF DEFECTIVE PARTS AND HOMELITE DOES NOT ASSUME OR AUTHORIZE ANYONE TO ASSUME FOR THEM ANY OTHER OBLIGATION. SOME STATES DO NOT ALLOW LIMITATIONS ON HOW LONG AN IMPLIED WARRANTY LASTS, SO THE ABOVE LIMITATION MAY NOT APPLY TO YOU. HOMELITE ASSUMES NO RESPONSIBILITY FOR INCIDENTAL, CONSEQUENTIAL, OR OTHER DAMAGES INCLUDING, BUT NOT LIMITED TO, EXPENSE OF RETURNING THE PRODUCT TO AN AUTHORIZED HOMELITE SERVICE CENTER AND EXPENSE OF DELIVERING IT BACK TO THE OWNER, MECHANIC’S TRAVEL TIME, TELEPHONE OR TELEGRAM CHARGES, RENTAL OF A LIKE PRODUCT DURING THE TIME WARRANTY SERVICE IS BEING PERFORMED, TRAVEL, LOSS OR DAMAGE TO PERSONAL PROPERTY, LOSS OF REVENUE, LOSS OF USE OF THE PRODUCT, LOSS OF TIME, OR INCONVENIENCE. SOME STATES DO NOT ALLOW THE EXCLUSION OR LIMITATION OF INCIDENTAL OR CONSEQUENTIAL DAMAGES, SO THE ABOVE LIMITATION OR EXCLUSION MAY NOT APPLY TO YOU.

This warranty gives you specific legal rights, and you may also have other rights which vary from state to state.

This warranty applies to all HOMELITE brand products manufactured by or for Homelite and sold in the United States and Canada.

To locate your nearest Homelite authorized service center, dial 1-800-242-4672 or log on to our website at www.homelite.com.

RÈGLES DE SÉCURITÉ GÉNÉRALES

AVERTISSEMENT :

Ne pas essayer d'utiliser cet outil avant d'avoir lu entièrement et bien compris toutes les instructions, règles de sécurité, etc., contenues dans ce manuel. Le non respect de ces informations peut entraîner un accident tel qu'un incendie ou un choc électrique entraînant des blessures graves.

LIRE TOUTES LES INSTRUCTIONS

PRÉCAUTIONS ÉLÉMENTAIRES

- Ne pas commencer à couper avant d'avoir déblayé la zone de travail, d'être bien campé et d'avoir prévu une trajectoire pour échapper à l'arbre en train de s'abattre. Les endroits encombrés sont propices aux accidents.
- Tenir TOUS les autres travailleurs, enfants, badauds et animaux domestiques à distance sécuritaire de la zone de travail.
- Ne pas utiliser de scie à chaîne dans des atmosphères explosives, par exemple en présence de liquides, gaz ou poussières inflammables. Les outils électriques produisent des étincelles risquant d'enflammer les poussières ou vapeurs.
- **AVERTISSEMENT :** Utilisez les cordons prolongateurs pour extérieur marqués SW-A, SOW-A, STW-A, STOW-A, SJW-A, SJTW-A, ou SJTOW-A. Ces cordons prolongateurs sont homologués pour l'utilisation à l'extérieur et réduisent le risque de choc électrique.
- Fiches polarisées. Pour réduire les risques de choc électrique, cet outil est équipé d'une fiche polarisée (une broche est plus large que l'autre). Cette fiche ne peut être branchée sur une prise polarisée que dans un sens. Si la fiche ne peut pas être insérée dans la prise, l'inverser. Si elle ne peut toujours pas être insérée, faire installer une prise adéquate par un électricien qualifié. Ne pas modifier la fiche, de quelque façon que ce soit.
- S'assurer que le cordon prolongateur est en bon état. Si un cordon prolongateur est utilisé, s'assurer que sa capacité est suffisante pour supporter le courant de fonctionnement de l'outil. Un calibre de fil (A.W.G) d'au minimum 14 est recommandé pour un cordon prolongateur de 15 mètres (50 pi) maximum. L'usage d'un cordon de plus de 30 mètres (100 pi) est déconseillé. En cas de doute, utiliser un cordon du calibre immédiatement supérieur. Moins le numéro de

calibre est élevé, plus la capacité du fil est grande. Un cordon de capacité insuffisante causerait une baisse de la tension de ligne, entraînant une perte de puissance et une surchauffe.

- Inspecter régulièrement les cordons prolongateurs. S'ils sont endommagés, les faire réparer par un électricien diplômé. Toujours être conscient de l'emplacement du cordon. Le respect de cette règle réduira les risques de choc électrique et d'incendie.
- Porter des vêtements bien ajustés. Toujours porter une combinaison, des jeans, des manches longs, des jambières en tissu résistant ou dotés de pièces résistantes aux coupures. Porter des chaussures de sécurité antidérapantes. Porter des gants épais pour assurer une bonne prise et protéger les mains. Ne pas porter de bijoux, shorts, sandales et ne pas travailler pieds nus. Ne pas porter des vêtements amples qui pourraient être happés dans le moteur ou se prendre dans la chaîne ou les broussailles. Attacher les cheveux longs pour les maintenir au-dessus des épaules.
- Le port d'un vêtement de protection lourd peut accroître la fatigue chez l'utilisateur et lui occasionner un coup de chaleur. Par temps chaud et humide, les travaux exigeants devraient être planifiés en début de matinée ou à la fin de la journée, lorsque le temps est plus frais.
- Porter une protection oculaire avec écrans latéraux certifiée conforme à la norme ANSI Z87.1, ainsi qu'une protection casque lors de l'utilisation de cet outil.
- Toujours se concentrer sur le travail lors de l'utilisation de cette scie à chaîne. Faire preuve de bon sens. Ne pas utiliser cette scie en état de fatigue, si l'on est souffrant ou sous l'influence de l'alcool, de drogues ou de médicaments.
- Ne pas exposer la scie à chaîne à la pluie.
- Ne pas utiliser la scie dans des endroits humides ou mouillés.
- Toujours être conscient de l'emplacement du cordon prolongateur lors de l'utilisation de cette scie à chaîne. Prendre soin de ne pas trébucher sur le cordon. Maintenir le cordon en permanence à l'écart de la chaîne et de l'opérateur. Ne jamais utiliser le cordon d'alimentation pour transporter l'outil et ne jamais débrancher ce dernier en tirant sur le cordon. Garder le cordon à l'écart de l'huile et des objets tranchants.
- Rester vigilant et être attentif au travail. Utiliser l'outil avec bon sens.

RÈGLES DE SÉCURITÉ GÉNÉRALES

- Garder toutes les parties du corps à l'écart de la scie à chaîne lorsque le moteur tourne.
- Toujours transporter la scie par la poignée avant, outil débranché, chaîne et guide dirigés vers l'arrière. Lors du transport de la scie, utiliser le fourreau de guide approprié.
- Ne jamais laisser quiconque n'ayant pas reçu des instructions d'utilisation appropriées utiliser la scie. Cette règle s'applique aux scies de location aussi bien qu'à celles appartenant à des particuliers.
- Avant de lancer le moteur, s'assurer que la chaîne n'est en contact avec aucun objet.
- Arrêter le moteur avant de poser la scie.
- Pour éviter un démarrage accidenter, ne jamais transporter l'outil avec le doigt sur la gâchette.
- Entretenir soigneusement l'outil. Garder l'outil bien affûté et propre, pour obtenir des performances optimales et réduire les risques d'accident. Suivre les instructions de lubrification et de changement d'accessoires.
- Garder les poignées sèches, propres et exemptes d'huile ou de graisse.
- Ne pas tenir la scie d'une seule main ! La tenir fermement, les doigts et pouces encerclant les poignées. Ceci exposerait l'utilisateur, les autres travailleurs et toutes les personnes présentes à des risques de blessure grave. Les scies à chaîne sont conçues pour être utilisées à deux mains.
- Éviter tout contact du corps avec des surfaces mises à la terre, telles que tuyaux métalliques et palissades grillagées. Le risque de choc électrique est accru lorsque le corps est mis à la terre.
- Ne jamais utiliser une scie à chaîne endommagée, incorrectement réglée ou pas complètement et solidement assemblée. La chaîne doit ralentir jusqu'à l'arrêt lorsque la gâchette est relâchée. Si la chaîne continue de tourner une fois la gâchette relâchée, faire réparer la scie au centre de réparations Homelite le plus proche.
- Vérifier l'état des pièces. Vérifier l'alignement des pièces mobiles, s'assurer qu'aucune pièce n'est bloquée ou cassée, vérifier la fixation de chaque pièce et s'assurer qu'aucun autre problème ne risque d'affecter le bon fonctionnement de l'outil.
- Tous les entretiens et dépannages, autres que ceux décrits dans le manuel d'utilisation doivent être confiés au centre de réparation Homelite le plus proche.
- Toujours se tenir bien campé.
- Ne pas utiliser l'outil si le commutateur ne permet pas de le mettre en marche et de l'arrêter. Faire remplacer les commutateurs défectueux dans un centre de réparations agréé.
- Ne pas adapter le bloc-moteur à un guide à archet, ni l'utiliser pour entraîner des accessoires non spécifiés pour la scie.
- Débrancher la scie à chaîne de la source de courant lorsqu'elle n'est pas utilisée, avant son entretien et lors de réglages et du changement d'accessoires, tels que la garde et la chaîne de la scie.
- Ne pas couper de lianes ou de petites broussailles.
- Ne pas travailler en se tenant dans un arbre, sur une échelle ou un échaffaudage, ce qui est extrêmement dangereux.
NOTE : La taille de la zone de travail dépend du type de sciage effectué ainsi que de la taille de l'arbre ou de la pièce à débiter. Par exemple, l'abattage d'un arbre exige une zone de travail plus grande que le tronçonnage de branches.
- Faire preuve de la plus extrême prudence lors de la coupe de buissons et branchettes, car les tiges fines peuvent se prendre dans la chaîne et fouetter l'utilisateur ou le déséquilibrer.
- Lors de la coupe d'une branche sous tension, toujours rester vigilant, car elle peut se détendre à tout moment.
- Ne pas forcer la scie. Un outil exécutera le travail mieux et de façon moins dangereuse s'il fonctionne dans les limites prévues.
- Toujours utiliser l'outil adéquat pour le travail. La scie à chaîne ne doit être utilisée que pour couper du bois. Ne jamais l'utiliser pour couper du plastique, du béton ou des matériaux autres que le bois.
- Ne pas utiliser la scie dans des applications pour lesquelles elle n'est pas conçue.
- Remiser la scie à chaîne lorsqu'elle n'est pas en usage. La remiser dans un endroit sec, en hauteur ou sous clé, hors de la portée des enfants. Avant de remiser la chaîne, installer le fourreau sur le guide et la chaîne ou placer la scie dans un étui de transport.

RÈGLES DE SÉCURITÉ GÉNÉRALES

■ **Conserver ces instructions.** Les consulter fréquemment et les utiliser pour instruire les autres

utilisateurs éventuels. Si cet produit est prêté, il doit être accompagné de ces instructions.

⚠ AVERTISSEMENT :

La poussière dégagée lors du ponçage, sciage, meulage, perçage de certains matériaux et lors d'autres opérations de construction contient des produits chimiques reconnus causer le cancer, des malformations congénitales ou des lésions de l'appareil reproducteur. Voici certains exemples de ces produits chimiques :

- le plomb contenu dans la peinture au plomb,
- la silice cristalline contenue dans les briques, le béton et d'autres produits de maçonnerie, ainsi que
- l'arsenic et le chrome présents dans le bois de construction traité par produits chimiques.

Le risque présenté par l'exposition à ces produits varie en fonction de la fréquence de ce type de travail. Pour réduire l'exposition à ces produits chimiques : Travailler dans un endroit bien aéré et utiliser des équipements de sécurité approuvés tels que masques antipoussière spécialement conçus pour filtrer les particules microscopiques.

REBOND

Voir les figures 1 et 2.

⚠ AVERTISSEMENT :

Le rebond se produit lorsque la chaîne en rotation heurte un objet dans la partie supérieure de l'extrémité du guide ou lorsque l'entaille du bois se referme et pince la chaîne dans le bois. Le contact de la partie supérieure de l'extrémité du guide peut faire plonger la chaîne dans le bois et la bloquer pendant un instant. Il en résulte une réaction fulgurante, projetant le guide vers le haut et l'arrière, en direction de l'utilisateur. Le pincement de la chaîne sur le haut du guide peut causer une projection violente de la lame en arrière, en direction de l'utilisateur. Ces réactions peuvent faire perdre le contrôle de la scie et entraîner des blessures graves. Ne pas compter exclusivement sur les dispositifs de sécurité intégrés à la scie. L'utilisateur doit prendre un certain nombre de précautions pour éviter les accidents et blessures.

■ **Pour minimaliser le risque de rebond, prendre les précautions suivantes :**

1. Toujours tenir la scie fermement, à deux mains. Toujours maintenir la scie fermement à deux mains lorsque le moteur tourne. Placer la main droite sur la poignée arrière et la main gauche sur la poignée avant, le pouce et les autres doigts solidement refermés sur les deux poignées. Une prise ferme, bras gauche

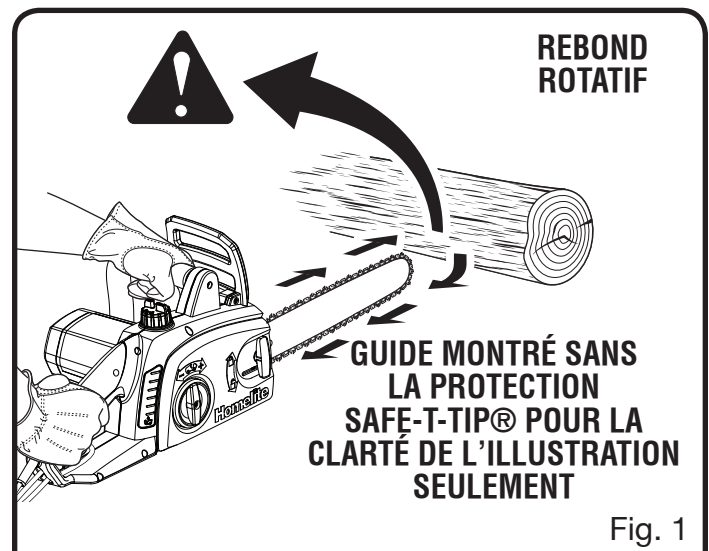


Fig. 1

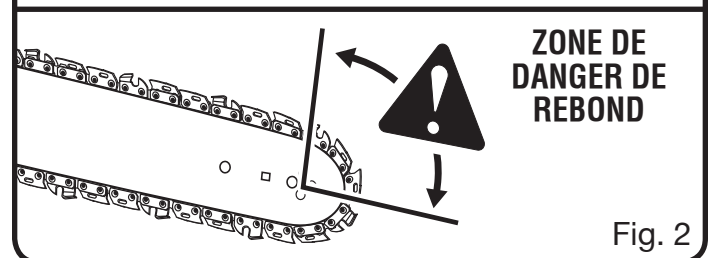


Fig. 2

tendu facilite le contrôle de la scie en cas de rebond.

2. S'assurer que l'endroit où la scie est utilisée est dépourvu de tout obstacle. Ne pas laisser l'extrémité du guide entrer en contact avec une bille, une branche, une palissade ou tout autre obstacle risquant d'être heurté pendant le sciage.

RÈGLES DE SÉCURITÉ GÉNÉRALES

3. Toujours couper avec le moteur en fonctionnement. Serrer la gâchette à fond et maintenir la vitesse de coupe.

4. Utiliser des pièces de rechange telles que chaînes à faible rebond, protection d'extrémité antirebond SAFE-T-TIP® et guides spéciaux réduisant les risques de rebond rotatif. Utiliser exclusivement les guides et chaînes à faible rebond spécifiés par le fabricant pour la scie.

- Une compréhension élémentaire du rebond peut réduire ou éliminer l'élément de surprise. Les surprises sont favorables aux accidents.
- Toujours se tenir bien campé et en équilibre.
- Ne pas travailler hors de portée ni couper au-dessus de la hauteur des épaules.
- Garder la protection de nez antirebond SAFE-T-TIP® correctement installé sur le guide-chaîne, pour éviter les rebonds rotatifs.
- Suivre les instructions d'affûtage et d'entretien fournies par le fabricant de la chaîne.
- Poussée et traction - La force de réaction s'exerce toujours dans le sens opposé à la rotation de la chaîne, au point de contact avec le bois. Par conséquent, l'opérateur doit être prêt à contrôler la TRACTION lorsque la coupe est effectuée avec le bas du guide et la POUSSÉE lorsque la coupe est effectuée avec le haut du guide. Voir la figure 3.

COMPRÉHENSION DES DISPOSITIFS DE SÉCURITÉ DE LA SCIE À CHAÎNE

Voir la figure 4.

GARDE ANTIREBOND SAFE-T-TIP®

Le dispositif SAFE-T-TIP® empêche le rebond rotatif, car il couvre l'extrémité du guide, où le rebond se produit. Ne jamais essayer d'effectuer des coupes exigeant le retrait de la garde SAFE-T-TIP®.

CHAÎNE À REBOND RÉDUIT

Les limiteurs d'épaisseur de copeaux placés en avant de chaque gouge peuvent réduire la force de réaction du rebond en empêchant les gougues de mordre trop profondément dans la zone de rebond. Utiliser exclusivement des chaînes de rechange équivalentes à celle d'origine ou certifiées « rebond réduit » selon ANSI B175.1.

Une scie à chaîne est considérée comme étant à rebond réduit/à denture évidée lorsqu'elle répond aux spécifications ANSI B175.1 de 1991 (norme nationale américaine pour les outils motorisés – Exigences de

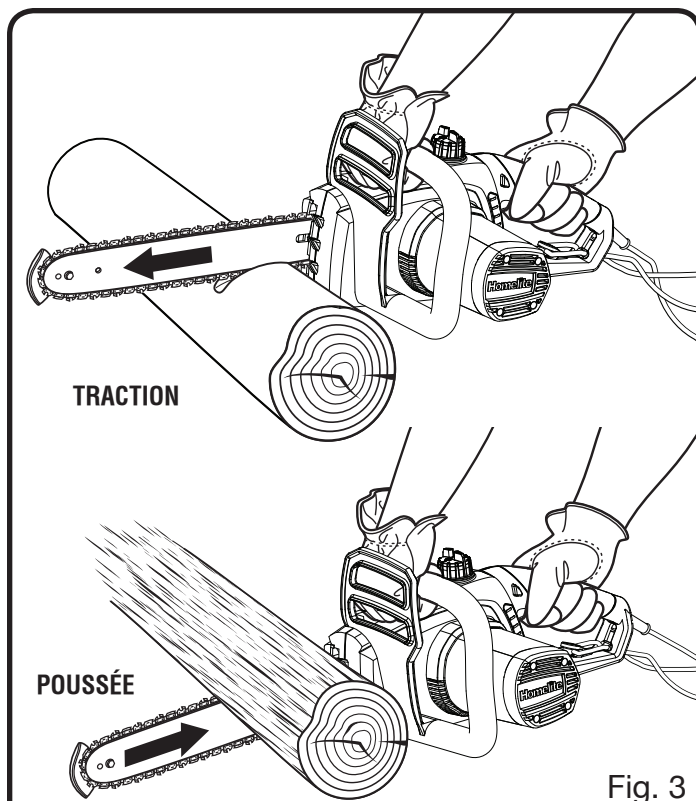


Fig. 3

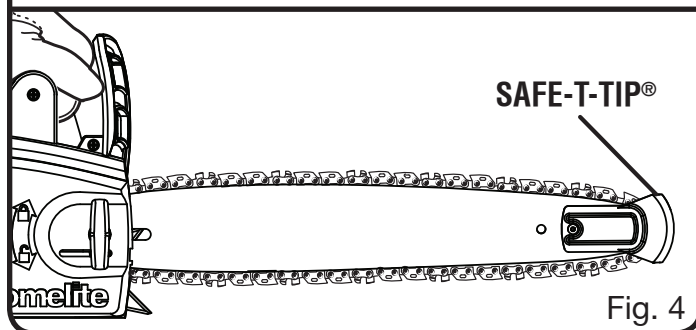


Fig. 4

sécurité pour scies à chaîne à moteur à essence). Les tests ont été effectués sur des échantillons de scies à chaîne de moins de 3,8 cc, conformément aux directives ANSI B175.1 de 1991.

À mesure qu'une chaîne est affûtée au cours de sa vie utile, elle perd une partie de ses qualités antirebond. Il convient donc de l'utiliser avec une prudence accrue.














GUIDES

En général, les guides à extrémité de faible rayon présentent une moindre tendance au rebond.

Lors du remplacement, veiller à utiliser l'un des guides Homelite indiqués pour la scie dans ce manuel d'utilisation. Une garde SAFE-T-TIP® de taille appropriée est installée sur tous les guides. N'utiliser que des guides conçus pour l'installation d'une garde SAFE-T-TIP®.




SYMBOLES

Certains des symboles ci-dessous peuvent être utilisés sur ce produit. Veiller à les étudier et à apprendre leur signification. Une interprétation correcte de ces symboles permettra d'utiliser ce produit plus efficacement et de réduire les risques.

SYMBOLE	NOM	DÉSIGNATION / EXPLICATION
	Symbole d'alerte de sécurité	Indique un risque de blessure potentiel.
	Lire le manuel d'utilisation	Pour réduire les risques de blessures, l'utilisateur doit lire et veiller à bien comprendre le manuel d'utilisation avant d'utiliser ce produit.
	Porter une protection oculaire et protection casque	Toujours porter une protection oculaire avec écrans latéraux certifiée conforme à la norme ANSI Z87.1, ainsi qu'une protection casque.
	Avertissement concernant l'humidité	Ne pas exposer l'outil à la pluie ni à l'humidité.
	Protection de nez SAFE-T-TIP	La protection de nez SAFE-T-TIP du guide-chaîne permet d'éviter le rebond.
	Tenir la scie à deux mains	Tenir la scie à deux mains et l'utiliser correctement.
	Une main	Ne pas tenir la scie d'une seule main.
	Rebond	DANGER ! Attention aux rebonds.
	Contact avec l'extrémité du guide	Éviter tout contact avec l'extrémité du guide.
	Gants	Porter des gants épais antidérapants lors de l'utilisation de la scie à chaîne.
	Chaussures de sécurité	Porter des chaussures de travail à semelle antidérapante lors de l'utilisation de l'outil.
	Ne laisser personne s'approcher	Garder les badauds et animaux domestiques à une distance de 15 m (50 pi) minimum.
V	Volts	Tension
A	Ampères	Intensité
Hz	Hertz	Fréquence (cycles par seconde)
W	Watts	Puissance
min	Minutes	Temps
~	Courant alternatif	Type de courant
==	Courant continu	Type ou caractéristique du courant
n_0	Vitesse à vide	Vitesse de rotation à vide
	Construction de classe II	Construction à double isolation
.../min	Par minute	Tours, coups, vitesse périphérique, orbites, etc., par minute

SYMBOLES

Les termes de mise en garde suivants et leur signification ont pour but d'expliquer le degré de risques associé à l'utilisation de ce produit.

SYMBOLE	SIGNAL	SIGNIFICATION
	DANGER :	Indique une situation extrêmement dangereuse qui, si elle n'est pas évitée, aura pour conséquences des blessures graves ou mortelles.
	AVERTISSEMENT :	Indique une situation potentiellement dangereuse qui, si elle n'est pas évitée, pourrait entraîner des blessures graves ou mortelles.
	ATTENTION :	Indique une situation potentiellement dangereuse qui, si elle n'est pas évitée, pourrait entraîner des blessures légères ou de gravité modérée.
	ATTENTION :	(Sans symbole s'alerte de sécurité) Indique une situation pouvant entraîner des dommages matériels.

DÉPANNAGE

Le dépannage exigeant des précautions extrêmes et la connaissance du système, il ne doit être confié qu'à un technicien de service qualifié. En ce qui concerne les réparations, nous recommandons de confier l'outil au **CENTRE DE RÉPARATIONS AGRÉÉ** le plus proche. Utiliser exclusivement des pièces identiques à celles d'origine pour les réparations.

AVERTISSEMENT :

Pour éviter des blessures graves, ne pas essayer d'utiliser ce produit avant d'avoir lu entièrement et bien compris toutes les instructions contenues dans le manuel d'utilisation. Si tous les avertissements et toutes les consignes de sécurité et instructions du manuel d'utilisation ne sont pas bien compris, ne pas utiliser ce produit. Appeler le service après-vente Homelite.

AVERTISSEMENT :



Ne pas laisser la familiarité avec ce produit faire oublier la prudence. Ne pas oublier qu'une fraction de seconde d'inattention peut entraîner des blessures graves.

CONSERVER CES INSTRUCTIONS

CARACTÉRISTIQUES ÉLECTRIQUES

ISOLATION DOUBLE

L'isolation double est un concept de sécurité des outils électriques qui élimine le besoin de cordon d'alimentation à trois fiches habituel. Toutes les pièces métalliques sont isolées des parties métalliques du moteur interne par une isolation protectrice. Des outils à double isolation n'ont pas besoin de mise à terre.

⚠ AVERTISSEMENT :

Le système à double isolation est conçu pour protéger l'utilisateur des chocs qui pourraient surgir des défauts dans l'installation électrique interne de la machine. Observez toutes les instructions de sécurité qui servent à éviter le choc électrique.

NOTE : La réparation d'un produit à isolation double exige des précautions extrêmes et la connaissance du système et elle ne doit être confiée qu'à un technicien de service qualifié. Pour les réparations, nous recommandons de confier le produit au centre de réparations agréé le plus proche. Utilisez toujours des pièces de rechange originales de fabricant pour les réparations.

CONNEXION ÉLECTRIQUE

Ce produit est équipé d'un moteur électrique de précision. Il doit être branché uniquement sur une **alimentation 60 Hz, c.a. (courant résidentiel standard), 120V**. N'utilisez pas cet outil sur une source de courant continu (c.c.). Une chute de tension importante causerait une perte de puissance et une surchauffe du moteur. Si le produit ne fonctionne pas une fois branché, vérifiez l'alimentation électrique.

CORDONS PROLONGATEURS

Voir Figure 5.

Quand vous utilisez l'outil électrique à une distance considérable de la source d'alimentation en électricité, assurez-vous d'utiliser un cordon prolongateur de capacité suffisante pour rapporter le courant que le produit soutirera. Un cordon prolongateur de calibre insuffisant causera une perte de tension et provoquera ainsi une surchauffe et une perte de puissance. Utilisez le tableau pour déterminer le calibre minimum de fil requis pour un cordon prolongateur. Utilisez exclusivement des cordons à gaine cylindrique homologués par Underwriter's Laboratories (UL).

Pour les travaux à l'extérieur, utilisez un cordon prolongateur spécialement conçu à cet effet. La gaine des cordons de ce type porte l'inscription « W-A » ou « W ».

Avant d'utiliser un cordon prolongateur, vérifiez que ses fils ne sont ni détachés ni exposés et que son isolation n'est ni coupée, ni usée.

Il est possible de se procurer une rallonge électrique appropriée dans un centre de service autorisé.

Il est possible d'attacher le cordon d'alimentation et le cordon prolongateur par un noeud pour éviter qu'ils se détachent pendant l'utilisation. Faites le noeud comme illustré dans la figure 5 et branchez la fiche du cordon d'alimentation dans la prise du cordon prolongateur. Cette méthode peut aussi être utilisée pour attacher ensemble deux cordons prolongateurs.

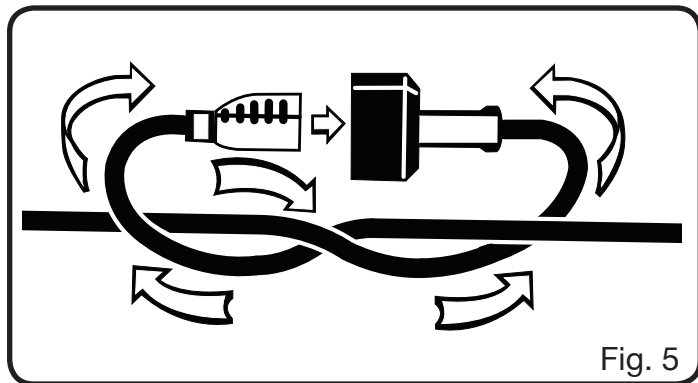


Fig. 5

**Intensité nominale (sur la plaquette signalétique du produit)

Longueur du cordon	Calibre de fil (A.W.G)					
	0-2,0	2,1-3,4	3,5-5,0	5,1-7,0	7,1-12,0	12,1-16,0
25'	16	16	16	16	14	14
50'	16	16	16	14	14	12
100'	16	16	14	12	10	—

**Utilisé sur circuit de calibre 12 – 20 A

NOTE : AWG = American Wire Gauge

⚠ AVERTISSEMENT :

Tenez le cordon prolongateur loin de la zone de travail. Placez le cordon de façon à ce qu'il ne puisse pas être pris dans les pièces de bois, des outils ou d'autres obstructions quand vous travaillez avec un outil électrique. Le non respect de cet avertissement pourrait résulter en des blessures graves.

⚠ AVERTISSEMENT :

Vérifiez les cordons prolongateurs avant chaque usage. Remplacez immédiatement les cordons endommagés. N'utilisez jamais le produit avec un cordon endommagé car le contact avec l'endroit endommagé pourrait causer un choc électrique et résulter en une blessure sérieuse.

GLOSSAIRE

Protection de nez de guide

Accessoire pouvant être monté à l'extrémité du guide pour empêcher que la chaîne ne contacte le bois à cet endroit.

Tronçonnage

Coupe transversale d'un arbre abattu ou d'une bille de bois pour le débiter en tronçons.

Bloc moteur de scie à chaîne

Scie à chaîne sans la chaîne et le guide.

Embrayage

Mécanisme pour connecter et déconnecter un élément entraîné de la source d'entraînement rotatif.

Pignon d'entraînement

Roue dentée entraînant la chaîne.

Abattage

Opération de coupe d'un arbre pour le faire tomber.

Entaille d'abattage

Entaille finale d'une opération d'abattage, pratiquée à l'opposé de l'entaille de dessous.

Garde avant de main

Barrière structurelle placée entre la poignée avant et le guide de chaîne de la scie, se trouvant généralement près de la position de la main sur la poignée avant et parfois utilisée comme levier de commande du frein de chaîne.

Poignée avant

Poignée de maintien placée à l'avant de la scie à chaîne. Cette poignée est pour la main gauche.

Guide de chaîne

Structure rigide, dotée d'un rail de support et guidage de la chaîne.

Rebond

Mouvement du guide vers le haut ou vers l'arrière se produisant lorsque la chaîne heurte un objet, tel qu'une bille de bois ou une branche, dans la partie supérieure de l'extrémité du guide, ou lorsque l'entaille se referme et pince la chaîne dans le bois.

Rebond (pincement)

Recul brutal de la scie se produisant lorsque le bois de l'entaille se referme, sur la chaîne en rotation dans la partie supérieure du guide.

Rebond (rotatif)

Mouvement brutal de la scie vers le haut et l'arrière pouvant se produire lorsque la chaîne en rotation

heurte un objet, tel qu'une bille de bois ou une branche, dans la partie supérieure de l'extrémité du guide.

Chaîne à rebond réduit

Chaîne conforme aux normes antirebond ANSI B175.1 lorsqu'elle est testée sur des échantillons représentatifs de scies à chaîne.

Position de coupe normale

Positions utilisées pour le tronçonnage et l'abattage.

Sifflet d'abattage

Entaille permettant de diriger le sens de chute de l'arbre.

Commande d'huileur

Système de lubrification du guide et de la chaîne.

Poignée arrière

Poignée de maintien placée à l'arrière de la scie. Elle comporte généralement l'accélérateur. Cette poignée est pour la main droite.

Guide de chaîne à rebond réduit

Guide ayant été prouvé réduire considérablement le rebond.

Chaîne de rechange

Chaîne conforme aux normes antirebond ANSI B175.1 lorsque testée sur certaines scies. Une telle chaîne peut ne pas répondre aux exigences de performances ANSI lorsqu'elle est utilisée sur d'autres scies.

Chaîne

Une chaîne en boucle dotée de dents pour la coupe du bois, entraînée par le moteur et supportée par le guide.

Butoir à pointes

La ou les dents pointues à utiliser lors de l'abattage ou du tronçonnage pour faire pivoter la scie et la maintenir en position pendant le travail.

Commutateur

Dispositif permettant d'ouvrir ou de fermer le circuit d'alimentation du moteur de la scie à chaîne.

Tringlerie de commutateur

Le mécanisme qui transmet le mouvement d'une gâchette au commutateur.

Verrouillage de commutateur

Butée articulée empêchant d'actionner accidentellement le commutateur.

CARACTÉRISTIQUES

SPÉCIFICATIONS

UT43100

Longueur du guide356 mm (14 po)
 Pas de la chaîne 9,5 mm (0,375 po)
 Épaisseur de la chaîne 1,27 mm (0,050 po)
 Type de chaîne Dents bas profil à saut intégral
 Pignon d'entraînement 7-tooth
 Alimentation..... 120 V, CA seulement, 60 Hz, 9 A
 Volume du réservoir de lubrifiant
 de chaîne 177 ml (6 oz)
 Poids, sans guide, chaîne ou lubrifiant 3,5 kg
 (7,8 lb)

UT43120

Longueur du guide406 mm (16 po)
 Pas de la chaîne9,5 mm (0,375 po)
 Épaisseur de la chaîne 1,27 mm (0,050 po)
 Type de chaîne Dents bas profil à saut intégral
 Pignon d'entraînement 7-tooth
 Alimentation..... 120V, CA seulement, 60 Hz, 12 A
 Volume du réservoir de lubrifiant
 de chaîne 177 ml (6 oz)
 Poids, sans guide, chaîne ou lubrifiant 3,9 kg
 (8,5 lb)

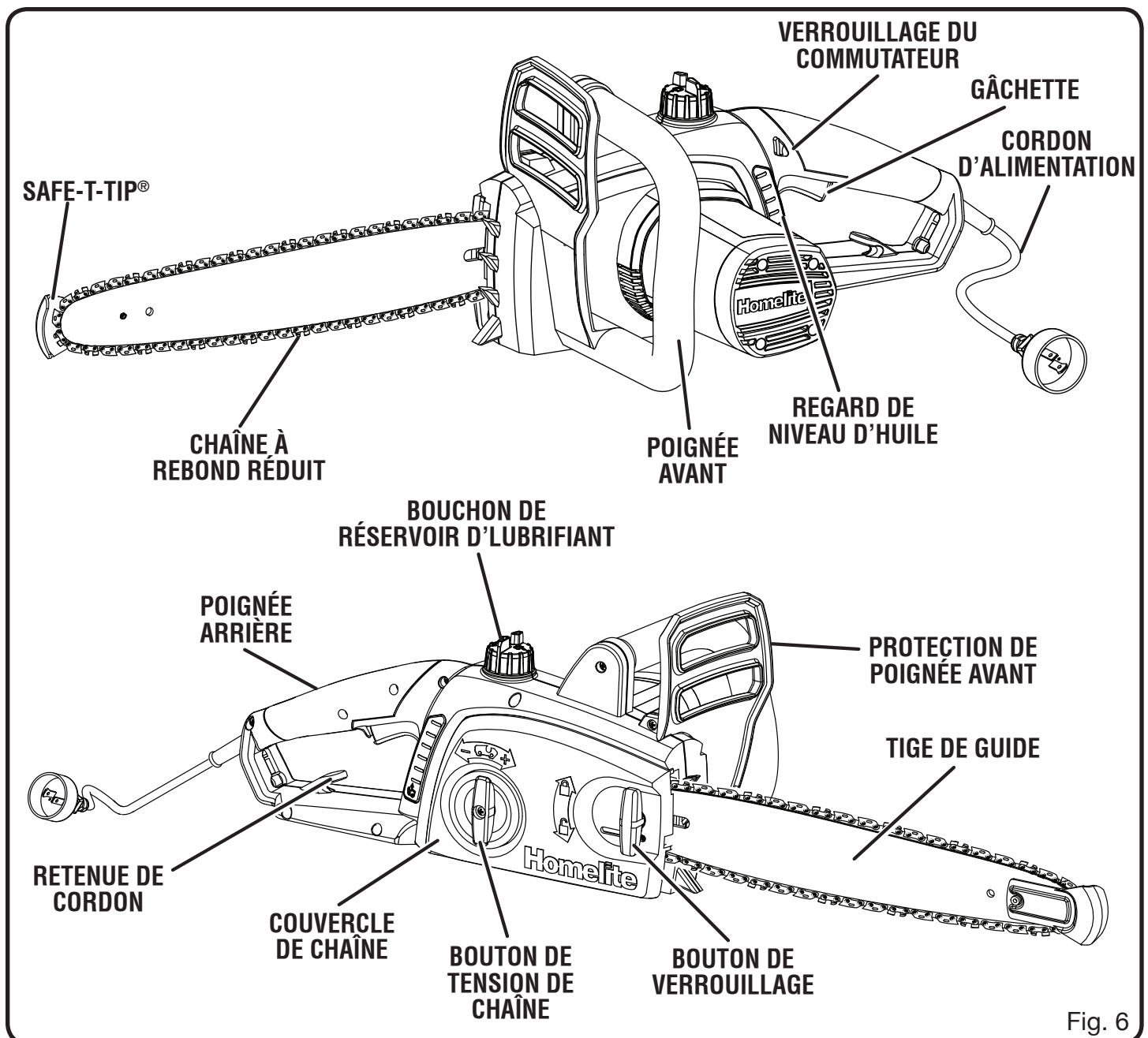


Fig. 6

CARACTÉRISTIQUES

POUR SE FAMILIARISER AVEC LA SCIE À CHAÎNE

Voir la figure 6.

L'utilisation sûre de ce produit exige une compréhension des renseignements figurant sur l'outil et contenus dans le manuel d'utilisation, ainsi qu'une bonne connaissance du projet entrepris. Avant d'utiliser ce produit, se familiariser avec toutes ses caractéristiques et règles de sécurité.

BOUTON DE TENSION DE CHAÎNE

Cette fonction permet aux utilisateurs de régler la tension de la chaîne.

GUIDE

La tête du guide installé en usine est de faible rayon, ce qui offre une moindre tendance au rebond.

CHAÎNE À REBOND RÉDUIT

La chaîne à rebond réduit aide à limiter la force de réaction du rebond en empêchant les dents de mordre trop profondément dans la zone de rebond.

REGARD DE NIVEAU D'HUILE

Réservoir d'huile semi-transparent permettant à l'utilisateur de voir à quel moment ajouter de l'huile.

PROTECTION ANTIREBOND SAFE-T-TIP®

La protection antirebond SAFE-T-TIP® est un accessoire monté sur l'extrémité du guide, empêchant que la chaîne à cet endroit touche le bois.

VERROUILLAGE DE COMMUTATEUR

Une fonction de commande permettant d'empêcher de démarrer le moteur accidentellement.

GÂCHETTE

Serrer la gâchette pour faire fonctionner l'outil une fois le verrouillage de commutateur poussé vers l'intérieur. Relâcher la gâchette pour arrêter l'outil.

ASSEMBLAGE

DÉBALLAGE

Ce produit a été expédié complètement assemblé.

- Avec précaution, sortir le produit et les accessoires de la boîte. S'assurer que toutes les pièces figurant sur la liste de contrôle sont incluses.

AVERTISSEMENT :

Ne pas utiliser le produit si, en le déballant, vous constatez que des éléments figurant dans la liste de contrôle d'expédition sont déjà assemblés. Certaines pièces figurant sur cette liste n'ont pas été assemblées par le fabricant et exigent une installation. Le fait d'utiliser un produit qui a été assemblé de façon inadéquate peut entraîner des blessures.

- Examiner soigneusement le produit pour s'assurer que rien n'a été brisé ou endommagé en cours de transport.

- Ne pas jeter les matériaux d'emballage avant d'avoir soigneusement examiné le produit et avoir vérifié qu'il fonctionne correctement.
- Si des pièces sont manquantes ou endommagées, appeler le 1-800-242-4672.

LISTE DE CONTRÔLE D'EXPÉDITION

Scie à chaîne

Fourreau (Modèle UT43120 seulement)

Sac de rangement (Modèle UT43120 seulement)

Manuel d'utilisation

AVERTISSEMENT :

Si des pièces manquent ou sont endommagées, ne pas utiliser ce produit avant qu'elles aient été remplacées. Le fait d'utiliser ce produit même s'il contient des pièces endommagées ou s'il manque des pièces peut entraîner des blessures graves.

ASSEMBLAGE

⚠ AVERTISSEMENT :

Ne pas essayer de modifier ce produit ou de créer des accessoires non recommandés pour ce produit. De telles altérations ou modifications sont considérées comme un usage abusif et peuvent créer des conditions dangereuses, risquant d'entraîner des blessures graves.

⚠ AVERTISSEMENT :

Ne pas brancher sur le secteur avant d'avoir terminé l'assemblage. Le non respect de cet avertissement peut causer un démarrage accidentel, entraînant des blessures graves.

UTILISATION

⚠ DANGER :

Ne jamais utiliser l'outil près de lignes électriques ou de sources de courant. Un contact avec des lignes électriques ou des sources de courant aura pour conséquences des blessures graves ou mortelles.

⚠ AVERTISSEMENT :

Ne pas laisser la familiarité avec ce produit faire oublier la prudence. Ne pas oublier qu'une fraction de seconde d'inattention peut entraîner des blessures graves.

⚠ AVERTISSEMENT :

Toujours porter une protection oculaire avec écrans latéraux certifiée conforme à la norme ANSI Z87.1, ainsi qu'une protection un casque. Si cette précaution n'est pas prise, des objets peuvent être projetés dans les yeux et d'autres lésions graves.

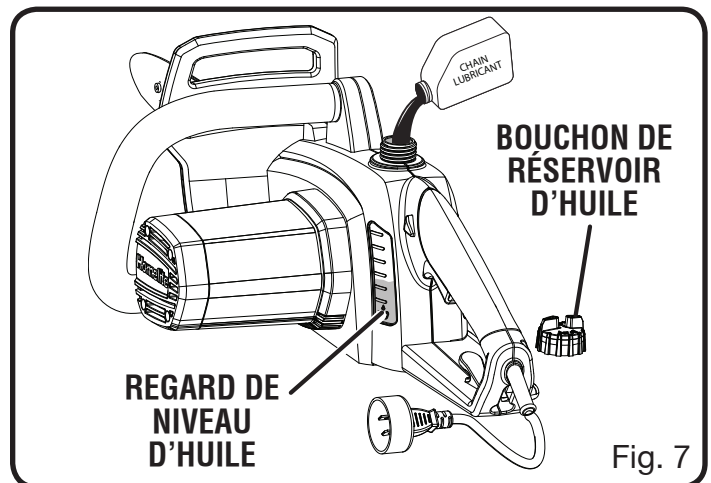
⚠ AVERTISSEMENT :

Ne pas utiliser d'outils ou accessoires non recommandés pour ce produit. L'utilisation de pièces et accessoires non recommandés peut entraîner des blessures graves.

APPLICATIONS

Ce produit peut être utilisé pour les applications ci-dessous :

- Ébranchage, abattage et coupe élémentaires
- Élimination des racines échasses



APPOINT D'HUILE POUR GUIDE ET CHAÎNE

Voir la figure 7.

Utiliser de lubrifiant HOMELITE pour guide et chaîne. Cette huile, conçue pour les chaînes et huileurs de chaîne, est formulée pour fonctionner dans une vaste plage de températures et n'a pas besoin d'être diluée.

NOTE : La scie à chaîne sort d'usine sans guide et sans huile de chaîne ajoutée. La quantité devrait être vérifiée à tous les 20 minutes d'utilisation et renouvelée au besoin.

- Retirer le bouchon du réservoir d'huile.
- Verser soigneusement l'huile pour guide et chaîne dans le réservoir.
- Essuyer l'excès d'huile.
- Inspecter le niveau et remplir le réservoir d'huile si le niveau d'huile indiqué dans le regards est en dessous de l'avant dernier trait.
- Répéter la procédure selon les besoins.

UTILISATION

NOTE : Ne pas utiliser d'huile sale, usagée ou autrement contaminée. Cela pourrait endommager le guide ou la chaîne.

NOTE : Il est normal que de l'huile suinte de la scie lorsqu'elle n'est pas en usage. Pour éviter ce suintement, vider le réservoir d'huile après chaque utilisation puis faire tourner la scie pendant une minute. Lorsque la scie est remise pour une période prolongée (trois mois ou plus), s'assurer que la chaîne et le pignon d'entraînement sont légèrement lubrifiés pour les protéger de la rouille.

BRANCHEMENT SUR UNE PRISE SECTEUR

Voir la figure 8

Cette scie à chaîne est conçue avec un arrimage de cordon prolongateur qui empêche le retenue de cordon d'être dégagé de l'outil lors de son utilisation.

- Former une boucle à l'extrémité du retenue de cordon.
- Insérer la partie boucle du retenue de cordon dans l'ouverture du côté de la poignée arrière et la placer sur l'arrimage du retenue de cordon.
- Tirer lentement la boucle contre l'arrimage du cordon pour le tendre.
- Brancher la scie à chaîne à le cordon

NOTE : Ne pas tendre le cordon prolongateur sur son arrimage peut permettre au cordon de se débrancher de la prise.

DÉMARRAGE ET ARRÊT DE LA SCIE À CHAÎNE

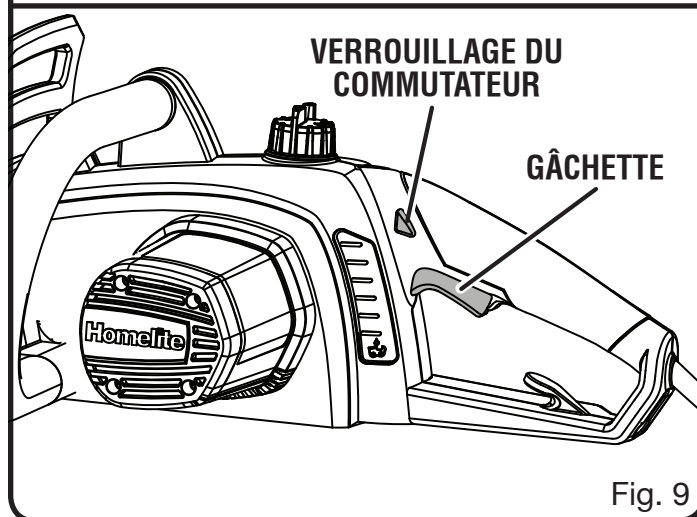
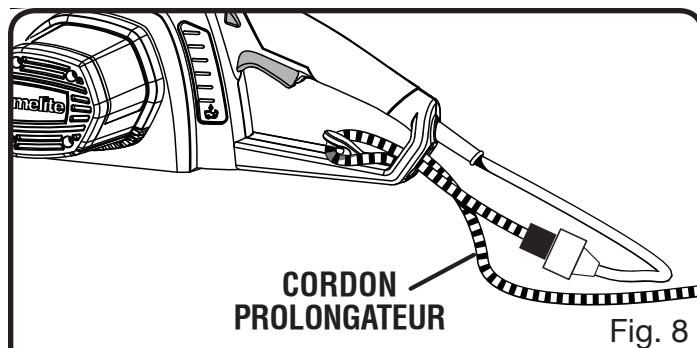
Voir la figure 9.

⚠ AVERTISSEMENT :

Garder le corps à droite de la ligne de chaîne. Ne jamais chevaucher la scie ou la chaîne ou se pencher au-delà de la ligne de chaîne.

Démarrage de la scie à chaîne :

- Veiller tension de la chaîne est à l'arrangement désiré. Voir **Réglage de la Tension de Chaîne** dans la section *Entretien*.
- Veiller couvercle de chaîne de bouton de verrouillage est serré à couvercle de chaîne.



- Veiller à ce qu'aucun objet ou obstacle risquant d'être heurté par le guide ou la chaîne ne se trouve à proximité.
- Maintenir le bouton de verrouillage enfoncé. Ceci permet d'actionner la gâchette.
- Pour le fonctionnement continu, appuyer sur la gâchette, désengager le bouton de verrouillage et maintenir la gâchette enfoncée.

Arrêt de la scie à chaîne :

NOTE : Il est normale que la chaîne continue de tourner jusqu'à l'arrêt une fois la gâchette relâchée.

- Pour arrêter la scie, relâcher la gâchette.
- Lorsque la gâchette est relâchée, le bouton de verrouillage se remet automatiquement en position verrouillée.

PRÉPARATION POUR LA COUPE TENUE CORRECTE DES POIGNÉES

Voir la figure 10.

Voir *Règles de sécurité générales* pour des informations au sujet de l'équipement de sécurité approprié.

UTILISATION

- Porter des gants antidérapants pour assurer une prise et une protection maximum.
- Tenir la scie fermement, à deux mains. Toujours garder la main gauche sur la poignée avant et la main droite sur la poignée arrière, de façon à ce que le corps se trouve à gauche de la ligne de chaîne.

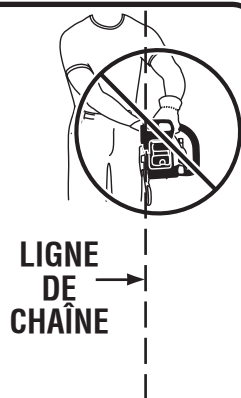
⚠ AVERTISSEMENT :

Ne jamais utiliser une prise gauchère (mains inversées) ou une position qui placerait le bras ou le corps en travers de la ligne de chaîne.

- Toujours maintenir correctement la scie lorsque le moteur tourne. Les doigts doivent entourer la poignée, le pouce étant passé au-dessous. Avec cette prise, la scie risque moins d'échapper à l'opérateur sous l'effet d'un rebond ou d'une autre réaction soudaine de la scie. Il est dangereux de tenir la scie avec les doigts et le pouce du même côté de la poignée, car le moindre à-coup peut faire perdre le contrôle de la scie.

⚠ AVERTISSEMENT :

NE PAS actionner la gâchette avec la main gauche en tenant la poignée avant avec la main droite. Ne jamais laisser une partie du corps quelconque se trouver dans la ligne de chaîne pendant l'utilisation de la scie.



POSITION DE COUPE CORRECTE

Voir la figure 11.

- Se tenir bien campé et en équilibre sur les deux pieds, sur un sol ferme.
- Garder le bras gauche tendu afin de pouvoir résister à la force d'un éventuel rebond.
- Garder le corps à gauche de la ligne de chaîne.
- Garder le pouce au-dessous de la poignée.

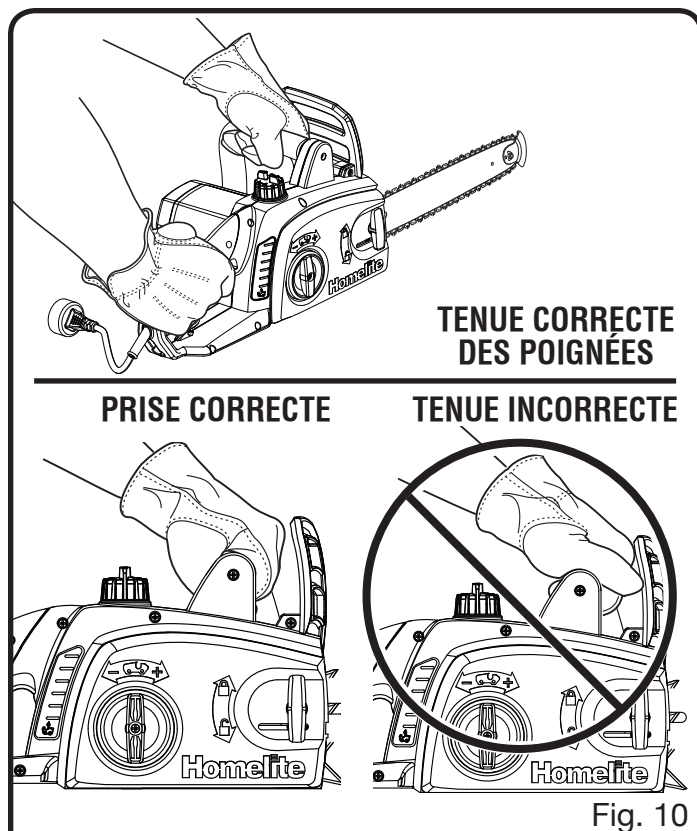


Fig. 10

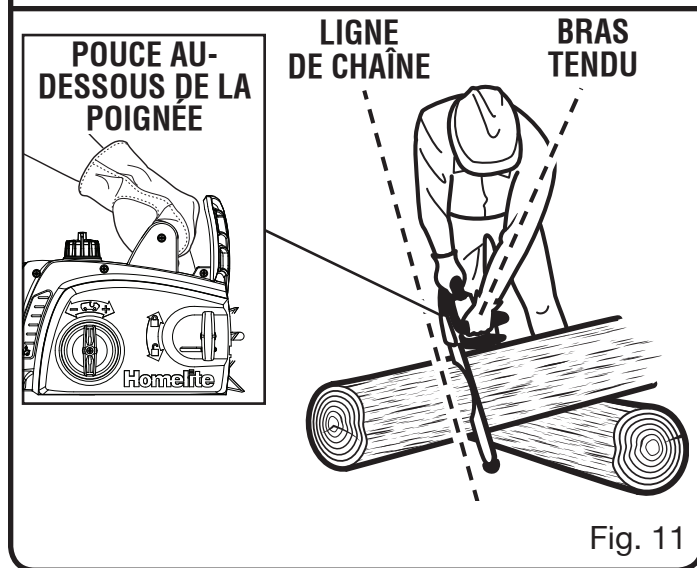


Fig. 11

MÉTHODES D'UTILISATION / COUPE ÉLÉMENTAIRES

S'exercer en coupant quelques petites branches avec la technique décrite ci-après, pour se familiariser avec la scie avant d'entreprendre un travail de coupe important.

- Se mettre en position correcte, face à la pièce à couper, avec la scie au ralenti.

UTILISATION

- Appuyer sur le bouton de verrouillage de commutateur, appuyer sur la gâchette, relâcher le bouton de verrouillage de commutateur et laisser la chaîne parvenir à plein vitesse avant de commencer la coupe.
- Commencer la coupe avec la scie appuyée contre la bille.
- Maintenir un régime moteur uniforme pendant toute la durée de la coupe.
- Laisser la scie effectuer le travail, ne la pousser que légèrement vers le bas. Une force excessive pourrait endommager la chaîne, le guide ou le moteur.
- Relâcher la gâchette dès que la coupe a été effectuée et attendre que la chaîne s'immobilise. Le fonctionnement sans charge de coupe peut inutilement causer une usure excessive de la chaîne du guide et du moteur.
- Ne pas appuyer sur la scie en fin de coupe.

PRÉCAUTIONS À PRENDRE SUR LE LIEU DE TRAVAIL

Voir la figure 12.

- Ne couper que du bois ou des matériaux dérivés du bois. Ne jamais couper de la tôle, des matières plastiques, du béton ou des matériaux de construction autres que le bois.
- Ne jamais laisser un enfant utiliser la scie. Ne jamais laisser quiconque utiliser la scie n'ayant pas lu le manuel d'utilisation ou reçu des instructions appropriées concernant la sécurité et l'utilisation correcte de la scie.
- Tenir les autres travailleurs, badauds et animaux domestiques à **DISTANCE SÉCURITAIRE** de la zone de travail. Pour l'abattage, la distance sécuritaire doit être au moins deux fois la taille de l'arbre le plus grand se trouvant dans la zone de coupe. Pendant les opérations de coupe, maintenir une distance d'au moins 4,6 m (15 pi) entre les travailleurs.
- Toujours couper avec les deux pieds posés sur un sol ferme pour éviter toute perte d'équilibre.
- Ne pas couper au-dessus du niveau de la poitrine, car il est difficile de contrôler une scie maintenue plus haut en cas de rebond.
- Ne pas abattre d'arbres se trouvant à proximité de lignes électriques ou de bâtiments. Ce type de travail doit être confié à des professionnels.
- Ne couper que lorsque la visibilité et la lumière permettent de voir clairement.



Fig. 12

ABATTAGE D'ARBRES SITUATIONS DANGEREUSES

⚠ AVERTISSEMENT :

Ne pas effectuer d'abattage par grand vent ou en cas de fortes précipitations. Attendre que le temps se calme.

Lors de l'abattage d'un arbre il est impératif de respecter les avertissements ci-dessous pour éviter des risques de blessure grave.

- Ne pas couper d'arbres extrêmement inclinés ou de gros arbres aux branches pourries, à l'écorce décollée ou au tronc creux. Ces arbres doivent être poussés ou tirés à terre par un engin de chantier lourd avant d'être débités.
- Ne pas abattre d'arbres se trouvant à proximité de lignes électriques ou de bâtiments.
- Regarder si l'arbre comporte des branches mortes ou endommagées, risquant de tomber et de heurter l'utilisateur pendant l'abattage.
- Pendant la coupe du trait d'abattage, observer de temps à autre la cime de l'arbre pour s'assurer qu'il tombera dans la direction souhaitée.
- Si l'arbre commence à tomber dans le mauvais sens ou si la scie est pincée ou bloquée pendant la chute, l'abandonner et s'échapper !

MÉTHODE CORRECTE D'ABATTAGE

Voir les figures 13 à 16.

- Abattage — Lorsque deux personnes ou plus effectuent des opérations de tronçonnage à proximité d'un abattage, elles doivent se trouver à une distance correspondant à au moins deux fois la hauteur de l'arbre abattu. Les arbres ne doivent pas être abattus d'une manière risquant de mettre quiconque en danger, de heurter une ligne électrique ou de causer des dommages matériels. Si une ligne électrique est heurtée, la compagnie d'électricité doit être immédiatement notifiée.

UTILISATION

- L'utilisateur doit rester du côté surélevé du terrain puisque l'arbre risque de rouler ou de glisser après avoir été abattu.
 - Prévoir un chemin de repli (ou plusieurs, en cas où le chemin prévu serait bloqué). Déblayer les alentours immédiats de l'arbre et s'assurer qu'aucun obstacle n'encombre le chemin de repli prévu. Déblayer le chemin de repli sans danger sur environ 135° par rapport à la ligne de chute prévue.
 - Tenir compte de la force et de la direction du vent, de l'inclinaison et de l'équilibre de l'arbre et de la position des grosses branches. Tous ces facteurs influencent la direction dans laquelle l'arbre tombera. Ne pas faire levier pour abattre un arbre dans une direction autre que la ligne de chute naturelle.
 - Éliminer la terre, les pierres, l'écorce décollée, les clous, agrafes et fils métallique des endroits où les traits d'abattage doivent être pratiqués.
 - **Sifflet d'abattage.** Pratiquer un sifflet d'environ 1/3 du diamètre du tronc, dans le côté de l'arbre. Veiller à ce que les entailles du sifflet se coupent à angle droit par rapport à la ligne de chute. Le sifflet d'abattage doit être taillé de façon à présenter une ligne droite. Pour empêcher le pincement de la scie sous le poids du bois, toujours effectuer l'entaille inférieure du sifflet en premier.
 - **Trait d'abattage.** Lorsque le trait d'abattage se rapproche de la charnière, l'arbre devrait amorcer sa chute. S'il y a une chance, aussi minime soit-elle, que l'arbre tombe dans la mauvaise direction ou qu'il vacille vers l'arrière et coince la chaîne de la scie, ne pas compléter le trait d'abattage. Utiliser des coins d'abattage en bois, en plastique ou en aluminium pour ouvrir le trait et diriger la chute de l'arbre dans la bonne direction. L'entaille arrière doit toujours être de niveau et horizontale, et effectuée à au moins 51 mm (2 po) au-dessus de l'entaille horizontale du sifflet.
- NOTE :** Ne jamais couper jusqu'au sifflet. Toujours laisser une épaisseur de bois [environ 51 mm (2 po), soit 1/10 ème du diamètre du tronc] entre l'entaille d'abattage et le sifflet. Ceci s'appelle une « charnière ». Cette charnière contrôle la chute de l'arbre et empêche le tronc de glisser, de pivoter ou de basculer sur la souche.
- Sur les arbres de grand diamètre, arrêter l'entaille d'abattage avant qu'elle soit assez profonde pour causer la chute de l'arbre ou son affaissement sur la souche. Ensuite, insérer des coins en bois ou en plastique dans le trait, de façon à ce qu'ils ne touchent pas la chaîne. Enfoncer les coins petit à petit pour faire levier sur l'arbre.
 - Lorsque des coins sont utilisés pour tronçonner ou

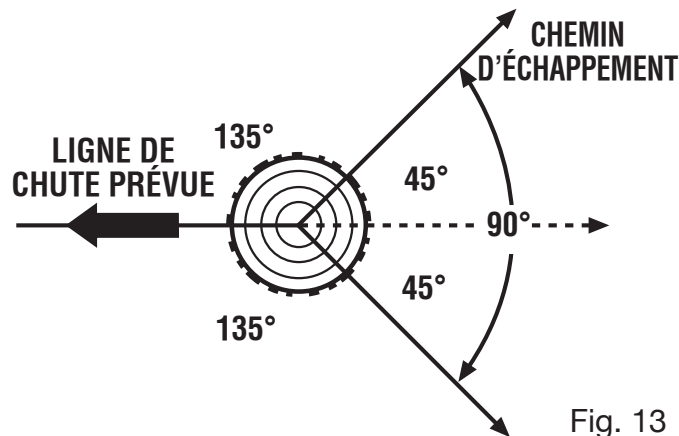
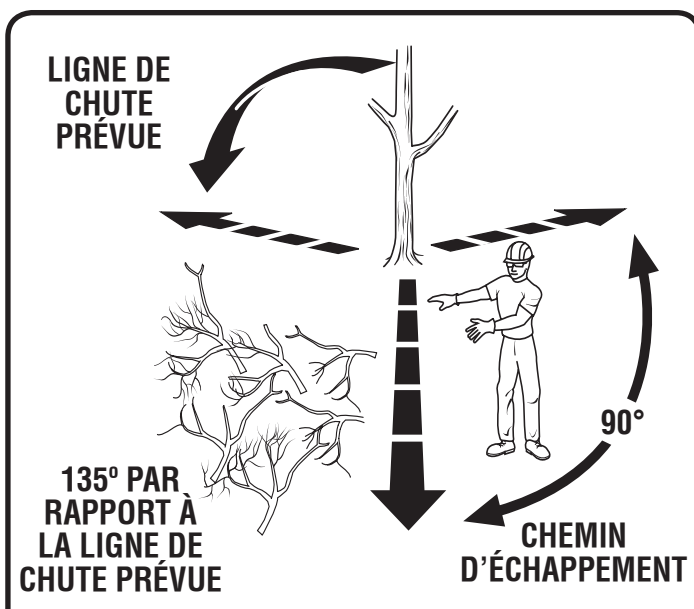


Fig. 13

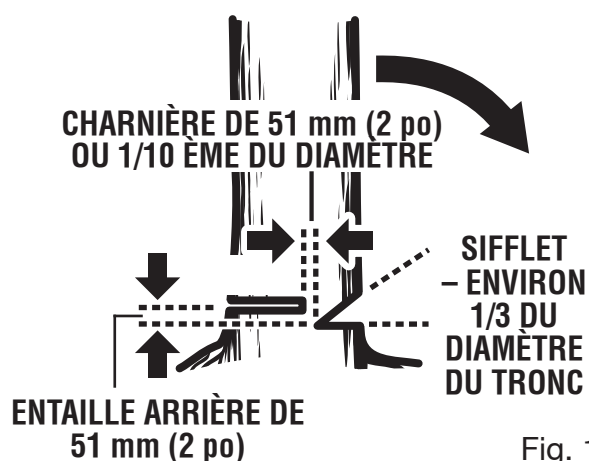


Fig. 14

abattre un arbre, il peut être nécessaire de retirer la garde antibond SAFE-T-TIP afin de pouvoir tirer la lame au travers de l'entaille. Une fois la coupe effectuée, remettre immédiatement la garde en place.

- Dès que l'arbre commence à tomber, arrêter la scie et la poser immédiatement à terre. S'échapper par

UTILISATION

le chemin dégagé tout en prenant garde que rien ne tombe vers soi.

⚠ AVERTISSEMENT :

Ne jamais couper l'entaille d'abattage jusqu'au sifflet. La charnière, qui est la section de bois laissée intacte entre le trait d'abattage et le sifflet contrôle la chute de l'arbre.

ÉLIMINATION DES RACINES ÉCHASSES

Voir la figure 17.

Une racine échasse est une grosse racine qui s'étend à partir du tronc au-dessus du sol. Retirer les grosses racines échasses avant d'abattre l'arbre. Pratiquer d'abord l'entaille horizontale dans la racine échasse, puis l'entaille verticale. Éloigner la section coupée de la zone de travail. Une fois que les grandes racines échasses sont éliminées, suivre la **procédure d'abattage correcte**.

DÉBITAGE

Voir la figure 18.

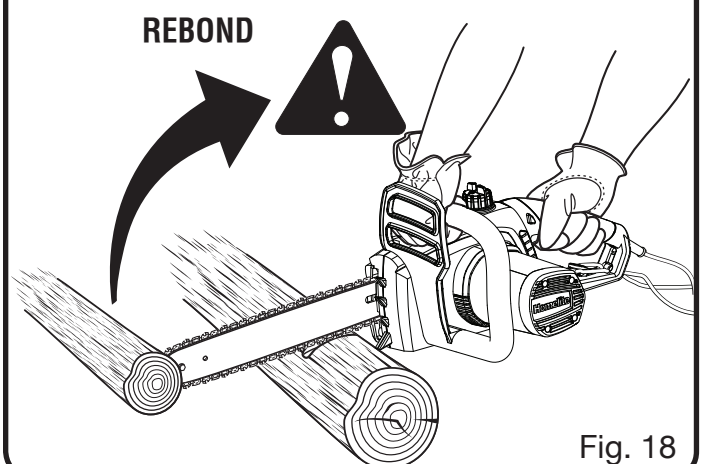
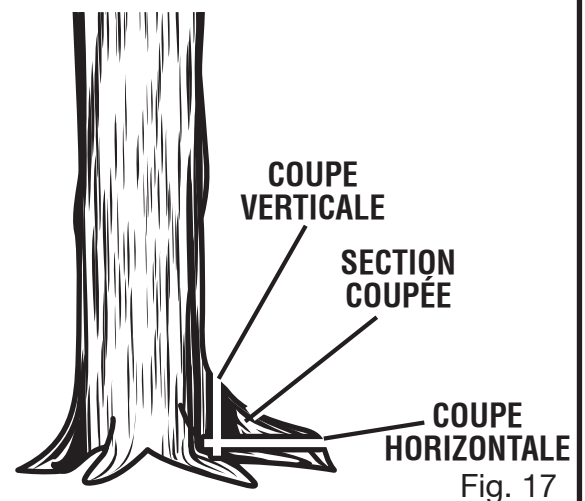
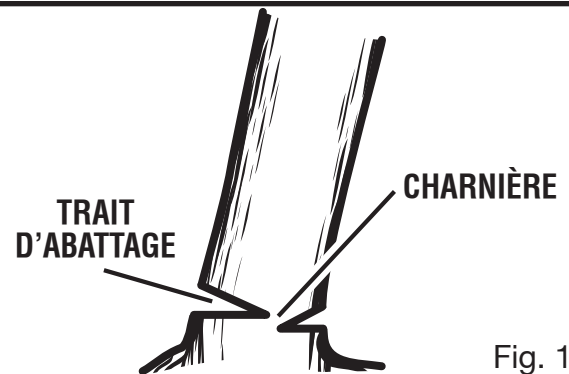
Débitage est le terme utilisé pour la coupe d'un arbre abattu en billes de la taille désirée.

- Toujours veiller à se tenir bien campé et en équilibre, le poids également réparti sur les deux pieds.
- Ne couper qu'une bille à la fois.
- Soutenir les petites billes avec un chevalet ou une autre bille.
- Garder le lieu de travail propre et déblayé. S'assurer que rien ne risque d'entrer en contact avec l'extrémité du guide et la chaîne, car cela pourrait causer un rebond. Pour éviter ce risque, laisser la garde anti-rebond SAFE-T-TIP en place pendant la coupe. Voir **Rebond**, plus haut dans ce manuel.
- Lors du tronçonnage sur une pente, toujours se tenir en amont de la bille. En fin de coupe, réduire la pression exercée sur la scie, sans relâcher la prise des deux mains sur les poignées afin de garder le contrôle de la scie. Ne pas laisser la chaîne heurter le sol. Une fois la coupe terminée, attendre l'immobilisation complète de la chaîne avant de se déplacer. Toujours arrêter le moteur avant de passer d'un arbre à un autre.

TRONÇONNAGE AVEC COINS

Voir la figure 19.

Si le diamètre de la pièce est assez grand pour permettre l'insertion d'un coin en bois tendre sans que celui-ci touche la chaîne, utiliser le coin pour maintenir l'entaille ouverte et empêcher le pincement de la chaîne.



UTILISATION

NOTE : Lorsque des coins sont utilisés pour l'entaille ou l'abattage, il peut être nécessaire de retirer la garde antirebond SAFE-T-TIP afin de pouvoir tirer la lame au travers de la section. Une fois la coupe effectuée, remettre la garde en place.

DÉBITAGE DE BILLES SOUS CONTRAINTE

Voir la figure 20.

Pratiquer la première entaille à 1/3 du diamètre de la pièce et finir la coupe des 2/3 restant depuis le côté opposé. À mesure qu'elle est coupée, la bille a tendance à ployer. Si la première coupe dépasse le tiers du diamètre de la bille, la lame risque d'être pincée ou bloquée dans l'entaille.

Prêter une attention particulière aux billes sous contrainte pour éviter que le guide et la chaîne ne soient pincés.

COUPE PAR LE DESSUS

Voir la figure 21.

Commencer sur le haut de la bille, le bas de la scie appuyé contre le bois et exercer une légère pression vers le bas. Noter que la scie aura tendance à tirer vers l'avant.

COUPE PAR LE DESSOUS

Voir la figure 22.

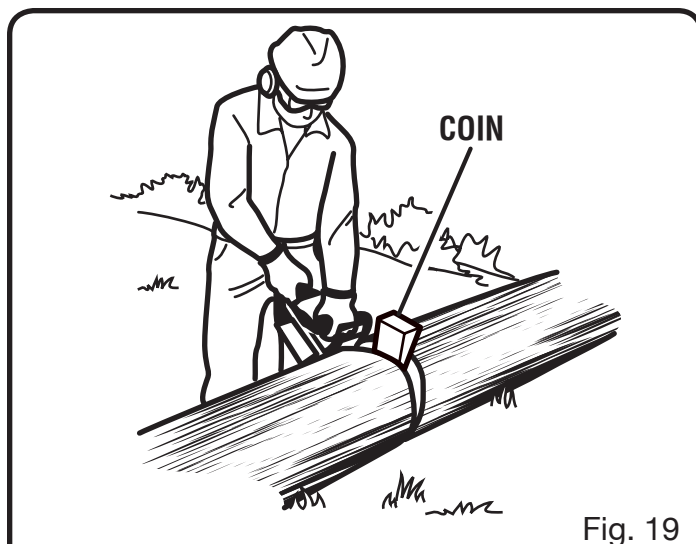
Commencer sur le bas de la bille, le haut de la scie appuyé contre le bois et exercer une légère pression vers le haut. Noter que la scie aura tendance à pousser vers l'utilisateur. Être préparé à cette réaction et maintenir la scie fermement pour garder le contrôle.

ÉBRANCHAGE

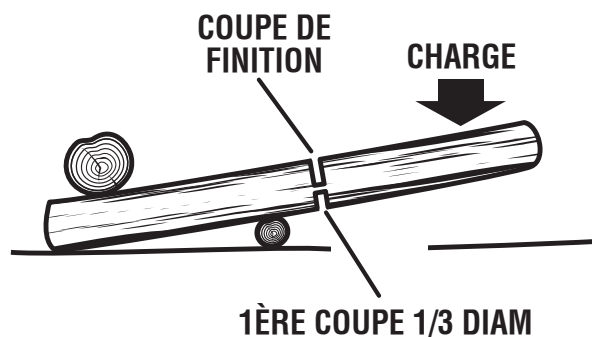
Voir la figure 23.

L'ébranchage revient à couper les branches d'un arbre abattu.

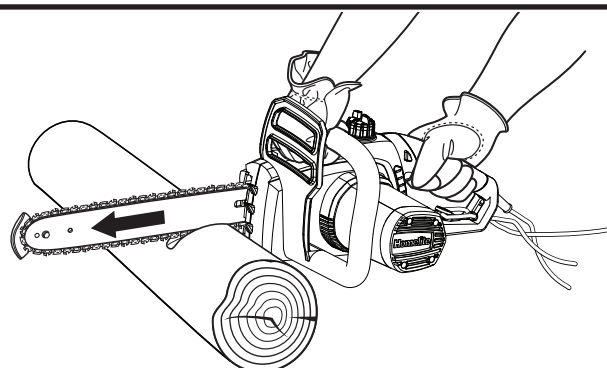
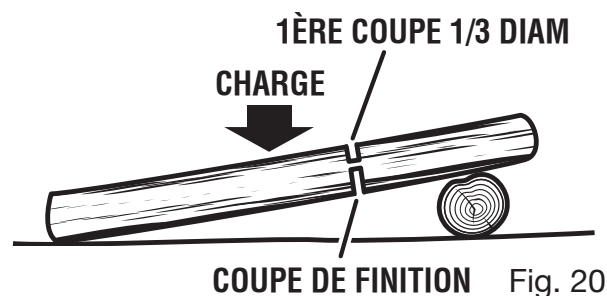
- Travailler lentement et tenir la scie fermement à deux mains. Toujours veiller à se tenir bien campé et en équilibre sur les deux pieds.
- Ne pas couper les grosses branches soutenant l'arbre, afin de le maintenir à distance du sol.
- Ne couper qu'une branche à la fois. Éloigner les branches coupées de la zone de travail fréquemment pour maintenir l'endroit dégagé et sûr.
- Les branches sous tension doivent être coupées par le dessous pour éviter le pincement de la chaîne.
- Pendant l'ébranchage, garder le tronc entre le corps et la scie. Couper en se tenant du côté du tronc opposé à la branche à couper.



BILLE SOUTENUE À UNE EXTRÉMITÉ



BILLE SOUTENUE AUX DEUX EXTRÉMITÉS



UTILISATION

ÉLAGAGE

Voir la figure 24.

L'élagage consiste à couper les branches d'un arbre sur pied.

- Travailler lentement et tenir la scie fermement à deux mains. Toujours veiller à se tenir bien campé et en équilibre sur les deux pieds.
- Ne pas utiliser la scie en se tenant sur une échelle, ce qui est extrêmement dangereux. Ce type de travail doit être confié à des professionnels.
- Ne pas couper au-dessus du niveau de la poitrine, car il est difficile de contrôler une scie maintenue plus haut en cas de rebond.
- Lors de l'élagage il est important de ne pas couper au ras d'une branche maîtresse ou du tronc avant d'avoir coupé la branche à distance pour en réduire le poids. Ceci évite d'endommager l'écorce.
- La première entaille doit être effectuée par le dessous, jusqu'au tiers du diamètre de la branche.
- La deuxième entaille doit être effectuée par le dessus pour faire tomber la branche.
- Ceci fait, la coupe finale peut être effectuée nettement au ras du tronc ou de la branche maîtresse, de façon à ce que l'écorce puisse pousser pour sceller la plaie.

⚠ AVERTISSEMENT :

Si les branches à couper se trouvent au-dessus du niveau de la poitrine, confier le travail à un professionnel.

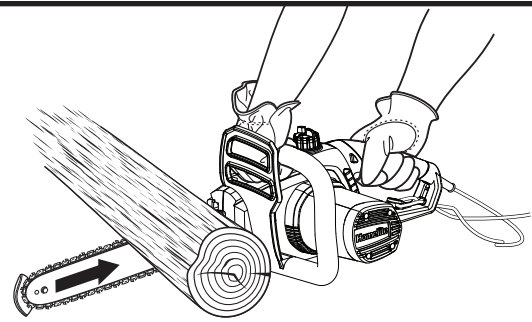
COUPE DE FOUETS

Voir la figure 25.

Un fouet est une bille, une branche, une souche déracinée ou un arbrisseau fléchi sous tension par une autre pièce de bois qui se détendra une fois que cette pièce est coupée ou enlevée. La souche déracinée d'un arbre abattu risque fortement de se remettre à la verticale lorsque la coupe destinée à séparer le tronc de la souche est effectuée. Se méfier des fouets, ils sont dangereux.

⚠ AVERTISSEMENT :

Les fouets sont dangereux et peuvent heurter l'opérateur, lui faisant perdre le contrôle de la scie. Ceci peut entraîner des blessures graves ou mortelles.



COUPE PAR LE DESSOUS

Fig. 22

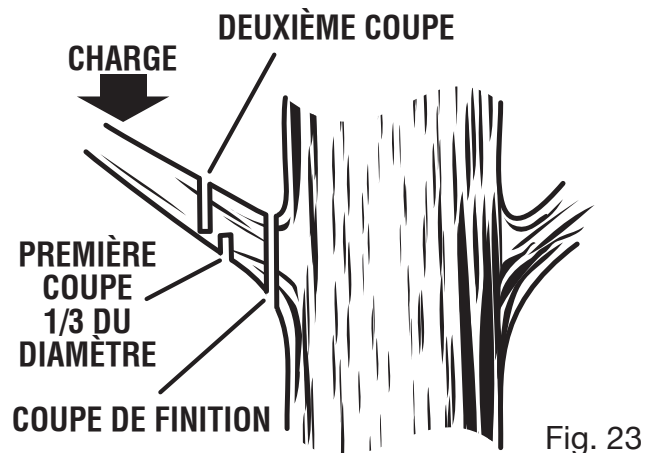
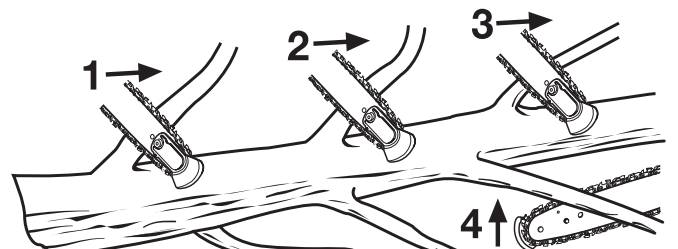


Fig. 23



COUPER LES BRANCHES UNE À UNE ET LAISSER CELLES SOUTENANT LE TRONC JUSQU'À CE QU CELUI-CI SOIT DÉBITÉ.

Fig. 24



FOUET

Fig. 25

ENTRETIEN

⚠ AVERTISSEMENT :

Utiliser exclusivement des pièces Homelite identiques à celles d'origine pour les réparations. L'usage de toute autre pièce pourrait créer une situation dangereuse ou endommager l'outil.

⚠ AVERTISSEMENT :

Toujours porter une protection oculaire avec écrans latéraux certifiée conforme à la norme ANSI Z87.1, ainsi qu'une protection un casque. Si cette précaution n'est pas prise, des objets peuvent être projetés dans les yeux et d'autres lésions graves.

ENTRETIEN GÉNÉRAL

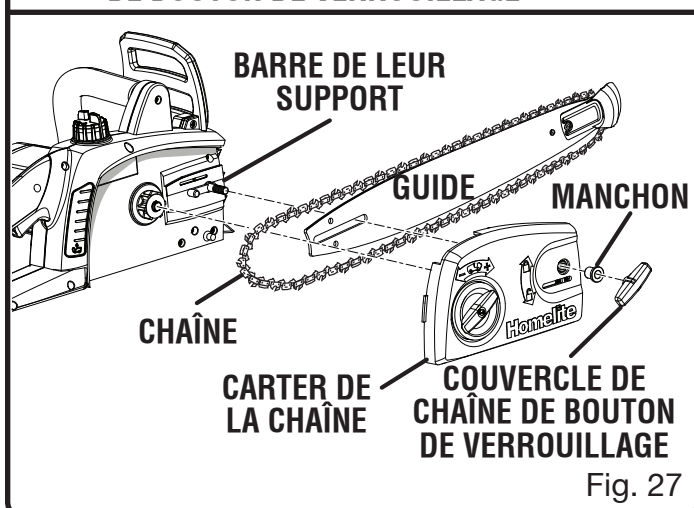
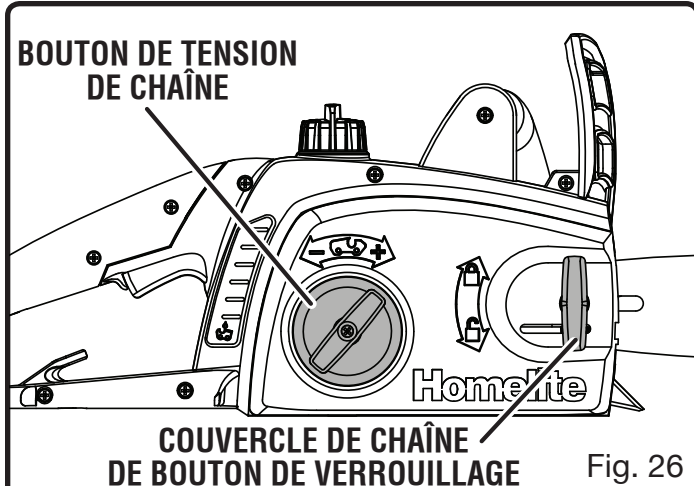
Éviter d'utiliser des solvants pour le nettoyage des pièces en plastique. La plupart des matières plastiques peuvent être endommagées par divers types de solvants du commerce. Utiliser un chiffon propre pour éliminer la saleté, la poussière, l'lubrifiant, la graisse, etc.

⚠ AVERTISSEMENT :

Ne jamais laisser de liquides tels que le fluide de freins, l'essence, les produits à base de pétrole, les lubrifiants pénétrants, etc., entrer en contact avec les pièces en plastique. Les produits chimiques peuvent endommager, affaiblir ou détruire le plastique, ce qui peut entraîner des blessures graves.

LUBRIFICATION

Tous les roulements de cet outil sont enduits d'une quantité suffisante de lubrifiant de haute qualité pour la durée de vie de l'outil, dans des conditions d'utilisation normales. Aucune autre lubrification n'est donc nécessaire.



REPLACEMENT DU GUIDE ET DE LA CHAÎNE

Voir les figures 26 à 33.

⚠ DANGER :

Ne jamais mettre le moteur en marche sans que le guide, la chaîne, le capot moteur et le couvercle de chaîne de bouton de verrouillage soient en place. Si toutes ces pièces ne sont pas en place, l'embrayage peut être éjecté ou éclater et infliger des blessures graves.

⚠ AVERTISSEMENT :

Pour éviter des blessures graves, lire et veiller à bien comprendre toutes les instructions de sécurité contenues dans cette section.

ENTRETIEN

⚠ AVERTISSEMENT :

Avant d'effectuer tout entretien, s'assurer que l'outil est débranché. Le non respect de cet avertissement peut causer un démarrage accidentel, entraînant des blessures graves.

⚠ ATTENTION :

Toujours porter des gants lors de la manipulation du guide et de la chaîne qui sont tranchants et peuvent présenter des bavures.

⚠ AVERTISSEMENT :

Ne jamais toucher ou régler la chaîne lorsque le moteur tourne. La chaîne de la scie est extrêmement tranchante. Toujours porter des gants lors de son entretien pour éviter des lacérations profondes.

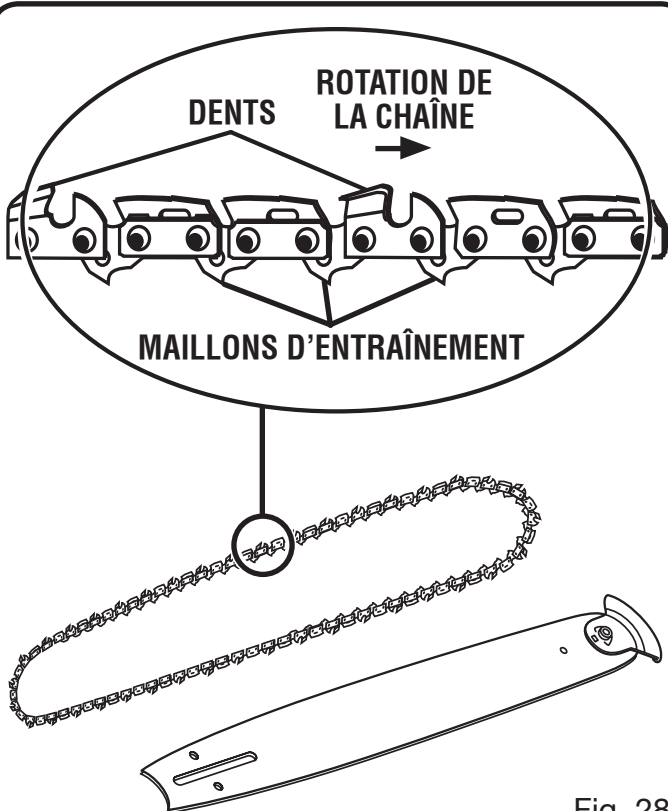


Fig. 28

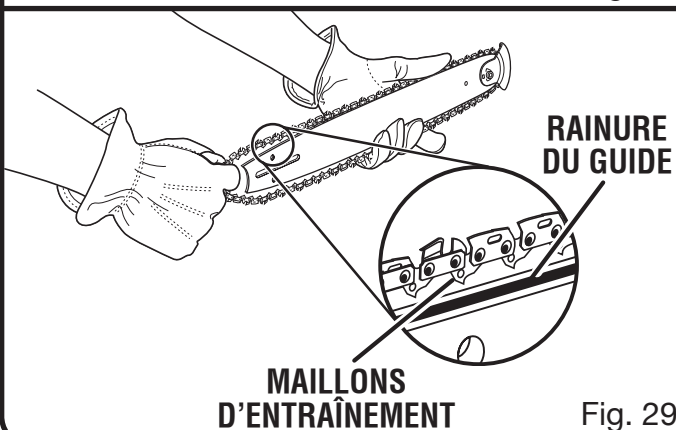


Fig. 29

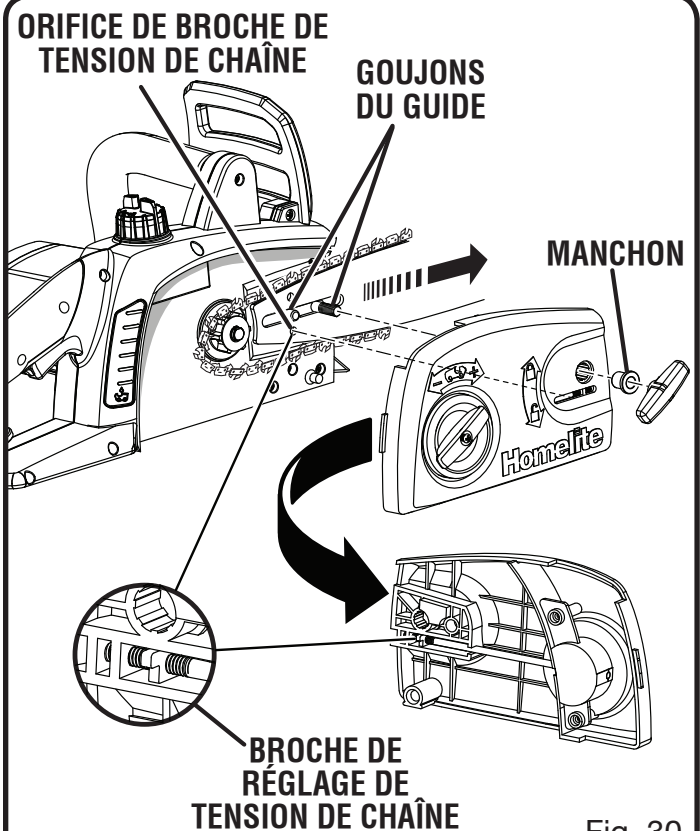


Fig. 30

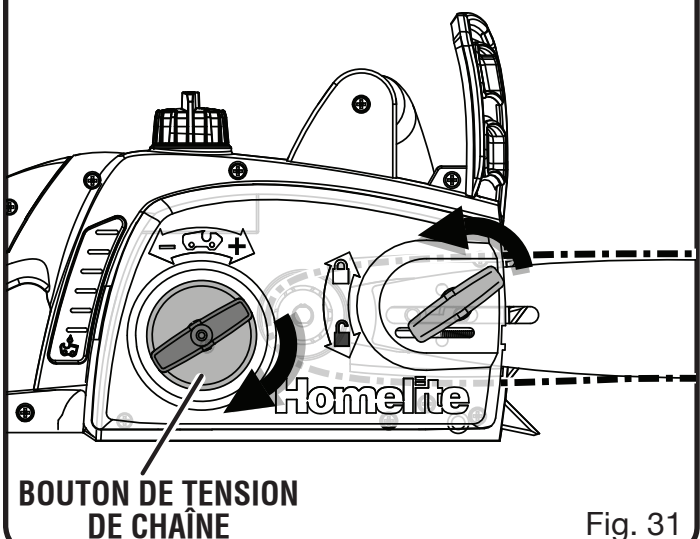


Fig. 31

ENTRETIEN

NOTE : Lors du remplacement du guide et de la chaîne, toujours utiliser les pièces indiquées à la section **Combinaisons de guide et chaîne**, plus loin dans ce manuel.

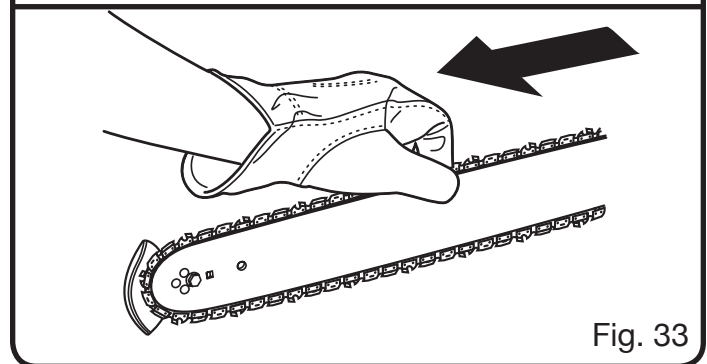
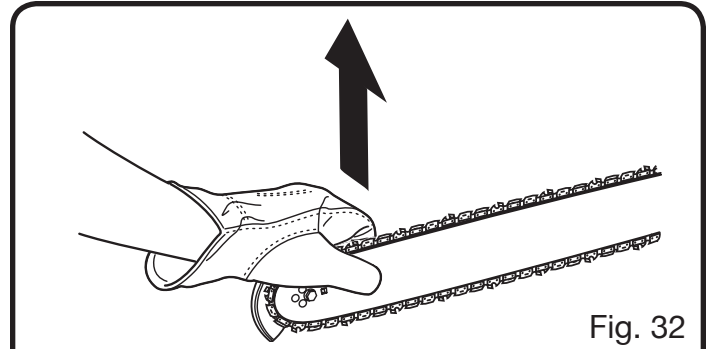
- Débranchez la scie à chaîne de la source de courant.
- Tournez couvercle de chaîne de bouton de verrouillage gauche retirer bouton et manchon.
- Retirer le couvercle de chaîne.
- Retirer le guide et la barre de leur support.
- Retirer la chaîne usée du guide.
- Former une boucle avec la nouvelle chaîne et éliminer les entortillements. Les gouges doivent être orientées dans le sens de rotation de la chaîne. Si elles sont orientées dans le sens contraire, retourner la boucle.
- Engager les maillons d'entraînement de la chaîne dans la rainure du guide conformément à l'illustration.

NOTE : S'assurer du sens de la chaîne.

- Positionner la chaîne de façon à obtenir une boucle à l'arrière du guide.
- Maintenir la chaîne en place sur le guide et engager la boucle sur le pignon.
- Ajuster le guide au ras de la surface de montage, de manière à ce que ses goujons s'engagent dans la fente longue du guide.

NOTE : Lors de l'engagement de la barre sur les goujons veiller à ce que l'axe de réglage de tension de la chaîne soit inséré dans son trou.

- Remettre le couvercle de chaîne.
- Maintenir le manchon et la couvercle de chaîne de bouton de verrouillage; tournez droit le bouton serrer. Le mouvement du guide est nécessaire pour le réglage de la tension.
- Éliminer complètement le mou de la chaîne en tournant la bouton de réglage de tension de la chaîne vers la droite jusqu'à ce que la chaîne soit bien ajustée sur le guide, les maillons d'entraînement étant engagés dans la rainure du guide.



- Relever l'extrémité du guide pour vérifier le mou.
- Lâcher l'extrémité du guide et tourner la bouton de tension de la chaîne de 1/2 tour vers la droite. Répéter l'opération jusqu'à ce que le mou soit complètement éliminé.
- Maintenir l'extrémité du guide et serrer fermement le couvercle de chaîne de bouton de verrouillage.

Une chaîne est correctement tendue lorsqu'elle ne présente pas de mou au dessous du guide et qu'elle est bien serrée, mais peut cependant être tournée à la main sans se gripper.

NOTE : Si la chaîne est trop tendue, elle ne peut pas tourner. Desserre légèrement couvercle de chaîne de bouton de verrouillage et tourner la bouton de tension de chaîne 1/4 de tour vers la gauche. Relever l'extrémité du guide et serrer fermement couvercle de chaîne de bouton de verrouillage. Vérifier que la chaîne peut tourner sans se gripper.

ENTRETIEN

RÉGLAGE DE LA TENSION DE CHAÎNE

Voir les figures 34 et 35.

⚠ AVERTISSEMENT :

Ne jamais toucher ou régler la chaîne lorsque le moteur tourne. La chaîne est extrêmement tranchante. Toujours porter des gants lors de l'entretien de la chaîne.

- Couper le moteur et débranchez de la source de courant avant de régler la tension de la chaîne.
- Desserre légèrement couvercle de chaîne de bouton de verrouillage.
- Tourner la bouton de tension vers la droite pour tendre la chaîne.

NOTE : Une chaîne froide est correctement tendue lorsqu'elle ne présente pas de mou au dessous du guide et qu'elle est bien serrée mais peut cependant être tournée à la main sans se gripper.

- Tournez droit couvercle de chaîne de bouton de verrouillage la droit pour fixer.

La chaîne doit être retendue lorsque les méplats des maillons d'entraînement sortent de la rainure du guide.

NOTE : Pendant l'utilisation normale de la scie, la température de la chaîne augmente. Les maillons d'entraînement d'une chaîne chaude correctement tendue pendent à environ 1,25 mm (0,050 po) au-dessous de la rainure du guide.

NOTE : Les chaînes neuves ont tendance à s'étirer. Il convient donc de vérifier fréquemment leur tension et de la corriger le cas échéant.

⚠ ATTENTION :

Une chaîne réglée à chaud peut présenter une tension excessive une fois refroidie. Vérifier la « tension à froid » avant l'utilisation suivante.

MÉPLATS DES MAILLONS D'ENTRAÎNEMENT

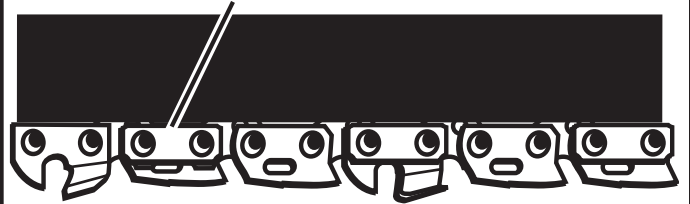
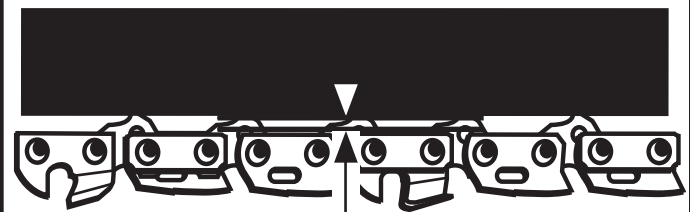


Fig. 34



≈ 1,25 mm (0,050 po)

Fig. 35

JEU DU LIMITEUR DE PROFONDEUR



0,6 mm
(0,025 po)

Fig. 36

ENTRETIEN DE LA CHAÎNE

Voir les figures 36 et 37.

⚠ ATTENTION :

S'assurer que scie à chaîne est débranché de la source de courant avant de travailler sur la scie.

Utiliser exclusivement des chaînes à rebond réduit sur cette scie. Correctement entretenue, cette chaîne à coupe rapide réduira les risques de rebond.

Pour couper rapidement et nettement, la chaîne doit être correctement entretenue.

La chaîne doit être affûtée lorsque les copeaux de bois sont petits et poudreux, lorsqu'il est nécessaire de forcer sur la scie pour couper ou lorsque la chaîne ne coupe que d'un côté. Lors de l'entretien de la chaîne, tenir compte des points suivants :

ENTRETIEN

- Un angle d'affûtage incorrect de la plaque latérale peut accroître les risques de rebond puissant.
- Jeu du limiteur de profondeur
 - Un réglage trop profond accroît le risque de rebond.
 - Un réglage pas assez profond réduit la capacité de coupe.
- Si les dents de la chaîne heurtent des objets durs tels que des clous ou des pierres, ou sont abrasées par du sable ou de la boue se trouvant sur le bois, la faire affûter dans un centre de réparations agréé.

NOTE : Lors du remplacement de la chaîne, s'assurer que le pignon d'entraînement n'est ni usé, ni endommagé. En cas de signes d'usure ou de dommages aux endroits indiqués, faire remplacer le pignon dans un centre de réparation agréé.

NOTE : Si les instructions d'affûtage de la chaîne ne sont pas bien comprises confier l'affûtage de la chaîne à un centre de réparations agréé ou la remplacer par une chaîne à rebond réduit recommandée.

AFFÛTAGE DES DENTS

Voir les figures 38 à 41.

Veiller à limer toutes les dents aux angles spécifiés et à la même longueur, car une coupe rapide ne peut être obtenue qu'avec des dents uniformes.

ATTENTION :

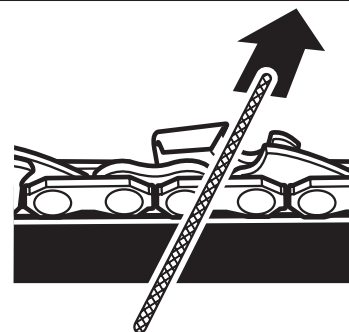
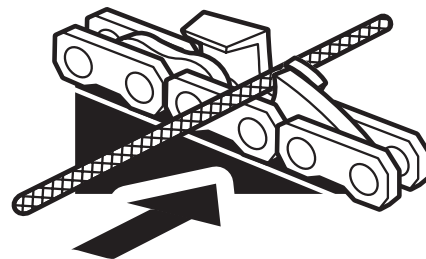
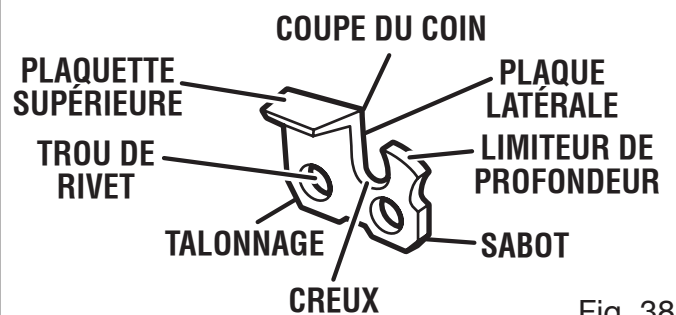
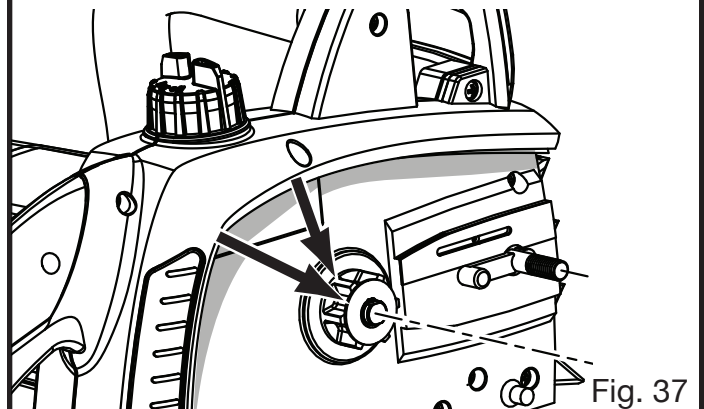
S'assurer que scie à chaîne est débranché de la source de courant avant de travailler sur la scie.

⚠ AVERTISSEMENT :

La chaîne est extrêmement tranchante. Toujours porter des gants protecteurs lors de l'entretien de la chaîne, afin d'éviter des blessures graves.

- Tendre la chaîne correctement avant de l'affûter. Voir Réglage de la tension de chaîne.

INSPECTER LE PIGNON D'ENTRAÎNEMENT



- Utiliser une lime ronde de 4,0 mm (5/32 po), et un porte-lime. Tout le limage doit être effectué au point central du guide.
- Garder la lime de niveau avec la plaque supérieure de la dent. Ne pas incliner la lime ou utiliser un mouvement de bascule.

ENTRETIEN

- Exercer une pression légère mais ferme. Limer en direction du coin avant de la dent.
- Soulever la lime de l'acier à chaque retour.
- Effectuer quelques passes fermes sur chaque dent. Limer toutes les gouges de gauche dans un sens. Ensuite, passer à l'autre côté et limer toutes les gouges de droite dans l'autre sens.
- Éliminer la limaille de la lime au moyen d'une brosse métallique.

ATTENTION :

Une chaîne émoussée ou incorrectement affûtée peut causer un régime excessif du moteur pendant la coupe et l'endommager gravement.

⚠ AVERTISSEMENT :

Un affûtage incorrect de la chaîne accroît le risque de rebond.

⚠ AVERTISSEMENT :

L'utilisation d'une chaîne endommagée peut causer des blessures graves.

ANGLE D'AFFÛTAGE DE LA PLAQUE SUPÉRIEURE

Voir la figure 42

- CORRECT 30° – Les porte-limes sont dotés de repères permettant d'aligner la lime correctement, de façon à obtenir un angle de plaque supérieure satisfaisant.
- MOINS DE 30° – Pour le tronçonnage
- PLUS DE 30° – Tranchant aminci, s'émousse rapidement.

ANGLE DE PLAQUE LATÉRALE

Voir la figure 43.

- CORRECT 80° – Obtenu automatiquement si une lime de diamètre approprié est placée dans le porte-limes.
- CROCHET – « Accroche » le bois et s'émousse rapidement, ce qui accroît le risque de REBOND. Résulte de l'emploi d'une lime de trop petit diamètre ou d'une lime tenue trop bas.

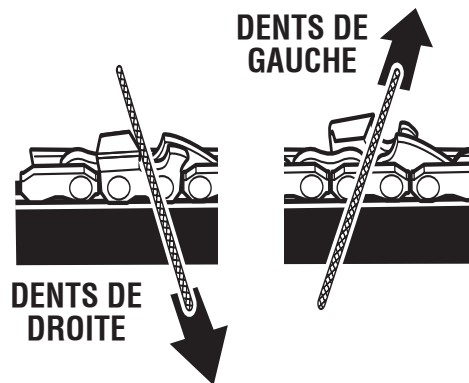


Fig. 41

ANGLE D'AFFÛTAGE DE LA PLAQUE SUPÉRIEURE

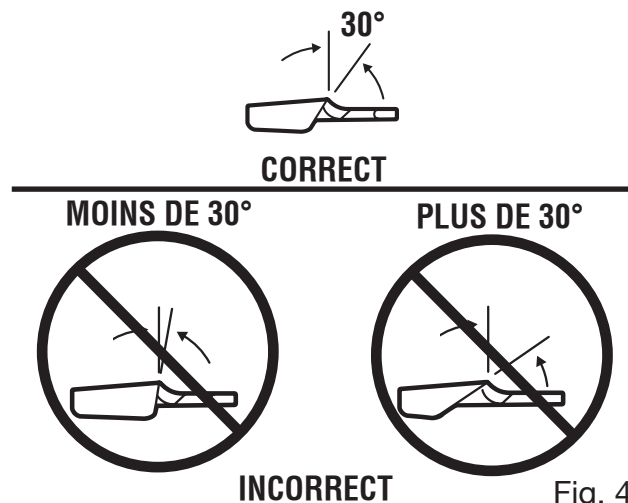


Fig. 42

ANGLE D'AFFÛTAGE DE LA PLAQUE LATÉRALE

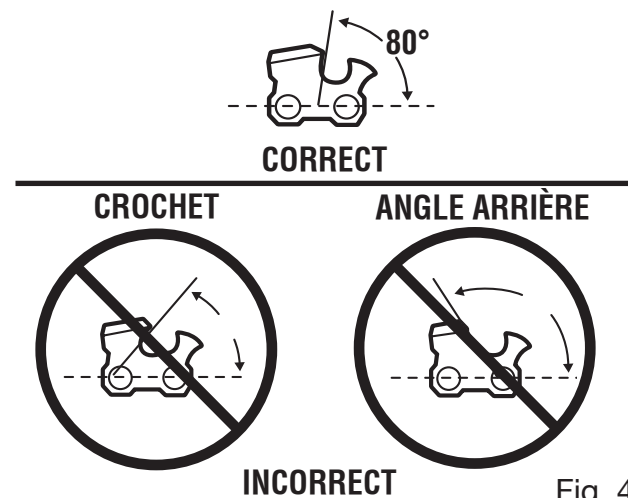


Fig. 43

- ANGLE ARRIÈRE – Nécessite une pression d'attaque excessive, causant l'usure prématurée du guide et de la chaîne. Résulte de l'emploi d'une lime de trop grand diamètre ou d'une lime tenue trop haut.

ENTRETIEN

MAINTIEN DU JEU DU LIMITEUR DE PROFONDEUR

Voir les figures 44 à 46.

- Le jeu du limiteur de profondeur doit être maintenu à 0,6 mm (0,025 po). Utiliser une jauge de profondeur pour vérifier le jeu du limiteur.
- Vérifier le jeu du limiteur de profondeur lors de chaque affûtage de la chaîne.
- Utiliser une lime plate et un coupleur pour limer tous les limiteurs de profondeur uniformément. Utiliser un coupleur de limiteur de 0,6 mm (0,025 po). Après avoir abaissé chaque limiteur de profondeur, lui rendre sa forme d'origine en arrondissant l'avant. Veiller à ne pas endommager les maillons d'entraînement adjacents avec le bord de la lime.
- Les limiteurs de profondeur doivent être ajustés avec la lime plate, dans le sens dans lequel les dents adjacentes ont été affûtées avec la lime ronde. Veiller à ne pas toucher la face de la gouge avec la lime plate lors de l'ajustement des limiteurs de profondeur.

ENTRETIEN DU GUIDE

Voir la figure 47.

⚠ ATTENTION :

S'assurer que la chaîne s'est immobilisée avant d'entreprendre tout travail sur la scie.

Après chaque semaine d'utilisation, inverser le guide sur la chaîne, afin de répartir l'usure et d'obtenir une vie utile maximum du guide. Le guide doit être nettoyé après chaque journée d'utilisation et inspecté en vue d'usure ou de dommage.

Les amincissements et ébarbures sur les rails du guide font partie de l'usure normale. Ces défauts doivent être limés dès qu'ils apparaissent.

Un guide présentant l'un ou plusieurs des défauts ci-dessous doit être remplacé.

- Usure de l'intérieur des rails permettant à la chaîne de se coucher sur le côté
- Guide tordu
- Rails fêlés ou brisés
- Rails écartés

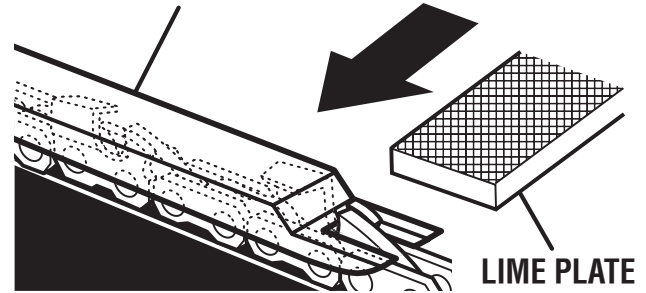
JEU DU LIMITEUR DE PROFONDEUR



0,6 mm
(0,025 po)

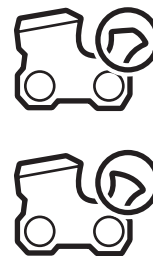
Fig. 44

COUPLEUR DE LIMITEUR DE PROFONDEUR



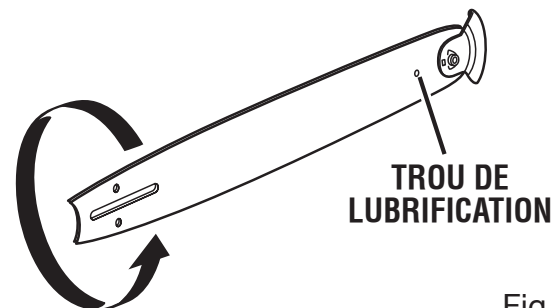
LIME PLATE

Fig. 45



RENDRE LA FORME
D'ORIGINE EN
ARRONDISSANT
L'AVANT

Fig. 46



TROU DE
LUBRIFICATION

Fig. 47

En outre lubrifier les barres du guide doté d'un pignon d'extrémité chaque semaine. Injecter la graisse dans le trou de lubrification, à l'aide d'une seringue, une fois par semaine. Retourner le guide et s'assurer que les trous de lubrification et la rainure de chaîne sont propres.

INSTALLATION DE LA GARDE SAFE-T-TIP

Voir les figures 48 et 49.

- Débranchez la scie à chaîne de la source de courant.

ENTRETIEN

- Installer la garde SAFE-T-TIP sur l'extrémité du guide.
- Engager le rivet ou tenon de verrouillage dans le trou à évidement du guide.
- Serrer la vis avec la clé jusqu'à ce que sa tête fasse contact.
- Une fois que la tête est en contact, donner 3/4 de tour supplémentaire.

ENTRETIEN DE LA GARDE SAFE-T-TIP

Voir les figures 47 et 48.

⚠ ATTENTION :

S'assurer que la chaîne s'est immobilisée avant d'entreprendre tout travail sur la scie.

⚠ AVERTISSEMENT :

Bien que le dispositif antirebond SAFE-T-TIP ait été installé en usine, vérifier le serrage de sa vis de montage avant chaque utilisation.

Suivre les instructions ci-dessous pour serrer la vis de montage sur la garde. La vis est en acier spécialement trempé. Si la vis ne peut pas être installée correctement, la remplacer, ainsi que le dispositif SAFE-T-TIP avant d'utiliser la scie.

NOTE : Ne pas utiliser une vis ordinaire. Utiliser exclusivement des pièces identiques à celles d'origine pour les réparations.

Non seulement le dispositif SAFE-T-TIP empêche l'extrémité du guide de heurter des objets durs, il protège la chaîne des matériaux abrasifs tels que la terre. Le garder du côté droit du guide, afin que la chaîne soit protégée lors des travaux de coupe au ras du sol.

La vis de fixation doit être serrée au moyen d'une clé de 7,9 mm (5/16 po) (ou d'une clé à molette), au couple recommandé de 4 à 5 Nm (35 à 45 lb·pi). Ce couple peut être obtenu de la manière suivante.

- Serrer la vis avec la clé jusqu'à ce que sa tête fasse contact.
- Une fois que la tête est en contact, donner 3/4 de tour supplémentaire.

REMISAGE LE PRODUIT

Voir la figure 50.

- Nettoyer soigneusement le produit. La remiser dans un endroit bien aéré, inaccessible aux

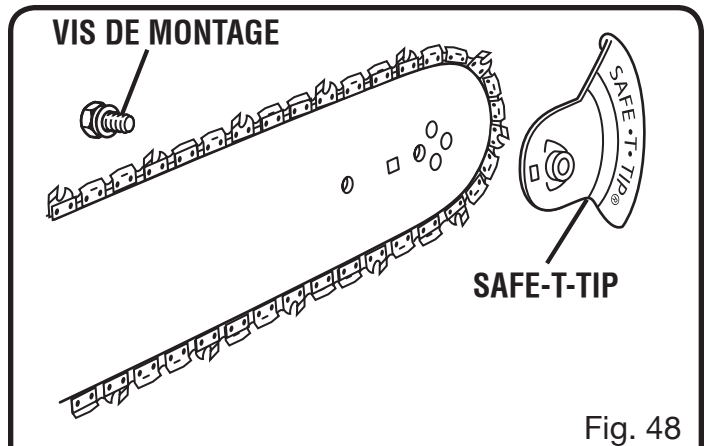


Fig. 48

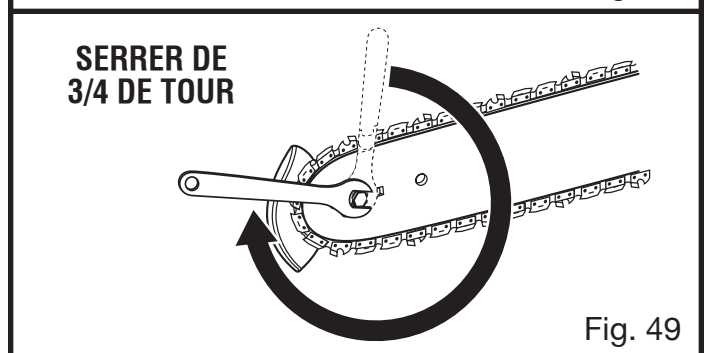


Fig. 49

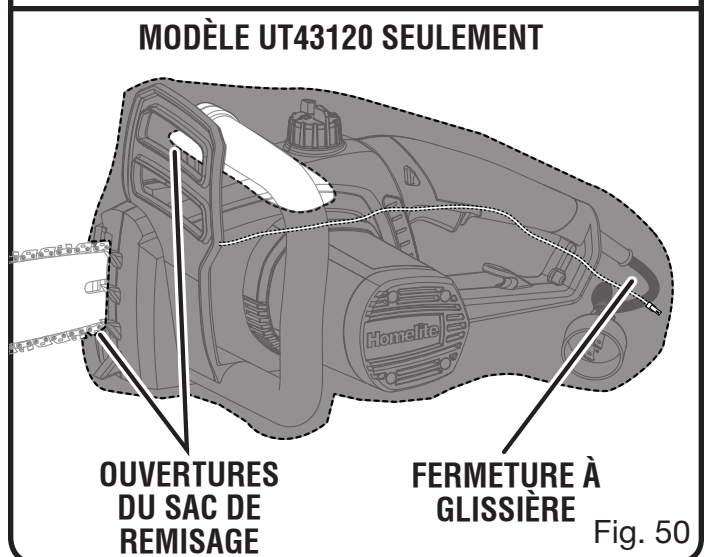


Fig. 50

enfants. La tenir à l'écart de produits corrosifs, tels que les produits chimiques de jardinage et le sel de dégivrage.

- **Modèle UT43120 seulement :** Toujours placer le fourreau sur le guide lors du transport ou du remisage de la scie. Veiller à ne pas se couper sur les dents de la chaîne.
- **Modèle UT43120 seulement :** Placer la scie à chaîne sac de remisage conformément à l'illustration avant de remiser ou avant transport.

COMBINAISONS DE GUIDE ET CHAÎNE

Caractéristiques de la chaîne : pas de 9,5 mm (0,375 po), dents bas profil à saut intégral, calibre de 13 mm (0,050 po)

Longueur du guide	N° de référence du guide	N° de référence de la chaîne	Maillons d'entraînement
14 po	310625001	901212001	52
16 po	310626001	901212002	56

DÉPANNAGE

Problème	Cause possible	Solution
Le guide et la chaîne chauffent et fument.	Regarder si la chaîne est trop tendue. Réservoir d'huile vide.	Tendre la chaîne. Voir Réglage de la tension de la chaîne plus haut dans ce manuel. Vérifier le niveau d'huile du réservoir.
Le moteur tourne, mais la chaîne ne se met pas en rotation.	Tension de la chaîne excessive. Vérifier l'ensemble guide et chaîne. S'assurer que l'ensemble guide et chaîne n'est pas endommagé.	Retendre la chaîne selon les instructions du chapitre Réglage de la tension de la chaîne , plus haut dans ce manuel. Voir Remplacement du guide et de la chaîne plus haut dans ce manuel. S'assurer que l'ensemble guide et chaîne n'est pas endommagé.
Le moteur tourne, la chaîne se met en rotation mais ne coupe pas.	Chaîne émoussée. Chaîne montée à l'envers.	Faire affuter la chaîne. Inverser le sens de la chaîne.
Le cadran de tension de la chaîne est difficile à tourner.	L'extrémité du guide-chaîne n'est pas surélevée. Le bouton de verrouillage du couvercle de l'embrayage est trop serré.	Soulever l'extrémité du guide-chaîne tout en tournant le cadran de réglage de la tension. Appuyer sur le bouton de verrouillage du couvercle de l'embrayage et le tourner dans le sens antihoraire afin de desserrer légèrement le couvercle de l'embrayage avant de tenter de régler la tension de la chaîne.



NOUS APPELER D'ABORD

Pour toute question concernant l'utilisation ou l'entretien de ce produit, appeler le service d'assistance téléphonique Homelite®.

Ce produit a été entièrement testé avant expédition pour assurer la complète satisfaction de l'utilisateur.

GARANTIE

DÉCLARATION DE GARANTIE LIMITÉE

Homelite Consumer Products, Inc. (« Homelite ») garantit à l'acheteur original au détail que ce produit de plein air de marque HOMELITE est exempt de tout vice de matériau ou de fabrication et s'engage à réparer ou remplacer, à discrétion, tout produit s'avérant défectueux au cours des périodes indiquées ci-dessous, à compter de la date d'achat.

- Deux ans pour tous les modèles utilisés à des fins personnelles, familiales ou domestiques ;
- 90 jours pour toute unité utilisée pour d'autres buts, telles que les activités locatives et commerciales.

Cette garantie n'est offerte qu'à l'acheteur original et entre en vigueur à la date de l'achat original.

Toute pièce de ce produit fabriqué ou fourni par Homelite et jugée, après évaluation raisonnable par Homelite, comme présentant des vices de matériau ou de fabrication, sera réparée ou remplacée par un centre de réparations agréé Homelite, sans frais de pièces ou de main-d'œuvre.

Le produit, y compris toutes les pièces défectueuses, devra être retourné à un centre de réparations agréé avant expiration de la période de garantie. Les frais d'expédition au centre de réparations et de retour au propriétaire du produit seront assumés par le propriétaire. En ce qui concerne les réclamations en garantie, la responsabilité de Homelite se limitera aux réparations ou au remplacement des pièces défectueuses et aucune réclamation au titre du non-respect de la garantie se pourra causer l'annulation ou la résiliation du contrat de vente d'un produit de marque HOMELITE quel qu'il soit. Une preuve d'achat sera exigée par le centre de réparation, afin de valider toute réclamation au titre de la garantie. Toutes les réparations sous garantie devront être effectuées par un centre de réparations agréé par Homelite.

La présente garantie sur tout produit Homelite utilisé à des fins locatives ou commerciales ou à tout autre usage lucratif sera limitée à quatre-vingt-dix (90) jours à compter de la date d'achat original au détail.

Cette garantie ne couvre pas les produits HOMELITE ayant fait l'objet d'un usage abusif ou négligent, d'un manque d'entretien, ayant été impliqués dans un accident ou employé de façon contraire aux instructions de ce manuel d'utilisation. Cette garantie ne couvre ni les dommages aux produits résultant d'un manque d'entretien, ni les produits qui ont été altérés ou modifiés. La garantie exclut les réparations rendues nécessaires par l'usure normale ou l'utilisation de pièces et accessoires incompatibles avec ce produit de marque HOMELITE ou nuisibles à son bon fonctionnement, ses performances ou sa durabilité. En outre, la présente garantie exclut :

A. Les réglages – bougies, carburateur, allumage, filtres.

B. Les consommables – boutons d'avance par choc, bobines externes, lignes de coupe, bobines internes, poulies et cordons de lanceur, courroies d'entraînement, dents, rondelles en feutre, axes d'attelage, lames de paillage, ventilateurs de soufflante, tubes de soufflage et d'aspiration, sacs à débris, guides, chaînes de scie.

Homelite se réserve le droit d'apporter des modifications ou améliorations à tout produit de marque Homelite sans obligation de modifier les produits fabriqués antérieurement.

LA DURÉE DE TOUTES GARANTIES IMPLICITES NE SAURAIT EN AUCUN CAS EXCÉDER LA PÉRIODE DE GARANTIE DÉCLARÉE. PAR CONSÉQUENT, TOUTES LES GARANTIES IMPLICITES, Y COMPRIS LES GARANTIES DE VALEUR MARCHANDE OU D'ADÉQUATION À UN USAGE PARTICULIER OU AUTRES SERONT INVALIDÉES À L'EXPIRATION DE LA PÉRIODE DE GARANTIE APPROPRIÉE DE DEUX ANS, UN AN OU QUATRE-VINGT-DIX JOURS. LES OBLIGATIONS DE HOMELITE DANS LE CADRE DE CETTE GARANTIE SE LIMITENT EXCLUSIVEMENT À LA RÉPARATION OU AU REMPLACEMENT DES PIÈCES DÉFECTUEUSES ET HOMELITE N'ASSUME, NI AUTORISE QUICONQUE À ASSUMER EN SON NOM, QUELQUE AUTRE OBLIGATION QUE CE SOIT. CERTAINS ÉTATS ET PROVINCES NE PERMETTANT PAS DE LIMITATION DE DURÉE DES GARANTIES IMPLICITES, LES RESTRICTIONS CI-DESSOUS PEUVENT NE PAS ÊTRE APPLICABLES. HOMELITE DÉCLINE TOUTE RESPONSABILITÉ EN CE QUI CONCERNE LES DOMMAGES DIRECTS, INDIRECTS OU AUTRES, Y COMPRIS, MAIS SANS S'Y LIMITER, LES FRAIS DE RETOUR DE CE PRODUIT À UN CENTRE DE RÉPARATION AGRÉÉ PAR HOMELITE ET DE RENVOI AU PROPRIÉTAIRE, DE DÉPLACEMENT D'UN TECHNICIEN, DE TÉLÉPHONE OU TÉLÉGRAMME, DE LOCATION D'UN PRODUIT SIMILAIRE PENDANT LA DURÉE DES RÉPARATIONS SOUS GARANTIE, DE DÉPLACEMENT, DE PERTES OU DOMMAGES À DES BIENS PERSONNELS, DE MANQUE À GAGNER, DE PERTE D'USAGE DU PRODUIT, DE PERTE DE TEMPS OU DE DÉRANGEMENT. CERTAINS ÉTATS ET PROVINCES NE PERMETTANT L'EXCLUSION OU LA LIMITATION DES DOMMAGES DIRECTS OU INDIRECTS, LES RESTRICTIONS CI-DESSOUS PEUVENT NE PAS ÊTRE APPLICABLES.

La présente garantie donne au consommateur des droits spécifiques, et celui-ci peut bénéficier d'autres droits, qui varient selon les états ou provinces.

Cette garantie couvre tous les produits de marque HOMELITE fabriqués par ou pour le compte de HOMELITE et vendus aux États-Unis ou au Canada.

Pour obtenir l'adresse du centre de réparations agréé par Homelite le plus proche, appeler le 1-800-242-4672 ou visiter notre site Internet à l'adresse www.homelite.com.

REGLAS DE SEGURIDAD GENERALES

ADVERTENCIA:

No intente utilizar esta unidad sin haber leído detenidamente y comprendido completamente todas las instrucciones, información de seguridad, etc. incluidas en este manual. El incumplimiento de lo anterior puede causar accidentes como incendios, descargas eléctricas o lesiones corporales graves.

LEA TODAS LAS INSTRUCCIONES

PRECAUCIONES BÁSICAS DE SEGURIDAD

- No comience a cortar sino hasta tener despejada el área de trabajo, bien firmes los pies y una trayectoria planeada de retirada de la caída del árbol. Las áreas de trabajo mal despejadas propician accidentes.
- Mantenga a TODOS los niños, circunstantes, visitantes y animales fuera del área de trabajo al arrancar la motosierra o al estar cortando con la misma.
- No utilice la motosierra en atmósferas explosivas, como las existentes alrededor de líquidos, gases y polvos inflamables. Las herramientas eléctricas generan chispas que pueden encender el polvo y los vapores inflamables.
- **ADVERTENCIA:** Use cordones de extensión para exteriores que lleven las marcas SW-A, SOW-A, STW-A, STOW-A, SJW-A, SJTW-A o SJTOWA. Estos cordones están aprobados para el uso en el exterior y reducen el riesgo de descargas eléctricas.
- Clavijas polarizadas. Las herramientas con aislamiento doble están equipadas de una clavija polarizada (una patilla es más ancha que la otra). Esta clavija encaja de una sola forma en una toma de corriente polarizada. Si la clavija no encaja completamente en la toma de corriente, invierta la clavija. Si aún así no encaja, comuníquese con un electricista calificado para que instale una toma de corriente adecuada. No modifique la clavija de ninguna manera.
- Asegúrese de que esté en buen estado el cordón de extensión. Al utilizar un cordón de extensión, utilice uno del suficiente calibre para soportar la corriente que consume el producto. Se recomienda que los conductores sean de calibre 13 (A.W.G.) por lo menos para un cordón de extensión de 15 metros (50 pies) de largo o menos. No se recomienda utilizar un cordón con más de 30 metros (100 pies) de largo. Si tiene dudas, utilice un cordón del calibre más grueso siguiente. Cuanto menor es el número de calibre, mayor es el grueso del cordón. Un cordón de un grueso insuficiente causa una caída en el voltaje de línea, y produce recalentamiento y pérdida de potencia.
- Inspeccione periódicamente los cordones de extensión, y si están dañados, permita que los repare un electricista calificado. Observe constantemente la ubicación del cordón eléctrico. El cumplimiento de esta norma reduce el riesgo de una descarga eléctrica o incendio.
- Póngase ropa ajustada. Siempre póngase pantalones largos gruesos, mangas largas, overoles, pantalones vaqueros o zahones (chaparreras) de material cortado resistente o que contengan partes incorporadas de tal material. Póngase calzado antideslizante. Póngase guantes antideslizantes para trabajo pesado con el fin de mejorar la sujeción de la unidad, y para protegerse las manos. No se ponga joyas, pantalones cortos o sandalias, ni ande descalzo. No se ponga ropa holgada, ya que puede ser atraída hacia adentro del motor o puede quedar atrapada en la cadena o en la maleza misma. Recójase el cabello de manera que le quede arriba del nivel de los hombros.
- La ropa protectora pesada puede aumentar la fatiga del operador, lo cual puede originar un golpe de calor. En climas cálidos y húmedos, el trabajo pesado debe programarse para las primeras horas de la mañana o las últimas horas de la tarde, cuando las temperaturas son más bajas.
- Al utilizar esta herramienta, póngase protección para los ojos con protección lateral con la marca de cumplimiento de la norma ANSI Z87.1, así como protección para la cabeza.
- En todo momento esté consciente de lo que está haciendo al utilizar la motosierra. Aplique el sentido común. No utilice la motosierra si está cansado, enfermo, o se encuentra bajo los efectos de alguna droga, alcohol o medicamento.
- No exponga la motosierra a la lluvia.
- No use la motosierra en lugares húmedos o mojados.
- Siempre tenga presente el cordón de extensión al utilizar la motosierra. Tenga precaución para evitar tropezarse con el cordón. El cordón debe estar lejos de la cadena y del operador todo el tiempo. Nunca porte la sierra sujetándola por el cordón eléctrico, ni tire del mismo para desconectarla de la toma de corriente. Mantenga el cordón eléctrico lejos del aceite y de todo borde afilado.
- Permanezca alerta y preste atención a lo que está haciendo. Actúe con sentido común al utilizar esta unidad.

REGLAS DE SEGURIDAD GENERALES

- Mantenga todas las partes del cuerpo alejadas de la cadena de la sierra cuando esté funcionando la unidad.
- Siempre porte la motosierra por el mango delantero, con la unidad desconectada y la barra guía y la cadena de la sierra por atrás. Al transportar la motosierra, use la funda correspondiente de la barra guía.
- Nunca permita utilizar la motosierra a quien no haya recibido instrucciones adecuadas sobre la forma correcta de emplear la unidad. Esto se aplica tanto a las sierras alquiladas como a las propias.
- Antes de arrancar la unidad, asegúrese de que la cadena no esté tocando ningún objeto.
- Apague la motosierra antes de ponerla en reposo.
- Para evitar un arranque accidental; nunca traslade la unidad con el dedo en el gatillo del interruptor.
- Dé mantenimiento con cuidado a la unidad. Mantenga afilado el filo de corte y límpielo para lograr un desempeño óptimo de la unidad y para reducir el riesgo de lesiones. Siga las instrucciones para la lubricación y el cambio de accesorios.
- Mantenga los mangos secos, limpios y sin aceite ni grasa.
- ¡No maneje la motosierra con una sola mano! Sujete firmemente los mangos de la motosierra, rodeándolos con los pulgares y los dedos restantes. Si se maneja con una sola mano la unidad, pueden resultar lesionados el operador, los ayudantes y demás personas presentes. La motosierra está hecha para ser manejada con las dos manos.
- Evite tocar con el cuerpo objetos conectados a tierra, como los tubos de metal y las cercas de alambre. Existe un mayor riesgo de descargas eléctricas si su cuerpo está en contacto con tierra.
- No utilice la motosierra si está dañada, mal ajustada o no está armada completamente y de manera que funcione de forma segura. La cadena debe aminorar la velocidad hasta detenerse completamente al soltarse el gatillo del interruptor. Si la cadena continúa desplazándose al soltarse el gatillo del interruptor, permita que presten servicio a la unidad en el establecimiento de servicio de productos Homelite de su preferencia.
- Inspeccione para ver si hay piezas dañadas. Verifique la alineación de las partes móviles, que no haya atoramiento de partes móviles, que no haya piezas rotas, el montaje de las piezas y cualquier otra condición que pudiera afectar su funcionamiento. Cualquier protección o pieza que esté dañada debe ser reparada o reemplazada en un establecimiento de servicio autorizado, a menos que se indique otra cosa en este manual.
- Todas las tareas de servicio de la motosierra no señaladas en los apartados sobre funcionamiento y mantenimiento deben ser efectuados en el establecimiento de servicio de productos Homelite de su preferencia.
- Siempre mantenga una postura correcta.
- No utilice la motosierra si el interruptor no enciende o no apaga. Lleve todo interruptor defectuoso a un centro de servicio autorizado para que lo reparen.
- No adapte la cabeza motriz de la sierra a ningún arco tipo sierra de mano, ni la use para accionar ningún accesorio o dispositivo no especificado para la sierra.
- Desconecte la motosierra del suministro de corriente cuando no la use, antes de darle servicio, al efectuarle ajustes y cambiarle aditamentos, como la cadena y la protección.
- No corte enredaderas ni maleza pequeña.
- No utilice ninguna motosierra subido en un árbol, en una escalera o en un andamio; es extremadamente peligroso.
NOTA: El tamaño del área de trabajo depende de la tarea, así como del tamaño del árbol o pieza de trabajo. Por ejemplo, para talar un árbol se requiere un área de trabajo más grande que para troncarlo.
- Tenga extrema precaución al cortar broza pequeña y árboles jóvenes, ya que el material pequeño puede quedar atrapado en la cadena de la sierra y puede latigear hacia usted o desequilibrarlo.
- Al cortar una rama que esté bajo tensión, permanezca alerta al impulso de regreso de la misma, de manera que no le pegue cuando se libere la tensión presente en las fibras de la madera.
- No fuerce la motosierra. La herramienta efectúa el trabajo mejor y de manera más segura si se maneja a la velocidad para la que está diseñada.
- Siempre utilice la herramienta adecuada a la tarea. La motosierra sólo debe emplearse para cortar madera. Nunca utilice la motosierra para cortar plástico, obras de albañilería ni materiales de construcción que no sean madera.
- No use la motosierra para usos no indicados en las instrucciones.
- Guarde la motosierra cuando no esté usándola. Debe guardarse la motosierra en un lugar seco y alto o cerrado con llave, lejos del alcance de los niños. Al guardar la motosierra coloque la funda en la barra y la cadena, y guarde la unidad en el estuche.

REGLAS DE SEGURIDAD GENERALES

■ **Guarde estas instrucciones.** Consúltelas con frecuencia y empléelas para instruir a otras personas

que puedan utilizar esta producto. Si presta a alguien esta producto, facilítele también las instrucciones.

⚠ **ADVERTENCIA:**

Algunos polvos generados al efectuarse operaciones de lijado, aserrado, esmerilado, taladrado y de otros tipos en la construcción, contienen sustancias químicas sabidas causantes de cáncer, defectos congénitos y otras afecciones del aparato reproductor. Algunos ejemplos de estas sustancias químicas son:

- plomo de las pinturas a base de plomo,
- silicio cristalino de los ladrillos, del cemento y de otros productos de albañilería, y
- arsénico y cromo de la madera químicamente tratada.

El riesgo de la exposición a estos compuestos varía, según la frecuencia con que se realice este tipo de trabajo. Para reducir la exposición personal a este tipo de compuestos: Trabaje en áreas bien ventiladas, y con equipo de seguridad aprobado, tal como las caretas para el polvo especialmente diseñadas para filtrar partículas microscópicas.

CONTRAGOLPE

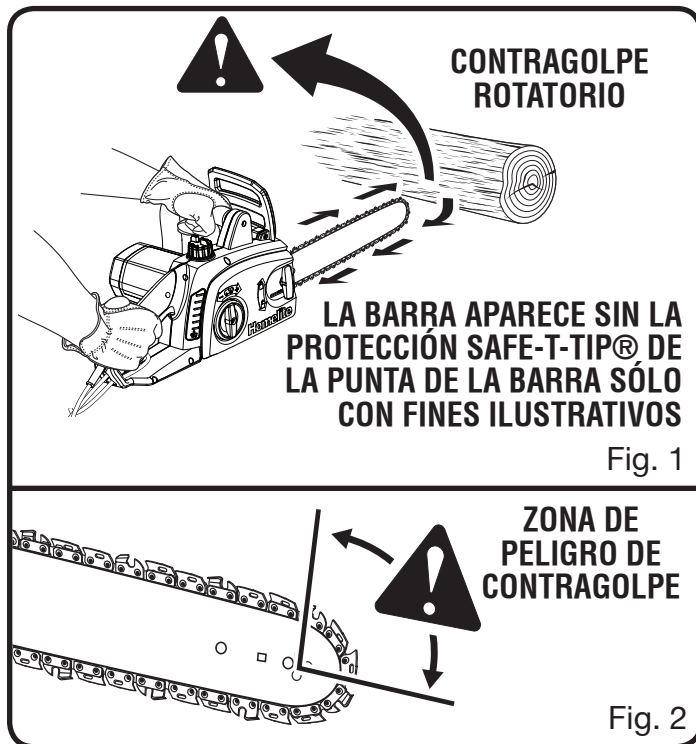
Vea las figuras 1 y 2.

⚠ **ADVERTENCIA:**

El contragolpe ocurre cuando la cadena en movimiento hace contacto con un objeto en la parte superior de la punta de la barra, o cuando la madera se cierra y pellizca la cadena de la sierra en el punto de corte. El contacto de la parte superior de la punta de la barra con la madera puede causar que la cadena se clave en el material y se detenga instantáneamente. El resultado es una reacción súbita en dirección inversa, la cual lanza la barra guía hacia arriba y hacia atrás, en la dirección donde se encuentra el operador. Si la cadena de la sierra se pellizca en el corte, a lo largo de la parte superior de la barra guía, puede causarse un rápido empuje de dicha barra hacia atrás, en la dirección donde se encuentra el operador. Cualquiera de estas dos reacciones puede originar una pérdida de control, la cual a su vez podría ser causa de lesiones serias. No dependa exclusivamente de los dispositivos de seguridad incorporados en la sierra. Como usuario de una motosierra, debe tomar varias medidas para evitar accidentes y lesiones en todos sus trabajos de corte.

■ **Deben seguirse las siguientes medidas de precaución para reducir al mínimo el contragolpe:**

1. Siempre sujete firmemente la sierra con ambas manos. Sujete la sierra firmemente con ambas manos cuando esté encendida. Coloque la mano derecha en el mango trasero y la izquierda en el mango delantero, rodeando ambos con los



pulgares y los dedos restantes. Una sujeción firme con el brazo izquierdo rígido le ayuda a mantener el control de la sierra si ésta llega a dar un contragolpe.

2. Asegúrese de que no haya obstrucciones en el área donde esté cortando. No permita que la punta de la barra guía entre en contacto con ningún tronco, rama, cerca, o cualquier otra obstrucción a la que le pueda pegar al estar operando la sierra.
3. Siempre corte con la unidad funcionando. Oprima completamente el gatillo del interruptor y mantenga la velocidad de corte.

REGLAS DE SEGURIDAD GENERALES

4. Utilice piezas de repuesto como la cadena de bajo contragolpe, la protección anticontragolpe SAFE-T-TIP® de la punta y las barras guía especiales, los cuales reducen los riesgos relacionados con el contragolpe rotatorio. Sólo use las barras guía y las cadenas de contragolpe moderado de repuesto especificadas por el fabricante para su sierra en particular.

- Con un conocimiento básico del contragolpe de la sierra, puede reducir o incluso eliminar el elemento sorpresa. La sorpresa súbita contribuye a los accidentes.
- Mantenga una postura firme y buen equilibrio en todo momento.
- No trate de cortar objetos fuera de su alcance, ni arriba de la altura de los hombros.
- Mantenga la protección anticontragolpe SAFE-T-TIP® de la punta de la barra guía debidamente montada en ésta para evitar el contragolpe rotatorio.
- Siga las instrucciones de afilado y mantenimiento correspondientes a la cadena de la sierra.
- Empujón y tirón - Esta fuerza de reacción es siempre opuesta a la dirección en que está moviéndose la cadena donde hace contacto con la madera. Así, el operador debe estar preparado para controlar el TIRÓN al cortar por el borde inferior de la barra guía, y el EMPUJÓN al cortar por el borde superior de dicha barra. *Vea la figura 3.*

EXPLICACIÓN DE LOS DISPOSITIVOS DE SEGURIDAD DE LA MOTOSIERRA

Vea la figura 4.

SAFE-T-TIP® DE LA PUNTA

La protección SAFE-T-TIP® evita el contragolpe rotatorio ya que cubre la punta de la barra, donde se genera el contragolpe. Nunca intente ninguna tarea de corte para la cual tuviera que desmontar la protección SAFE-T-TIP® de la punta de la barra.

CADENA DE SIERRA DE CONTRAGOLPE MODERADO

Los dientes limpiadores (calibres de profundidad) situados delante de cada diente de corte pueden reducir al mínimo la fuerza de la reacción de contragolpe al evitar que los dientes de corte se introduzcan demasiado profundamente en la zona de contragolpe. Sólo use una cadena de repuesto que equivalga a la cadena original o que esté certificada como cadena de contragolpe moderado según la norma ANSI B175.1.

La cadena de contragolpe moderado (diente de salto) es una cadena que satisface los requisitos relativos

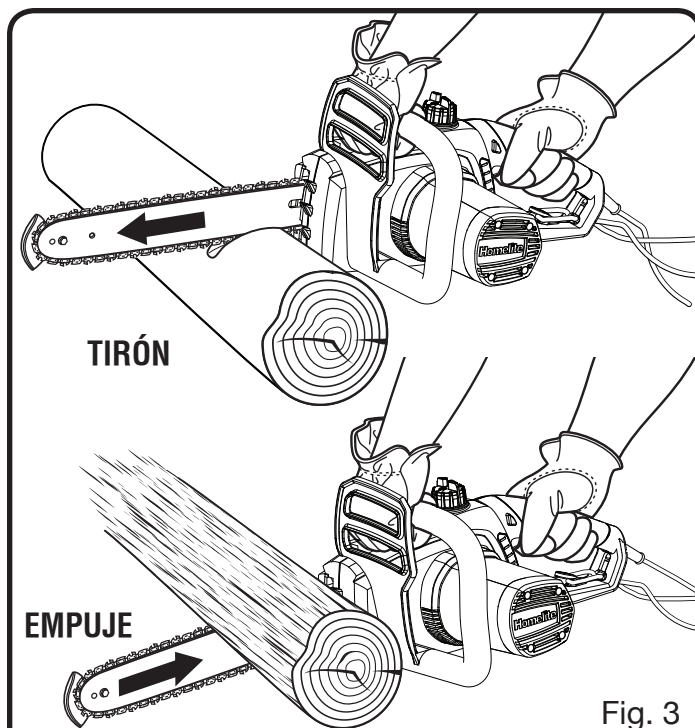


Fig. 3

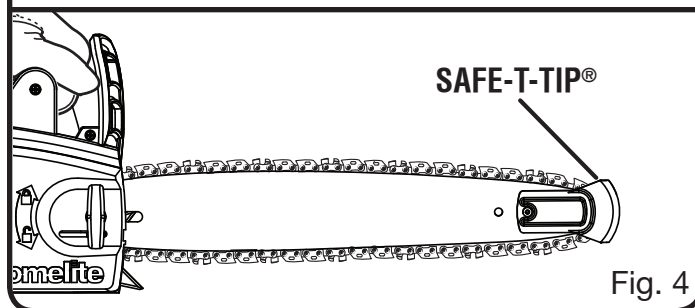


Fig. 4

al nivel de contragolpe estipulados en la norma ANSI B175.1 - 1991 (Norma nacional americana para herramientas motorizadas - Requisitos de seguridad para sierras de cadena de gasolina) al probarse en una muestra representativa de las sierras de cadena abajo del nivel 3,8 c.i.d. especificado en la norma ANSI B175.1 - 1991.

A medida que las cadenas de sierra se afilan durante su vida de servicio, pierden algo de su capacidad de disminución del contragolpe y debe tenerse mayor precaución.














BARRAS GUÍA

En general, las barras guía con puntas de radio pequeño tienen una capacidad de disminución del contragolpe un poco menor.

Al efectuar un remplazo, asegúrese de pedir una de las barras Homelite indicadas para su sierra en particular en este manual del operador. En la punta de la barra viene montada la protección SAFE-T-TIP® del tamaño adecuado. Sólo utilice barras guía que permitan montarles la protección SAFE-T-TIP®.




SÍMBOLOS

Es posible que se empleen en este producto algunos de los siguientes símbolos. Le suplicamos estudiarlos y aprender su significado. Una correcta interpretación de estos símbolos le permitirá utilizar mejor y de manera más segura la producto.

SÍMBOLO	NOMBRE	DENOMINACIÓN / EXPLICACIÓN
	Alerta de seguridad	Indica un peligro posible de lesiones personales.
	Lea el manual del operador	Para reducir el riesgo de lesiones, el usuario debe leer y comprender el manual del operador antes de usar este producto.
	Póngase protección para los ojos y la cabeza	Siempre póngase protección ocular con protección lateral con la marca de cumplimiento de la norma ANSI Z87.1, así como protección para la cabeza.
	Alerta de condiciones húmedas	Do not expose to rain or use in damp locations.
	Protección SAFE-T-TIP de la punta	La protección SAFE-T-TIP de la punta de la barra guía ayuda a evitar un contragolpe de la sierra.
	Use las dos manos	Sujete y opere la sierra debidamente con ambas manos.
	Con una mano	No maneje la motosierra con una sola mano.
	Contragolpe	¡PELIGRO! Esté alerta de un posible contragolpe.
	Contacto de la punta de la barra con el material	Evite el contacto del material con la punta de la barra.
	Póngase guantes	Al manejar la motosierra póngase guantes protectores antideslizantes de uso pesado.
	Póngase calzado de seguridad	Cuando utilice este equipo póngase zapatos de seguridad antideslizantes.
	Mantenga alejadas a las personas presentes	Mantenga a todos los circunstantes y animales a una distancia mínima de 15 metros (50 pies).
V	Voltios	Voltaje
A	Amperios	Corriente
Hz	Hertz	Frecuencia (ciclos por segundo)
W	Watt	Potencia
min	Minutos	Tiempo
~	Corriente alterna	Tipo de corriente
==	Corriente continua	Tipo o característica de corriente
n_0	Velocidad en vacío	Velocidad de rotación, en vacío
	Fabricación Clase II	Fabricación con doble aislamiento
.../min	Por minuto	Revoluciones, carreras, velocidad superficial, órbitas, etc., por minuto

SÍMBOLOS

Las siguientes palabras de señalización y sus significados tienen el objeto de explicar los niveles de riesgo relacionados con este producto.

SÍMBOLO	SEÑAL	SIGNIFICADO
	PELIGRO:	Indica una situación peligrosa inminente, la cual, si no se evita, causará la muerte o lesiones serias.
	ADVERTENCIA:	Indica una situación peligrosa posible, la cual, si no se evita, podría causar la muerte o lesiones serias.
	PRECAUCIÓN:	Indica una situación peligrosa posible, la cual, si no se evita, podría causar lesiones menores o leves.
	PRECAUCIÓN:	(Sin el símbolo de alerta de seguridad.) Indica una situación que puede producir daños materiales.

SERVICIO

El servicio de la herramienta requiere extremo cuidado y conocimientos técnicos, por lo cual sólo debe ser efectuado por un técnico de servicio calificado. Para dar servicio a la herramienta, le sugerimos llevarla al **CENTRO DE SERVICIO AUTORIZADO** de su preferencia para que la reparen. Al dar servicio a la unidad, sólo utilice piezas de repuesto idénticas.

ADVERTENCIA:

Para evitar lesiones corporales serias, no intente utilizar este producto sin haber leído y comprendido totalmente el manual del operador. Si no comprende los avisos de advertencia y las instrucciones del manual del operador, no utilice este producto. Llame al departamento de atención al consumidor de Homelite, y le brindaremos asistencia.

ADVERTENCIA:



No permita que su familiarización con este producto lo vuelva descuidado. Tenga presente que un descuido de un instante es suficiente para causar una lesión grave.

GUARDE ESTAS INSTRUCCIONES

ASPECTOS ELÉCTRICOS

DOBLE AISLAMIENTO

El doble aislamiento es una característica de seguridad de las herramientas eléctricas, la cual elimina la necesidad de usar el típico cordón eléctrico de tres conductores con conexión a tierra. Todas las partes metálicas expuestas están aisladas de los componentes metálicos internos del motor por medio de aislamiento de protección. No es necesario conectar a tierra las herramientas con doble aislamiento.

⚠️ ADVERTENCIA:

El sistema de doble aislamiento está destinado a proteger al usuario contra las descargas eléctricas resultantes de la ruptura del aislamiento interno de la herramienta. Observe todas las precauciones de seguridad para evitar descargas eléctricas.

NOTA: El mantenimiento de una herramienta con doble aislamiento requiere sumo cuidado y conocimiento del sistema, y únicamente deben realizarlo técnicos de servicio calificados. Para dar servicio a la herramienta, le sugerimos llevarla al Centro de Servicio Autorizado de su preferencia para que la reparen. Siempre utilice piezas de repuesto de la fábrica original al dar servicio a la unidad.

CONEXIÓN ELÉCTRICA

Este producto dispone de un motor eléctrico fabricado con precisión. Debe conectarse únicamente a un suministro de corriente de **120 V, sólo corr. alt. (corriente normal para uso doméstico), 60 Hz.** No utilice este producto con corriente continua (corr. cont.). Una caída considerable de voltaje causa una pérdida de potencia y el recalentamiento del motor. Si el producto no funciona al conectarlo en una toma, vuelva a verificar el suministro de corriente.

CORDONES DE EXTENSIÓN

Vea la figura 5.

Al utilizar una herramienta eléctrica a una distancia considerable de la fuente de corriente, asegúrese de utilizar un cordón de extensión con la suficiente capacidad para soportar la corriente de consumo del producto. Un cordón de un calibre insuficiente causa una caída en el voltaje de línea, la cual a su vez produce recalentamiento y pérdida de potencia. Básese en la tabla suministrada para determinar el grueso mínimo requerido del cordón de extensión. Solamente deben utilizarse cordones con forro redondo registrados en Underwriter's Laboratories (UL).

Al trabajar a la intemperie con un producto, utilice un cordón de extensión fabricado para uso en el exterior. Este tipo de cordón lleva las letras "W-A" o "W" en el forro.

Antes de utilizar un cordón de extensión, inspecciónelo para ver si tiene conductores flojos o expuestos y aislamiento cortado o gastado.

Hay un cordón de extensión adecuado disponible en un centro de servicio autorizado.

Se puede hacer un nudo para atar el cordón de extensión y el cordón eléctrico para impedir que se desconecten durante el uso. Ate el nudo como se muestra en la figura 5, luego conecte el extremo de la clavija del cordón eléctrico en el extremo del receptáculo del cordón de extensión. Este método también se puede usar para atar dos cordones de extensión.

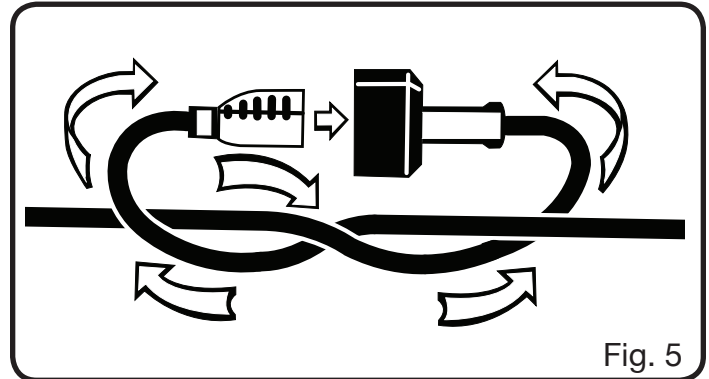


Fig. 5

**Amperaje (aparece en la placa de datos del producto)

Longitud del cordón	Calibre conductores (A.W.G.)					
	0-2,0	2,1-3,4	3,5-5,0	5,1-7,0	7,1-12,0	12,1-16,0
25'	16	16	16	16	14	14
50'	16	16	16	14	14	12
100'	16	16	14	12	10	—

**Se usa en los circuitos de calibre 12, de 20 A.

NOTA: AWG = Calibre conductores norma americana

⚠️ ADVERTENCIA:

Mantenga el cordón de extensión fuera del área de trabajo. Al trabajar con una herramienta eléctrica, coloque el cordón de tal manera que no pueda enredarse en la madera, herramientas o ninguna obstrucción. La inobservancia de esta advertencia puede causar lesiones corporales serias.

⚠️ ADVERTENCIA:

Inspeccione los cordones de extensión antes de cada uso. Si están dañados reemplácelos de inmediato. Nunca utilice el producto con un cordón dañado, ya que si toca la parte dañada puede producirse una descarga eléctrica, y las consecuentes lesiones serias.

GLOSARIO DE TÉRMINOS

Protección de la punta de la barra

Es un accesorio que puede suministrarse montado en el extremo de la barra guía, y cuyo objetivo es evitar que la cadena toque la madera en el extremo de la barra guía.

Tronzado

Es el proceso de cortar transversalmente un árbol o tronco talado en tramos.

Cabeza motriz de la motosierra

Es la motosierra sin la cadena de aserrar ni la barra guía.

Embrague

Es un mecanismo para conectar y desconectar del mecanismo impulsor el mecanismo impulsado.

Rueda dentada de impulsión

Es la pieza dentada que impulsa la cadena de la sierra.

Tala

Es el proceso de cortar un árbol para derribarlo.

Corte trasero de tala

Es el corte final de la operación de tala de un árbol, el cual se efectúa en el lado opuesto al del corte de muescado.

Protector delantero de la mano

Es una barrera protectora estructural situada entre el mango delantero de una motosierra y la barra guía, normalmente localizada cerca de la posición de la mano en el mango delantero, y algunas veces se emplea como palanca de activación del freno de la cadena.

Mango delantero

Es el mango de soporte situado en la parte frontal de la motosierra, o en esa dirección. Este mango es para la mano izquierda.

Barra guía

Es una estructura sólida con un riel, la cual sirve para sostener y guiar la cadena de la sierra.

Contragolpe

Es el movimiento de la barra guía hacia atrás o hacia arriba, o ambos, el cual ocurre cuando la cadena de aserrar, cerca de la parte superior de la punta de la barra guía, toca cualquier objeto como un tronco o rama, o cuando la madera se cierra y pellizca la cadena en la abertura del corte.

Contragolpe por pellizco

Es el rápido empuje de la sierra hacia atrás, el cual puede ocurrir cuando la madera se cierra y pellizca la cadena en movimiento en el corte a lo largo de la parte superior de la barra guía.

Contragolpe rotatorio

Es el movimiento rápido de la sierra hacia arriba y hacia atrás, el cual puede ocurrir cuando la cadena en

movimiento, cerca de la parte superior de la punta de la barra guía, toca un objeto como un tronco o una rama.

Cadena de contragolpe moderado

Es una cadena que cumple con los requisitos relativos al nivel de contragolpe estipulados en la norma ANSI B175.1 al probarse en una muestra representativa de las sierras de cadena.

Posición normal de corte

Son aquellas posiciones adoptadas para efectuar los cortes de tronzado y de tala de árboles.

Corte de muescado

Es un corte en forma de muesca efectuado para dirigir la caída del árbol.

Control del lubricador

Es un sistema cuyo objetivo es aceitar la barra guía y la cadena de la sierra.

Mango trasero

Es el mango de soporte situado en la parte trasera de la motosierra, o en esa dirección. Es donde normalmente está alojado el acelerador. Este mango es para la mano derecha.

Barra guía de contragolpe reducido

Es una barra guía la cual se ha demostrado que reduce el contragolpe de manera notable.

Cadena de repuesto de la sierra

Es una cadena que cumple con los requisitos relativos al nivel de contragolpe estipulados en la norma ANSI B175.1 al probarse con ciertas sierras de cadena en particular. Es posible que no cumpla con los requisitos de desempeño de la norma ANSI al emplearse con otras sierras.

Cadena de aserrado

Es una cadena en forma de collar, con dientes de corte para cortar madera, la cual es impulsada por un motor y está soportada por la barra guía.

Tope dentado (diente)

Es el diente (o dientes) puntiagudo(s) empleado al talar o tronzar, para pivotar la sierra y mantener la postura al aserrar.

Interruptor

Es un dispositivo que al accionarse abre o cierra el circuito de la corriente eléctrica del motor de la motosierra.

Mecanismo articulado del interruptor

Es el mecanismo que transmite el movimiento del gatillo al interruptor.

Seguro de apagado del interruptor

Es un seguro móvil que si no se acciona manualmente, impide una opresión involuntaria del interruptor.

CARACTERÍSTICAS

ESPECIFICACIONES DEL PRODUCTO

UT43100

Longitud de la barra356 mm (14 pulg.)
 Paso de la cadena..... 9,5 mm (0,375 pulg.)
 Calibre de la cadena.....1,27 mm (0,050 pulg.)
 Tipo de cadena.....Dientes de bajo perfil
 de garganta ancha grande
 Rueda dentada de impulsión De 7 dientes
 Corriente de entrada 120 V, sólo corr. alt., 60 Hz, 9 A
 Capacidad del tanque de
 lubricante de la cadena..... 177 ml (6 oz.)
 Peso - Sin barra, cadena o lubricante..3,5 kg (7,8 lb.)

UT43120

Longitud de la barra406 mm (16 pulg.)
 Paso de la cadena..... 9,5 mm (0,375 pulg.)
 Calibre de la cadena..... 1,27 mm (0,050 pulg.)
 Tipo de cadena.....Dientes de bajo perfil
 de garganta ancha grande
 Rueda dentada de impulsión De 7 dientes
 Corriente de entrada 120 V, sólo corr. alt.,
 60 Hz, 12 A
 Capacidad del tanque de aceite
 de la cadena..... 177 ml (6 oz.)
 Peso - Sin barra, cadena o lubricante..3,9 kg (8,5 lb.)

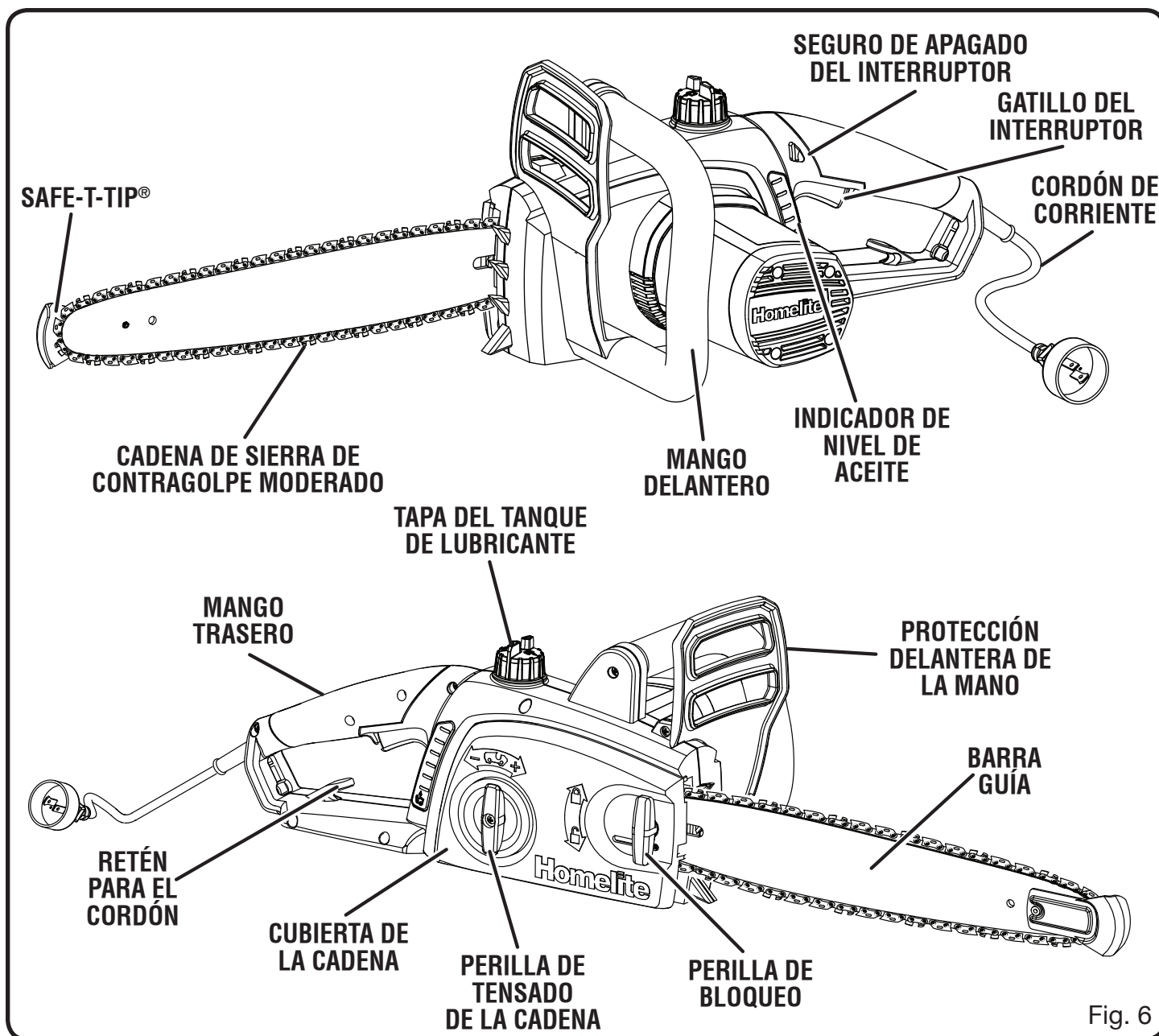


Fig. 6

CARACTERÍSTICAS

FAMILIARÍCESE CON LA MOTOSIERRA

Vea la figura 6.

Para usar este producto con la debida seguridad se debe comprender la información indicada en la herramienta misma y en este manual, y se debe comprender también el trabajo que intenta realizar. Antes de usar este producto, familiarícese con todas las características de funcionamiento y normas de seguridad del mismo.

PERILLA DE TENSADO DE LA CADENA

Esta pieza permite ajustar la tensión de la cadena.

BARRA GUÍA

La barra guía instalada en la fábrica dispone de una punta de radio pequeño, la cual ofrece una capacidad de disminución del contragolpe un poco menor.

CADENA DE SIERRA DE CONTRAGOLPE MODERADO

La cadena de contragolpe moderado de la sierra reduce al mínimo la fuerza de la reacción de

contragolpe al evitar que los dientes de corte se introduzcan demasiado profundamente en la zona de contragolpe.

INDICADOR DE NIVEL DE ACEITE

Es un tanque semitransparente de aceite que permite ver cuándo reabastecerlo de aceite.

PROTECCIÓN ANTICONTRAGOLPE SAFE-T-TIP® DE LA PUNTA

La punta anticontragolpe SAFE-T-TIP® de la punta es un aditamento montado en el extremo de la barra guía cuyo objeto es evitar que la parte de la cadena situada en el extremo de la barra guía toque la madera.

SEGURO DE APAGADO DEL INTERRUPTOR

Es una característica de control cuyo fin es evitar un arranque accidental del motor.

GATILLO DEL INTERRUPTOR

Para accionar la unidad después de ponerse el seguro de apagado del interruptor, oprima el gatillo. Para detener la unidad, suelte el gatillo.

ARMADO

DESEMPAQUETADO

Embarcamos este producto completamente armado.

- Extraiga cuidadosamente de la caja la producto y los accesorios. Asegúrese de que estén presentes todos los artículos enumerados en la lista de empaque.

ADVERTENCIA:

No utilice este producto si alguna pieza incluida en la lista de piezas sueltas (o lista de empaquetado) ya está ensamblada al producto cuando lo desempaqueta. El fabricante no ensambla las piezas de esta lista en el producto. Éstas deben ser instaladas por el usuario. El uso de un producto que puede haber sido ensamblado de forma inadecuada podría causar lesiones personales graves.

- Inspeccione cuidadosamente la producto para asegurarse de que no haya sufrido ninguna rotura o daño durante el transporte.

- No deseche el material de empaque hasta que haya inspeccionado cuidadosamente la producto y la haya utilizado satisfactoriamente.
- Si hay piezas dañadas o faltantes, le suplicamos llamar al 1-800-242-4672, donde le brindaremos asistencia.

LISTA DE EMPAQUETADO

Motosierra

Funda (Modelo UT43120 solamente)

Bolsa (Modelo UT43120 solamente)

Manual del operador

ADVERTENCIA:

Si falta o está dañada alguna pieza, no utilice este producto sin haber reemplazado la pieza. Usar este producto con partes dañadas o faltantes puede causar lesiones serias al operador.

ARMADO

⚠️ ADVERTENCIA:

No intente modificar este producto ni hacer accesorios no recomendados para la misma. Cualquier alteración o modificación constituye maltrato el cual puede causar una condición peligrosa, y como consecuencia posibles lesiones corporales serias.

⚠️ ADVERTENCIA:

No conecte la unidad al suministro de corriente sin haber terminado de armarla. De lo contrario la unidad puede ponerse en marcha accidentalmente, con el consiguiente riesgo de lesiones corporales serias.

FUNCIONAMIENTO

⚠️ PELIGRO:

Nunca utilice cerca de líneas de corriente o de otras fuentes eléctricas. El contacto con líneas de corriente u otras fuentes eléctricas puede producir la muerte por electrocución o lesiones serias.

⚠️ ADVERTENCIA:

No permita que su familiarización con este producto lo vuelva descuidado. Tenga presente que un descuido de un instante es suficiente para causar una lesión grave.

⚠️ ADVERTENCIA:

Siempre póngase protección ocular con protección lateral con la marca de cumplimiento de la norma ANSI Z87.1, así como protección para los oídos y la cabeza. La inobservancia de esta advertencia puede permitir que los objetos lanzados hacia los ojos y otros provocarle lesiones graves.

⚠️ ADVERTENCIA:

No utilice ningún aditamento o accesorio no recomendado por el fabricante de este producto. El empleo de aditamentos o accesorios no recomendados podría causar lesiones serias.

APLICACIONES

Este producto puede emplearse para los fines enumerados abajo:

- Operaciones básicas de desramado, tala y corte de madera
- Eliminación de raíces zancas

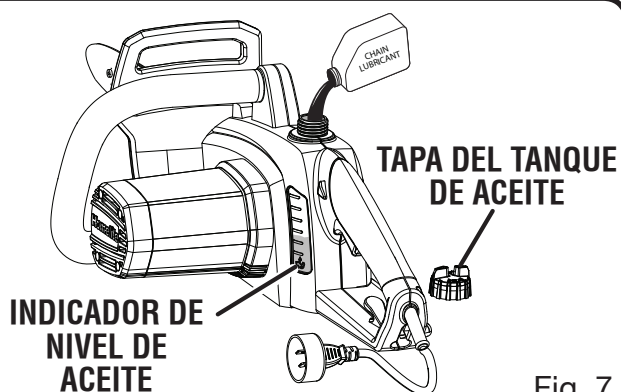


Fig. 7

ABASTECIMIENTO DE LUBRICANTE PARA LA BARRA Y LA CADENA

Vea la figura 7.

Use lubricante HOMELITE para barra y cadena. Está diseñado para las cadenas y los sistemas de lubricación de las mismas, y está formulado para desempeñarse en una amplia gama de temperaturas sin requerir ninguna dilución.

NOTA: La cadena viene de la fábrica con la barra y la cadena sin aceitar. También se debe verificar el nivel después de cada 20 minutos de uso y reabastecerlo según sea necesario.

- Retire la tapa del tanque de aceite de la cadena.
- Cuidadosamente vierta el aceite para la barra y la cadena en el tanque correspondiente.
- Limpie el aceite sobrante.
- Revise el tanque de aceite y reabastézcalo cuando el indicador de nivel esté abajo de la penúltima línea indicadora.
- Repita el proceso según sea necesario.

NOTA: No use aceite sucio, usado o contaminado de ninguna forma. Puede dañarse la barra o la cadena.

FUNCIONAMIENTO

NOTA: Es normal que el aceite se escurra de la sierra cuando no está ésta en uso. Para evitar el escurrimiento, vacíe el tanque de aceite cada vez después de usar la unidad y después póngalo a funcionar durante un minuto. Al guardar la unidad durante un largo período de tiempo (tres meses o más), asegúrese de lubricar ligeramente la cadena; de esta manera se evita la oxidación de la cadena y de la rueda dentada de la barra.

CONEXIÓN AL SUMINISTRO DE CORRIENTE

Vea la figura 8.

Esta motosierra dispone de un gancho para el cordón de extensión, el cual evita que se afloje el cordón en el enchufe de la unidad si aquél experimenta un tirón.

- Forme una lazada con el extremo del cordón de extensión.
- Introduzca la lazada del cordón de extensión por la abertura situada en el costado del mango trasero y colóquela en el gancho para el cordón.
- Lentamente tire de la lazada contra el gancho hasta eliminar toda holgura.
- Conecte la motosierra con la cordón de extensión.

NOTA: Si no elimina la holgura del cordón de extensión alrededor del gancho podría aflojarse la clavija en el receptáculo.

ENCENDIDO Y APAGADO DE LA MOTOSIERRA

Vea la figura 9.

ADVERTENCIA:

Mantenga el cuerpo a la izquierda del plano de la cadena. Nunca se coloque a horcajadas por encima de la sierra o de la cadena, ni incline el cuerpo a través del plano de la cadena.

Encendido de la motosierra:

- Asegúrese tensión de la cadena está en el ajuste deseado. Consulte **Ajuste de la Tensión de la Cadena** la sección de *Mantenimiento*.
- Asegúrese tapa del cadena de perilla de bloqueo es apretado a la tapa del cadena.
- Asegúrese de que no haya en la zona inmediata ningún objeto u obstrucción que pueda tocar la barra y la cadena.
- Oprima y no suelte el seguro de apagado del interruptor. De esta manera puede accionarse el gatillo del interruptor.
- Oprima y no suelte el gatillo del interruptor, suelte el seguro del interruptor y continúe oprimiendo el gatillo para mantener funcionando la unidad.

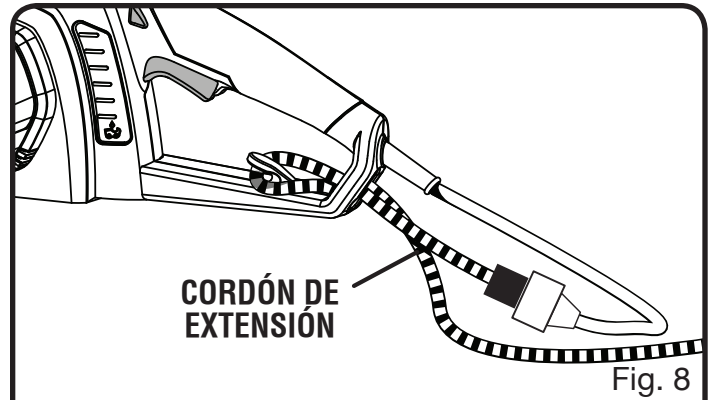


Fig. 8

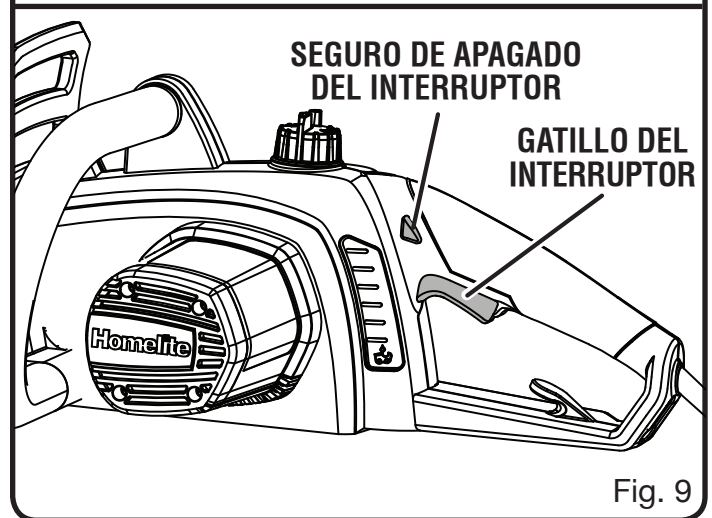


Fig. 9

Apagado de la motosierra:

NOTA: Es normal que la cadena siga desplazándose por inercia después de soltar el gatillo del interruptor.

- Suelte el gatillo cuando desee apagar la motosierra.
- Al soltar el gatillo, el seguro de apagado del interruptor regresa automáticamente a la posición de inmovilización de este último.

PREPARACIÓN PARA EL CORTE

SUJECIÓN CORRECTA DE LOS MANGOS

Vea la figura 10.

Consulte el apartado *Reglas de seguridad generales*, donde encontrará información sobre el equipo de seguridad adecuado.

- Póngase guantes antideslizantes para lograr una capacidad de sujeción y protección máximas.
- Sujete la sierra firmemente con ambas manos. Siempre mantenga la mano izquierda en el mango delantero y la mano derecha en el mango trasero, de manera que su cuerpo quede a la izquierda del plano de la cadena.

FUNCIONAMIENTO

⚠️ ADVERTENCIA:

Nunca sujete la unidad con la posición de las manos intercambiada, ni con el cuerpo en ninguna postura que pueda colocar el mismo o el brazo a través del plano de la cadena.

- Mantenga una sujeción adecuada de la sierra siempre que esté funcionando el motor. Los dedos deben rodear el mango, con el pulgar doblado bajo la barra del mismo. Esta forma de sujeción es la que tiene menor probabilidad de fallar por un contragolpe o cualquier otra reacción súbita de la sierra. Cualquier forma de sujeción en la cual el pulgar y los dedos restantes están en el mismo lado del mango es peligrosa, debido a que incluso un contragolpe leve de la sierra puede originar la pérdida del control.

⚠️ ADVERTENCIA:

NO accione el gatillo del interruptor con la mano izquierda, sujetando el mango delantero con la mano derecha. Nunca permita que ninguna parte del cuerpo cruce el plano de la cadena mientras esté funcionando la sierra.



POSTURA CORRECTA PARA EL CORTE

Vea la figura 11.

- Su peso debe quedar distribuido de forma equilibrada con ambos pies en suelo firme.
- Mantenga el brazo izquierdo con el codo rígido en posición de "brazo recto" para poder tolerar la fuerza de cualquier contragolpe.
- Mantenga el cuerpo a la izquierda del plano de la cadena.
- Mantenga el pulgar bajo la barra del mango.

PROCEDIMIENTOS BÁSICOS DE FUNCIONAMIENTO Y CORTE

Practique cortando unos pocos troncos pequeños aplicando la siguiente técnica para acostumbrarse al manejo de la sierra antes de comenzar una tarea de corte de mayores proporciones.

- Adopte una postura correcta del cuerpo frente a la madera, con la sierra en marcha lenta.
- Oprima el seguro de apagado del interruptor, tire del gatillo, después suelte el seguro de apagado del interruptor y permita a la cadena acelerar hasta llegar a la velocidad máxima antes de iniciar el corte.

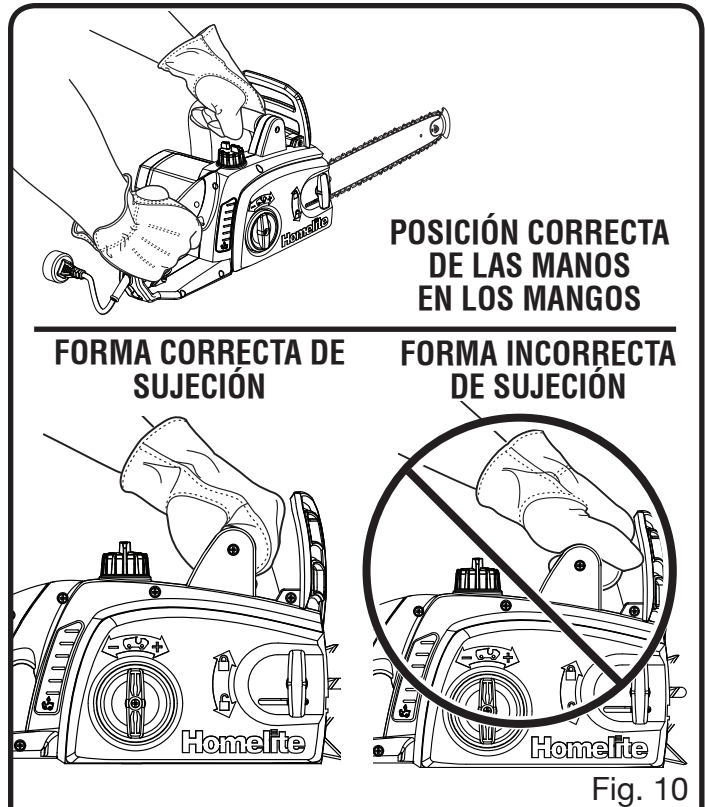


Fig. 10

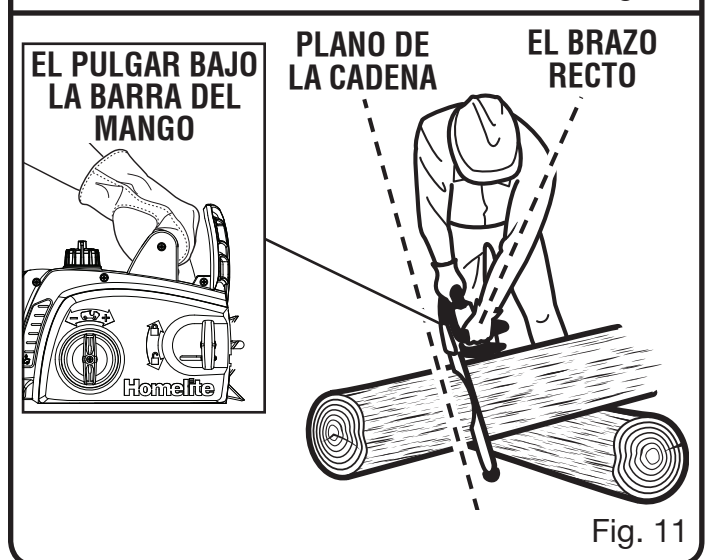


Fig. 11

- Inicie el corte poniendo la sierra contra el tronco.
- Mantenga encendida la unidad todo el tiempo que esté cortando; mantenga una velocidad uniforme.
- Permita que la cadena efectúe el corte; sólo aplique una leve presión hacia abajo. Si fuerza el corte, puede dañarse la barra, la cadena o el motor.
- Suelte el gatillo del interruptor tan pronto como termine el corte, permitiendo así detenerse a la cadena. Si acciona la sierra a la aceleración máxima cortando en vacío, puede ocurrir un desgaste innecesario de la cadena, de la barra y de la unidad.
- No aplique presión en la sierra al final del corte.

FUNCIONAMIENTO

PRECAUCIONES RELACIONADAS CON EL ÁREA DE TRABAJO

Vea la figura 12.

- Sólo corte madera o materiales hechos de madera; no corte lámina metálica, plásticos, mampostería, ni materiales de construcción que no sean de madera.
- Nunca permita utilizar la sierra a ningún niño. No permita utilizar la sierra a ninguna persona que no haya leído este manual del operador o no haya recibido instrucciones adecuadas sobre la forma correcta de emplear esta motosierra.
- Mantenga a todas las personas, ayudantes, circunstantes, niños y animales a una **DISTANCIA SEGURA** del área de corte. Durante las operaciones de tala de árboles, una distancia segura es por lo menos el doble de la altura de los árboles más altos presentes en el área de la tala. Durante las tareas de tronzado (corte en tramos más pequeños), debe mantenerse una distancia mínima de 4,6 metros (15 pies) entre los trabajadores.
- Siempre corte con ambos pies bien apoyados en suelo sólido para evitar perder el equilibrio.
- No corte arriba de la altura del pecho, ya que si se tiene la sierra más arriba de esa altura, es difícil de controlar bajo la fuerza del contragolpe.
- No tale árboles cerca de cables eléctricos o de edificios. Deje tal operación a los profesionales.
- Corte solamente cuando la visibilidad y la luz sean adecuadas para ver claramente.

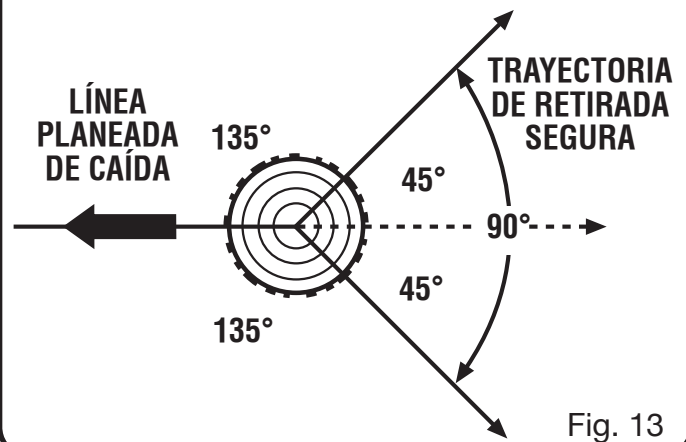
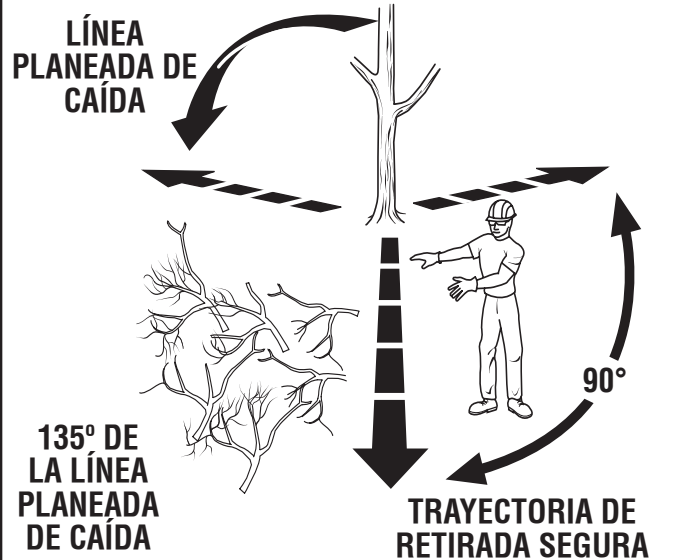
TALA DE ÁRBOLES CONDICIONES PELIGROSAS

⚠ ADVERTENCIA:

No tale árboles durante períodos de viento o lluvia intensos. Espere hasta que cese el tiempo peligroso.

Al talar un árbol, es importante prestar atención a las siguientes advertencias para evitar toda posible lesión seria.

- No corte árboles extremadamente delgados ni árboles grandes con ramas podridas, corteza suelta o troncos huecos. Permita que expertos derriben estos árboles con equipo pesado de empuje o arrastre, y después recórtelos.
- No corte árboles cerca de cables eléctricos o de edificios.
- Revise cada árbol para ver si tiene ramas muertas que pudiesen caer y golpearlo al talar aquél.
- Periódicamente eche un vistazo a la copa del árbol



durante el corte trasero, para asegurarse de que caiga en la dirección deseada.

- Si el árbol comienza a caer en una dirección equivocada, o si la sierra se pellizca o queda colgada en el tronco durante la caída del árbol, ¡deje la sierra y sálvese!

PROCEDIMIENTO CORRECTO PARA TALAR ÁRBOLES

Vea las figuras 13 a 16.

- Tala de árboles — Cuando las tareas de tronzado (corte en tramos más pequeños) y de tala de árboles

FUNCIONAMIENTO

son efectuadas por dos o más personas al mismo tiempo, la operación de tronzado de un árbol previamente talado debe separarse de la de la tala del árbol siguiente por una distancia igual al doble de la altura del árbol que esté talándose en ese momento. Debe evitarse cortar los árboles de una manera que pudieran poner en peligro a cualquier persona, golpear las líneas de servicios públicos o causar cualquier daño material. Si el árbol golpea cualquier red de servicio público, la compañía correspondiente debe ser notificada de inmediato.

- El operador debe permanecer en el lado colina arriba del terreno, ya que probablemente el árbol rodará o se deslizará una vez talado.
- Planifique su ruta de escape (o rutas, en caso de que esté bloqueada la ruta planeada). Despeje el área inmediata al árbol, y asegúrese de que no haya obstrucciones en la ruta planeada de retirada. Despeje la trayectoria de retirada segura aproximadamente a 135° de la línea planeada de caída del árbol.
- Considere la fuerza y dirección del viento, la inclinación y equilibrio del árbol, y por último, la ubicación de las ramas más grandes del mismo. Estos aspectos influyen en la dirección de caída del árbol. No trate de talar ningún árbol a lo largo de una línea diferente de su línea natural de caída.
- Retire la tierra, piedras, corteza floja, clavos, grapas y alambre del árbol, donde se vayan a efectuar los cortes de tala.
- **Corte de muescado.** Corte una muesca de aproximadamente 1/3 del diámetro del tronco en el costado del árbol. Efectúe los cortes de la muesca de manera que queden cruzando en ángulo recto el plano de caída. Esta muesca debe limpiarse para dejar una línea recta. Para mantener el peso de la madera fuera de la sierra, siempre efectúe el corte inferior de la muesca antes del corte superior.

- **Corte trasero de tala.** A medida que el corte de tala se aproxima a la bisagra, el árbol debería comenzar a caer. Si existe alguna posibilidad de que el árbol no caiga en la dirección deseada, o si pudiera llegar a oscilar y atorar la motosierra, deje de cortar antes de terminar el corte de tala y use cuñas de madera, plástico o aluminio para abrir el corte y encauzar el árbol en la línea planeada de caída. Efectúe el corte trasero nivelado y horizontal, a una distancia mínima de 51 mm (2 pulg.) arriba del corte horizontal de la muesca.

NOTA: Nunca corte hasta la muesca. Siempre deje una franja de madera entre la muesca y el corte trasero [aprox. 51 mm (2 pulg.) ó 1/10 del diámetro del árbol]. Esto se llama “bisagra” o “madera de bisagra”. Controla la caída del árbol y evita el

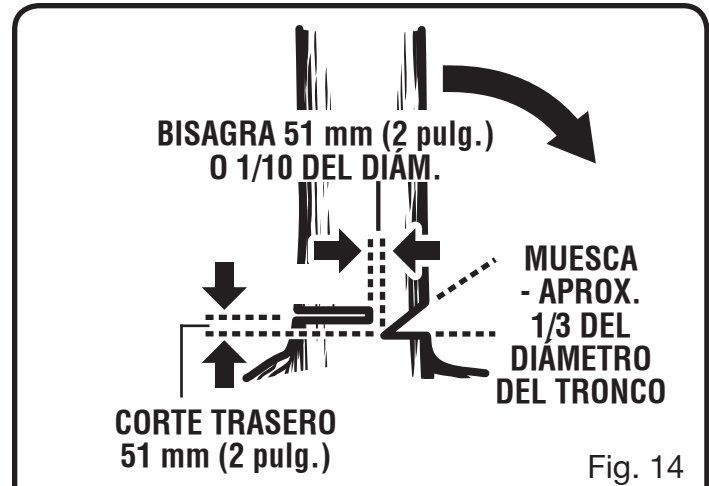


Fig. 14

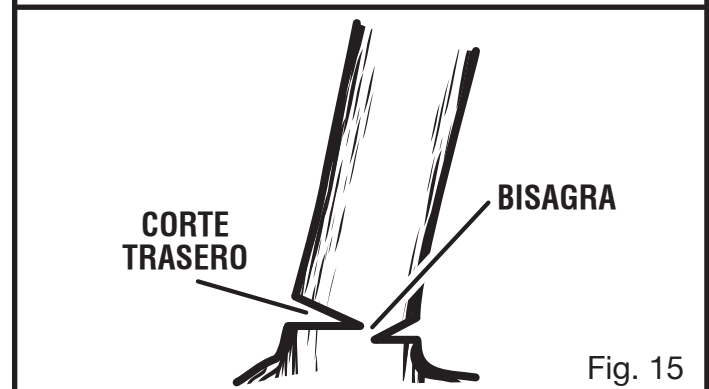


Fig. 15



Fig. 16

deslizamiento, el torcimiento o la separación violenta del árbol de su cepa.

- Con los árboles de diámetro grande, detenga el corte trasero antes de llegar a una profundidad tal, que el árbol pudiese caer o asentarse en la cepa. Después introduzca cuñas de madera o plástico suaves en el corte, de manera que no toquen la cadena. Encaje las cuñas poco a poco, como ayuda para derribar el árbol.
- Al tronzar o talar un árbol con una cuña, puede ser necesario desmontar la protección anticongolpe SAFE-T-TIP de la punta para permitir tirar de la barra por todo el corte. Después de terminar el corte, debe volver a montar de inmediato la protección de la punta.

FUNCIONAMIENTO

- A medida que comience a caer el árbol, apague la motosierra y deposítela en el suelo de inmediato. Retírese por la trayectoria despejada, pero observe lo que sucede por si algo llega a caer en su camino.

⚠ ADVERTENCIA:

Nunca corte hasta la muesca al efectuar el corte trasero. La bisagra, que es la parte de madera existente entre la muesca y el corte trasero, controla la caída del árbol.

ELIMINACIÓN DE RAÍCES ZANCAS

Vea la figura 17.

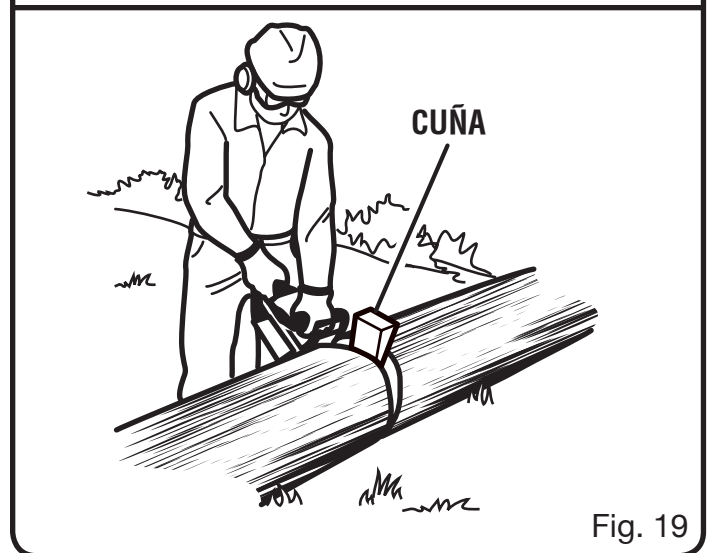
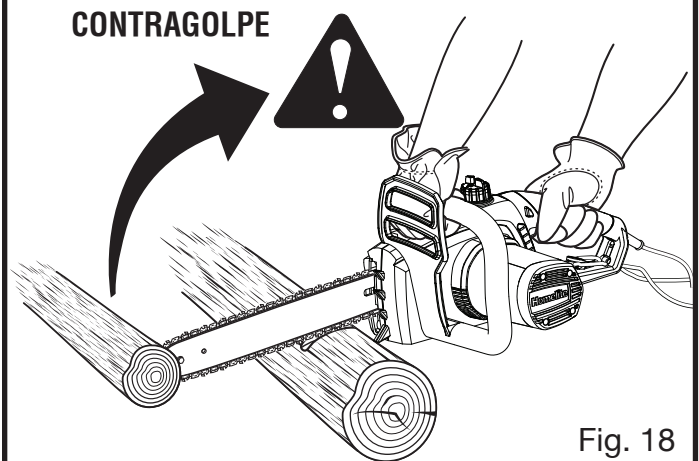
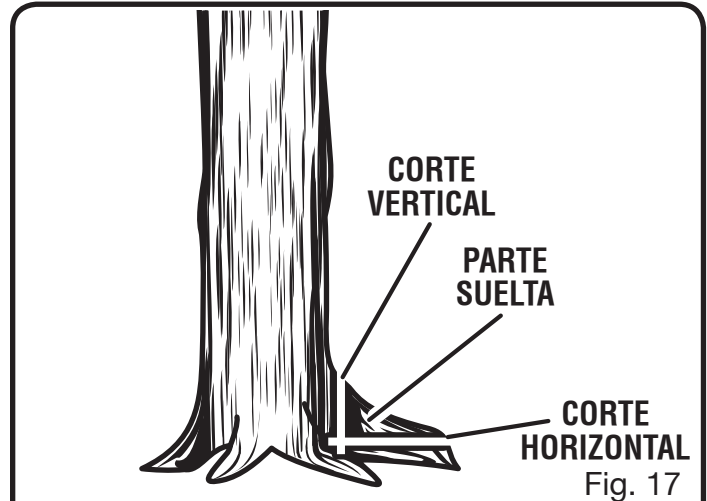
Una raíz zanca es una raíz larga que se extiende desde el tronco del árbol, por encima de la tierra. Antes de talar el árbol, elimine las raíces zancas grandes. Primero efectúe el corte horizontal en la raíz zanca, seguido del corte vertical. Retire del área de trabajo la parte suelta resultante. Una vez habiendo eliminado las raíces zancas grandes de la forma señalada en **Procedimiento correcto para talar árboles**, aplique el procedimiento adecuado para talar el árbol.

TRONZADO

Vea la figura 18.

Tronzado es el término aplicado al corte del tronco de un árbol derribado, en tramos de la longitud deseada.

- Siempre asegúrese de mantener una postura firme y de distribuir su peso de forma equilibrada en ambos pies.
- Solamente corte un tronco a la vez.
- Apoye los troncos pequeños en un caballete de aserrar o en otro tronco mientras los tronza.
- Mantenga despejada el área del corte. Asegúrese de que ningún objeto pueda tocar la punta de la barra guía ni la cadena durante el corte, ya que puede originarse un contragolpe. Para evitar tal peligro, mantenga montada la protección anticongolpe SAFE-T-TIP mientras efectúa el corte. Consulte el apartado **Contragolpe** más arriba en este manual.
- Al efectuar tareas de tronzado en una pendiente, siempre párese en el lado colina arriba de los troncos. Para mantener un control completo de la motosierra al cortar a través del tronco, afloje la presión de corte cerca del final del corte sin disminuir la fuerza de sujeción de los mangos de la sierra. No permita que la cadena toque el suelo. Después de terminar el corte, espere a que se detenga la cadena antes de mover la motosierra. Siempre apague el motor antes de desplazarse de un árbol a otro.



TRONZADO CON CUÑA

Vea la figura 19.

Si el diámetro del tronco es suficientemente grande para introducir una cuña de tronzar suave sin tocar la cadena, debe utilizar la cuña para mantener abierto el corte y de esta manera evitar el pellizcamiento.

FUNCIONAMIENTO

NOTA: Al tronzar o cortar un árbol con una cuña, puede ser necesario desmontar la protección anticontragolpe SAFE-T-TIP de la punta para permitir tirar de la barra por todo el corte. Después de terminar el corte, debe volver a montar la protección de la punta.

TRONZADO DE TRONCOS BAJO TENSIÓN

Vea la figura 20.

Efectúe el primer corte de tronzado a 1/3 del espesor del tronco y termine con un corte de 2/3 por el lado opuesto. A medida que corta el tronco, éste tenderá a doblarse. La sierra puede resultar pellizcada o quedar colgada en el tronco si efectúa el primer corte a una profundidad mayor de 1/3 del diámetro del tronco.

Preste atención en especial a los troncos sujetos a tensión para evitar el pellizcamiento de la barra y de la cadena en la madera.

TRONZADO POR ARRIBA

Vea la figura 21.

Comience por el lado superior del tronco, con la parte inferior de la sierra puesta contra el tronco; ejerza una presión leve hacia abajo. Observe que la sierra tenderá a alejarse de usted.

TRONZADO POR ABAJO

Vea la figura 22.

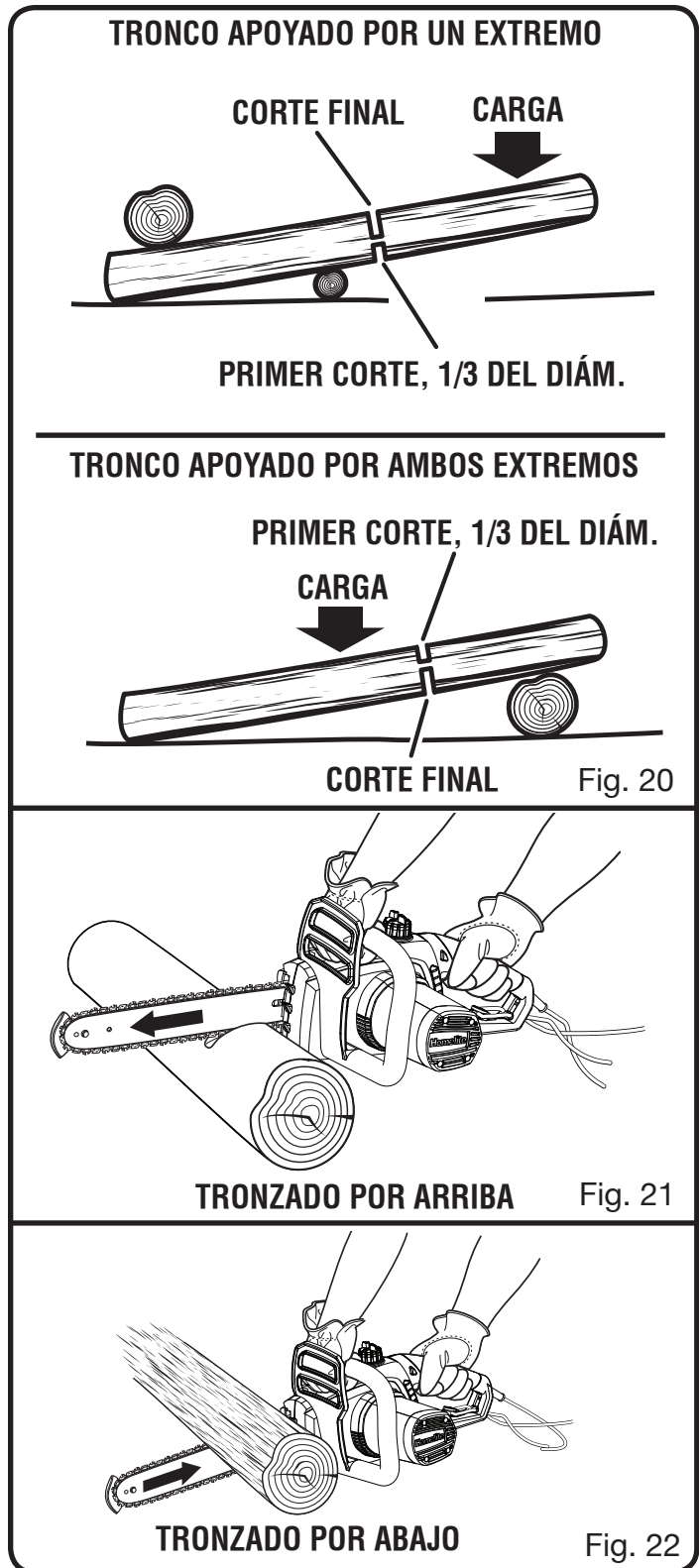
Comience por el lado inferior del tronco, con la parte superior de la sierra puesta contra el tronco; ejerza una presión leve hacia arriba. Durante el tronzado por abajo, la sierra tenderá a venirse hacia usted. Esté preparado para esta reacción y sujete firmemente la sierra para conservar el control de la misma.

DESRAMADO

Vea la figura 23.

El desramado es la eliminación de las ramas de un árbol cortado.

- Trabaje lentamente, manteniendo ambas manos en la motosierra, sujetándola firmemente. Siempre asegúrese de mantener una postura firme y de distribuir su peso de forma equilibrada en ambos pies.
- Deje las ramas de soporte más grandes bajo el árbol para mantenerlo separado del suelo mientras efectúa los cortes.
- Solamente corte una rama a la vez. Retire las ramas cortadas del área de trabajo con frecuencia para mantener el área de trabajo limpia y segura.
- Las ramas bajo tensión deben cortarse de abajo hacia arriba para evitar el atoramiento de la motosierra.



FUNCIONAMIENTO

- Mantenga el árbol entre usted y la motosierra mientras realice el desramado. Corte desde el lado del árbol que quede opuesto a la rama que esté cortando.

PODA

Vea la figura 24.

La poda es el recorte de las ramas de un árbol vivo.

- Trabaje lentamente, manteniendo ambas manos en la motosierra, sujetándola firmemente. Siempre asegúrese de mantener una postura firme y de distribuir su peso de forma equilibrada en ambos pies.
- No realice tareas de corte subido en una escalera, ya que es extremadamente peligroso. Deje tal operación a los profesionales.
- No corte arriba de la altura del pecho, ya que si se tiene la sierra más arriba de esa altura, es difícil de controlar bajo la fuerza del contragolpe.
- Al podar árboles es importante no realizar el corte final de una rama, junto a la rama o tronco de donde sale, sin haber recortado la primera para reducir el peso de la misma. De esta manera se evita desprender la corteza del miembro progenitor.
- Para el primer corte de tronzado, corte por abajo la rama 1/3 del diámetro de la misma.
- El segundo corte de tronzado debe ser por arriba para cortar completamente la rama.
- Ahora efectúe el corte final, liso y bien hecho, contra el miembro progenitor, de manera que se forme la corteza para sellar el corte.

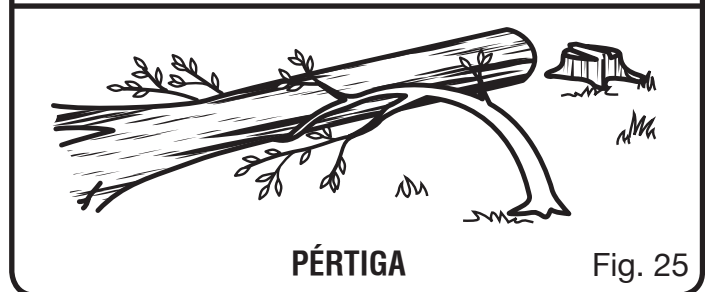
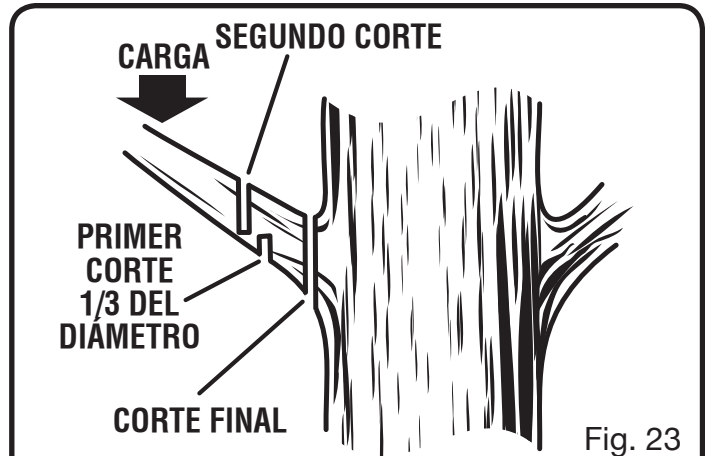
⚠ ADVERTENCIA:

Si las ramas por podar están arriba de la altura del pecho, contrate a un experto para que efectúe la poda.

CORTE DE PÉRTIGAS

Vea la figura 25.

Una pértiga es cualquier tronco, rama, cepa enraizada o árbol joven que ha sido doblado por la presión de otro árbol o rama, de manera que azota si se corta o se elimina el elemento que lo detiene. Con la cepa enraizada de un árbol caído hay un gran peligro de que la misma vuelva súbitamente a la posición vertical durante el corte de tronzado para separar el tronco de la cepa. Tenga cuidado con las pértigas; son peligrosas.



⚠ ADVERTENCIA:

Las pértigas son peligrosas y podrían golpear al operador, obligándolo a perder el control de la motosierra. Esto podría causarle lesiones mortales o serias al operador.

MANTENIMIENTO

⚠ ADVERTENCIA:

Al dar servicio a la unidad, sólo utilice piezas de repuesto Homelite idénticas. El empleo de piezas diferentes puede ser peligroso o dañar el producto.

⚠ ADVERTENCIA:

Siempre póngase protección ocular con protección lateral con la marca de cumplimiento de la norma ANSI Z87.1, así como protección para los oídos y la cabeza. La inobservancia de esta advertencia puede permitir que los objetos lanzados hacia los ojos y otros provocar lesiones graves.

MANTENIMIENTO GENERAL

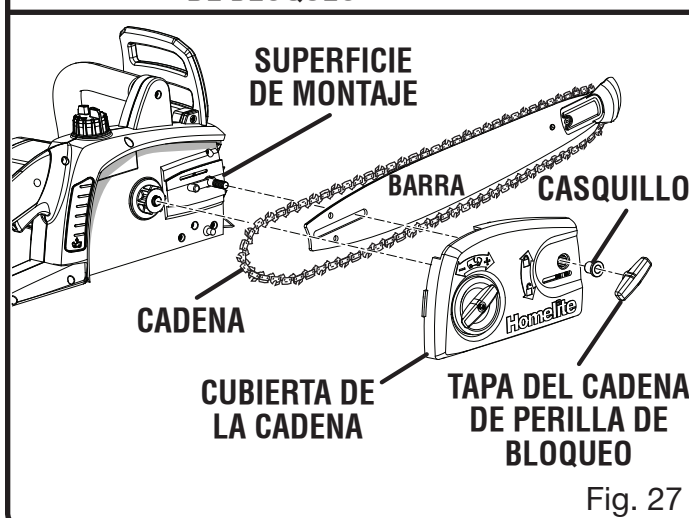
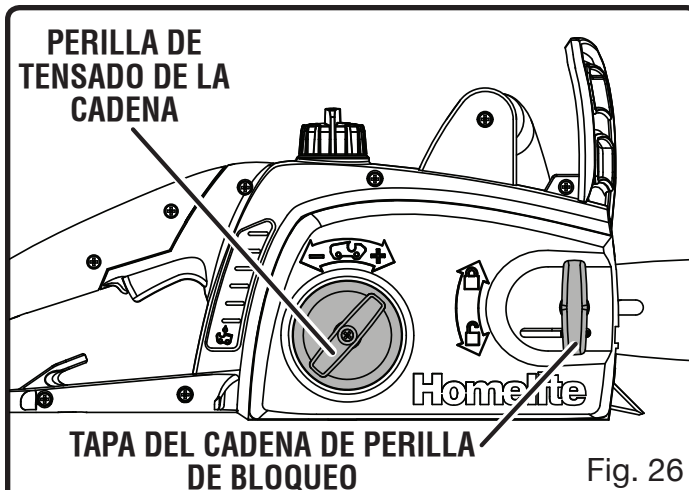
Evite el empleo de solventes al limpiar piezas de plástico. La mayoría de los plásticos son susceptibles a diferentes tipos de solventes comerciales y pueden resultar dañados. Utilice paños limpios para eliminar la suciedad, el polvo, el lubricante, la grasa, etc.

⚠ ADVERTENCIA:

No permita en ningún momento que fluidos para frenos, gasolina, productos a base de petróleo, lubricantes penetrantes, etc., lleguen a tocar las piezas de plástico. Las sustancias químicas pueden dañar, debilitar o destruir el plástico, lo cual a su vez puede producir lesiones corporales serias.

LUBRICACIÓN

Todos los cojinetes de esta herramienta están lubricados con suficiente cantidad de aceite de alta calidad para toda la vida útil de la unidad en condiciones normales de funcionamiento. Por lo tanto, no se necesita lubricación adicional.



CÓMO REEMPLAZAR LA BARRA GUÍA Y LA CADENA

Vea las figuras 26 a 33.

⚠ PELIGRO:

Nunca arranque el motor sin haber instalado la barra guía, la cadena, la tapa de la unidad de impulsión y el tapa del embrague perilla de bloqueo. Sin todas estas piezas en su lugar, el embrague puede salir disparado o estallar, exponiendo de esta manera al operador a una posible lesión seria.

⚠ ADVERTENCIA:

Para evitar lesiones corporales serias, lea y comprenda todas las instrucciones de seguridad indicadas en esta sección.

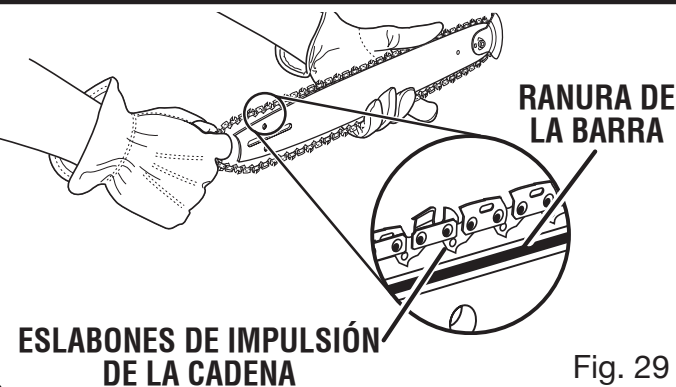
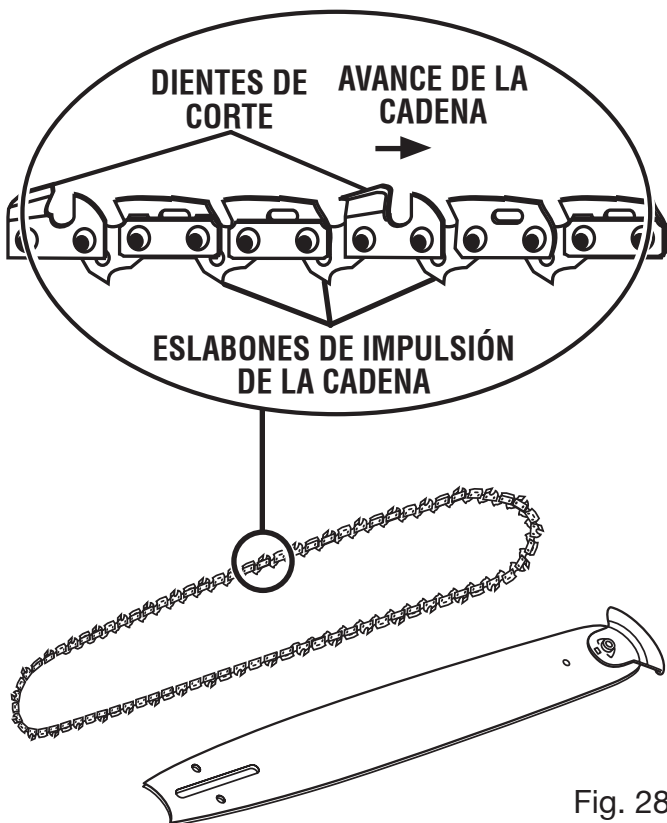
MANTENIMIENTO

⚠️ ADVERTENCIA:

Antes de efectuar cualquier tarea de mantenimiento, asegúrese de que la herramienta esté desconectada del suministro de corriente. De lo contrario la unidad puede ponerse en marcha accidentalmente, con el consiguiente riesgo de lesiones corporales serias.

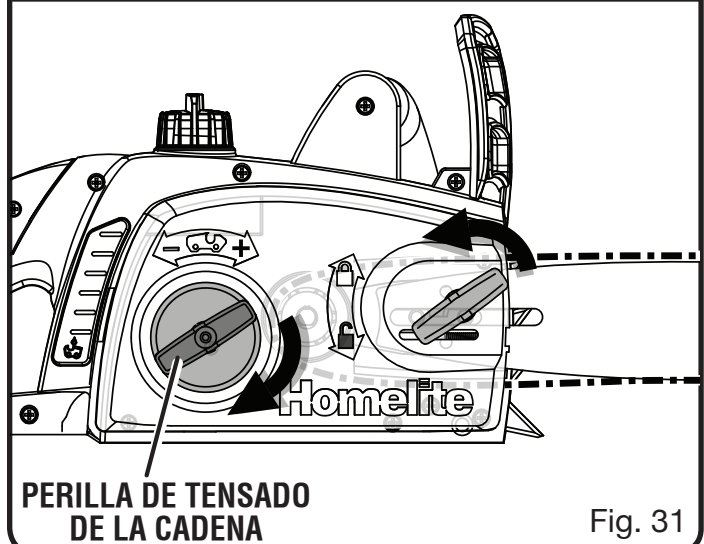
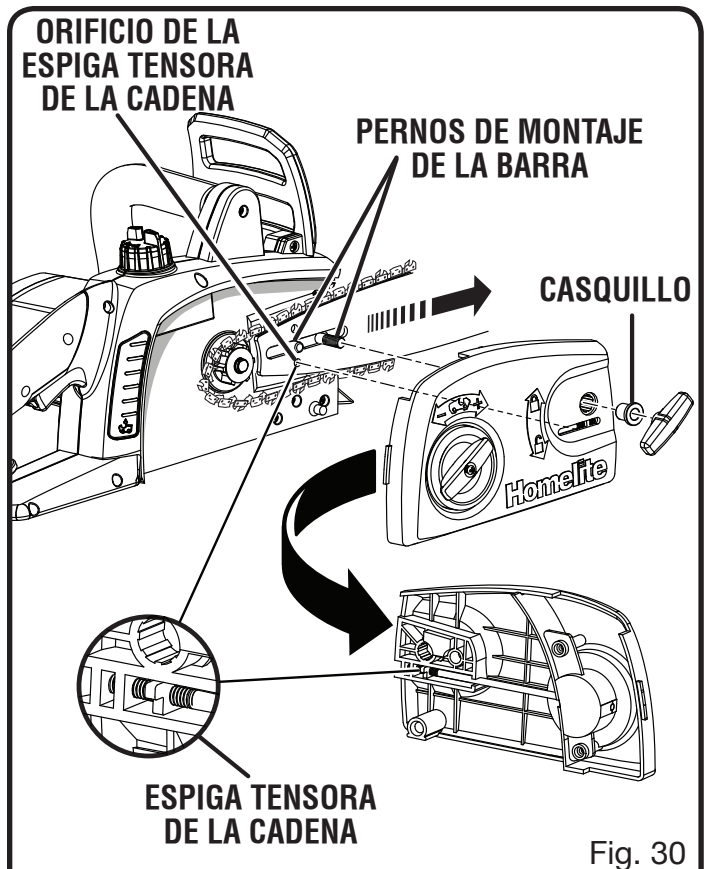
⚠️ PRECAUCIÓN:

Siempre póngase guantes la manipular la barra y la cadena; estos componentes han sido afilados y pueden contener rebabas.



⚠️ ADVERTENCIA:

Nunca toque ni ajuste la cadena mientras esté funcionando el motor. La cadena de la sierra está sumamente afilada; siempre póngase guantes protectores al efectuar labores de mantenimiento de la cadena para evitar posibles heridas desgarradas serias.



MANTENIMIENTO

NOTA: Al reemplazar la barra guía y la cadena, siempre utilice la barra y la cadena especificadas en la sección **Combinaciones de barra y cadena**, más adelante en este manual.

- Desconecte la motosierra del suministro de corriente.
- Gire izquierdo la tapa del cadena de perilla de bloqueo y retire perilla y casquillo.
- Retire la tapa de la cadena.
- Retire la barra y la cadena de la superficie de montaje.
- Retire la cadena vieja de la barra.
- Extienda la nueva cadena de la sierra en un círculo y enderece todo retorcimiento presente en la misma. Los dientes de corte deben estar orientados en la dirección de desplazamiento de la cadena. Si están orientados en la dirección opuesta, invierta la posición de la cadena.
- Coloque los eslabones de impulsión de la cadena en la ranura de la barra.

NOTA: Verifique el sentido de desplazamiento de la cadena.

- Acomode la cadena de tal manera que haya una holgura en la parte posterior de la barra.
- Mantenga la cadena en su posición en la barra y coloque la holgura alrededor de la rueda dentada.
- Acomode la barra contra la superficie de montaje de manera que los pernos de la barra queden en la ranura larga de la misma.

NOTA: Al colocar la barra en los pernos, asegúrese de que el pasador de ajuste esté en el orificio del pasador de tensado de la cadena.

- Vuelva a montar la tapa de la cadena.
- Mantenga casquillo y tapa del cadena de perilla de bloqueo; gire a derecho la perilla apretar. La barra debe quedar libre para moverse para el ajuste de la tensión.
- Elimine toda la holgura de la cadena; para ello, gire hacia la derecha el perilla de tensado de la cadena hasta que ésta se siente ajustadamente en la barra, con los eslabones de impulsión dentro de la ranura de la misma.

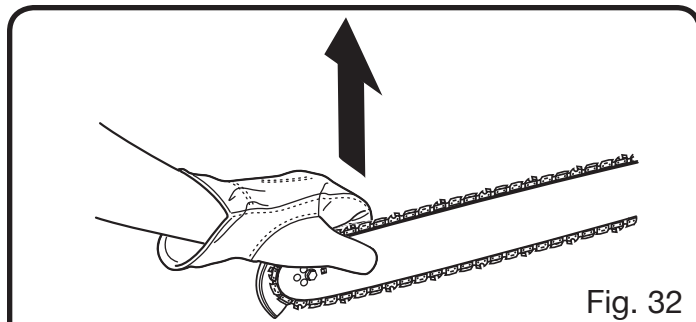


Fig. 32

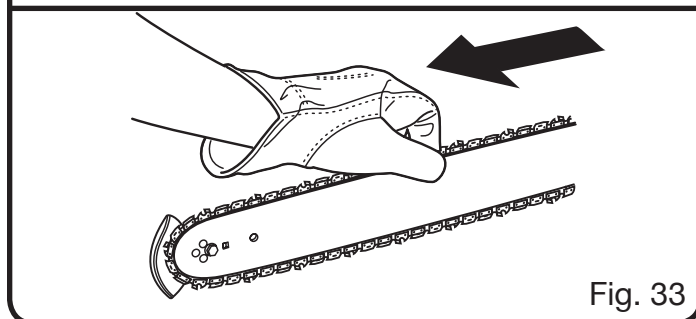


Fig. 33

- Levante la punta de la barra guía para revisar la holgura de la cadena.
- Suelte la punta de la barra guía y gire 1/2 vuelta hacia la derecha el perilla de tensado de la cadena. Repita este proceso hasta que desaparezca toda holgura presente.
- Mantenga levantada la punta de la barra guía y apriete firmemente la tapa del cadena de perilla de bloqueo.

La cadena está bien tensada cuando no hay holgura de la misma en la parte inferior de la barra guía, la cadena se siente bien ajustada en la barra, y puede avanzarse con la mano sin ningún atoramiento de aquélla.

NOTA: Si queda demasiado ajustada la cadena, no podrá desplazarse. Afloje levemente tapa del cadena de perilla de bloqueo y Gire el perilla tensor de la cadena 1/4 de vuelta hacia la izquierda. Levante la punta de la barra guía a apretar firmemente la tapa del cadena de perilla de bloqueo. Asegúrese de que la cadena se desplace sin atorarse.

MANTENIMIENTO

AJUSTE DE LA TENSIÓN DE LA CADENA

Vea las figuras 34 y 35.

⚠ ADVERTENCIA:

Nunca toque ni ajuste la cadena mientras esté funcionando el motor. La cadena de la sierra está sumamente afilada. Siempre lleve puestos guantes protectores al efectuar labores de mantenimiento de la cadena.

- Apague el motor y desconecte del suministro de corriente antes de ajustar la tensión de la cadena.
- Afloje levemente tapa del cadena de perilla de bloqueo.
- Gire a la derecha el perilla de tensado de la cadena para tensar ésta.
NOTA: La cadena, estando fría, está bien tensada cuando no hay holgura de la misma en la parte inferior de la barra guía, la cadena se siente bien ajustada en la barra, y puede avanzarse con la mano sin ningún atoramiento.
- Gire a la derecha la tapa del cadena de perilla de bloqueo para asegurar.

Vuelva a tensar la cadena cada vez que las partes planas de los eslabones de impulsión sobresalen suspendidos de la ranura de la barra.

NOTA: Durante el funcionamiento normal de la sierra, aumenta la temperatura de la sierra. Si la cadena está bien tensada, estando caliente los eslabones de impulsión sobresalen suspendidos de la ranura de la barra aproximadamente 1,25 mm (0,050 pulg.).

NOTA: Las cadenas nuevas tienden a estirarse; revise frecuentemente la tensión de la cadena y tense ésta según se requiera.

⚠ PRECAUCIÓN:

Si se tensa la cadena estando ésta caliente, puede quedar demasiado apretada al enfriarse. Revise la “tensión en frío” de la cadena, antes de usar la sierra.



Fig. 34

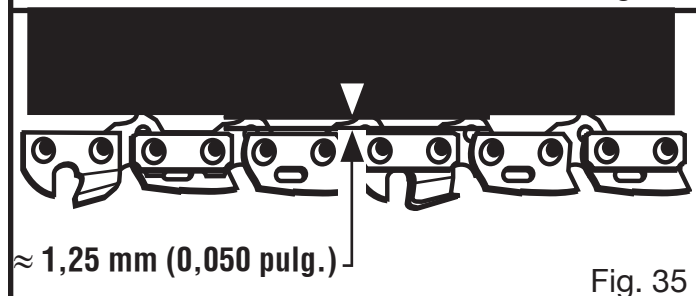


Fig. 35

ESPACIO LIBRE DE LOS DIENTES LIMPIADORES (CALIBRES DE PROFUNDIDAD)

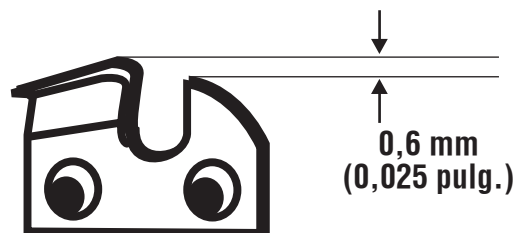


Fig. 36

MANTENIMIENTO DE LA CADENA

Vea las figuras 36 y 37.

⚠ PRECAUCIÓN:

Asegúrese de que la motosierra esté desconectada del suministro de corriente antes de realizar cualquier tarea en la sierra.

Sólo utilice una cadena de contragolpe moderado con esta sierra. Esta cadena de corte rápido proporciona reducción del contragolpe si se le da debido mantenimiento.

Para poder dar un corte liso y rápido, es necesario dar un mantenimiento adecuado a la cadena.

La cadena requiere afilarse cuando las virutas de madera salen pequeñas y polvorientas, cuando es necesario forzar la cadena a pasar a través de la madera durante el corte, o cuando la cadena corta hacia un lado. Durante el mantenimiento de la sierra considere lo siguiente:

MANTENIMIENTO

- Un ángulo incorrecto de limado de la placa lateral puede aumentar el riesgo de un contragolpe violento.
- Espacio libre de los dientes limpiadores (calibres de profundidad).
 - Demasiado bajo aumenta el peligro de contragolpe.
 - Si no está lo suficientemente bajo disminuye la capacidad de corte.
- Si los dientes de corte han tocado objetos duros como clavos y piedras, o han sido desgastados por el lodo o la arena presentes en la madera, permita que afilen la cadena en un centro de servicio autorizado.

NOTA: Al cambiar la cadena, inspeccione la rueda dentada de impulsión para ver si tiene desgaste o daños. Si hay señales de desgaste o daños presentes en las áreas indicadas, lleve la sierra a un centro de servicio autorizado para que cambien la rueda dentada.

NOTA: Si no comprende completamente el procedimiento correcto de afilado de la cadena después de leer las instrucciones siguientes, lleve la sierra a afilar a un centro de servicio autorizado o reemplácela con una cadena de contragolpe moderado recomendada.

AFILADO DE LOS DIENTES DE CORTE

Vea las figuras 38 a 41.

Tenga cuidado de afilar todos los dientes de corte a los ángulos especificados y a la misma longitud, ya que sólo puede lograrse un corte rápido cuando están uniformes todos los dientes de corte.

⚠ PRECAUCIÓN:

Asegúrese de que la motosierra esté desconectada del suministro de corriente antes de realizar cualquier tarea en la sierra.

⚠ ADVERTENCIA:

La cadena de la sierra está sumamente afilada. Para evitar sufrir lesiones serias, siempre lleve puestos guantes protectores al efectuar labores de mantenimiento de la cadena.

INSPECCIONE LA RUEDA DENTADA DE IMPULSIÓN

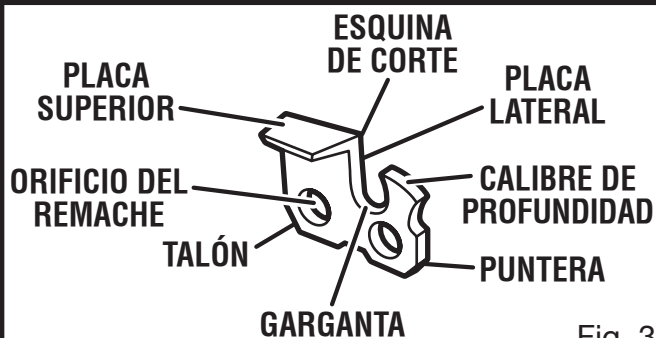
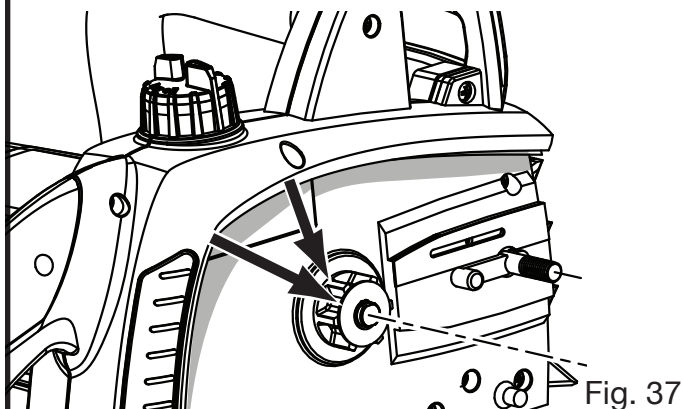


Fig. 38

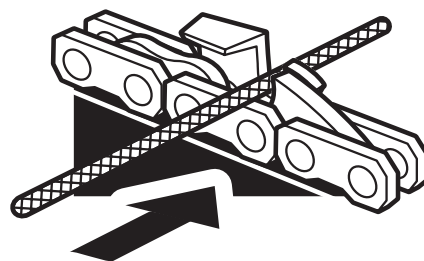


Fig. 39

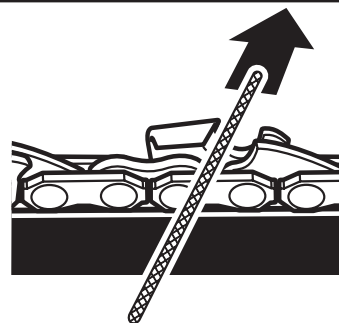


Fig. 40

- Tense la cadena antes de afilarla. Consulte el apartado **Ajuste de la tensión de la cadena**.
- Use una lima redonda de x 4,0 mm (5/32 pulg.) de diámetro con mango. Efectúe toda la limadura en el punto medio de la barra.

MANTENIMIENTO

- Mantenga la lima al nivel de la placa superior de los dientes de corte. No permita que la lima se incline ni se balancee.
- Aplique una presión leve pero firme. Efectúe el movimiento hacia la parte frontal del diente.
- Levante la lima para separarla del acero en cada movimiento de regreso.
- Dé unas pocas pasadas firmes a cada diente de corte. Lime todos los dientes de corte izquierdos en una dirección. Después lleve la lima al otro lado y lime los dientes de corte derechos en la dirección opuesta.
- Con un cepillo de alambre limpie las limaduras producidas por la lima.

PRECAUCIÓN:

Si la cadena está desafilada o mal afilada, durante el corte puede causar una velocidad excesiva del motor, lo cual puede dañarlo.

ADVERTENCIA:

Un afilado inadecuado de la cadena aumenta el peligro de contragolpe.

ADVERTENCIA:

Si no se cambia o se repara la cadena cuando está dañada, puede causar lesiones serias.

ÁNGULO DE LIMADURA DE LA PLACA SUPERIOR

Vea la figura 42.

- **ÁNGULO CORRECTO:** 30° – Los mangos de las limas están marcados con marcas guía para alinear correctamente la lima con el fin de generar el ángulo correcto de la placa superior.
- **MENOS DE 30°** – Para corte transversal.
- **MÁS DE 30°** – El canto en bisel se desafilado rápidamente.

ÁNGULO DE LA PLACA LATERAL

Vea la figura 43.

- **ÁNGULO CORRECTO:** 80° – Se genera automáticamente si se pone una lima de diámetro correcto en el mango.
- **EN FORMA DE GARFIO** – “Agarra”, se desafilado rápidamente y aumenta el peligro de un **CONTRAGOLPE**. Resulta de esta forma por usarse una lima de diámetro demasiado pequeño, o por sostenerse ésta muy abajo.

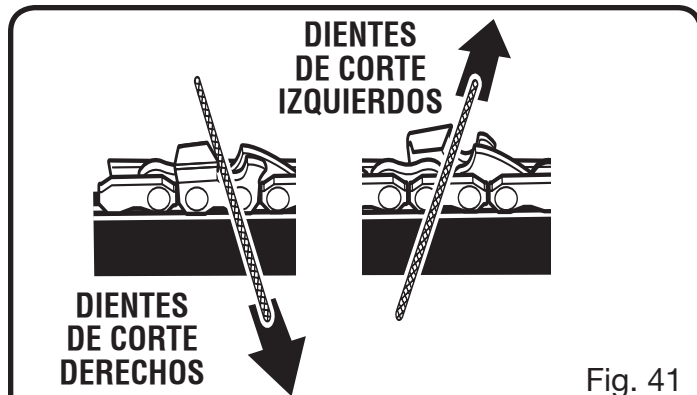


Fig. 41

ÁNGULO DE LIMADURA DE LA PLACA SUPERIOR

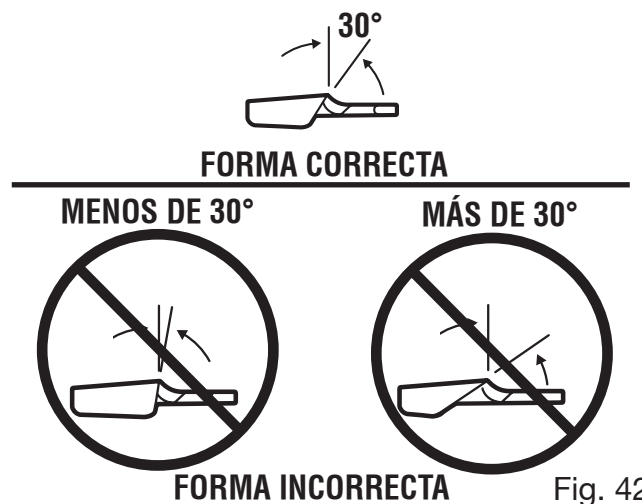


Fig. 42

ÁNGULO DE LIMADURA DE LA PLACA LATERAL

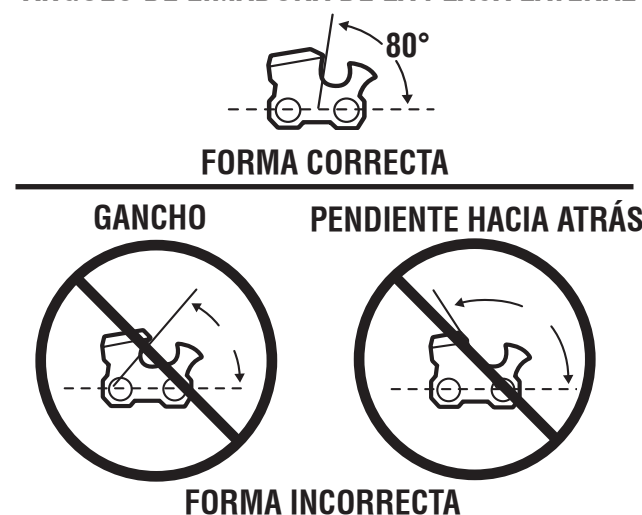


Fig. 43

- **PENDIENTE HACIA ATRÁS** – Se necesita demasiada presión para avanzar el corte, causa desgaste excesivo en la barra y la cadena. Resulta de esta forma por usarse una lima de diámetro demasiado grande, o por sostenerse ésta muy alto.

MANTENIMIENTO

MANTENIMIENTO DEL ESPACIO LIBRE DEL CALIBRE DE PROFUNDIDAD

Vea las figuras 44 a 46.

- Mantenga los calibres de profundidad a un espacio libre de 0,6 mm (0,025 pulg.). Utilice un igualador de calibres de profundidad para verificar los espacios libres de los mismos.
- Cada vez que se lima la cadena verifique el espacio libre de los calibres de profundidad.
- Con una lima plana y un igualador de calibres de profundidad, baje de manera uniforme todos los calibres. Use un igualador de calibres x 0,6 mm (0,025 pulg.) Después de bajar cada calibre de profundidad, devuélvalos su forma original redondeando la parte frontal de los mismos. Tenga cuidado de no dañar los eslabones de impulsión adyacentes con el borde de la lima.
- Cada calibre de profundidad debe ajustarse con la lima plana, en la misma dirección en que se limó con la lima redonda el diente de corte adyacente. Tenga cuidado de no tocar la cara del diente de corte adyacente con la lima plana al ajustar los calibres de profundidad.

MANTENIMIENTO DE LA BARRA GUÍA

Vea la figura 47.

⚠ PRECAUCIÓN:

Asegúrese de que se haya detenido la cadena antes de ponerse a trabajar con la cadena.

Cada semana de uso invierta la barra guía en la sierra para distribuir el desgaste y prolongar al máximo la vida de servicio de aquélla. La barra debe limpiarse cada día de uso y debe revisarse para ver el desgaste y los posibles daños.

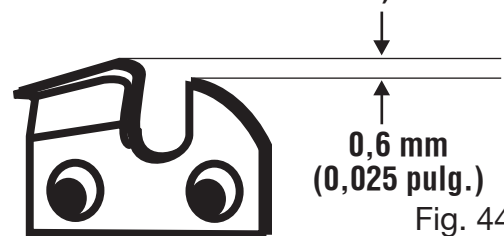
La formación de minúsculos surcos y protuberancias en los rieles de la barra es un proceso normal de desgaste de la misma. Tales fallas deben alisarse con una lima tan pronto como aparezcan.

Debe cambiarse toda barra que presente cualquiera de las siguientes fallas:

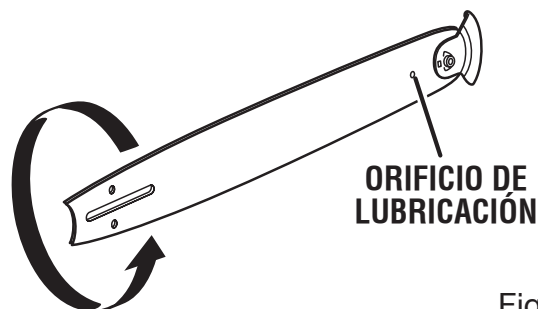
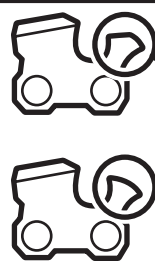
- Desgaste dentro de los rieles de la barra que permite a la cadena descansar sobre su costado.
- Barra guía doblada.
- Rieles agrietados o rotos.
- Rieles ensanchados.

Lubrique semanalmente las barras guía dotadas de rueda dentada en la punta. Con una jeringa de grasa lubrique semanalmente el orificio de lubricación. Gire

ESPACIO LIBRE DE LOS DIENTES LIMPIADORES (CALIBRES DE PROFUNDIDAD)



IGUALADOR DE CALIBRES DE PROFUNDIDAD



la barra guía y verifique que no tengan impurezas los orificios de lubricación y la ranura de la cadena.

MONTAJE DE LA PROTECCIÓN SAFE-T-TIP DE LA PUNTA

Vea las figuras 48 y 49.

- Desconecte la motosierra del suministro de corriente.
- Monte la protección SAFE-T-TIP en la punta de la barra.
- Acomode el remache (u orejeta) de inmovilización en el orificio en hueco de la barra guía.

MANTENIMIENTO

- Apriete el tornillo con la llave hasta dejarlo ajustado.
- De donde quedó ajustado, con una llave apriételo 3/4 de vuelta más.

MANTENIMIENTO DE LA PROTECCIÓN SAFE-T-TIP DE LA PUNTA

Vea las figuras 47 y 48.

⚠ PRECAUCIÓN:

Asegúrese de que se haya detenido la cadena antes de ponerse a trabajar con la cadena.

⚠ ADVERTENCIA:

Aunque la barra guía viene con una protección anticontragolpe SAFE-T-TIP ya montada, verifique el apriete del tornillo de montaje cada vez antes de usar la sierra.

Para apretar el tornillo de montaje de la protección de la punta, siga las instrucciones explicadas a continuación. Estos son tornillos especiales endurecidos. Si no puede apretarse el tornillo, cambie tanto éste como la protección SAFE-T-TIP antes de utilizar la unidad.

NOTA: No sustituya el tornillo con uno ordinario. Al reemplazar piezas sólo utilice piezas de repuesto idénticas del fabricante.

Además de evitar el contacto de la cadena con objetos sólidos en la punta de la barra, la protección SAFE-T-TIP también ayuda a mantener la cadena alejada de superficies abrasivas, como la tierra. Manténgala en el lado derecho de la barra, entre la cadena y el suelo, durante el corte a nivel con el suelo.

El tornillo de montaje requiere una llave de tuercas de x 7,9 mm (5/16 pulg.) (o una llave ajustable) para lograr fuerza de torsión de 4 a 5 N·m (35 a 45 lb·pulg.). Puede lograrse fuerza de torsión dentro de este intervalo mediante el siguiente método.

- Apriete el tornillo con la llave hasta dejarlo ajustado.
- De donde quedó ajustado, con una llave apriételo 3/4 de vuelta más.

ALMACENAMIENTO DE LA PRODUCTO

Vea la figura 50.

- Limpie todo material extraño de la producto. Almacene la unidad en un espacio bien ventilado inaccesible a los niños. Evite que la unidad entre

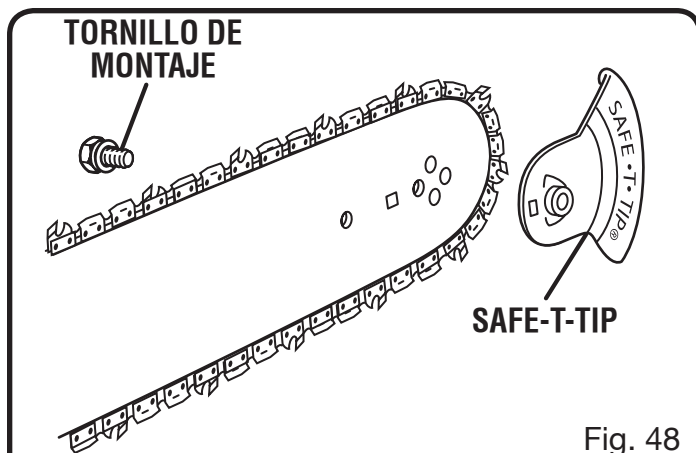


Fig. 48

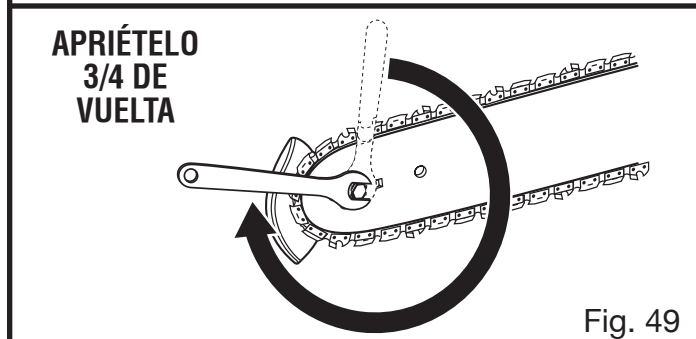


Fig. 49

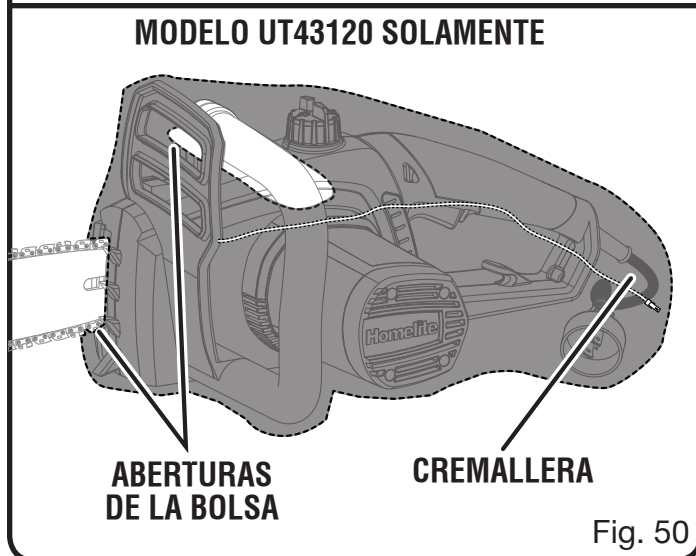


Fig. 50

en contacto con agentes corrosivos como las sustancias químicas para el jardín y las sales para derretir el hielo.

- **Modelo UT43120 solamente:** Siempre coloque la funda en la barra y la cadena antes de guardar o transportar la motosierra. Tenga precaución y evite tocar los afilados dientes de la cadena.
- **Modelo UT43120 solamente:** Coloque la motosierra en la bolsa de almacenamiento según lo demostrado antes de guardar o al transportar.

COMBINACIONES DE BARRA Y CADENA

Especificaciones de la cadena: 9,5 mm (0,375 pulg.), de paso dientes de bajo perfil de garganta ancha grande, 1,3 mm (0,050 pulg.) de calibre

Longitud barra	Núm. pieza barra guía	Núm. pieza cadena	Eslabones de impulsión
14 po	310625001	901212001	52
16 po	310626001	901212002	56

SOLUCIÓN DE PROBLEMAS

Problema	Causa posible	Solución
La barra y la cadena están muy calientes y despiden humo.	Revise la tensión de la cadena para ver si es excesiva. Está vacío el tanque de aceite de la cadena.	Tensión de la cadena. Consulte el apartado Ajuste de la tensión de la cadena , más arriba en este manual. Revise el tanque de lubricante.
El motor funciona pero la cadena no avanza.	Demasiada tensión en la cadena. Revise el conjunto de la barra guía y la cadena. Revise la barra guía y la cadena para ver si están dañados.	Vuelva a tensar la cadena. Consulte el apartado Ajuste de la tensión de la cadena , más arriba en este manual. Consulte el apartado Reemplazo de la barra y de la cadena , más arriba en este manual. Inspeccione la barra guía y la cadena para ver si están dañados.
El motor funciona y la cadena se desplaza, pero no corta.	Está desafilada la cadena. Está montada al revés la cadena.	Está desafilada la cadena. Invierta la orientación de la cadena.
Es difícil girar el dial de tensado de la cadena.	La punta de la barra guía no está levantada. La perilla de ajuste de la cubierta del embrague está demasiado apretada.	Levante la punta de la barra guía mientras gira el dial de ajuste de tensión. Presione la perilla de ajuste de la cubierta del embrague y gírela hacia la izquierda para aflojar levemente la cubierta del embrague antes de intentar ajustar la tensión de la cadena.



LLÁMENOS PRIMERO

Si tiene preguntas sobre el funcionamiento o el mantenimiento del producto, llame al teléfono de atención al consumidor de Homelite®.

Este producto ha sido probado enteramente antes de embarcarse para asegurar la completa satisfacción del consumidor.

GARANTÍA

DECLARACIÓN DE LA GARANTÍA LIMITADA

Homelite Consumer Products, Inc. garantiza al comprador original al menudeo que este producto para uso en el exterior HOMELITE carece de defectos en materiales y mano de obra y acuerda reparar o reemplazar, a la sola discreción de Homelite, cualquier producto defectuoso sin cargo alguno dentro del plazo establecido después de la fecha de compra.

- Dos años para todos los modelos, si se utilizan para fines personales, familiares o domésticos;
- 90 días si el producto se emplea para cualquier otro propósito, como el de alquiler o el uso comercial.

Esta garantía se otorga solamente al comprador original al menudeo, y comienza en la fecha de la compra original al menudeo.

Cualquier parte de este producto manufacturado o suministrado por HOMELITE que, a juicio razonable de HOMELITE, tenga defectos en los materiales o en la mano de obra, será reparado o reemplazado por un centro de servicio autorizado de productos HOMELITE, sin cargo alguno al comprador por concepto de piezas y mano de obra.

El producto, incluida toda pieza defectuosa, debe enviarse a un establecimiento de servicio autorizado dentro del período de la garantía. El gasto de enviar el producto al establecimiento para cualquier trabajo cubierto por la garantía, así como el gasto de devolverlo al propietario después de la reparación, correrán por cuenta del propietario. La responsabilidad de Homelite con respecto a todo reclamo se limita a las reparaciones o reemplazo del producto, y ningún reclamo de incumplimiento de la garantía será causante de la cancelación o rescisión del contrato de venta de ningún producto HOMELITE. En el establecimiento se requerirá el recibo de compra para respaldar cualquier reclamo al amparo de la garantía. Todo trabajo efectuado en cumplimiento de la garantía debe ser realizado en un establecimiento de servicio autorizado de productos Homelite.

Esta garantía se limita a noventa (90) días a partir de la fecha original de la compra de cualquier producto HOMELITE empleado para propósitos comerciales o de alquiler, o cualquier otro propósito generador de ingresos.

Esta garantía no cubre ningún producto HOMELITE que haya sido sujeto a un uso indebido, maltrato, negligencia o accidente, o que haya sido utilizado de cualquier forma contraria a las instrucciones de manejo especificadas en el manual del operador. Esta garantía no aplica a los daños en el producto que resulten del mantenimiento indebido ni a producto alguno que haya sido alterado o modificado. La garantía no cubre ninguna reparación necesaria por el uso normal ni por el uso de piezas o accesorios que sean incompatibles con el producto HOMELITE, o afecten de forma desfavorable su funcionamiento, desempeño o durabilidad. Además, esta garantía no cubre:

A. Afinación – Bujías, carburador, ajustes del carburador, encendido, filtros

B. Artículos sujetos a desgaste – Perillas de tope, carretes exteriores, hilos de corte, carretes interiores, poleas del arrancador, cuerdas del arrancador, correas de transmisión, aspas, arandelas de fieltro, pasadores de enganche, hojas de triturar, ventiladores de sopladoras, tubos de sopladoras y de aspiradoras, sacos y correas de aspiradoras, barras guía y cadenas de sierras.

Homelite se reserva el derecho a cambiar o mejorar el diseño de cualquier producto HOMELITE sin asumir ninguna obligación de modificar ningún producto fabricado previamente.

TODAS LAS GARANTÍAS IMPLÍCITAS ESTÁN LIMITADAS EN DURACIÓN SEGÚN EL PERÍODO DE GARANTÍA DECLARADA. POR CONSIGUIENTE, CUALQUIER GARANTÍA IMPLÍCITA, INCLUSO LAS DE COMERCIABILIDAD, IDONEIDAD PARA UN PROPÓSITO EN PARTICULAR, O DE CUALQUIER TIPO, PIERDEN TOTALMENTE SU VALIDEZ DESPUÉS DEL VENCIMIENTO DEL PERÍODO DE GARANTÍA CORRESPONDIENTE DE DOS AÑOS, UN AÑO O NOVENTA DÍAS. LA OBLIGACIÓN DE HOMELITE EN VIRTUD DE ESTA GARANTÍA SE LIMITA ESTRUCTURA Y EXCLUSIVAMENTE A LA REPARACIÓN O REEMPLAZO DE LAS PIEZAS DEFECTUOSAS, Y HOMELITE NO ASUME NI AUTORIZA A NADIE A ASUMIR EN SU NOMBRE NINGUNA OTRA OBLIGACIÓN. ALGUNOS ESTADOS NO PERMITEN LIMITACIONES EN CUANTO A LA DURACIÓN DE UNA GARANTÍA IMPLÍCITA, POR LO CUAL ES POSIBLE QUE LA LIMITACIÓN ANTERIOR NO SE APLIQUE EN EL CASO DE USTED. HOMELITE NO ASUME NINGUNA RESPONSABILIDAD POR DAÑOS DIRECTOS, INDIRECTOS O DE NINGÚN OTRO TIPO, COMO EL GASTO DE ENVIAR EL PRODUCTO HOMELITE A UN ESTABLECIMIENTO HOMELITE DE SERVICIO AUTORIZADO Y EL GASTO DE ENVIARLO DE ALLÍ AL PROPIETARIO, EL TIEMPO DE VIAJE DEL MECÁNICO, CARGOS TELEFÓNICOS O TELEGRÁFICOS, ALQUILER DE UN PRODUCTO SUSTITUTO DURANTE EL TIEMPO DE REALIZACIÓN DEL SERVICIO DE LA GARANTÍA, VIAJES, PÉRDIDA O DAÑOS A OBJETOS DE PROPIEDAD PERSONAL, PÉRDIDA DE INGRESOS, PÉRDIDA DEL USO DEL PRODUCTO, PÉRDIDA DE TIEMPO O INCONVENIENTES. EN ALGUNOS ESTADOS NO SE PERMITE LA EXCLUSIÓN O LIMITACIÓN DE DAÑOS DIRECTOS O INDIRECTOS, POR LO CUAL ES POSIBLE QUE LA LIMITACIÓN O EXCLUSIÓN DESCRITA ARRIBA NO SE APLIQUE EN SU CASO.

Esta garantía le confiere derechos legales específicos; es posible también que usted goce de otros derechos, los cuales pueden variar de un estado a otro.

Esta garantía se aplica a todos los productos HOMELITE fabricados por o para Homelite y vendidos en Estados Unidos y en Canadá.

Para localizar el establecimiento de servicio autorizado Homelite más cercano, llame al 1-800-242-4672, o visite nuestro sitio Web en www.homelite.com.

NOTES/NOTAS



OPERATOR'S MANUAL

MANUEL D'UTILISATION
MANUAL DEL OPERADOR

UT43100/ 14 in. Electric Chain Saw

Scie à chaîne électrique de 35 cm (14 po)
Motosierra eléctrica de 35 cm (14 pulg.)

UT43120/ 16 in. Electric Chain Saw

Scie à chaîne électrique de 40 cm (16 po)
Motosierra eléctrica de 40 cm (16 pulg.)

ALL VERSIONS
TOUTES LES VERSIONS
TODAS LAS VERSIONES



WARNING:

The engine exhaust from this product contains chemicals known to the State of California to cause cancer, birth defects, or other reproductive harm.

CALIFORNIA PROPOSITION 65



AVERTISSEMENT :

Les gaz d'échappement de ce produit contiennent des produits chimiques identifiés par l'état de Californie comme causes de cancer, de malformations congénitales et d'autres troubles de l'appareil reproducteur.

PROPOSITION 65 DE L'ÉTAT DE CALIFORNIE



ADVERTENCIA:

Las emanaciones provenientes del escape del motor de este producto contienen sustancias químicas reconocidas por el estado de California como causantes de cáncer, defectos congénitos y otras afecciones del aparato reproductor.

CALIFORNIA - PROPUESTA DE LEY NÚM. 65

SERVICE

For parts or service, contact your nearest Homelite authorized service dealer. Be sure to provide all relevant information when you call or visit. For the location of the authorized service dealer nearest you, please call 1-800-242-4672 or visit us online at www.homelite.com.

REPAIR PARTS

The model number of this product is found on a plate or label attached to the housing. Please record the serial number in the space provided below.

MODEL NO. _____

SERIAL NO. _____

• • • • •

DÉPANNAGE

Pour tout entretien ou réparation du produit, contacter le centre de réparations Homelite agréé le plus proche. Veiller à fournir toutes les informations pertinentes lors de tout appel téléphonique ou visite. Pour obtenir l'adresse du centre de réparations agréé le plus proche, téléphoner au 1-800-242-4672, ou visiter notre site www.homelite.com.

PIÈCES DE RECHANGE

Le numéro de modèle se trouve sur une plaquette ou étiquette placée sur le bâti. Noter le numéro de série dans l'espace ci-dessous.

NUMÉRO DE MODÈLE _____

NUMÉRO DE SÉRIE _____

• • • • •

SERVICIO

Para obtener piezas o servicio, comuníquese con el centro de servicio autorizado de Homelite más cercano. Asegúrese de proporcionar todos los datos pertinentes al llamar o al presentarse personalmente. Para obtener información sobre el establecimiento de servicio autorizado más cercano a usted, le suplicamos llamar al 1-800-242-4672 o visitar nuestro sitio en la red mundial, en la dirección www.homelite.com.

PIEZAS DE REPUESTO

El número de modelo de este producto se encuentra en una placa o etiqueta pegada a la caja del motor. Le recomendamos anotar el número de serie en el espacio suministrado abajo.

NÚMERO DE MODELO _____

NÚMERO DE SERIE _____

HOMELITE CONSUMER PRODUCTS, INC.

1428 Pearman Dairy Road, Anderson, SC 29625

1-800-242-4672 • www.homelite.com