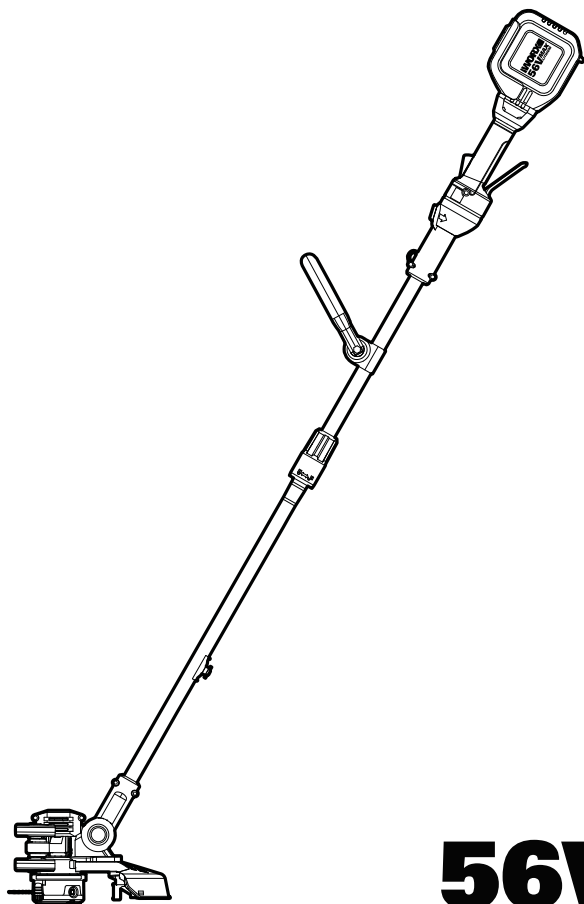


WORX®



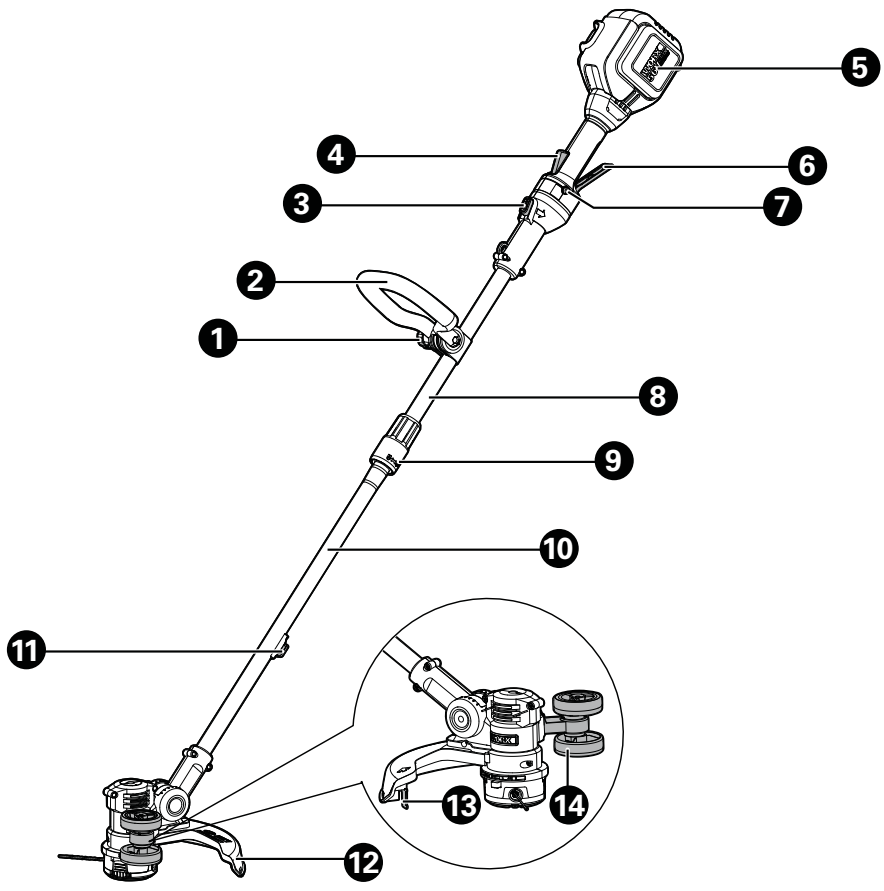
56V^{MAX}
LITHIUM

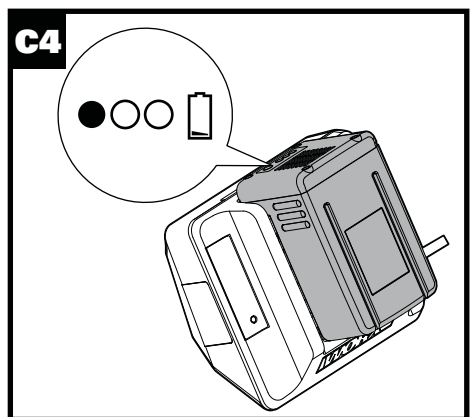
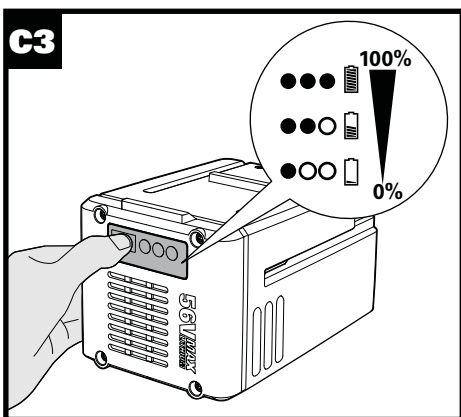
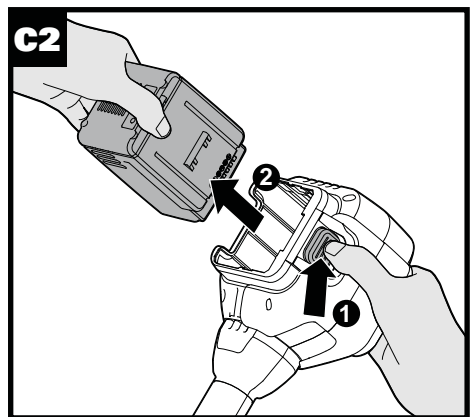
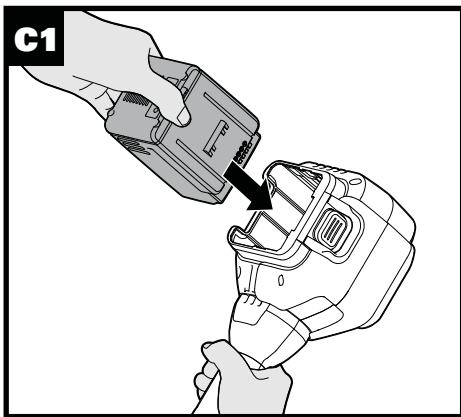
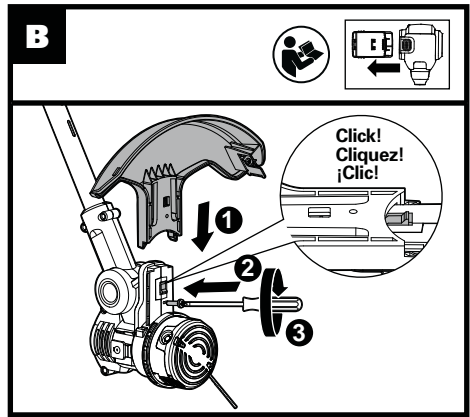
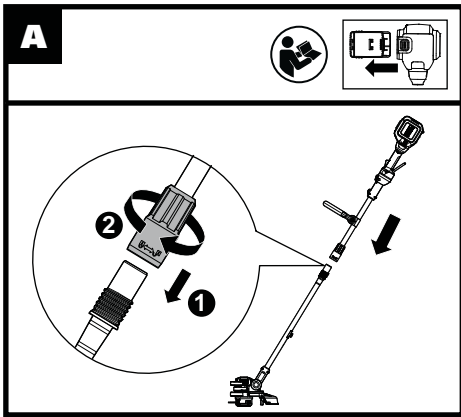
13" Grass Trimmer/Edger	EN	P08
Coupe gazon/Taille-bordure 13"	F	P15
13" Cortadora de cesped/Ribeteadora	ES	P23

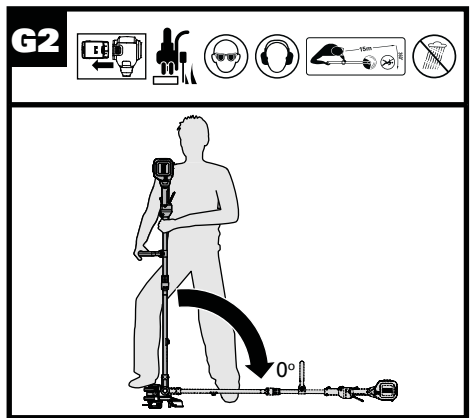
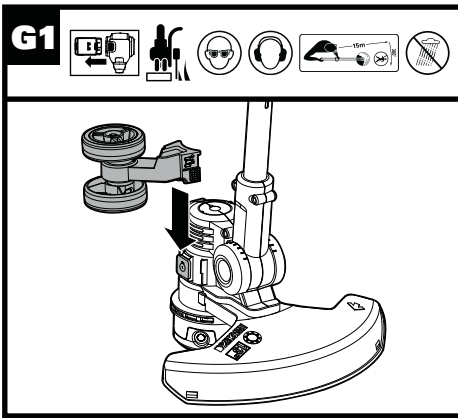
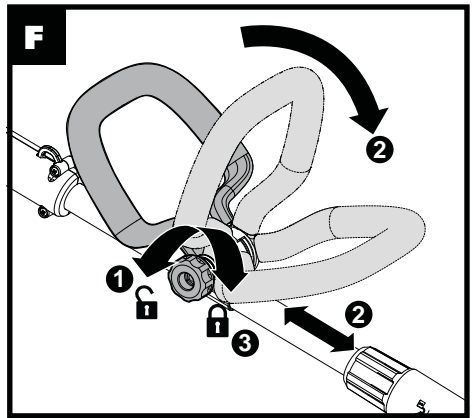
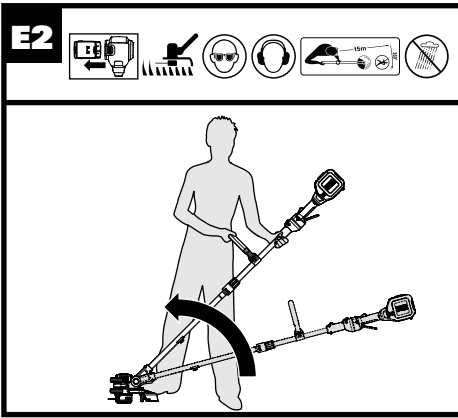
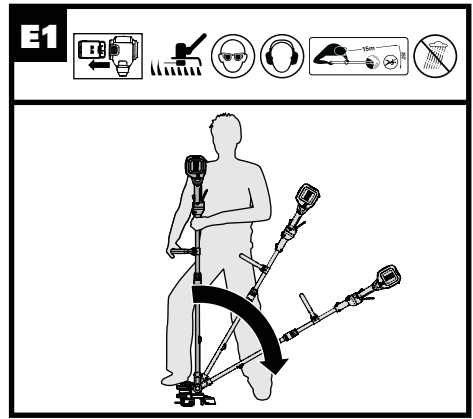
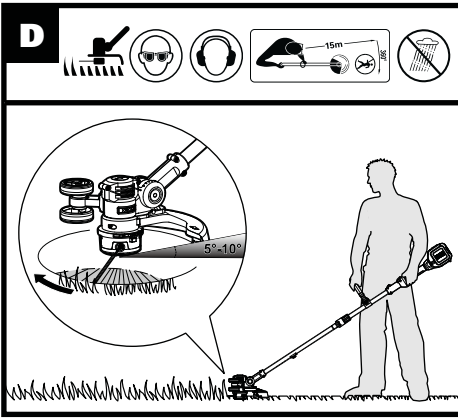


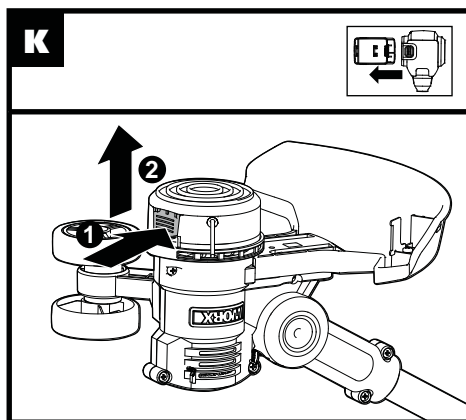
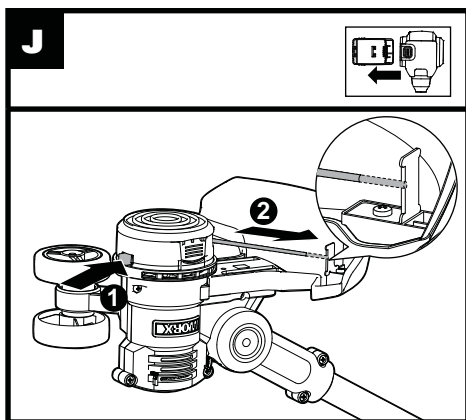
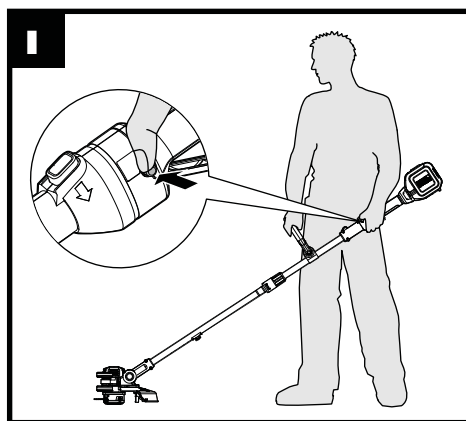
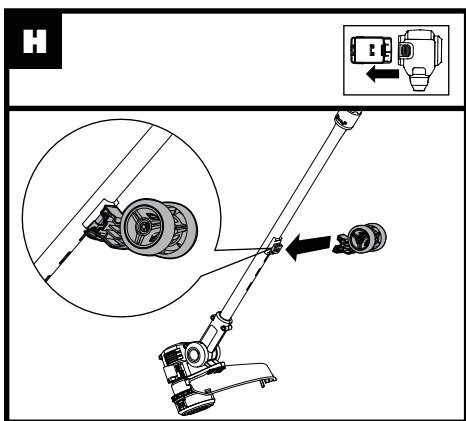
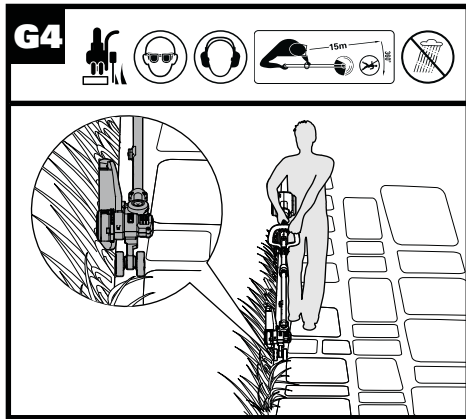
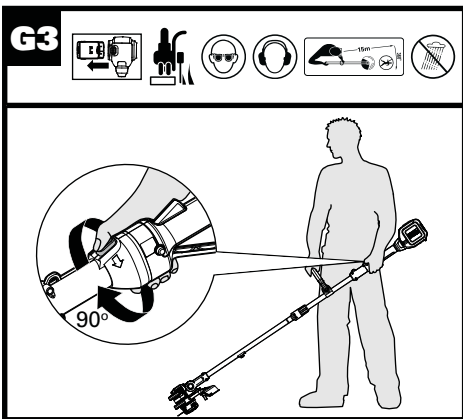
HELPLINE NUMBER
NUMERO DU SERVICE D'ASSISTANCE
NUMERO DE LINEA DE AYUDA
1-866-354-WORX (9679)

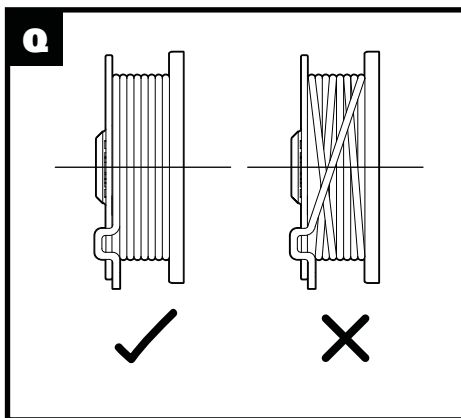
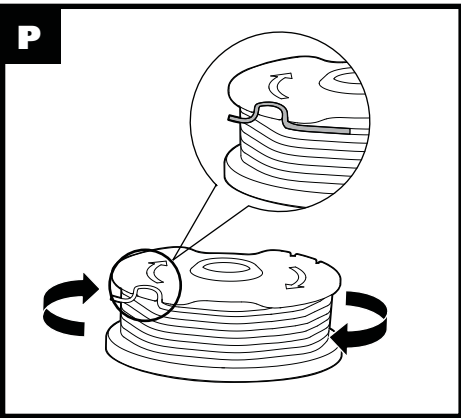
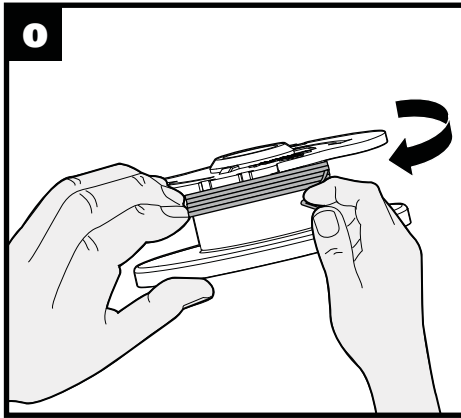
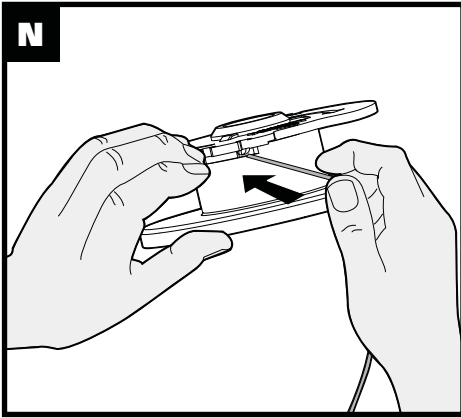
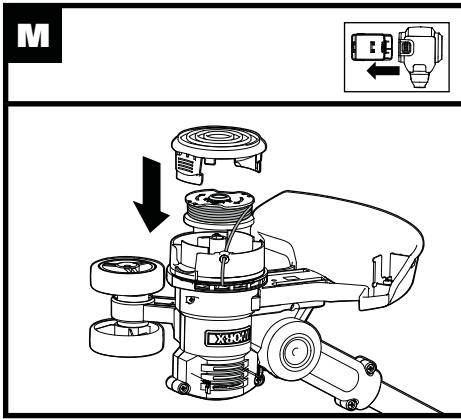
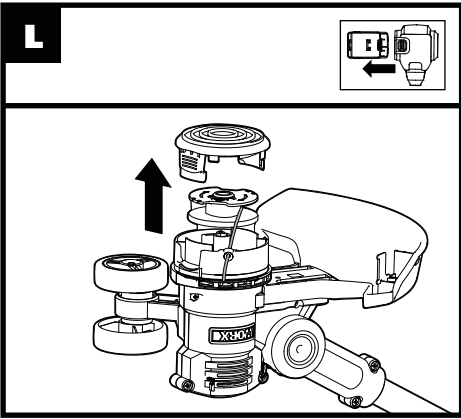
WG191



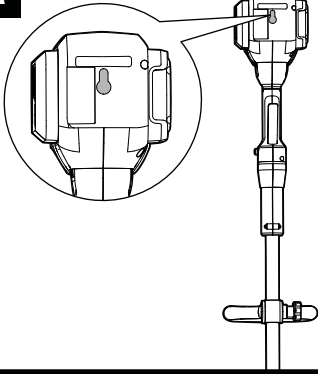








R



- 1. HANDLE ADJUSTMENT KNOB**
- 2. AUXILIARY HANDLE**
- 3. UPPER SHAFT ROTATION BUTTON**
- 4. LOCK OFF SWITCH**
- 5. BATTERY PACK**
- 6. ON/OFF SWITCH**
- 7. COMMAND FEED BUTTON**
- 8. UPPER SHAFT**
- 9. LOCKING COLLAR**
- 10. LOWER SHAFT**
- 11. WHEEL STORAGE POSITION**
- 12. SAFETY GUARD**
- 13. LINE CUTTER**
- 14. EDGER WHEEL**

Not all the accessories illustrated or described are included in standard delivery.

TECHNICAL DATA

Voltage	56V  Max*
No load speed	0-8300/min
Cutting diameter	13"
Line diameter	.080"
Charging time	90min. approx.
Machine weight	8.8lbs

*Voltage measured without workload. Initial battery voltage reaches maximum of 56 volts. Nominal voltage is 50.4 volts.

ACCESSORIES


Battery pack (WA3559)	1
Replacement battery pack: WA3555 (not included)	
Charger (WA3859)	1
Spool (WA0014)	1
Safety guard	1
Edger wheel	1

TOOL REQUIRED FOR ASSEMBLY (not included)


Screwdriver	1
--------------------	----------

We recommend that you purchase your accessories from the same store that sold you the tool. Use good quality accessories marked with a well-known brand name. Choose the type according to the work you intend to undertake. Refer to the accessory packaging for further details. Store personnel can assist you and offer advice.

IMPORTANT SAFETY INSTRUCTIONS

 **WARNING:** When using electric gardening appliances, basic safety precautions should always be followed to reduce the risk of fire, electric shock, and personal injury, including the following:

 **WARNING: Read all instructions**

 **WARNING: This product maybe contains lead, phthalate or other chemicals known to the State of California to cause cancer, birth defects and other reproductive harm. Please wash your hands after use.**

FOR ALL APPLIANCES

- 1) Avoid Dangerous Environment - Don't use appliances in damp or wet locations.
- 2) Don't Use In Rain.
- 3) Keep Children Away - All visitors should be kept at a distance from work area.
- 4) Dress Properly - Do not wear loose clothing or jewelry. They can be caught in moving parts. Use of rubber gloves and substantial footwear is recommended when working outdoors. Wear protective hair covering to contain long hair.
- 5) Use Safety Glasses - Always use face or dust mask if operation is dusty.
- 6) Use Right Appliance - Do not use appliance for any job except that for which it is intended.
- 7) Don't Force Appliance - It will do the job better and with less likelihood of a risk of injury at the rate for which it was designed.
- 8) Don't Overreach - Keep proper footing and balance at all times.
- 9) Stay Alert - Watch what you are doing. Use common sense. Do not operate appliance when you are tired.
- 10) Store Idle Appliances Indoors - When not in use, appliances should be stored indoors in dry, and high or locked-up place - out of reach of children.
- 11) Maintain Appliance With Care - Keep line cutter sharp and clean for best


performance and to reduce the risk of injury. Follow instructions for lubricating and changing accessories. Keep handles dry, clean, and free from oil and grease.

- 12) Check Damaged Parts - Before further use of the appliance, a guard or other part that is damaged should be carefully checked to determine that it will operate properly and perform its intended function. Check for alignment of moving parts, binding of moving parts, breakage of parts, mounting, and any other condition that may affect its operation. A guard or other part that is damaged should be properly repaired or replaced by an authorized service center unless indicated elsewhere in this manual.

SAVE THESE INSTRUCTIONS FOR ALL BATTERY - OPERATED GARDENING APPLIANCES

1. The instruction manual for all battery-operated gardening appliances shall contain the following or equivalent instructions:

- 1) Do not charge appliance in rain, or in wet locations.
- 2) Do not use battery-operated appliance in rain.

 **Always remove or disconnect battery pack before adjusting, cleaning, servicing or transporting the lawn trimmer.**

2. The instruction manual for all battery-operated products employing a detachable or separable battery shall contain the following or equivalent instructions:

- 1) Use only the following type and size battery (ies) WA3559, WA3555.
- 2) Do not dispose of the battery (ies) in a fire. The cell may explode. Check with local codes for possible special disposal instructions or contact Call2Recycle at 1-800-822-8837.
- 3) Do not open or mutilate the battery (ies). Released electrolyte is corrosive and may cause damage to the eyes or skin. It may be toxic if swallowed.
- 4) Exercise care in handling batteries

in order not to short the battery with conducting materials such as rings, bracelets, and keys. The battery or conductor may overheat and cause burns.

- 3. Avoid Unintentional Starting – Do not insert battery with finger on switch. Be sure switch is off when inserting battery.**

SAVE THESE INSTRUCTIONS

ADDITIONAL SAFETY RULES FOR LAWN TRIMMER AND EDGE TRIMMER

1. Keep guards in place and in working order.
2. Do not use this product without the guard being fitted.
3. Keep hands and feet away from cutting area.
4. Do not use heavier lines than recommended in this manual.
5. Do not use line materials of other types – for example, metal wire, rope, and the like.

SAVE THESE INSTRUCTIONS

GENERAL SAFETY WARNINGS FOR BATTERY PACK

- 1) WARNING: Risk of fire and burns. Do not disassemble, heat above 100°C (212°F), or incinerate. Do not expose cells or batteries to heat or fire. Avoid storage in direct sunlight.**
- 2) Dispose of used battery promptly. When disposing of secondary cells or batteries, keep cells or batteries of different electrochemical systems separate from each other.**
- 3) Keep battery out of reach of children and in original package until ready to use.**
- 4) Never put batteries in mouth. If swallowed, contact your physician or local poison control center.**

- 5) CAUTION – The battery used in this device may present a risk of fire or chemical burn if mistreated. Replace battery with (WORX) only. Use of another battery may present a risk of fire or explosion**
- 6) Warning: Do not use a visibly damaged battery pack or appliance as applicable.**
- 7) WARNING: Do not modify or attempt to repair the appliance or the battery pack as applicable.**
- 8) BATTERY MUST BE RECYCLED.**
- 9) Do not short-circuit a cell or battery. Do not store cells or batteries haphazardly in a box or drawer where they may short-circuit each other or be short-circuited by conductive materials.**
- 10) Do not subject cells or batteries to mechanical shock.**
- 11) Keep cells and batteries clean and dry.** Wipe the cell or battery terminals with a clean dry cloth if they become dirty.
- 12) Do not maintain secondary cells and batteries on charge when not in use.**
- 13) Retain the original cell and battery literature for future reference.**
- 14) Do not use any charger other than that specifically provided for use with the equipment.** Secondary cells and batteries need to be charged before use. Always use the correct charger and refer to the manufacturer's instructions or equipment manual for proper charging instructions.
- 15) When possible, remove the battery from the equipment when not in use.

SAVE THESE INSTRUCTIONS

SYMBOLS


	To reduce the risk of injury, user must read instruction manual
	Warning
	Wear ear protection
	Wear eye protection
	To avoid possibility of electric shock, do not use in damp or wet conditions
	Keep all other people, including children, pets and bystanders outside the 15 meters hazard zone, stop the trimmer immediately if you are approached.
	Make sure the battery is removed prior to changing accessories.
	Trimming
	Edging
	Lock

	Unlock
	Li-Ion battery. separate collection, and battery must be recycled
	<p>call2recycle®</p> <p>POSITEC Inc. has established a partnership with the RBRC Corporation to recycle any Positec batteries with the RBRC-call2recycle seal. For environmental protection, please do not discard batteries in the trash. After the batteries' life cycle is ended, then please call 1-800-822-8837 for a free service that will properly dispose of the battery.</p>

ASSEMBLY & OPERATION

Action	Figure
Assembly	
Assembling the Main Handle	See Fig. A
Assembling the Safety Guard	See Fig. B
Installing and Removing the Battery Pack	See Fig. C1,& C2
Checking the Battery Charge Condition	See Fig. C3
Charging the battery pack • More details can be found in WA3859's manual	See Fig. C4
Operation	
Trimming	See Fig. D
Adjusting the Trimmer Head	See Fig. E1 & E2
Adjusting the Auxiliary Handle	See Fig. F
12 Edging	See Fig. G1~G4
Edger wheel storage	See Fig H
Command feeding the line	See Fig.I
Manually feeding the line	See Fig. J
Replacing the trimmer Spool	See Fig.,K L M
Manually winding the line	See Fig. N ,O, P, Q

OPERATION INSTRUCTIONS

 **WARNING!** The charger and battery pack are specially designed to work together so do not attempt to use any other devices. Never insert or allow metallic objects into your charger or battery pack connections because of an electrical failure and hazard will occur.

1. COMMAND FEEDING THE LINE (See Fig. I)

Your trimmer is equipped with a Command Feed System. For efficiently feeding the line, just press the command feed button until you hear the 'clattering' noise of the line cutting. The motor will shut off when pressing the Command Feed button and will restart when releasing the button. During that process the line will automatically feed additional line for cutting.

2. MANUALLY FEEDING THE LINE (See Fig. J)

Turn off the trimmer and remove the battery. If required, line can be fed out manually. To operate, press and release manual Line Feed Button, while gently pulling out the line until it is long enough to reach the Line Cutter. If the line extends past the Line Cutter, too much line has been fed out. If too much line is fed out, remove the Spool Cap and turn Spool counter-clockwise until the line is at the desired length.

3. MANUALLY WINDING THE LINE (See Fig. N,O,P,Q)

Take approximately 20ft (6m) of line. Insert .080" (2mm) of line into the Spool holes and wind line in the direction of the arrows on the top of the Spool. Leave approximately 4" (100mm) of line unwound and place into the cleat. Ensure that the line is neatly coiled on the Spool. Failure to do so will impair the efficiency of the automatic line feed. Then fit the Spool as described above in "Replacing the trimmer line and Spool"

STORING YOUR GRASS TRIMMER

 **Always remove the battery pack from your trimmer after use.**

TO STORE YOUR GRASS TRIMMER

The trimmer is provided with a hanging slot for storing the trimmer on the wall.(See Fig.R) Store in a dry place where the trimmer and battery can be protected from damage.

MAINTENANCE



Always remove the battery pack from your trimmer after use.

Always check the product prior to being used for any damage.

After use, disconnect the battery from the tool and check for damage.

Your power tool requires no additional lubrication or maintenance. There are no user serviceable parts in your power tool.

Never use water or chemical cleaners to clean your power tool. Wipe clean with a dry cloth. Always store your power tool in a dry room temperature location. Keep the motor ventilation slots clean. Keep all working controls free of dust.

TROUBLESHOOTING

The following table gives problems and actions that you can perform if your machine does not operate correctly. If these do not identify and correct the problem, contact your WORX Customer Service at 1-866-354-WORX.



WARNING: Switch the machine off and remove the battery prior to any troubleshooting.

Problems	Possible Causes	Corrective Action
Trimmer fails to operate.	Battery discharged. Battery too hot/cold. Motor is broken. Internal wiring of machine damaged.	Recharge battery; also see the content in charger manual Allow to cool/warm. Contact Service Agent. Contact Service Agent.
Trimmer runs intermittently.	Motor is broken. Battery not fully charged. On/Off switch defective.	Contact Service Agent. Recharge battery. Contact Service Agent.
Excessive vibrations/noise.	Machine defective. Line spool is not wound well.	Contact Service Agent. Rewind the line. See "To fit spool and line assembly."
Cutting time per battery charge too short.	Battery has not been used for long period or only charged for short term. Grass too high. Battery defective.	Fully charge battery; also see the content in charger manual Cut in stages. Replace the battery.
14 Machine does not cut.	Line broken. Battery not fully charged. Motor is broken (speed is too low). Grass entangled around cutting head.	Replace the line Recharge battery; also see the content in charger manual Contact Service Agent. Remove grass.
Continuous lighting of the battery charge indicator. No charging procedure possible.	Battery not (properly) inserted. Battery contacts contaminated. Battery defective.	Properly insert battery into battery charger. Clean the battery contacts or replace the battery. Replace the battery.
Battery charge indicator does not light up.	Plug of battery charger not plugged in (properly). Socket outlet, mains cable or battery charger defective.	Insert mains plug (fully) into the socket outlet. Check the mains voltage; have the battery charger checked by an authorized after-sales service agent.
Command feed does not work	Cutting line is not wound well. The line is tangled. Line is used up.	Manually feed the line, if still can not feed out, remove the Spool out and rewind the line. Replace with a new spool of line.

- 1. BOUTON DE RÉGLAGE DE LA POIGNÉE**
- 2. POIGNÉE AUXILIAIRE**
- 3. BOUTON DE ROTATION DE LA PARTIE SUPÉRIEURE DU MANCHE**
- 4. BOUTON DE VERROUILLAGE**
- 5. BLOCS-PILES**
- 6. INTERRUPTEUR MARCHÉ/ARRÊT**
- 7. BOUTON DE COMMANDE D'ALIMENTATION**
- 8. PARTIE SUPÉRIEURE DU MANCHE**
- 9. COLLIER DE BLOQUAGE**
- 10. PARTIE INFÉRIEURE DU MANCHE**
- 11. POSITIONNEMENT DE STOCKAGE DE LA BOBINE**
- 12. GARDE DE SÉCURITÉ**
- 13. COUPEUR DE CORDON DE COUPE**
- 14. BOBINE DU COUPE-BORDURE**

Les accessoires illustrés ou décrits ne sont pas tous compris dans le cadre de la livraison standard.

DONNÉES TECHNIQUES

Tension	56V  Max*
Vitesse à vide	0-8300/min
Diamètre de coupe	330mm (13po)
Diamètre du fil	2.0mm (.080po)
Temps de chargement	90min. approx.
Poids de la machine	4kg (8.8lbs)

*Tension mesurée hors fonctionnement. La tension initiale de la batterie atteint le maximum de 56 volts. La tension nominale est de 50.4 V.

ACCESSOIRES

Bloc-Piles (WA3559)	1
Blocs-piles de remplacement: WA3555 (non compris)	
Chargeur (WA3859)	1
Bobine (WA0014)	1
Garde de sécurité	1
Bobine du coupe-bordure	1
OUTIL REQUIS POUR L'ASS EMBLAGE (non compris)	
Tournevis	1

Nous vous recommandons d'acheter tous vos accessoires du même magasin qui vous a vendu l'outil. N'utilisez que des accessoires de bonne qualité de marque renommée. Choisissez le type d'outil approprié au travail que vous désirez entreprendre. Pour de plus amples renseignements, consultez l'emballage de l'accessoire. Le personnel du magasin peut également vous conseiller.

CONSIGNES DE SÉCURITÉ



AVERTISSEMENT! Lors de l'utilisation d'appareils électriques de jardinage, des précautions de base doivent être observées afin de réduire les risques de feu, choc électrique, et blessure grave, incluant ce qui suit:



AVERTISSEMENT: Lisez Toutes Les Instructions



AVERTISSEMENT: Ce produit peut contenir du plomb, des phtalates ou d'autres agents chimiques connus dans l'État de Californie pour causer le cancer, des malformations congénitales et d'autres problèmes liés à la reproduction. Lavez vos mains après chaque utilisation.

POUR TOUS LES APPAREILS

- 1) Évitez les environnements dangereux. N'utilisez pas les appareils dans des environnements très humides ou mouillés.
- 2) N'utilisez pas sous la pluie.
- 3) Tenez les enfants éloignés. Tous les visiteurs devraient se tenir éloignés de l'aire de travail.
- 4) Habillez-vous convenablement. Ne portez pas des vêtements lâches ou des bijoux. Ils peuvent se prendre dans les pièces en mouvement. L'utilisation de gants de caoutchouc et chaussures épaisses est recommandée lors de travaux extérieurs. Portez une protection pour cheveux afin de contenir les cheveux longs.
- 5) Utilisez des lunettes de sécurité. Toujours porter un masque pour le visage ou pour la poussière si l'opération est poussiéreuse..
- 6) Utilisez le bon appareil. N'utilisez pas l'appareil pour tout autre travail que pour celui auquel il est destiné.
- 7) Ne forcez pas l'appareil. Il va faire un meilleur travail et avec moins de risques de blessure en travaillant au taux de charge pour lequel il a été conçu.
- 8) N'essayez pas d'utiliser l'appareil hors de votre portée normale. Gardez votre équilibre et les pieds bien ancrés en tout temps.

- 9) Restez alerte. Faites attention à ce que vous faites. Utilisez le bon sens. N'utilisez pas l'appareil lorsque vous êtes fatigué.
- 10) Entrez à l'intérieur les appareils qui ne sont pas utilisés fréquemment. Lorsqu'inutilisés, les appareils devraient être entreposés à l'intérieur dans un endroit sec, élevé et gardé sous clef, hors de la portée des enfants.
- 11) Entretenez les appareils avec soins. Gardez les arêtes de coupe aiguisées et propres pour une meilleure performance et risque réduit de blessure. Suivez les instructions pour lubrifier et changer les accessoires. Gardez les poignées sèches, propres, et libres d'huile et de graisse.
- 12) Vérifier les pièces endommagées. Avant d'employer l'appareil, une garde ou autre pièce endommagée devrait être soigneusement vérifiée afin de déterminer qu'elle fonctionnera correctement et exécutera la fonction pour laquelle elle a été conçue. Vérifier l'alignement des parties mobiles, leur pincement, la brisure de pièces, montage, et toute autre condition qui peut affecter son opération. Une garde ou autre pièce endommagée devrait être correctement réparée ou remplacée par un centre de service autorisé à moins d'avis contraire ailleurs dans ce manuel.

CONSERVEZ CES INSTRUCTIONS INSTRUCTIONS ADDITIONNELLES DE SÉCURITÉ POUR LE TAILLE BORDURE À BATTERIES

1. Le mode d'emploi pour tous les appareils de jardinage fonctionnant avec des batteries doit contenir les instructions suivantes ou des instructions équivalentes:

- 1) Ne chargez pas l'outil sous la pluie, ou dans des endroits mouillés.
- 2) N'utilisez pas des outils alimentés à piles sous la pluie.



Retirez toujours la pile avant de procéder au positionnement de la tête du coupe - herbe/taille-bordure.

2. Le mode d'emploi pour tous les produits fonctionnant avec une

batterie détachable ou séparable doit contenir les instructions suivantes ou des instructions équivalentes:

- 1) Utilisez seulement des piles de type ou grosseurs suivants: WA3559, WA3555.
 - 2) Ne disposez pas des piles en les jetant dans feu. La cellule peut exploser. Vérifiez les réglementations locales pour de possibles instructions spéciales de disposition ou appelez Call2Recycle 1-800-822-8837.
 - 3) N'ouvrez pas et ne mutiliez pas la(les) pile(s). L'électrolyte qui peut s'en échapper est corrosif et peut causer des dommages à vos yeux ou à votre peau. Il peut être toxique si avalé.
 - 4) Lorsque vous manipulez des piles, faites attention de ne pas les court-circuiter avec des matériaux conducteurs tels que bagues, bracelets, et clefs. La pile ou le conducteur peut surchauffer et causer des brûlures.
- 3. Le manuel d'instruction concernant la batterie pour un appareil de jardinage utilisant une pile cellulaire ventilée et humide destinée à être rechargée périodiquement par l'utilisateur doit comporter la mention "ATTENTION" suivi par le texte suivant ou son équivalent.**

CONSERVEZ CES INSTRUCTIONS

PRÉCAUTIONS SUPPLÉMENTAIRES POUR L'UTILISATION DU COUPE-BORDURES

1. Gardez les carters en place et en bon état de fonctionnement.
2. N'UTILISEZ JAMAIS cet appareil SANS que le dispositif de protection ne soit en place.
3. Gardez les mains et les pieds éloignés de la zone de coupe.
4. N'utilisez pas de fils plus épais que ceux recommandés dans ce manuel.
5. N'utilisez pas d'autres types de matériaux pour les fils- par exemple, fil métallique, corde, etc.

CONSERVEZ CES INSTRUCTIONS

CONSIGNES GÉNÉRALES DE SÉCURITÉ CONCERNANT LA BATTERIE

- 1) **AVERTISSEMENT: Risque d'incendie et de brûlures. Ne démontez pas, ne chauffez pas à une température supérieure à 100°C (212°F) et n'incinerez pas l'appareil. N'exposez pas les piles cellulaires ou la batterie à la chaleur ou au feu. Évitez de ranger la batterie dans un endroit exposé à la lumière directe du soleil.**
- 2) **Jetez rapidement les piles usagées. Lors de l'élimination des piles cellulaires ou des batteries, gardez les piles ou les batteries de types électrochimiques différents séparés les uns des autres.**
- 3) **Gardez les piles hors de portée des enfants et dans leur emballage d'origine jusqu'au moment de vous en servir.**
- 4) **Ne mettez jamais les piles dans la bouche. En cas d'ingestion, consultez avec votre médecin ou un centre antipoison.**
- 5) **ATTENTION - La batterie utilisée dans cet appareil peut présenter un risque d'incendie ou de brûlure chimique si elle n'est pas utilisée avec soin. Remplacez la batterie usée uniquement avec une batterie (WORX). L'utilisation de toute autre batterie peut engendrer un risque d'incendie ou d'explosion.**
- 6) **Avertissement : N'utilisez pas la batterie ou l'appareil s'il est visiblement endommagé.**
- 7) **Avertissement : Ne modifiez pas et n'essayez pas de réparer l'appareil ou la batterie vous-même.**
- 8) **LA BATTERIE DOIT ÊTRE RECYCLÉE;**
- 9) **Les bornes de contact d'une pile cellulaire ou d'une batterie ne doivent pas être mises en court-circuit. Ne placez pas en vrac les**

piles ou les batteries dans une boîte ou un tiroir où leurs bornes pourraient être mises en court-circuit par un matériau conducteur.

10) N'exposez pas la pile cellulaire ou la batterie à des chocs mécaniques.

11) Gardez les piles cellulaires et les batteries propres et sèches. Essuyez les bornes de la pile cellulaire ou de la batterie avec un chiffon propre et sec si elles sont sales.

12) Ne laissez pas la pile cellulaire ou la batterie en charge lorsqu'elles ne sont pas utilisées.



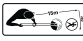
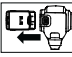


13) Conservez les instructions originales accompagnant la pile cellulaire ou la batterie pour toute future référence.

14) N'utilisez pas un chargeur autre que celui spécifiquement conçu pour être utilisé avec l'équipement. Accumulateurs besoin d'être rechargée avant l'utilisation. Les piles cellulaires et les batteries doivent toujours être chargées avant l'utilisation. Utilisez toujours le chargeur adapté et reportez-vous aux instructions du fabricant ou au manuel de l'équipement pour suivre les instructions concernant la procédure de charge.

15) Si possible, enlevez la batterie de l'équipement lorsqu'il n'est pas utilisé.

CONSERVEZ CES INSTRUCTIONS

SYMBOLES

	Afin de réduire les risques de blessure, l'utilisateur doit lire ce mode d'emploi.
	Avertissement
	Portez une protection auditive
	Un protecteur oculaire et
	Pour éviter tout choc électrique, n'utilisez pas dans un environnement humide ou mouillé
	Éloignez les curieux, les enfants, les animaux et les spectateurs à au moins 15 mètres (50 pieds) de la zone de travail, arrêtez immédiatement le taille-bordure lorsque quelqu'un s'approche de vous.
	Par mesure de sécurité, enlevez la batterie avant de remplacer des accessoires.
	Tonte
	Tonte de bordure
	Verrouiller


	Déverrouiller
	Batterie Li-Ion. Les batteries doivent être recyclées en collecte sélective.
	<p>call2recycle®</p> <p>POSITEC Inc. a formé un partenariat avec RBRC Corporation pour le recyclage des batteries Positec portant le sceau RBRC-call2recycle. Pour la protection de l'environnement, veillez à ne pas jeter les batteries aux poubelles. À la fin du cycle de vie de la batterie, appelez 1-800-822-8837 pour un service gratuit qui mettra la batterie au rebut selon les règles de l'art.</p>

ASSEMBLAGE & FONCTIONNEMENT

Action	Schéma
Assemblage	
Montage du manche	Voir Fig. A
Montage de la garde de sécurité	Voir Fig. B
Installation et remplacement du bloc de batterie	Voir Fig. C1, & C2
Vérification de l'état de charge de batterie	Voir Fig. C3
Chargement de la batterie • Pour plus d'informations, se référer au manuel WA3859	See Fig. C4
Fonctionnement	
Tonte	Voir Fig. D
Réglage de la tête du coupe-bordure	Voir Fig. E1 & E2
Réglage de la poignée auxiliaire	Voir Fig. F
Tonte de bordure	Voir Fig. G1~G4
Bobine de stockage du coupe-bordure	Voir Fig H
Commande d'alimentation du fil	Voir Fig. I
Alimentation manuelle du cordon	Voir Fig. J
Remplacement du cordon de tonte et de la bobine	Voir Fig. K, L, M,
Bobinage manuel du cordon de tonte	Voir Fig. N,O,P,Q,

19

INSTRUCTIONS D'OPERATION

 **AVERTISSEMENT:** Le chargeur et le bloc-piles ont été conçus spécifiquement pour travailler ensemble, alors ne tentez pas d'utiliser d'autres

dispositifs. Ne jamais insérer ou permettre que des objets métalliques soient introduits dans les bornes de connexions de votre chargeur ou bloc-pile, parce qu'une défaillance électrique et un danger vont se produire.

1.COMMANDE D'ALIMENTATION DU FIL DE COUPE (Voir Fig. I)

Votre coupe-bordure est pourvu d'un système de commande d'alimentation. Pour alimenter efficacement le fil, vous n'avez qu'à presser le bouton de la commande d'alimentation jusqu'à ce que vous entendiez le « cliquetis » du fil en train de couper.

Le moteur s'éteint en appuyant sur le bouton de commande d'alimentation et redémarrera en relâchant le bouton. Durant ce processus, le fil se déroulera automatiquement pour allonger le fil de coupe.

2. ALIMENTATION MANUELLE DU CORDON DE COUPE (Voir Fig. J)

Mettez le coupe-herbe à l'arrêt et retirez la batterie. Pressez et relâchez le bouton d'alimentation manuelle du cordon de coupe, tout en tirant doucement sur le cordon de coupe jusqu'à ce qu'il atteigne le coupeur de cordon de coupe. Lorsque la quantité voulue de cordon de coupe est sortie, tirez doucement sur le deuxième cordon de coupe (il n'est pas nécessaire d'appuyer à nouveau sur le bouton d'alimentation manuelle du cordon de coupe). Si le cordon de coupe dépasse le coupeur de cordon de coupe, trop de cordon de coupe a été sorti. Si trop de cordon de coupe est sorti, enlevez le couvercle de la bobine et cliquez la bobine en sens inverse des aiguilles d'une montre, jusqu'à ce que le cordon de coupe soit à la longueur désirée.

3. POUR EMBOBINER LE CORDON DE COUPE MANUELLEMENT (VOIR N,O,P,Q)

Prenez approximativement 20 pieds (6m) de cordon de coupe. Insérez 0.080po (2mm) de cordon de coupe dans les trous de la bobine et enroulez le cordon de coupe dans la direction des flèches indiquée sur le dessus de la bobine. Laissez approximativement 4po (100 mm) de cordon de coupe et placez-le dans le serre-cordon. Répétez pour la section inférieure de la bobine.

Assurez-vous que le cordon de coupe est bobiné avec soins sur la bobine. Un manque à faire cela va altérer l'efficacité du fournisseur automatique de cordon de coupe. Ensuite installez la bobine tel que décrit précédemment dans « Remplacer la ligne de coupe et la bobine ».

ENTREPOSAGE DE TAILLE-BORDURE


 **Retirez toujours la pile du coupe-herbe/taille-bordure lorsque vous avez terminé le travail.**

REMISAGE DE VOTRE TAILLE-BORDURE

Le taille-bordure est équipé d'une fente de suspension qui permet de le ranger sur le mur. (Voir Fig. R)

Rangez dans un endroit sec et sécuritaire où le coupe-herbe/taille-bordure et la pile ne seront pas endommagés.

ENTRETIEN

 **Après usage, déconnectez la machine de l'alimentation et examinez-la afin de déterminer si elle a des dommages. Vérifiez toujours l'appareil avant de l'utiliser pour toute indication de dommage.**

Après usage, déconnectez la machine de l'alimentation et examinez-la afin de déterminer si elle a des dommages. Votre outil électrique ne requiert pas de lubrification additionnelle ou entretien. À l'intérieur de votre outil électrique, il n'y a pas de pièces qui peuvent être entretenues par l'utilisateur. Les taille-bordures électriques devraient être réparés seulement par un dépôt de service qualifié utilisant seulement des pièces et accessoires recommandés par le manufacturier. Ne jamais utiliser d'eau ou des nettoyants chimiques pour nettoyer votre outil. Nettoyez à propre avec un linge sec. Toujours entreposer votre outil électrique dans un endroit sec hors d'atteinte des enfants. Gardez les fentes de ventilation du moteur propres. Gardez tous les contrôles de l'appareil libres de poussière.

DÉPANNAGE

Le tableau suivant décrit les vérifications et les interventions que vous pouvez effectuer si votre appareil ne fonctionne pas correctement. Si par ces actions vous ne parvenez pas à identifier et régler le problème, consultez un agent de soutien à la clientèle, contactez le centre d'assistance aux consommateurs WORX au 1-866-354-WORX.



AVERTISSEMENT! Éteindre l'appareil et retirer la batterie avant toute tentative de réparation.

Problème	Causes possibles	Mesures correctives
Appareil ne se mettant pas en marche.	Batterie déchargée. Batterie trop chaude/froide. Moteur brisé. Filage interne de l'appareil endommagé.	Recharger batterie; voir aussi "COMMENT CHARGER VOTRE BLOC-PILES". Laisser la batterie se refroidir ou se réchauffer. Consulter un agent de soutien technique. Consulter un agent de soutien technique.
Appareil fonctionnant par intermitence.	Moteur brisé. Batterie partiellement déchargée. Interrupteur Marche/Arrêt défectueux.	Consulter un agent de soutien technique. Recharger batterie. Consulter un agent de soutien technique.
Vibrations/bruits excessifs	Appareil défectueux. Bobine du fil coupant est mal enroul.	Consulter un agent de soutien technique. Rebobiner le fil. Voir "Changement de la bobine du cordon de coupe".
Le délai de coupe par charge de batterie est trop court.	Batterie inutilisée pour une longue période ou chargée dans une période trop courte. Herbe trop longue. Batterie défectueuse.	Charger la batterie à pleine charge; voir aussi "COMMENT CHARGER VOTRE BLOC-PILES". Couper en plusieurs étapes. Remplacer la batterie.
Appareil ne coupant pas.	Fil brisé. Batterie partiellement déchargée. Moteur brisé.(régime moteur trop bas). Tiges d'herbe entremêlées autour de la tête coupante.	Remplacez la ligne Recharger batterie; voir aussi "COMMENT CHARGER VOTRE BLOC-PILES". Consulter un agent de soutien technique. Retirer les herbes.
Voyant lumineux de la batterie ne s'éteignant pas. Impossible de charger la batterie.	Batterie mal mise. Vert-de-gris sur les contacts batterie. Batterie défectueuse.	Remettre correctement la batterie dans son chargeur. Nettoyer les contacts batterie ou remplacer la batterie. Remplacer la batterie.

Indicateur de charge de la batterie ne s'allumant pas.	La prise du chargeur batterie n'est pas branchée. Socle à verrouillage, câbles principaux ou chargeur batterie défectueux.	Insérer (à fond) la prise principale dans le socle à verrouillage. Vérifier la tension des câbles d'alimentation principale; faites vérifier le chargeur de batterie par un agent autorisé de soutien technique après-vente.
La commande d'alimentation ne fonctionne pas	Le fil de coupe n'est pas enroulé correctement. Le fil est mêlé. Le fil est usé.	Enrouler le fil manuellement, s'il ne se déroule toujours pas, retirer la bobine et le rebobiner. Remplacer par une nouvelle bobine de fil.

- 1. PERILLA DE AJUSTE DEL MANGO**
- 2. MANGO AUXILIAR**
- 3. BOTÓN DE ROTACIÓN DEL EJE SUPERIOR**
- 4. BOTÓN DE BLOQUEO DE APAGADO**
- 5. PAQUETE DE BATERIAS**
- 6. INTERRUPTOR DE ENCENDIDO/APAGADO**
- 7. BOTÓN DE ALIMENTACIÓN AUTOMÁTICA**
- 8. EJE SUPERIOR**
- 9. COLLAR DE BLOQUEO**
- 10. EJE INFERIOR**
- 11. POSICIÓN DE ALMACENAMIENTO DE LA RUEDA**
- 12. GUARDA PROTECTORA DE SEGURIDAD**
- 13. CUCHILLA DEL HILO**
- 14. RUEDA BORDEADORA**

No todos los accesorios ilustrados o descritos se incluyen junto con el producto estándar.

DATOS TÉCNICOS

Voltaje nominal	56V  Max*
Velocidad nominal sin carga	0-8300/min
Diámetro de corte	13pulg.(330mm)
Diámetro del hilo	.080pulg.(2.0mm)
Tiempo normal de carga	90min. approx.
Peso de la máquina	8.8lbs (4kg)

* Voltaje medido sin carga de trabajo. El voltaje inicial de la batería alcanza un máximo de 56V. El voltaje nominal es 50.4V.

ACCESORIOS

Batería (WA3559)	1
Baterías de repuesto: WA3555 (no incluido)	
Cargador (WA3859)	1
Bobina (WA0014)	1
Guarda protectora de seguridad	1
Rueda bordeadora	1

HERRAMIENTA NECESARIA PARA EL ARMADO(no incluido)

Destornillador	1
-----------------------	----------

Le recomendamos que compre todos los accesorios en la tienda donde adquirió la herramienta. Use accesorios de buena calidad una marca bien conocida. Seleccione los que más convengan al trabajo que intenta hacer. Consulte el empaque de los accesorios para obtener más detalles. El personal de la tienda también puede ayudarle y aconsejarle.

INSTRUCCIONES DE SEGURIDAD



¡ADVERTENCIA! Cuando se emplean herramientas eléctricas para jardinería, siempre deben seguirse ciertas pautas básicas de seguridad a fin de reducir el riesgo de incendio, descarga eléctrica o lesión seria, incluyendo las siguientes:



¡ADVERTENCIA! Lea y comprenda todas las instrucciones.

ADVERTENCIA: Este producto podría contener plomo, ftalato y otros químicos identificados por el Estado de California como causantes de cáncer, defectos congénitos y otras lesiones reproductivas. Lávese las manos después de utilizar.

PARA TODAS LAS HERRAMIENTAS

- 1) Evite ambientes peligrosos. No utilice las herramientas en lugares húmedos o mojados.
- 2) No trabaje bajo la lluvia.
- 3) Mantenga alejados a los niños. Todos los visitantes deben mantenerse a distancia del área de trabajo.
- 4) Vístase apropiadamente. No use ropas sueltas o alhajas, ya que pueden quedar atrapadas en las piezas móviles. Cuando se trabaja al aire libre se recomienda el uso de guantes de goma y calzado resistente. Emplee protección adecuada para contener el cabello largo.
- 5) Utilice gafas de seguridad. Emplee siempre máscara para la cara o máscara anti-polvo en operaciones donde se emite mucho polvo.
- 6) Utilice la herramienta correcta. Emplee la herramienta únicamente para la finalidad para la cual fue diseñada.
- 7) No fuerce la herramienta. Hará un trabajo mejor y más seguro a la velocidad para la cual fue diseñada.
- 8) No se extralimite. Manténgase firme y con buen equilibrio en todo momento.
- 9) Permanezca alerta. Ponga siempre atención en lo que está haciendo. Utilice el sentido común. No opere la herramienta cuando esté cansado.

- 10) Guarde las herramientas que no usa en lugares cerrados. Cuando no se encuentran en uso, las herramientas deben guardarse en un lugar seco, elevado o cerrado con llave, lejos del alcance de los niños.
- 11) Mantenga la herramienta con cuidado. Conserve los bordes cortantes limpios y bien afilados, a fin de obtener el mejor rendimiento y reducir los riesgos de lesiones. Siga las instrucciones para la lubricación y el cambio de accesorios. Mantenga los mangos secos, limpios y libres de aceite y grasa.
- 12) Verifique las piezas dañadas. Las guardas protectoras u otras partes dañadas deben verificarse cuidadosamente antes de cualquier uso futuro de la herramienta, a fin de determinar si funcionarán correctamente y realizarán la función prevista. Compruebe que las piezas móviles se encuentren alineadas y correctamente ajustadas, que no haya rotura de piezas, de montaje o cualquier otra condición que pueda afectar su funcionamiento. Una guarda protectora u otra pieza que se encuentre dañada debe ser reparada o sustituida correctamente en un centro de servicio autorizado, a menos que en este manual de instrucciones se indique lo contrario.

CONSERVE ESTAS INSTRUCCIONES INSTRUCCIONES ADICIONALES DE SEGURIDAD PARA BORDEADORA DE CÉSPED A BATERÍAS

1. El manual de instrucciones de cualquier aparato de jardinería que funcione con baterías debe contener las siguientes instrucciones u otras equivalentes:

- 1) No cargue el artefacto en la lluvia, o en lugares húmedos.
- 2) No use artefactos a batería bajo la lluvia.



Extraiga siempre la batería antes de ajustar la posición del cabezal de la bordeadora

2. El manual de instrucciones de cualquier aparato que funcione

con baterías y emplee una batería desmontable o independiente debe contener las siguientes instrucciones u otras equivalentes:

- 1) Use únicamente el siguiente tipo y tamaño de baterías: WA3559, WA3555.
- 2) No tire las baterías al fuego. Pueden llegar a explotar. Consulte los códigos locales para obtener instrucciones especiales de desecho o comuníquese con Call2Recycle al 1-800-822-8837.
- 3) No abra ni mutile las baterías. El electrolito que se puede liberar es corrosivo y puede provocar daños a los ojos o la piel. Puede ser tóxico si se traga.
- 4) Tenga cuidado al manipular la batería para no hacer un cortocircuito con materiales conductores como anillos, brazaletes y llaves. La batería o el conductor pueden recalentarse y causar quemaduras.
3. **El manual de instrucciones de una herramienta de jardín de funcionamiento a batería que utiliza una alimentación de batería de celda húmeda ventilada diseñada para su carga inicial o periódica por parte del usuario deberá incluir el término "PRECAUCIÓN" seguido del siguiente mensaje o similar:**

CONSERVE ESTAS INSTRUCCIONES

INSTRUCCIONES DE SEGURIDAD ADICIONALES PARA LA CORTADORA DE CÉSPED

1. Mantenga las guardas en su ubicación y en condiciones de funcionamiento.
2. NO utilice este producto SIN la guarda instalada.
3. Mantenga las manos y pies alejados del área de corte.
4. No utilice líneas más gruesas que las recomendadas en este manual.
5. No utilice materiales de línea de otro tipo, como cable de metal, cuerda o elemento similar.

CONSERVE ESTAS INSTRUCCIONES

ADVERTENCIAS DE SEGURIDAD GENERAL PARA EL PAQUETE DE BATERÍA







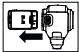



- 1) **ADVERTENCIA: Riesgo de incendio y quemaduras. No desarmar, calentar por encima de los 100° C (212° F), ni incinerar. No exponga las celdas o baterías al calor o fuego. Evite guardar a la luz directa del sol.**
- 2) **Deseche las baterías usadas de inmediato. Cuando deseche las celdas o baterías secundarias, mantenga las celdas o baterías de sistemas electroquímicos diferentes separadas entre sí.**
- 3) **Mantenga las baterías fuera del alcance de los niños y en el paquete original hasta que estén listas para usar.**
- 4) **Nunca se lleve las baterías a la boca. Si se tragan, contacte a su médico o al centro de control de envenenamiento local.**
- 5) **PRECAUCIÓN - La batería usada en este dispositivo puede presentar riesgo de incendio o quemadura química si se manipula en forma incorrecta. Reemplace la batería con (WORX) solamente. El uso de otra batería puede presentar riesgo de incendio o explosión**
- 6) **Advertencia: no use un paquete de batería o dispositivo visiblemente dañado según corresponda.**
- 7) **Advertencia: no modifique ni intente reparar el dispositivo o batería según corresponda.**
- 8) **LA BATERÍA DEBE RECICLARSE**
- 9) **Evite cortocircuitos de celda o batería. No guarde las celdas o baterías en forma peligrosa en una caja o cajón donde puedan hacer cortocircuito entre sí o con materiales conductivos.**
- 10) **No someta las celdas o baterías a descargas mecánicas.**
- 11) **Mantenga las celdas y baterías limpias y secas. Limpie las terminales de batería o celda con un paño seco y**

limpio si se ensucian.

- 12) No mantenga en carga las celdas y baterías secundarias cuando no estén en uso.**
- 13) Conserve la información de la batería y celda originales para referencia futura.**
- 14) No use cargadores que no sean los específicamente suministrados para uso con el equipo. Las celdas y baterías secundarias se deben cargar antes del uso. Siempre use el cargador correcto y consulte las instrucciones del fabricante o el manual del equipo para saber las instrucciones correctas de carga.
- 15) Cuando sea posible quite la batería del equipo cuando no esté en uso.

CONSERVE ESTAS INSTRUCCIONES

SÍMBOLOS

	Para reducir el riesgo de lesiones, el usuario deberá leer el manual de instrucciones
	Advertencia
	Emplee protección auditiva
	Emplee protección ocular
	Para evitar el riesgo de descarga eléctrica, no utilice en ambientes húmedos o mojados
	Mantenga a todas las demás personas, incluyendo niños, animales y visitantes a 15 metros de la zona de peligro. Detenga inmediatamente la bordeadora si alguien se le aproxima.
	Asegúrese de extraer la batería antes de cambiar los accesorios
	Desmalezado
	Bordeado
	Bloqueo

	Desbloqueo
	Batería de iones de litio. Recolección por separado. La batería deberá reciclarse.
	<p>call2recycle®</p> <p>POSITEC Inc. ha establecido una asociación con la empresa RBRC para el reciclaje de todas las baterías Positec que posean el sello RBRC-call2recycle. Para contribuir con la protección del medio ambiente, no deseche las baterías como residuos normales. Después de que haya finalizado el ciclo de vida útil de la batería, comuníquese al 1-800-822-8837 para acceder al servicio gratuito</p>

ENSAMBLE & FUNCIONAMIENTO

Acción	Figura
Ensamble	
Armado del mango principal	Consulte la Figura. A
Armado de la guarda de seguridad	Consulte la Figura. B
Instalación y extracción de la batería	Consulte la Figura. C1,& C2
Revisar la condición de carga de la batería	Consulte la Figura. C3
Carga de la batería • Se pueden encontrar más detalles en el manual del WA3859	Consulte la Figura. C4
Funcionamiento	
Desmalezado	Consulte la Figura .D
Ajuste del cabezal de la cortadora de césped	Consulte la Figura E1 & E2
Ajuste del mango auxiliar	Consulte la Figura. F
Bordeado	Consulte la Figura G1~G4
Almacenamiento de la rueda bordeadora	Consulte la Figura .H
Abastecimiento automático del hilo	Consulte la Figura. I
Alimentación manual de la línea	Consulte la Figura. J
Reemplazo de la línea y bobina de la bordeadora	Consulte la Figura. K,L,M
Bobinado manual de la línea	Consulte la Figura. N,O,P,Q

INSTRUCCIONES DE FUNCIONAMIENTO



ADVERTENCIA: Tanto el cargador como el pack de batería están diseñados para operar conjuntamente, de modo que no debe utilizarse ningún otro dispositivo. Nunca inserte objetos metálicos en las conexiones del cargador o del pack de batería, pues incurriría en peligro de avería eléctrica.

1. ABASTECIMIENTO AUTOMÁTICO DEL HILO (Consulte la Figura. I)

La cortadora de césped posee un sistema de alimentación automática. Para una alimentación eficiente del hilo, simplemente presione el botón de alimentación automática hasta que escuche un ruido de golpeteo de corte del hilo.

El motor se apagará al presionar el botón de alimentación automática y se reiniciará al soltar el botón. Durante este proceso, se alimentará automáticamente hilo adicional para el corte.

2. ABASTECIMIENTO MANUAL DEL HILO (Consulte la Figura. J)

Apague la podadora y extraiga la batería. Presione y afloje el botón de abastecimiento manual de hilo mientras tira suavemente de los hilos hasta que estos lleguen a la cuchilla. Cuando se ha abastecido la longitud requerida de hilo, tire suavemente del segundo hilo (no es necesario presionar nuevamente el botón de abastecimiento manual). Si el hilo se extiende más allá de la cuchilla, se ha suministrado demasiado.

En tal caso, retire la tapa de la bobina y mueva la bobina en sentido counter-horario hasta lograr la longitud de hilo deseada.

3. BOBINADO MANUAL DE LA LÍNEA (Consulte la Figura. N, O,P,Q)

Tome aproximadamente 6 metros de hilo e inserte .080pulg. (2mm) dentro de uno de los orificios de la parte superior de la bobina. Enrolle el hilo en la dirección de las flechas sobre la parte superior de la bobina. Siempre enrolle 4pulg. (100mm) el hilo comenzando por la parte superior de la bobina. Debe ponerse especial cuidado en asegurarse de que el hilo esté prolijamente

enrollado alrededor de la bobina. De lo contrario, se deteriorará la eficiencia del abastecimiento automático de hilo. Luego instale la bobina tal como se describe más arriba en " Reemplazo de la línea y bobina de recorte".

CÓMO GUARDAR SU BORDEADORA DE CESPED



Extraiga siempre la batería de la bordeadora después de utilizarla.

ALMACENAMIENTO DE LA CORTADORA DE CÉSPED

El podador se proporciona con una ranura para colgar, a fin de colgarlo en la pared.

(Consulte la Figura. R)

Almacene en un lugar seco donde la bordeadora y la batería estén protegidas contra los daños.

ENTRETIEN



Luego del uso, desconecte la máquina del tomacorriente y verifique si hay daños.

Inspeccione siempre el producto antes de utilizarlo para comprobar si posee algún daño.

Luego del uso, desconecte la máquina del tomacorriente y verifique si hay daños. Su herramienta eléctrica no requiere de lubricación ni mantenimiento adicional. No posee piezas en su interior que puedan ser reparadas por el usuario. Las cortadoras eléctricas deben ser reparadas exclusivamente por personal autorizado. Utilice repuestos y accesorios recomendados únicamente por el fabricante. Nunca emplee agua o productos químicos para limpiar su herramienta. Use simplemente un paño seco. Guarde siempre su herramienta en un lugar seco y fuera del alcance de los niños. Mantenga limpias las ranuras de ventilación del motor. Mantenga todos los controles de funcionamiento libres de polvo.

SOLUCIÓN DE PROBLEMAS

La siguiente tabla incluye comprobaciones y acciones que puede realizar si la herramienta no funciona de forma correcta. Si éstas no identifican y corrigen el problema, póngase en contacto con el servicio de atención al cliente de WORX al 1-866-354-WORX.



ADVERTENCIA: Apague la herramienta y extraiga la batería antes de efectuar la resolución de problemas.

Problemas	Posibles causas	Acción correctiva
La podadora no funciona.	Batería descargada. Batería demasiado caliente/fría. Motor dañado. Cableado interno de la herramienta dañado.	Vuelva a cargar la batería; consulte también " CÓMO CARGAR EL PACK DE BATERÍA ". Espere a que la batería se enfríe/caliente. Póngase en contacto con un agente de servicio técnico. Póngase en contacto con un agente de servicio técnico.
La podadora funciona de forma intermitente.	Motor dañado. Batería no cargada totalmente. Interruptor de encendido/apagado dañado.	Póngase en contacto con un agente de servicio técnico. Vuelva a cargar la batería . Póngase en contacto con un agente de servicio técnico.
Vibraciones/ ruidos excesivos.	Herramienta defectuosa. Bobina de línea no bobinada de forma correcta.	Póngase en contacto con un agente de servicio técnico. Rebobine la línea. Consulte "Colocación del conjunto de la bobina y línea".
El tiempo de corte por carga de la batería es demasiado bajo.	No se utilizó la batería durante un período de tiempo extenso o se la cargó sólo durante poco tiempo. Césped demasiado alto. Batería defectuosa.	Cargue por completo la batería; consulte también " CÓMO CARGAR EL PACK DE BATERÍA ". Realice el corte por etapas. Reemplace la batería.
La herramienta no corta.	Línea dañada. Batería no cargada totalmente. Motor dañado. (velocidad demasiado lenta). Césped enredado alrededor del cabezal de corte.	Reemplace la línea. Vuelva a cargar la batería; consulte también " CÓMO CARGAR EL PACK DE BATERÍA ". Póngase en contacto con un agente de servicio técnico. Extraiga el césped.

<p>Encendido continuo del indicador de carga de la batería. No es posible efectuar el procedimiento de carga.</p>	<p>Batería no colocada (de forma correcta). Contactos de la batería sucios. Batería defectuosa.</p>	<p>Coloque correctamente la batería en el cargador de baterías. Limpie los contactos de la batería Reemplace la batería. Reemplace la batería.</p>
<p>El indicador de carga de la batería 18 no se enciende.</p>	<p>Cargador de baterías no enchufado(de forma correcta). Tomacorriente, cable de alimentación o cargador de baterías dañado.</p>	<p>Inserte el enchufe (por completo) en el tomacorriente. Compruebe la tensión de la alimentación. Haga revisar el cargador de baterías por un agente de postventa autorizado.</p>
<p>La alimentación automática no funciona.</p>	<p>Bobina de línea no bobinada de forma correcta. Línea enredada. La línea se encuentra agotada.</p>	<p>Alimente manualmente la línea. Si continúa sin poder realizarse la alimentación, extraiga la bobina y rebobine la línea. Reemplace por una nueva bobina de línea.</p>

WORX
it's your nature

www.worx.com

Copyright © 2014, Positec. All Rights Reserved.
2CGT13APK11000A0