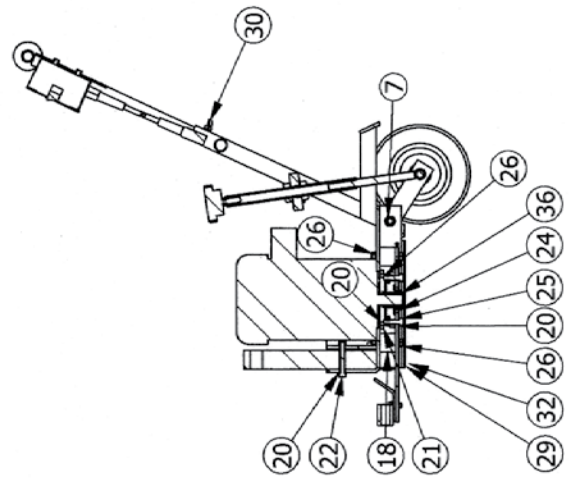
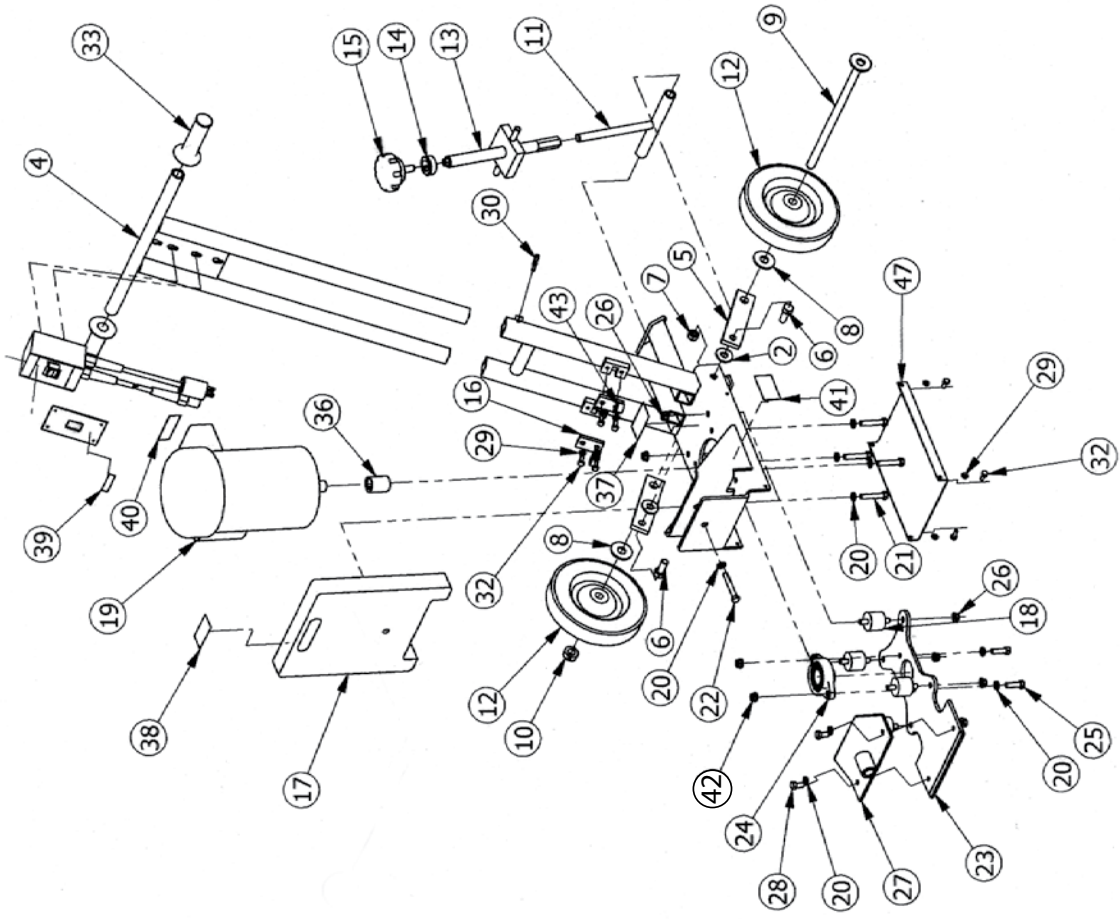


# MK-VTS/50 OWNER'S MANUAL & OPERATING INSTRUCTIONS



Revision 107	04.2015
Manual Part No. 167790	

**Caution:** Read all safety and operating instructions before using this equipment. This owners manual **MUST** accompany the equipment at all times.



# MK-VTS/50 FLOOR SCRAPER

# PARTS LIST

ITEM NO.	DESCRIPTION	PART #	QTY.
1	CHASSIS/MK-VTS/50	PG-10128	1
2	WASHER/FLAT 1/2" GB STL	500160	2
3	PIVOT PLATE ASSEMBLY/MK-VTS/50	PG-10126	1
4	HANDLE WELDMENT / MK-VTS/50	PG-10131	1
5	WHEEL LEG	06-500-25	2
6	SCR/CAP HEX 1/2"-13 X 1.25"	5002200	2
7	1/2"-13 NYLOX NUT	05-78108	2
8	WASHER/FLAT 5/8" GB	5001070	2
9	AXLE WELDMENT / MK-VTS/50	06-500-30	1
10	COLLAR, 1.13" OD X .625" ID X .50" WIDE	CP-10100	1
11	ADJUSTMENT T-BAR WELDMENT	06-550-4	1
12	8" REAR WHEEL, 8" OD X 5/8" HUB X 1-7/8" WIDE	06-500-29	2
13	ADJUSTMENT SHAFT WELDMENT/MK-VTS/50	PG-10127	1
14	COLLAR, 1-1/2" X 7/8" ID X .55" WIDE	CP-10099	1
15	AXLE ADJUSTMENT KNOB /MK-VTS/50	CP-10098	1
16	PIVOT BRKT COVER	06-550	2
17	FRONT COUNTER WEIGHT/MK-VTS/50	PA-10607	1
18	SHOCK ABSORBER/60 DURO NEOPRENE/MK-VTS/50	06-505-102	4
19	MOTOR/ELECTRIC 1HP, 60HZ	06-550-10	1
20	WASHER, LOCK, SPLIT 3/8"	150925	9
21	SCR/CAP HEX 3/16" - 16 X 2.00" G5 STL	5002000	4
22	SCREW, HEX HD, CAP, 3/8-16X2-1/2	156030	1
23	CUTTING HEAD / MK-VTS/50	PA-10622	1
24	FLANGE BEARING / 2 BOLT	06-5280-6	1
25	SCR/CAP HEX .375 -16 X 1.250" G5 STL	5007680	2
26	NUT, HEX, SFL, 5/16 - 18	5000810	8
27	TOOL HOLDER WELDMENT / MK-VTS/50	PG-10130	1
28	SCR/CAP HEX .375 - 16 X .75" GS STL	5001190	2
29	WASHER/LOCK 1/4"	500930	7
30	.375 - 16 X 1.00" THUMB SCREW FLT POINT	800766	2
32	SCR/CAP HEX .250 - 20 X .625" G5 STL	5001730	8
33	HANDLE/GRIP 4.5 LONG X 7/8: ID	P004024	2
34	PANEL/ELEC. CONTROL - MK-VTS/50 120V/60HZ	P004942	1
35	PLATE, SWITCH COVER PLATE / MK-VTS/50	PA-10544	1
36	ECCENTRIC / MK-VTS/50	06-550-101	1
37	PLATE/SERIAL-NUMBER USF/SAWTEC	05-55501	1
38	DECAL/WARNING-EYE AND EAR PROTECTION	05-65643	1
39	DECAL / 120 VOLT	05-65647	1
40	DECAL/ DO NOT USE EQUIPMENT TO FILTER	P004118	1
41	DECAL/MADE IN USA	P001420	2
42	NUT, HEX, CL, 3/8 - 16	153522	2

<b>ITEM NO.</b>	<b>DESCRIPTION</b>	<b>PART #</b>	<b>QTY.</b>
43	VINYL COATED LOOP STRAP FOR 1/2" OD	800756	2
44	MANUAL-MK-VTS/50	167790	1
45	30L X 16W X 19.5H DBL WALL W/HANDLES SHIPPING BOX	CP-10122	1
46	TUBE/MANUAL	P003235	1
47	BOTTOM COVER / MK-VTS/50	PA-10599	1

## NOTES

**ORDERING INFORMATION**

---

You may order MK Diamond products through your local MK Diamond distributor or, you may order direct from MK Diamond.

When ordering direct from MK Diamond, please have the following information ready before calling:

- The Model Number of the saw
- The Serial Number of the saw
- Where the saw was purchased and when
- The Part Number for the part(s) being ordered
- The Part Description for the part(s) being ordered

**NOTE:** There is a \$25.00 minimum order when ordering direct from MK Diamond. A \$6.00 charge will be added to orders having a net billing value under \$50.00. All purchases must be made using VISA, MasterCard or American Express.

All parts may be ordered by calling toll free to – 800 421-5830 or 310 539-5221 and asking for Customer Service. For technical questions, call – 800 474-5594.

**RETURN MATERIALS POLICY**

---

To expedite the service relative to the return of a product purchased through MK Diamond, please observe the following:

**NOTE:** When returning all items, they must have been purchased within the previous twelve (12) months.

- Have the Model Number of the saw
- Have the Serial Number of the saw
- Have the location of where the saw was purchased
- Have the date when the saw was purchased
- Contact Customer Service for approval to return the item(s)
- Obtain a Returned Goods Number (RGA) authorizing the return
- Follow the packaging instructions in the following section
- Ensure your item(s) are prepaid to the destination

For returned items, call toll free to – 800 421-5830 or 310 539-5221 and ask for Customer Service. For technical questions, call – 800 474-5594 or 310 257-2845.

**PACKAGING INSTRUCTIONS**

---

- Dry the Floor Scraper before shipping
- When packing, include the following: MK-VTS/50 Floor Scraper, nose weight and handle.
- Package the unit in its original container or one of comparable size (do not ship the unit partially exposed)
- Ensure all parts are secured in the packaging to prevent moving

**AUTHORIZED SERVICE CENTERS**

---

For quicker repair time, you may contact MK Diamond Customer Service, toll free, at 800 421-5830 or 310 539-5221 for the Authorized Service Center closest to you or visit our web site at [www.mkdiamond.com](http://www.mkdiamond.com). For technical questions, call – 800 474-5594.

**CONTACT:**

Please contact MK Diamond Products, Inc. Customer Service Department with any questions you might have regarding distributors, parts or service.

Telephone: **(800) 421-5830**

Fax: **(310) 539-5158**

E-mail: **Customer\_Service@MKDiamond.com**

Customer Service Hours: **Monday through Friday, 6AM-4PM PST**

**MK Diamond Products, Inc.**

**1315 Storm Parkway**

**Torrance, CA 90501**

**MK DIAMOND PRODUCTS, INC. LIMITED WARRANTY**

MK DIAMOND PRODUCTS, INC. will guarantee every machine they build, to be free from defects in material and workmanship for (1) one year from date of purchase. The obligation of MK DIAMOND PRODUCTS, INC. under this warranty is limited to the repair or replacement of any parts which, under normal use, prove to be defective in material or workmanship. The parts involved or the unit in question should be returned to MK DIAMOND PRODUCTS, INC. or to a point designated by us, transportation prepaid.

This warranty does not obligate us to bear the cost of labor or transportation charges in connection with replacement or repair of defective parts. Likewise, it shall NOT apply to any unit which has been subjected to misuse, neglect or accident. This warranty does NOT apply to any machine which has been repaired or altered outside our factory.

This warranty does NOT obligate MK DIAMOND PRODUCTS, INC., with respect to items not of our manufacture, such as engines, motors, hydraulics, etc., which are subject to their own guarantees and warranties.

We shall in no event be liable for consequential damages or contingent liabilities arising out of failure of any equipment or parts to operate properly.

**© COPYRIGHT 2013, MK DIAMOND PRODUCTS, INC. ALL RIGHTS RESERVED.**

The MK Diamond logo is a registered trademark of MK Diamond Products, Inc. and may not be used, reproduced, or altered without written permission. All other trademarks are the property of their respective owners and used with permission.

MK Diamond may have patents, patent applications, trade marks, copyrights of other intellectual property right covering this product in this document.

This manual MUST accompany the equipment at all times. This manual is considered a permanent part of the equipment and should remain with the unit if resold.

The information and specifications included in this publication were in effect at the time of approval for printing.

**MK-VTS/50 FLOOR SCRAPER**  
**OWNERS MANUAL & OPERATING INSTRUCTIONS**



**MK Diamond Products, Inc.**

MK Diamond Products, Inc.  
1315 Storm Parkway  
Torrance, CA 90501

Toll-Free: (800) 421-5830  
Phone: (310) 539-5221  
Fax: (310) 539-5158  
[www.mkdiamond.com](http://www.mkdiamond.com)