



## *Illustrated Parts List*



This generator is rated in accordance with CSA (Canadian Standards Association) standard C22.2 No. 100-94 (motor and generators).

Questions? Help is just a moment away!  
Preguntas? La ayuda es justa un momento lejos!

Call: Portable Generator Helpline

Llame: Línea Directa del Generador portátil - 1-800-732-2989 M-F 8-5 CST

### Model / Modelo

| Mfg. No. | Description / Descripción    |
|----------|------------------------------|
| 030471-0 | 8,000 Watt Briggs & Stratton |

Manual Part No. 312811

Revision A

Rev. Date: 12/14/2010

Not for  
Reproduction

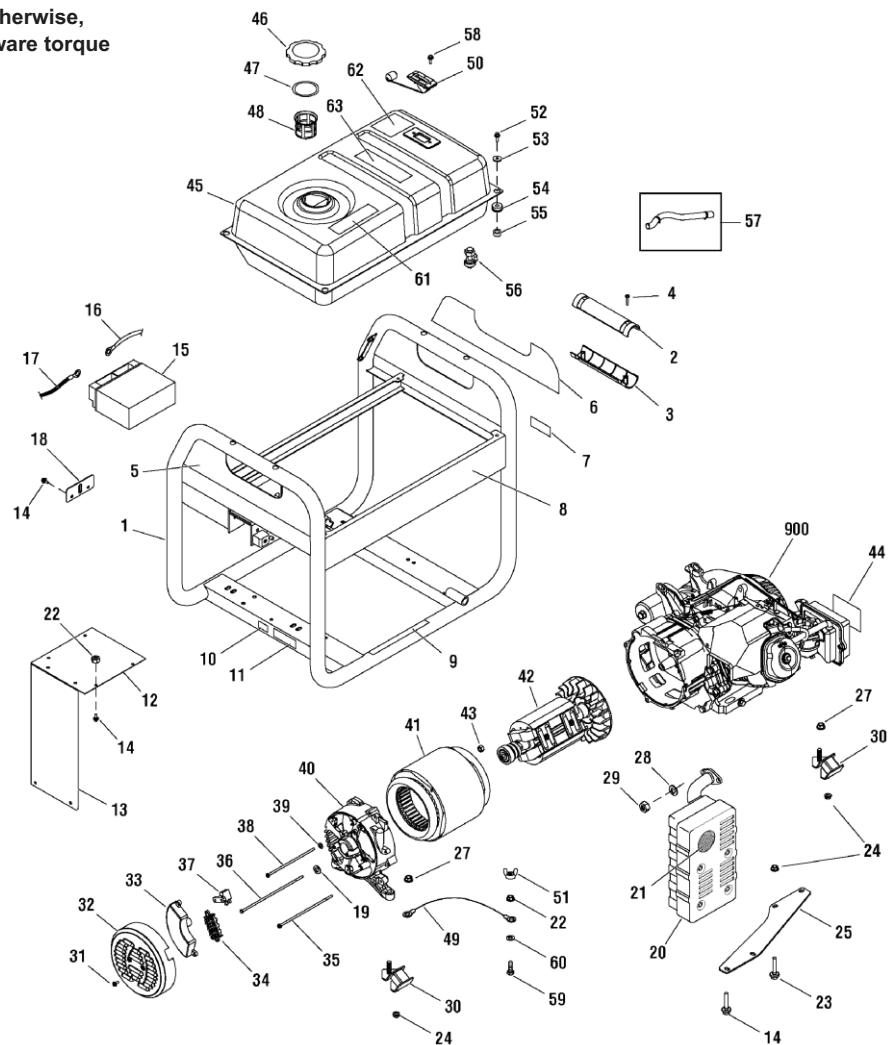
| PRODUCT COMPONENTS               | PAGES             |
|----------------------------------|-------------------|
| Main Unit .....                  | 4                 |
| Control Panel .....              | 7                 |
| Wheel Kit .....                  | 8                 |
| Torque Specification Chart ..... | Inside Back Cover |

Not for  
Reproduction

## Main Unit

311995

**NOTE:** Unless noted otherwise, use the standard hardware torque specification chart.



| REF. | PART NO. | DESCRIPTION           | REF. | PART NO. | DESCRIPTION      |
|------|----------|-----------------------|------|----------|------------------|
| 1    | 312007GS | CRADLE                | 18   | 311983GS | PLATE, Battery   |
| 2    | 312008GS | GRIP, Handle          | 19   | 312045GS | WASHER           |
| 3    | 312009GS | GRIP, Handle          | 20   | 192569GS | MUFFLER          |
| 4    | 75477GS  | SCREW                 | 21   | 83083GS  | SCREEN           |
| 5    | 311480GS | DECAL                 | 22   | 197861GS | NUT              |
| 6    | 311479GS | DECAL                 | 23   | 311987GS | SCREW            |
| 7    | 197798GS | DECAL                 | 24   | 67989GS  | NUT              |
| 8    | 311482GS | DECAL                 | 25   | 311985GS | SUPPORT, Muffler |
| 9    | 200310GS | DECAL                 | 27   | 193747GS | NUT              |
| 10   | B4986GS  | DECAL                 | 28   | 22129GS  | WASHER           |
| 11   | 200311GS | DECAL                 | 29   | 45771GS  | NUT              |
| 12   | 312020GS | HEATSHIELD            | 30   | 312012GS | MOUNT, Vibration |
| 13   | 312019GS | HEATSHIELD            | 31   | 207824GS | SCREW            |
| 14   | 209775GS | BOLT                  | 32   | 209428GS | END COVER        |
| 15   | 193043GS | BATTERY               |      |          |                  |
| 16   | 312014GS | CABLE, Battery, Red   |      |          |                  |
| 17   | 312026GS | CABLE, Battery, Black |      |          |                  |

### Footnotes

\*\* Contact Engine Manufacturer

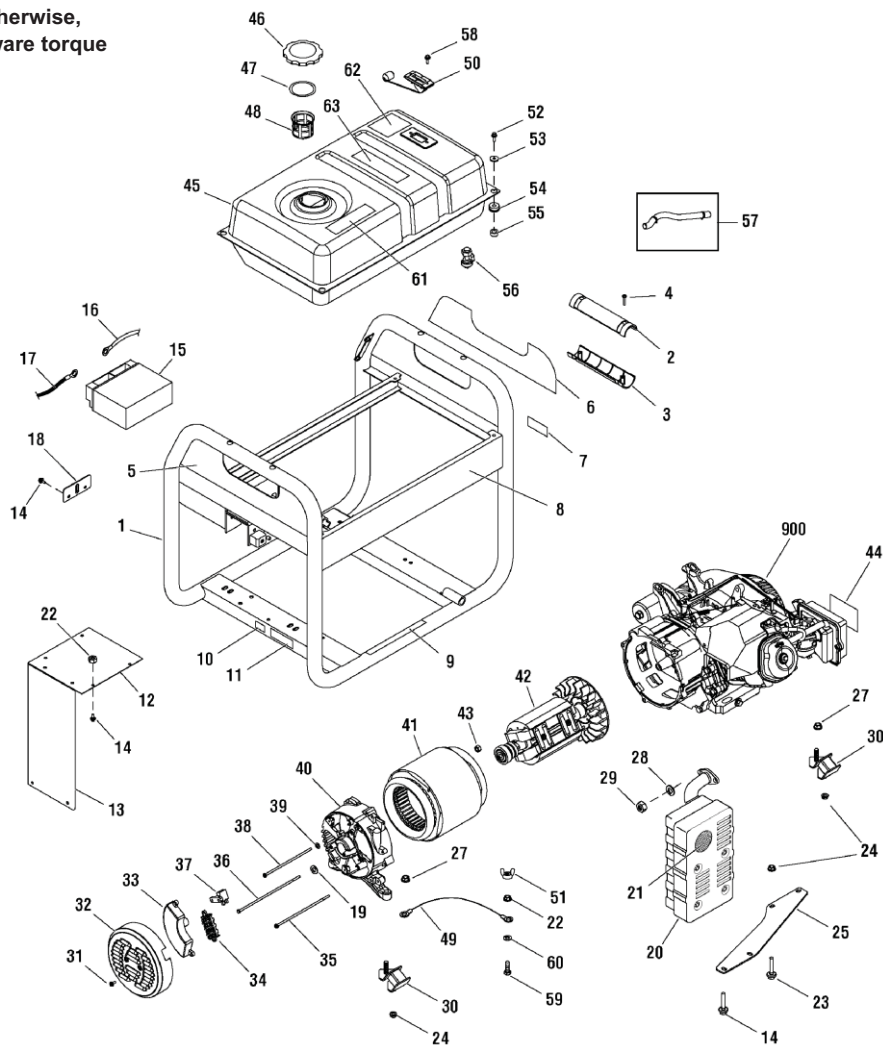
The above parts group applies to the following Mfg. Nos.:

030471-0 - 8,000 Watt Briggs & Stratton

# Main Unit

311995

**NOTE:** Unless noted otherwise, use the standard hardware torque specification chart.



| REF. | PART NO. | DESCRIPTION       | REF. | PART NO. | DESCRIPTION                 |
|------|----------|-------------------|------|----------|-----------------------------|
| 33   | 312038GS | VOLTAGE REGULATOR | 50   | 311992GS | GAUGE, Fuel                 |
| 34   | 312041GS | TERMINAL BLOCK    | 51   | 87680GS  | NUT                         |
| 35   | 312638GS | BOLT              | 52   | 209421GS | BOLT                        |
| 36   | 312639GS | BOLT              | 53   | 312005GS | WASHER                      |
| 37   | 209441GS | BRUSH ASSEMBLY    | 54   | 312006GS | GROMMET                     |
| 38   | 312640GS | BOLT              | 55   | 312010GS | SPACER                      |
| 39   | 49226GS  | WASHER            | 56   | 209417GS | VALVE, Fuel                 |
| 40   | 209423GS | CARRIER, Bearing  | 57   | 791745   | KIT, Fuel Hose (Cut to Fit) |
| 41   | 312032GS | STATOR            | 58   | 197896GS | SCREW                       |
| 42   | 312029GS | ROTOR             | 59   | 47411GS  | SCREW                       |
| 43   | 207878GS | NUT               | 60   | 22097GS  | WASHER                      |
| 44   | 311478GS | DECAL             | 61   | 188333GS | DECAL                       |
| 45   | 311988GS | TANK, Fuel        | 62   | 202997GS | DECAL                       |
| 46   | 311990GS | CAP, Fuel         | 63   | 194984GS | DECAL                       |
| 47   | 209939GS | SEAL              | 900  | ----     | ** ENGINE                   |
| 48   | 311991GS | FILTER, Screen    |      |          |                             |
| 49   | 312040GS | WIRE              |      |          |                             |

### Footnotes

\*\* Contact Engine Manufacturer

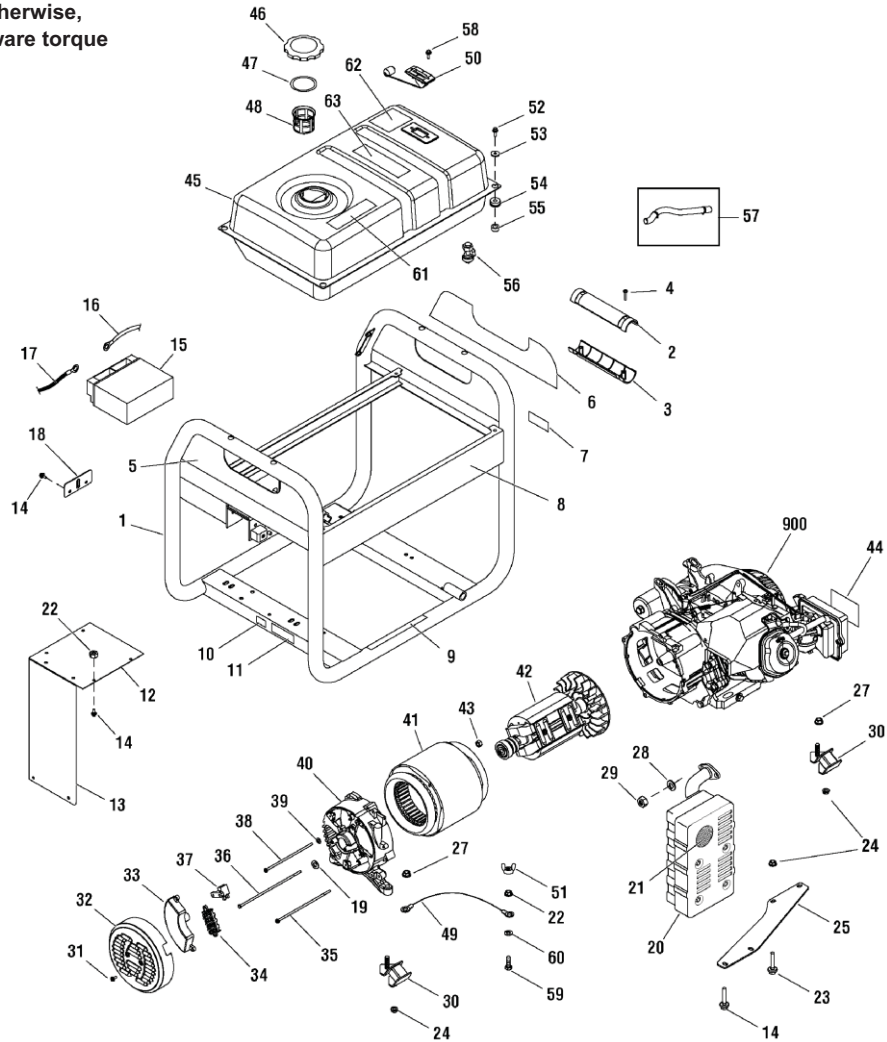
The above parts group applies to the following Mfg. Nos.:

030471-0 - 8,000 Watt Briggs & Stratton

# Main Unit

311995

**NOTE:** Unless noted otherwise, use the standard hardware torque specification chart.



| REF. PART NO. | DESCRIPTION                              | REF. PART NO. | DESCRIPTION |
|---------------|--|---------------|-------------|
| -- 193347GS   | KIT, Hardware, Battery (Not Illustrated) |               |             |
| -- 310784GS   | MANUAL, Operator's (Not Illustrated)     |               |             |
| -- B4177GS    | CHARGER, Battery (Not Illustrated)       |               |             |

## Footnotes

\*\* Contact Engine Manufacturer

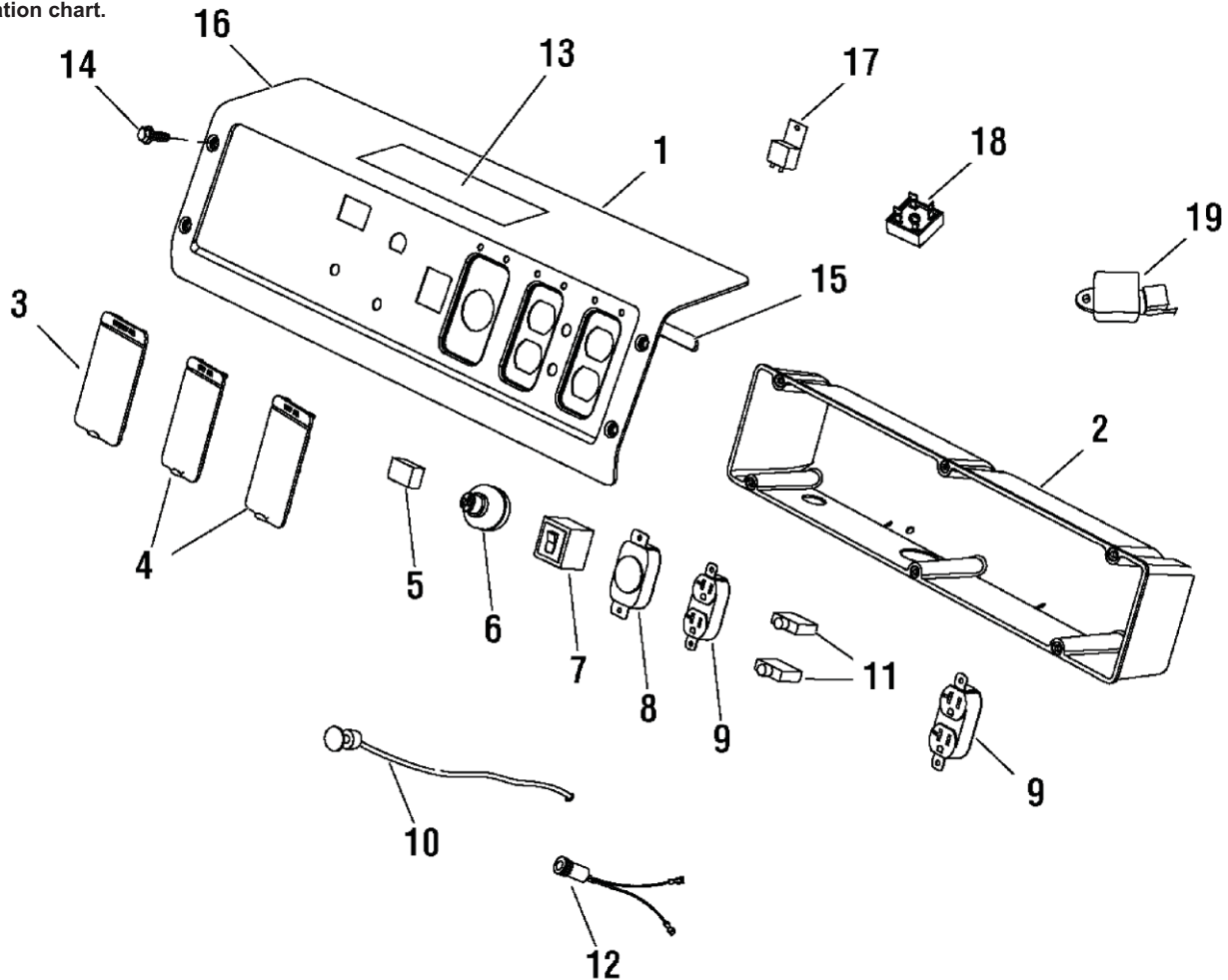
**The above parts group applies to the following Mfg. Nos.:**

030471-0 - 8,000 Watt Briggs & Stratton

## Control Panel

311832

NOTE: Unless noted otherwise,  
use the standard hardware torque  
specification chart.



| REF. PART NO. | DESCRIPTION                    | REF. PART NO. | DESCRIPTION                  |
|---------------|--------------------------------|---------------|------------------------------|
| 1             | 312001GS PANEL, Control        | 18            | 312027GS RECTIFIER, Bridge   |
| 2             | 312002GS BOX, Control Panel    | 19            | 314211GS RECTIFIER           |
| 3             | 312030GS COVER, Outlet         | --            | 691959 KEY (Not Illustrated) |
| 4             | 312031GS COVER, Outlet         |               |                              |
| 5             | 198245GS METER, Hour           |               |                              |
| 6             | 692318 KEY, Switch Ignition    |               |                              |
| 7             | 202033GS BREAKER, Circuit, 30A |               |                              |
| 8             | 43437GS OUTLET, 120/240V TL30A |               |                              |
| 9             | 68759GS OUTLET, 120V 20A       |               |                              |
| 10            | 312034GS CABLE, Choke          |               |                              |
| 11            | 202394GS BREAKER, Circuit, 20A |               |                              |
| 12            | 312004GS JACK, Coaxial         |               |                              |
| 13            | 311565GS DECAL                 |               |                              |
| 14            | 209775GS BOLT                  |               |                              |
| 15            | 312033GS TRIM-EDGE             |               |                              |
| 16            | 311476GS DECAL                 |               |                              |
| 17            | 312003GS RELAY                 |               |                              |

### Footnotes

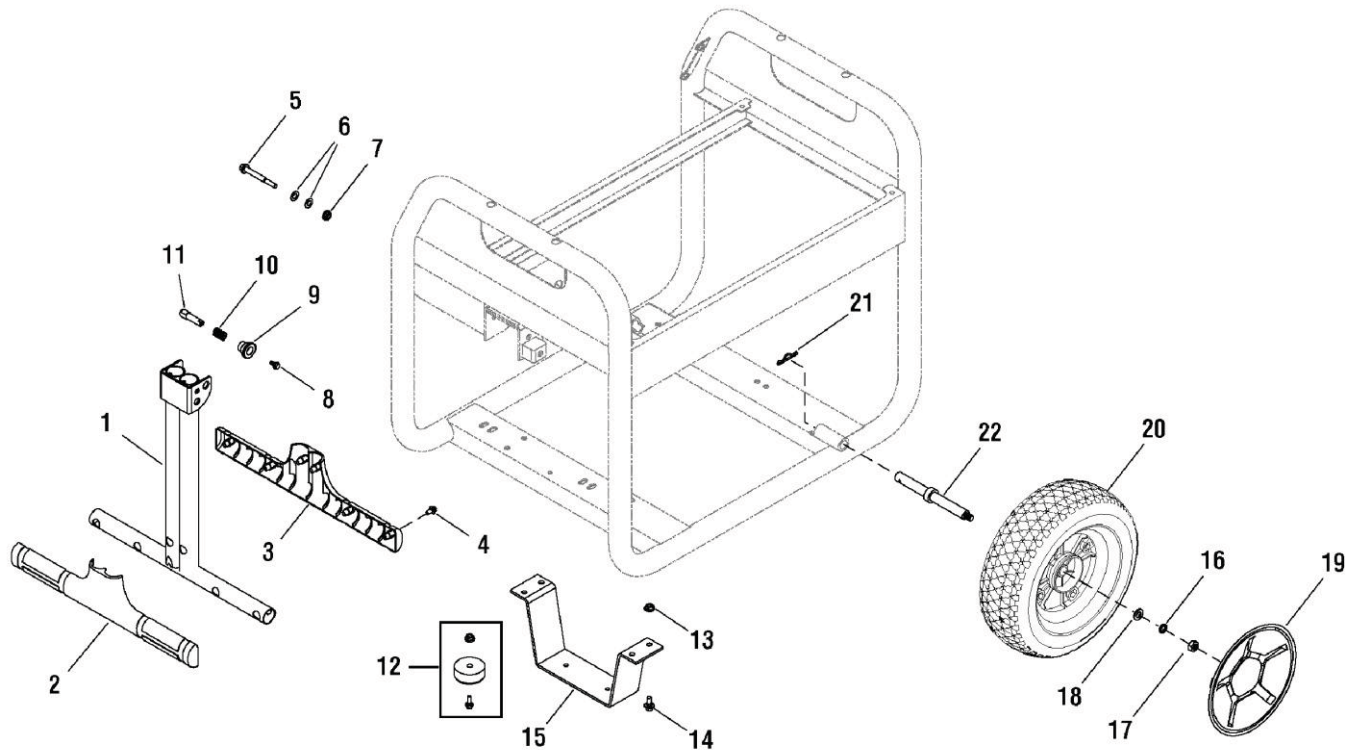
The above parts group applies to the following Mfg. Nos.:

030471-0 - 8,000 Watt Briggs & Stratton

## Wheel Kit

312167

**NOTE:** Unless noted otherwise,  
use the standard hardware torque  
specification chart.



| REF. PART NO. | DESCRIPTION | REF. PART NO.    | DESCRIPTION |           |                          |
|---------------|-------------|------------------|-------------|-----------|--------------------------|
| 1             | 311999GS    | HANDLE           | 18          | 94856GS   | WASHER                   |
| 2             | 311998GS    | GRIP, Handle     | 19          | 312022GS  | HUBCAP                   |
| 3             | 312000GS    | GRIP, Handle     | 20          | 312021GS  | WHEEL                    |
| 4             | 75477GS     | SCREW            | 21          | 5025210YP | PIN, Hair, .0915 x 1-7/8 |
| 5             | 312013GS    | BOLT             | 22          | 312023GS  | AXLE                     |
| 6             | 187104GS    | WASHER           |             |           |                          |
| 7             | 49820GS     | NUT              |             |           |                          |
| 8             | 207825GS    | BOLT             |             |           |                          |
| 9             | 312016GS    | KNOB             |             |           |                          |
| 10            | 312015GS    | SPRING           |             |           |                          |
| 11            | 312017GS    | PIN              |             |           |                          |
| 12            | 192310GS    | MOUNT, Vibration |             |           |                          |
| 13            | 52857GS     | NUT              |             |           |                          |
| 14            | 42568GS     | BOLT             |             |           |                          |
| 15            | 311994GS    | SUPPORT, Leg     |             |           |                          |
| 16            | 46526GS     | WASHER           |             |           |                          |
| 17            | 45772GS     | NUT              |             |           |                          |

### Footnotes

**The above parts group applies to the following Mfg. Nos.:**

030471-0 - 8,000 Watt Briggs & Stratton



Not for  
Reproduction

Not for  
Reproduction

# Hardware Identification & Torque Specifications

| Torque Specification Chart<br>FOR STANDARD METRIC MACHINE HARDWARE (Tolerance ± 20%) |                  |      |                  |      |                    |      |                    |      |
|--|------------------|------|------------------|------|--------------------|------|--------------------|------|
| Property Class   | 5.6<br>Class 5.6 |      | 8.8<br>Class 8.8 |      | 10.9<br>Class 10.9 |      | 12.9<br>Class 12.9 |      |
|  | in/lbs<br>ft/lbs | Nm.  | in/lbs<br>ft/lbs | Nm.  | in/lbs<br>ft/lbs   | Nm.  | in/lbs<br>ft/lbs   | Nm.  |
| M3   | 5.88             | .56  | 13.44            | 1.28 | 19.2               | 1.80 | 22.92              | 2.15 |
| M4   | 13.44            | 1.28 | 30.72            | 2.90 | 43.44              | 4.10 | 52.56              | 4.95 |
| M5   | 26.4             | 2.50 | 60.96            | 5.75 | 5.97               | 8.10 | 7.15               | 9.7  |
| M6   | 44.64            | 4.3  | 7.3              | 9.9  | 10.3               | 14   | 12.1               | 16.5 |
| M7   | 5.2              | 7.1  | 12.1             | 16.5 | 16.9               | 23   | 19.9               | 27   |
| M8   | 7.7              | 10.5 | 17.7             | 24   | 25                 | 34   | 29                 | 40   |
| M10  | 15               | 21   | 35               | 48   | 50                 | 67   | 59                 | 81   |
| M12  | 26               | 36   | 61               | 83   | 86.2               | 117  | 103                | 140  |
| M14  | 42               | 58   | 101              | 132  | 136                | 185  | 162                | 220  |
| M16  | 64               | 88   | 147              | 200  | 210                | 285  | 250                | 340  |
| M18  | 89               | 121  | 202              | 275  | 287                | 390  | 346                | 470  |
| M20  | 126              | 171  | 290              | 390  | 405                | 550  | 486                | 660  |
| M22  | 169              | 230  | 390              | 530  | 559                | 745  | 656                | 890  |
| M24  | 217              | 295  | 497              | 375  | 708                | 960  | 840                | 1140 |
| M27  | 320              | 435  | 733              | 995  | 1032               | 1400 | 1239               | 1680 |
| M30  | 435              | 590  | 995              | 1350 | 1401               | 1900 | 1681               | 2280 |
| M33  | 590              | 800  | 1349             | 1830 | 1902               | 2580 | 2278               | 3090 |
| M36  | 759              | 1030 | 1740             | 2360 | 2441               | 3310 | 2935               | 3980 |
| M39  | 988              | 1340 | 2249             | 3050 | 3163               | 4290 | 3798               | 5150 |

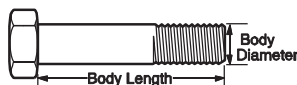
The guides and ruler furnished below are designed to help you select the appropriate hardware.



Nut, M8

Thread Diameter (mm)  
Inside Diameter (in)  
Threads per inch

Nut, 1/2-16



Screw, M8- 1.25 x 25

Thread Diameter (mm)  
Body Diameter  
Distance between threads (mm)  
Threads per inch  
Body Length (mm)  
Body Length (in)

Screw, 1/2- 16 x 2



## Standard Hardware Sizing

When a washer or nut is identified as 1/2" (M8), this is the *Nominal size*, meaning the *inside diameter* is 1/2 inch (8mm metric thread diameter); if a second number is present it represents the *threads per inch* (distance between threads).

When bolt or capscrew is identified as 1/2 - 16 x 2" (M8 - 1.25 x 50), this means the *Nominal size*, or body diameter is 1/2 inch (8mm metric thread diameter), the second number, 16, represents the *threads per inch*, (1.25 thread diameter). The final number is the body length of the bolt or screw, 2 inches (50mm).

| Torque Specification Chart<br>FOR STANDARD MACHINE HARDWARE (Tolerance ± 20%) |                         |       |                  |       |                  |         |
|---|-------------------------|-------|------------------|-------|------------------|---------|
| Hardware Grade  | No Marks<br>SAE Grade 2 |       | SAE Grade 5      |       | SAE Grade 8      |         |
|   | in/lbs<br>ft/lbs        | Nm.   | in/lbs<br>ft/lbs | Nm.   | in/lbs<br>ft/lbs | Nm.     |
| 8-32  | 19                      | 2.1   | 30               | 3.4   | 41               | 4.6     |
| 8-36  | 20                      | 2.3   | 31               | 3.5   | 43               | 4.9     |
| 10-24   | 27                      | 3.1   | 43               | 4.9   | 60               | 6.8     |
| 10-32   | 31                      | 3.5   | 49               | 5.5   | 68               | 7.7     |
| 1/4-20  | 66                      | 7.6   | 8                | 10.9  | 12               | 16.3    |
| 1/4-28  | 76                      | 8.6   | 10               | 13.6  | 14               | 19.0    |
| 5/16-18   | 11                      | 15.0  | 17               | 23.1  | 25               | 34.0    |
| 5/16-24   | 12                      | 16.3  | 19               | 25.8  | 29               | 34.0    |
| 3/8-16  | 20                      | 27.2  | 30               | 40.8  | 45               | 61.2    |
| 3/8-24  | 23                      | 31.3  | 35               | 47.6  | 50               | 68.0    |
| 7/16-14   | 30                      | 40.8  | 50               | 68.0  | 70               | 95.2    |
| 7/16-20   | 35                      | 47.6  | 55               | 74.8  | 80               | 108.8   |
| 1/2-13  | 50                      | 68.0  | 75               | 102.0 | 110              | 149.6   |
| 1/2-20  | 55                      | 74.8  | 90               | 122.4 | 120              | 163.2   |
| 9/16-12   | 65                      | 88.4  | 110              | 149.6 | 150              | 204.0   |
| 9/16-18   | 75                      | 102.0 | 120              | 163.2 | 170              | 231.2   |
| 5/8-11  | 90                      | 122.4 | 150              | 204.0 | 220              | 299.2   |
| 5/8-18  | 100                     | 136   | 180              | 244.8 | 240              | 326.4   |
| 3/4-10  | 160                     | 217.6 | 260              | 353.6 | 386              | 525.0   |
| 3/4-16  | 180                     | 244.8 | 300              | 408.0 | 420              | 571.2   |
| 7/8-9   | 140                     | 190.4 | 400              | 544.0 | 600              | 816.0   |
| 7/8-14  | 155                     | 210.8 | 440              | 598.4 | 660              | 897.6   |
| 1-8   | 220                     | 299.2 | 580              | 788.8 | 900              | 1,244.0 |
| 1-12  | 240                     | 326.4 | 640              | 870.4 | 1,000            | 1,360.0 |

## NOTES

- These torque values are to be used for all hardware excluding: locknuts, self-tapping screws, thread forming screws, sheet metal screws and socket head setscrews.
- Recommended seating torque values for locknuts:
  - for prevailing torque locknuts - use 65% of grade 5 torques.
  - for flange whizlock nuts and screws - use 135% of grade 5 torques.
- Unless otherwise noted on assembly drawings, all torque values must meet this specification.

## Common Hardware Types

Hex Head Capscrew



Washer



Lockwasher

Carriage Bolt



Hex Nut

## Wrench & Fastener Size Guide

|                                  |                                  |                                  |  |                                 |
|----------------------------------|----------------------------------|----------------------------------|--|---------------------------------|
| 1/4" Bolt or Nut<br>Wrench—7/16" | 5/16" Bolt or Nut<br>Wrench—1/2" | 3/8" Bolt or Nut<br>Wrench—9/16" | 7/16" Bolt or Nut<br>Wrench (Bolt)—5/8"<br>Wrench (Nut)—11/16" | 1/2" Bolt or Nut<br>Wrench—3/4" |
| M6 Bolt or Nut<br>Wrench—10mm    | M8 Bolt or Nut<br>Wrench—13mm    | M10 Bolt or Nut<br>Wrench—17mm   | M12 Bolt or Nut<br>Wrench—19mm                                 | M14 Bolt or Nut<br>Wrench—22 mm |



Not for  
Reproduction

**Briggs & Stratton Power Products Group**

Copyright© 2010 Briggs & Stratton Power Products Group. All rights reserved. No part of this page can be reproduced or transmitted in any form by any means without the express written permission of Briggs & Stratton Power Products Group.