

300 Power Drive



⚠ WARNING!

Read this Operator's Manual carefully before using this tool. Failure to understand and follow the contents of this manual may result in electrical shock, fire and/or serious personal injury.

Table of Contents

Recording Form for Machine Serial Number	1
General Safety Information	
Work Area Safety.....	2
Electrical Safety.....	2
Personal Safety.....	2
Tool Use and Care.....	3
Service.....	3
Specific Safety Information	
Foot Switch Safety.....	3
Machine Safety.....	3
Description and Specifications, Standard Equipment	
Description.....	4
Specifications.....	4
Standard Equipment.....	4
Machine Assembly	
Mounting on 1206 Stand.....	5
Mounting 311A Carriage and Tools.....	5
Machine Inspection	6
Machine and Work Area Set-Up	7
Operating Instructions Using Hand Tools	
Installing Pipe in Power Drive.....	8
Cutting Pipe with Hand Cutter.....	8
Reaming Pipe with Hand Reamer.....	9
Threading Pipe with Hand Threader.....	9
Removing Pipe from Power Drive.....	10
Operating Instructions Using Carriage-Mounted Power Drive Tools	
Installing Pipe In Power Drive.....	11
Cutting Pipe with No. 360 Cutter.....	11
Reaming Pipe with No. 341 Reamer.....	11
Threading Pipe with Quick-Opening or Self-Opening Die Head.....	12
Removing Pipe From The Power Drive.....	12
Installing Dies in Quick-Opening Die Head (R.H. & L.H.).....	13
Installing Dies in Self-Opening Die Head (R.H. Only).....	14
Checking Thread Length.....	14
Accessories	15
Maintenance Instructions	
Jaw Inserts.....	15
Jaw Insert Replacement.....	16
Lubrication.....	16
Motor Brush Replacement.....	16
Motor Replacement.....	16
Machine Storage	16
Service and Repair	16
Wiring Diagram	17
Wiring Schematics	17
Lifetime Warranty	Back Cover

Power Drives

300 Power Drive



Model **300 Complete** pictured above including Stand, Threading Carriage, Tool Tray and Oiler.

RIDGID[®]

300 Power Drive

Record Serial Number below and retain product serial number which is located on nameplate.

Serial
No.

--	--

General Safety Information

⚠ WARNING

Read all safety warnings and all instructions. Failure to follow the warnings and instructions may result in electric shock, fire and/or serious injury.

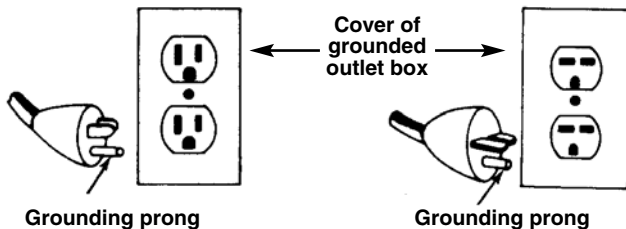
SAVE THESE INSTRUCTIONS!

Work Area Safety

- **Keep your work area clean and well lit.** Cluttered benches and dark areas invite accidents.
- **Do not operate power tools in explosive atmospheres, such as in the presence of flammable liquids, gases, or dust.** Tools create sparks which may ignite the dust or fumes.
- **Keep bystanders, children, and visitors away while operating a tool.** Distractions can cause you to lose control.
- **Keep floors dry and free of slippery materials such as oil.** Slippery floors invite accidents.
- **Guard or barricade the area when work piece extends beyond machine.** A guard or barricade that provides a minimum of three (3) feet clearance around the work piece will reduce the risk of entanglement.

Electrical Safety

- **Grounded tools must be plugged into an outlet, properly installed and grounded in accordance with all codes and ordinances. Never remove the grounding prong or modify the plug in any way. Do not use any adapter plugs. Check with a qualified electrician if you are in doubt as to whether the outlet is properly grounded.** If the tool should electrically malfunction or break down, grounding provides a low resistance path to carry electricity away from the user.



- **Avoid body contact with grounded surfaces.** There is an increased risk of electrical shock if your body is grounded.
- **Don't expose electrical tools to rain or wet conditions.** Water entering a tool will increase the risk of electrical shock.

- **Do not abuse cord. Never use the cord to carry the tools or pull the plug from an outlet. Keep cord away from heat, oil, sharp edges or moving parts. Replace damaged cords immediately.** Damaged cords increase the risk of electrical shock.
- **When operating a power tool outside, use an outdoor extension cord marked "W-A" or "W".** These cords are rated for outdoor use and reduce the risk of electrical shock.
- **Use only three-wire extension cords which have three-prong grounding plugs and three-pole receptacles which accept the tool's plug.** Use of other extension cords will not ground the tool and increase the risk of electrical shock.
- **Use proper extension cords.** (See chart.) Insufficient conductor size will cause excessive voltage drop and loss of power.

Minimum Wire Gauge for Extension Cord			
Nameplate Amps	Total Length (in feet)		
	0 – 25	26 – 50	51 – 100
0 – 6	18 AWG	16 AWG	16 AWG
6 – 10	18 AWG	16 AWG	14 AWG
10 – 12	16 AWG	16 AWG	14 AWG
12 – 16	14 AWG	12 AWG	NOT RECOMMENDED

- **Keep all electric connections dry and off the ground. Do not touch plugs or tool with wet hands.** Reduces the risk of electrical shock.

Personal Safety

- **Stay alert, watch what you are doing and use common sense when operating a power tool. Do not use tool while tired or under the influence of drugs, alcohol, or medications.** A moment of inattention while operating power tools may result in serious personal injury.
- **Dress properly. Do not wear loose clothing or jewelry. Contain long hair. Keep your hair, clothing, and gloves away from moving parts.** Loose clothes, jewelry, or long hair can be caught in moving parts.
- **Avoid accidental starting. Be sure switch is OFF before plugging in.** Carrying tools with your finger on the switch or plugging in tools that have the switch ON invites accidents.
- **Remove adjusting keys before turning the tool ON.** A wrench or a key that is left attached to a rotating part of the tool may result in personal injury.
- **Do not overreach. Keep proper footing and bal-**

ance at all times. Proper footing and balance enables better control of the tool in unexpected situations.

- **Use safety equipment. Always wear eye protection.** Dust mask, non-skid safety shoes, hard hat, or hearing protection must be used for appropriate conditions.

Tool Use and Care

- **Do not use tool if switch does not turn it ON or OFF.** Any tool that cannot be controlled with the switch is dangerous and must be repaired.
- **Disconnect the plug from the power source before making any adjustments, changing accessories, or storing the tool.** Such preventive safety measures reduce the risk of starting the tool accidentally.
- **Store idle tools out of the reach of children and other untrained persons.** Tools are dangerous in the hands of untrained users.
- **Check for misalignment or binding of moving parts, breakage of parts, and any other condition that may affect the tool's operation. If damaged, have the tool serviced before using.** Many accidents are caused by poorly maintained tools.
- **Use only accessories that are recommended for your tool.** Accessories that may be suitable for one tool may become hazardous when used on another tool.
- **Keep handles dry and clean; free from oil and grease.** Allows for better control of the tool.

Service

- **Tool service must be performed only by qualified repair personnel.** Service or maintenance performed by unqualified repair personnel could result in injury.
- **When servicing a tool, use only identical replacement parts. Follow instructions in the Maintenance Section of this manual.** Use of unauthorized parts or failure to follow maintenance instructions may create a risk of electrical shock or injury.

Specific Safety Information

WARNING

Read this operator's manual carefully before using the 300 Power Driver. Failure to understand and follow the contents of this manual may result in electrical shock, fire and/or serious personal injury.

Call the Ridge Tool Company, Technical Service Department at (800) 519-3456 if you have any questions.

WARNING Foot Switch Safety

Using a power drive or threading machine without a foot switch increases the risk of serious injury. A foot switch provides better control by letting you shut off the motor by removing your foot. If clothing should become caught in the machine, it will continue to wind up, pulling you into the machine. Because the machine has high torque, the clothing itself can bind around your arm or other body parts with enough force to crush or break bones.

Machine Safety

- **Power Drive is made to thread and cut pipe or bolt and to power RIDGID roll grooving equipment. Follow instructions on proper use of this machine. Do not use for other purposes such as drilling holes or turning winches.** Other uses or modifying this power drive for other applications may increase the risk of serious injury.
- **Secure machine to bench or stand. Support long heavy pipe with pipe supports.** This practice will prevent tipping.
- **Do not wear gloves or loose clothing when operating machine. Keep sleeves and jackets buttoned. Do not reach across the machine or pipe.** Clothing can be caught by the pipe or machine resulting in entanglement and serious injury.
- **Operate machine from side with REV/OFF/FOR switch.** Eliminates need to reach over the machine.
- **Do not use this machine if the foot switch is broken or missing.** Foot switch is a safety device to prevent serious injury.
- **Keep hands away from rotating pipe and fittings. Stop the machine before wiping pipe threads or screwing on fittings. Allow the machine to come to a complete stop before touching the pipe or machine chucks.** This practice will prevent entanglement and serious injury.
- **Do not use this machine to make or break fittings.** This practice is not an intended use of the machine and can result in serious injury.
- **Tighten chuck handwheel and engage rear centering device on the pipe before turning on the machine.** Prevents oscillation of the pipe.
- **Keep covers in place. Do not operate the machine with covers removed.** Exposure to moving parts may result in entanglement and serious injury.
- **Lock foot switch when machine is not in use (Figure 1).** Avoids accidental starting.

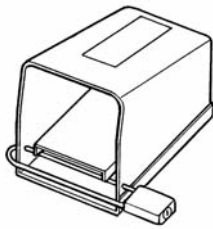


Figure 1 – Locked Foot Switch

Description, Specifications and Standard Equipment

Description

The RIDGID® Model 300 Power Drive is an electric motor-driven machine which centers and chucks pipe, conduit and rod (bolt stock) and rotates it while threading, cutting and reaming operations are performed. Forward (clockwise) or Reverse (counterclockwise) rotation can be selected with the FOR/OFF/REV switch and a foot switch provides ON/OFF control of the motor.

The threading, cutting and reaming operations can be performed by conventional hand tools or tools designed for mounting on the Power Drive. A manual oiling system is available to flood the workpiece with thread cutting oil during the threading operation. Geared Threaders can also be used with the Power Drive to thread larger diameter pipe.

The RIDGID Model 300 Power Drive can also be used as a power source for roll grooving equipment. Designed to attach to the support arms of the Power Drive, the roll grooving equipment forms standard roll grooves on a variety of pipe sizes and materials.

NOTE! Contact a RIDGID distributor or consult the RIDGID catalog for specifications on roll grooving equipment.

Specifications

- Threading CapacityPipe 1/8" through 2"
Bolt 1/4" through 2"
- Geared Threaders:
Pipe 2 1/2" through 6"
- ChuckSpeed Grip Chuck with
Replaceable Jaw Inserts
- Rear Centering Device....Cam Action Rotates with
Chuck
- Operating Speed38 RPM or 57 RPM
- Motor:
TypeUniversal
Horsepower.....1/2 HP

- Volts120V Single Phase AC
25-60 Hz
(230V Available On Request)
- Amps15 Amps (36 RPM)
18 Amps (57 RPM)
- ControlsFOR/OFF/REV Switch and
ON/OFF Foot Switch
- Weight.....77 lbs.

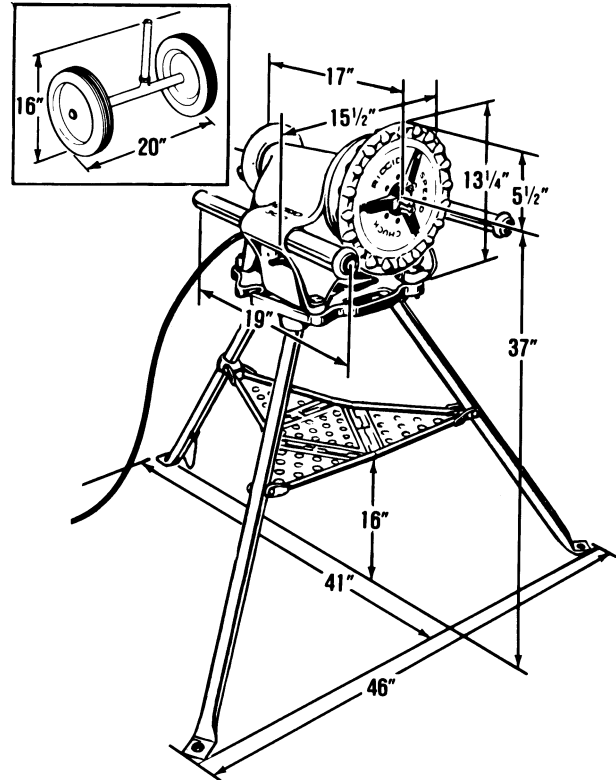


Figure 2 – No. 300 Power Drive and No. 1206 Stand

Standard Equipment

Power Drive Only:

- 300 Power Drive

Power Drive Complete:

- 300 Power Drive
- 1206 Stand
- 311 Carriage with Lever
- 341 Reamer
- 360 Cutter
- 811A Universal Die Head
- Set 1/2" – 3/4" Universal Alloy Dies
- Set 1" – 2" Universal Alloy Dies
- 4 oz. Can White Sealant w/PTFE

- 418 Oiler
- 1 Gallon Nu-Clear Thread Cutting Oil
- 32 Transporter

Catalog No.	Model No.	Description	Spindle Speed RPM	Weight	
				Lb.	Kg.
41855	300 Only	115V,25-60 Hz	38	94	43.0
75075	300 Only	115V,25-60 Hz	57	94	43.0
41860	300 Only	230V,25-60 Hz	38	94	43.0
75435	300 Only	230V,25-60 Hz	38	94	43.0
15682	300 Complete	115V,25-60 Hz 1/2" – 2" NPT	38	212	96.2
15722	300 Complete	115V,25-60 Hz 1/2" – 2" NPT	57	212	96.2

Machine Assembly

⚠ WARNING



To prevent serious injury, proper assembly of the Power Drive is required. Failure to mount the Power Drive to a stable stand or bench may result in tipping and serious injury. The following procedures should be followed:

Mounting on No. 1206 Stand

1. Set up the 1206 Stand by opening legs and pushing down on the tray. Legs should be stiff and the stand should not wobble.

NOTE! The trisland leg stiffness can be increased or decreased by the following procedure:

- Place stand upside down on a flat surface.
- Unlock tray so legs are loose.
- Locate the set screw on the tray leg support on the rear leg (*Figure 3*).
- Loosen the set screw to make the adjustment. To increase stiffness, move the tray leg support up towards the base. To decrease stiffness, move the tray leg down towards the feet.
- Tighten the set screw (increasing leg stiffness increases tray tension).

2. Mount power drive on the stand using bolts and wing nuts (*Figure 3*).

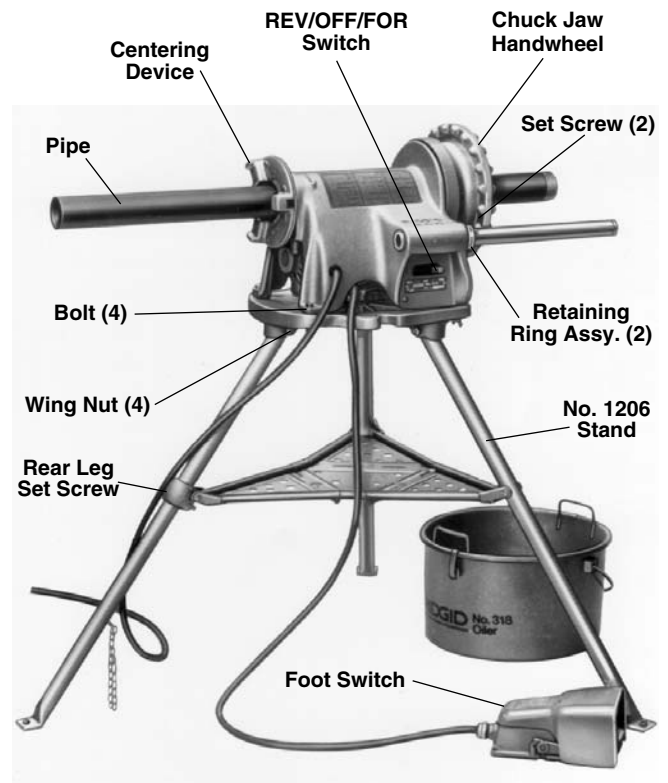


Figure 3 – 300 Power Drive Mounted on No. 1206 Stand with 418 Oiler

Mounting 311A Carriage and Tools

1. Inspect the support bars to insure they are forward and secured by two (2) retaining ring assemblies. Retaining ring set screws must be tight (*Figure 4*).

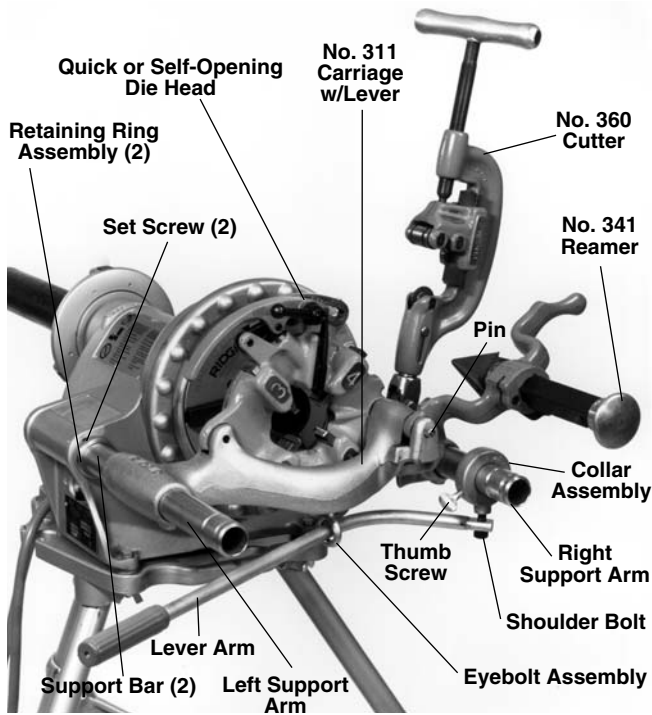


Figure 4 – No. 300 Power Drive with 311A Carriage, 360 Cutter, 341 Reamer and Die Head

2. Secure eyebolt to the 311A Carriage. Slide lever arm through the eyebolt assembly and secure to collar assembly with shoulder bolt (Figure 4).
3. Tighten collar assembly thumb screw into groove on support bar.
4. Install the 360 Cutter and 341 Reamer by inserting arm in the slot provided in the carriage and secure with the drive pin (Figure 4).
5. Install 811A Die Head by inserting die head post into the mating hole in the carriage.

NOTE! When fully inserted, spring-loaded ball will hold die head in place.

Machine Inspection

⚠ WARNING



To prevent serious injury, inspect your Power Drive. The following inspection procedures should be performed on a daily basis:

1. Make sure Power Drive is unplugged and the directional switch is set to the OFF position (Figure 3).
2. Clean the speed chuck jaws with a wire brush.
3. Inspect the jaw inserts for excessive wear. Refer to the Maintenance Instructions if they need to be replaced.

NOTE! For plastic and coated work pieces, special jaw inserts (Part No. 97365) should be used to prevent damaging the workpiece.

4. Make sure the foot switch is present and attached to the Power Drive (Figure 3).

⚠ WARNING Do not operate the Power Drive without a foot switch.

5. Inspect the power cord and plug for damage. If the plug has been modified, is missing the grounding pin or if the cord is damaged, do not use the Power Drive until the cord has been replaced.
6. Inspect the Power Drive for any broken, missing, misaligned or binding parts as well as any other conditions which may affect the safe and normal operation of the machine. If any of these conditions are present, do not use the Power Drive until any problem has been repaired.
7. Lubricate the Power Drive spindle bearings if necessary according to the Maintenance Instructions.
8. Use tools and accessories that are specifically designed for your Power Drive and meet the needs of your application. The correct tools and accessories allow you to do the job successfully and safely. Accessories suitable for use with other equipment may be hazardous when used with this Power Drive.
9. Clean any oil, grease or dirt from all handles and controls. This reduces the risk of injury due to a tool or control slipping from your grip.

Inspect the cutting edges of your tools and dies. If necessary, have them replaced prior to using the Power Drive. Dull or damaged cutting tools and dies can lead to binding, tool breakage and poor quality threads.

10. Clean metal shavings and other debris from the chip tray of the 418 Oiler. Check the level and quality of the thread cutting oil. Replace or add oil if necessary.

NOTE! Thread cutting oil lubricates and cools the threads during the threading operation. A dirty or poor grade cutting oil can result in poor thread quality.

Machine and Work Area Set-Up

⚠ WARNING

To prevent serious injury, proper set-up of the machine and work area is required. The following procedures should be followed to set-up the machine:

1. Locate a work area that has the following:
 - Adequate lighting.
 - No flammable liquids, vapors or dust that may ignite.
 - Grounded electrical outlet.
 - Clear path to the electrical outlet that does not contain any sources of heat or oil, sharp edges or moving parts that may damage electrical cord.
 - Dry place for machine and operator. Do not use the machine while standing in water.
 - Level ground.
2. Clean up the work area prior to setting up any equipment. Always wipe up any oil that may have splashed or dripped from the machine or oiler to prevent slips and falls.
3. Set up the Power Drive on a flat, level surface.
 - For a Power Drive mounted on a 1206 Stand, open legs of stand and push down on the tray. Legs should be stiff and stand should not wobble.

NOTE! To increase or decrease leg stiffness, refer to instructions on “Mounting On 1206 Stand”.

4. If the workpiece extends more than four (4) feet beyond the Power Drive, use one or more pipe stands to prevent tipping and the oscillation of the pipe.
5. If the workpiece extends beyond the Power Drive, set-up guards or barricades to create a minimum of three (3) feet of clearance around the Power Drive and workpiece. This “safety zone” prevents others from accidentally contacting the machine or workpiece and either causing the equipment to tip or becoming entangled in the rotating parts.
6. If necessary, fill the 418 Oiler with RIDGID Thread Cutting Oil. Position the oiler under the front of the Power Drive (*Figure 3*).
7. Make sure FOR/OFF/REV switch is in the OFF position.
8. Position the foot switch so that the operator can safely control the machine, tools and workpiece. As shown in *Figure 8*, it should allow the operator to do the following:

- Stand facing the directional switch.
- Use the foot switch with his left foot.
- Have convenient access to the directional switch, tools and chucks without reaching across the machine.

Machine is designed for one person operation.

9. Plug the Power Drive into the electrical outlet making sure to position the power cord along the clear path selected earlier. If the power cord does not reach the outlet, use an extension cord in good condition.

⚠ WARNING

To avoid electrical shock and electrical fires, never use an extension cord that is damaged or does not meet the following requirements:

- The cord has a three-prong plug similar to shown in Electrical Safety section.
- The cord is rated as “W” or “W-A” if being used outdoors.
- The cord has sufficient wire thickness (14 AWG below 25’/12 AWG 25’ - 50’). If the wire thickness is too small, the cord may overheat, melting the cord’s insulation or causing nearby objects to ignite.

⚠ WARNING To reduce risk of electrical shock, keep all electrical connections dry and off the ground. Do not touch plug with wet hands.

10. Check the Power Drive to insure it is operating properly.
 - Flip the directional switch to FOR (Forward). Press and release the foot switch. Check that the Power Drive rotates in a counterclockwise direction as you are facing the front chuck. Have the Power Drive serviced if it rotates in the wrong direction or if the foot switch does not control its stopping or starting.
 - Depress and hold the foot switch. Inspect the moving parts for misalignment, binding, odd noises or any other unusual conditions that may affect the safe and normal operation of the machine. If such conditions are present, have the power drive serviced.
 - Flip the directional switch to REV (Reverse). Press and release the foot switch. Check that the Power Drive rotates in a clockwise direction as you are facing the chuck.
 - Release the foot switch and flip the directional switch to OFF.

Operating Instructions For Using Hand Tools

⚠ WARNING



Do not wear gloves or loose clothing when operating Power Drive. Keep sleeves and jackets buttoned. Do not reach across the machine or pipe.

Do not use this Power Drive if the foot switch is broken or missing. Always wear eye protection to protect eyes from dirt and other foreign objects.

Keep hands away from rotating pipe and fittings. Stop the machine before wiping pipe threads or screwing on fittings. Allow the machine to come to a complete stop before touching the pipe or machine chucks.

Do not use this machine to “make-on” or “break off” fittings. This practice is not an intended use of this Power Drive.

Installing Pipe In Power Drive:

1. Mark the pipe at the desired length if it is being cut to length.
2. Insert the pipe into the Power Drive so that the end to be worked or the cutting mark is located about 12 inches to the front of the speed chuck jaws.
3. Insert workpieces less than 2 feet long from the front of the machine. Insert longer pipes through either end so that the longer section extends out beyond the rear of the Power Drive.

⚠ WARNING To avoid equipment tip-overs, position the pipe supports under the workpiece.

4. Tighten the rear centering device around the pipe by using a counterclockwise rotation of the handwheel at the rear of the Power Drive. This prevents movement of the pipe that can result in poor thread quality.
5. Secure the pipe by using repeated and forceful counterclockwise spins of the speed chuck handwheel at the front of the Power Drive. This action “hammers” the jaws tightly around the pipe.
6. Extend both support bars fully beyond the front of the Power Drive.

Cutting Pipe with Hand Cutter

1. Position the pipe cutter on the workpiece with the cutter wheels facing up (see “Accessories” section for pipe cutters recommended for use with this Power Drive).
2. Align the cutter wheels with the mark on the pipe and rest the pipe cutter’s body on the left support bar (*Figure 5*). Hand-tighten the pipe cutter to the workpiece using the feedscrew handle while keeping the cutter wheels aligned with the mark.
3. Assume the correct operating posture (*Figure 8*). This will allow you to maintain proper balance and to safely keep control of the machine and tools.
 - Be sure you can quickly remove your foot from the foot switch.
 - Stand facing the directional switch.
 - Be sure you have convenient access to directional switch, tools and chucks.
 - Do not reach across the machine or workpiece.
4. Flip the directional switch to FOR (Forward).
5. Grasp the pipe cutter’s feedscrew handle with both hands (*Figure 5*) and depress and hold down the foot switch with the left foot.

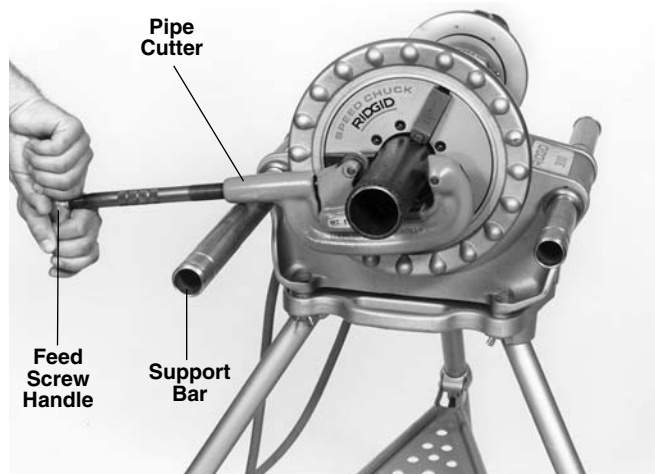


Figure 5 – Cutting Pipe with Hand Cutter

6. Tighten the feedscrew handle slowly and continuously until the pipe is cut. Do not force the cutter into the workpiece.

⚠ WARNING To avoid impact injuries, keep a firm grip on the pipe cutter and be sure it is resting on the support bar. If not held firmly or supported, the tool may rotate or fall to the ground.

7. Release the foot switch and remove your foot from the housing.

Reaming Pipe with Hand Reamer

⚠ WARNING To prevent serious injury, do not use self-feeding spiral reamers with the 300 Power Drive.

1. Flip the directional switch to FOR (Forward).
2. Place the reamer in the end of the pipe (see the “Accessories” section for reamers recommended for use with this Power Drive).
3. Assume the correct operating posture.
4. Rest handle on the left support bar (*Figure 6*) and hold the reamer handgrip with the right hand. To avoid pinch point injuries, keep your fingers from coming between the reamer and the support bar.
5. Firmly grasp the end of the reamer handle with the left hand, then depress and hold the foot switch down.
6. Push the reamer firmly into the pipe with your right hand until ream is complete. Keep your hand and arm away from any rotating parts and use a firm grip on the handgrip.
7. Release the foot switch and remove your foot from the housing while holding the reamer with both hands.

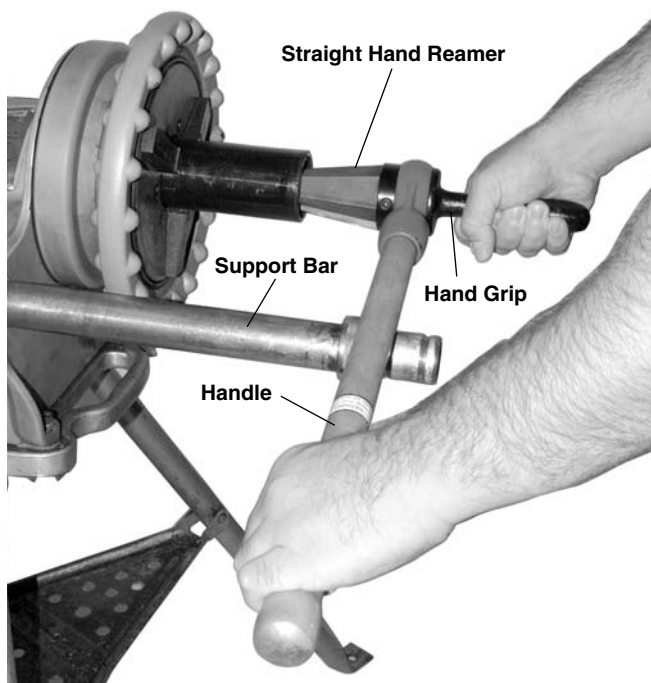


Figure 6 – Reaming Pipe with Hand Reamer

8. Remove the reamer from the workpiece once the Power Drive has stopped rotating.

Threading Pipe with Hand Threader

1. Place the die head of the hand threader on the end of the pipe (see “Accessories” section for hand threaders recommended for use with this Power Drive).
2. Position the ratchet knob on the hand threader so that the arrow on the knob points up.
3. Rest the hand threader ratchet handle on the left support bar (as viewed when facing the front of the Power Drive – *Figure 7*).

⚠ WARNING To avoid pinch point injuries, keep your fingers from coming between the hand threader and the support bar.

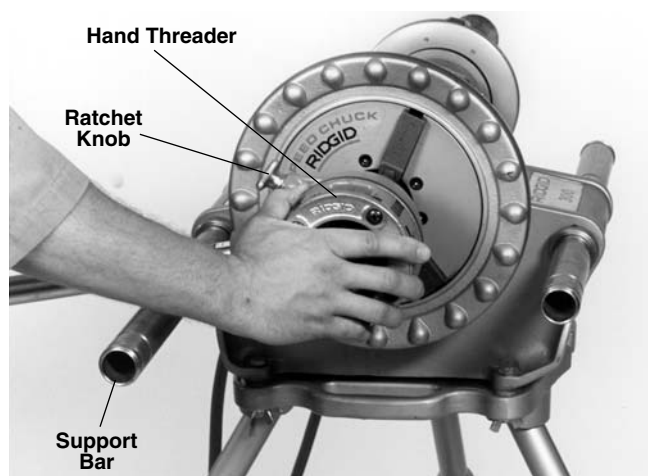


Figure 7 – Pushing Hand Threader onto Pipe to Engage Dies

4. Apply RIDGID Thread Cutting Oil to the end of the pipe.
5. Assume the correct operating posture. Check to ensure directional switch is in the FOR (Forward) position.
6. Hold the die head against the workpiece with the right hand.

⚠ WARNING To avoid injury from rotating parts or sharp surfaces, keep hands and fingers away from anything other than the outer body of the die head.

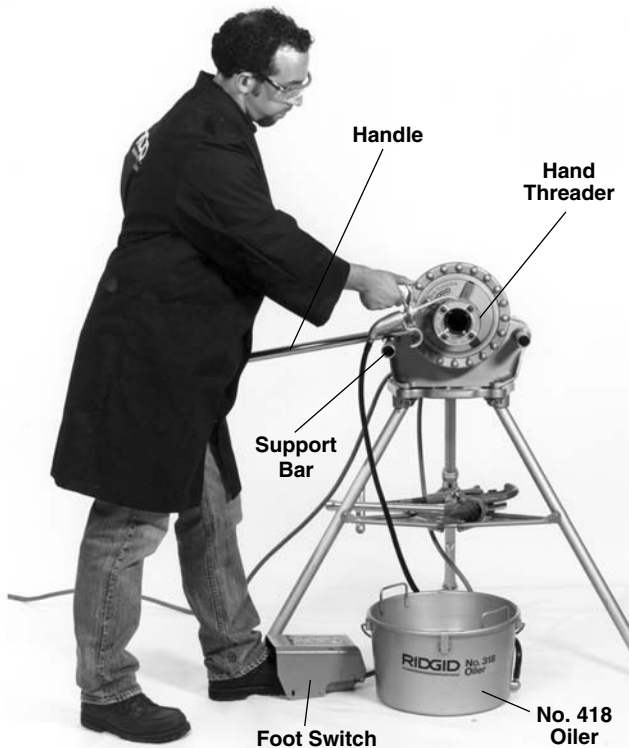


Figure 8 – Threading with Hand Threader

7. Depress and hold down the foot switch.
 8. Push the die head against the pipe using the palm of the right hand until the dies engage the workpiece. Once engaged, the threads will be cut as the dies pull themselves onto the end of the pipe (*Figure 7*).
 9. Remove the right hand from the area of the die head and liberally oil the dies while the pipe is threaded (*Figure 8*).
- ⚠ WARNING** To avoid serious injury from rotating parts, allow adequate clearance between your hand and the rotating parts while oiling.
10. Release the foot switch and remove your foot from the housing when the pipe reaches the end of the dies.
 11. Lift the threader handle slightly with the right hand while sliding the left support bar all the way toward the rear of the drive.

12. Reverse the ratchet knob. The arrow on the knob should point down.
 13. Lower the threader handle below the height of the left support bar.
 14. Slide the left support bar back to its fully extended position in front of the Power Drive.
 15. Lift and hold the threader handle against the left support bar.
 16. Flip the directional switch to REV (Reverse). Depress and hold the foot switch down until the threader has unscrewed itself from the workpiece.
- ⚠ WARNING** To avoid injury due to falling parts, maintain a firm grip on the threader as the threader will drop to the floor if not supported when unthreaded completely.
17. Release the foot switch and remove your foot from the housing.
 18. Set the threader down and, if necessary, wipe oil and debris off the threads with a rag, taking care not to cut your hand or fingers on any sharp debris or edges.
 19. Check the thread for length and depth (*Figure 14*).

Removing Pipe from the Power Drive

1. Flip the directional switch to OFF.
 2. Use repeated and forceful clockwise spins of the speed chuck handwheel at the front of the Power Drive to release the workpiece from the speed chuck jaws.
 3. If necessary, loosen the rear centering device using a clockwise rotation of the handwheel at the rear of the Power Drive.
 4. Slide the workpiece out of the Power Drive, keeping a firm grip on the workpiece as it clears the Power Drive.
- ⚠ WARNING** To avoid injury from falling parts or equipment tip-overs when handling long workpieces, make sure that the end farthest from the Power Drive is supported prior to removal.
5. Clean up any oil spills or splatter on the ground surrounding the Power Drive.

Operating Instructions for Carriage-Mounted Power Drive Tools

⚠ WARNING



Do not wear gloves or loose clothing when operating Power Drive. Keep sleeves and jackets buttoned. Do not reach across the machine or pipe.

Do not use this Power Drive if the foot switch is broken or missing. Always wear eye protection to protect eyes from dirt and other foreign objects.

Keep hands away from rotating pipe and fittings. Stop the machine before wiping pipe threads or screwing on fittings. Allow the machine to come to a complete stop before touching the pipe or machine chucks.

Do not use this machine to “make-on” or “break off” fittings. This practice is not an intended use of this Power Drive.

Installing Pipe in Power Drive

1. Check to insure the cutter, reamer and die head is swung to the rear of the carriage.
2. Mark the pipe at the desired length if it is being cut to length.
3. Insert the pipe into the Power Drive so that the end to be worked or the cutting mark is located about 12 inches to the front of the speed chuck jaws.
4. Insert workpieces less than 2 feet long from the front of the machine. Insert longer pipes through either end so that the longer section extends out beyond the rear of the Power Drive.

⚠ WARNING To avoid equipment tip-overs, position the pipe supports under the workpiece.

5. Tighten the rear centering device around the pipe by using a counterclockwise rotation of the handwheel at the rear of the Power Drive. This prevents movement of the pipe that can result in poor thread quality.
6. Secure the pipe by using repeated and forceful counterclockwise spins of the speed chuck handwheel at the front of the Power Drive. This action “hammers” the jaws tightly around the pipe.

Cutting Pipe with No. 360 Cutter

1. Check to insure the reamer and die head are in the UP position (*Figure 9*).

2. Move pipe cutter down onto pipe and move carriage with carriage lever to line up cutter wheel with mark on pipe.
3. Tighten cutter feedscrew handle while keeping the cutter wheel aligned with the mark.
4. Assume the correct operating posture (*Figure 11*).

⚠ WARNING This will allow you to maintain proper balance and to safely keep control of the machine and tools.

- Be sure you can quickly remove your foot from the foot switch.
 - Stand facing the directional switch.
 - Be sure you have convenient access to directional switch, tools and chucks.
 - Do not reach across the machine or workpiece.
5. Flip the directional switch to FOR (Forward).
 6. Grasp the pipe cutter’s feed handle with both hands (*Figure 9*).

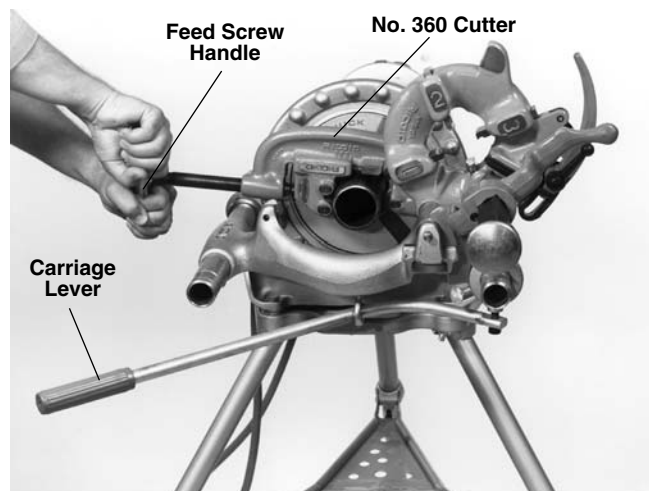


Figure 9 – Cutting Pipe with No. 360 Cutter

7. Depress and hold down the foot switch with the left foot.
8. Tighten the feedscrew handle slowly and continuously until the pipe is cut. Do not force the cutter into the workpiece.
9. Release the foot switch and remove your foot from the housing.
10. Swing pipe cutter back to the UP position.

Reaming Pipe with No. 341 Reamer

1. Move reamer arm down into reaming position (*Figure 10*).

2. Extend reamer by pressing latch and sliding knob toward pipe until latch engages.
3. Check the directional switch to insure it is in the FOR (Forward) position. Depress and hold the foot switch down with the left foot.
4. Position reamer into pipe and complete reaming by pushing carriage lever with right hand.
5. Retract reamer bar and return reamer to the UP position.

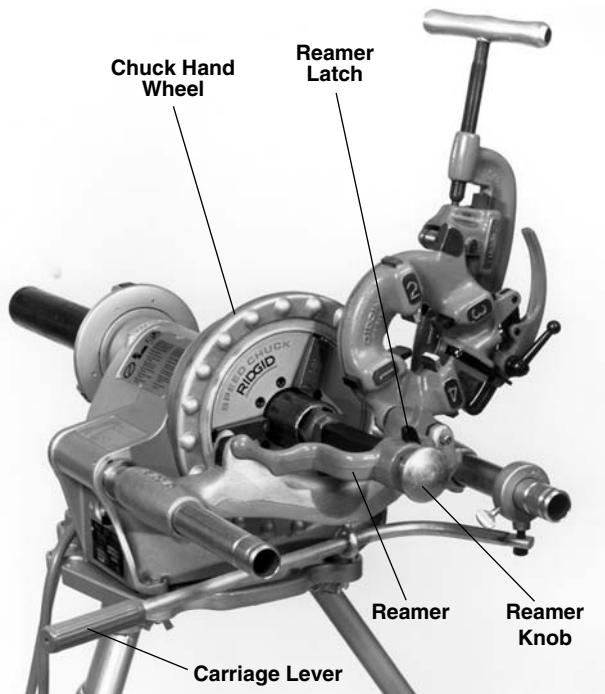


Figure 10 – Reaming Pipe with No. 341 Reamer

6. Release foot switch and remove your foot from the housing.

Threading Pipe with Quick-Opening or Self-Opening Die Head

1. Check to insure the cutter and reamer are to the rear of the carriage (*Figure 11*).
2. Lower die head into threading position.

3. Check that the proper size dies are in the die head. One set of dies is required for each of the following pipe size ranges: ($\frac{1}{8}$ "), ($\frac{1}{2}$ " – $\frac{3}{8}$ "), ($\frac{1}{2}$ " – $\frac{3}{4}$ ") and (1" – 2"). Bolt threading requires a separate set of dies for each bolt size.
4. Set die head to proper size.

NOTE! Refer to the Section on the No. 811A or No. 815A Die Head for instructions on changing dies and adjusting for proper size.

5. Quick-Opening 811A Die Head (*Figure 12*) – Rotate throwout lever to the CLOSED position.
Self-Opening 815A Die Head (*Figure 13*) – Push throwout lever down until the release trigger cocks.
6. Apply RIDGID Thread Cutting Oil to end of the pipe.
7. Assume the correct operating posture.
8. Check directional switch to insure it is in the FOR (Forward) position. Depress and hold the foot switch down with the left foot.
9. Engage dies with pipe using carriage lever and oil dies with plenty of RIDGID Thread Cutting Oil until thread is completed.

⚠ WARNING To avoid serious injury from rotating parts, allow adequate clearance between your hand and rotating parts when oiling.

10. Quick-Opening 811A Die Head (*Figure 12*) – When thread is completed, raise throwout lever to open position, retracting dies.
Self-Opening 815A Die Head (*Figure 13*) – When die head trigger contacts end of pipe, throwout lever automatically opens.
11. Release foot switch and remove your foot from the housing.
12. Move carriage lever away from pipe end and return die head to the UP position.
13. Check the thread for length and depth (*Figure 14*).

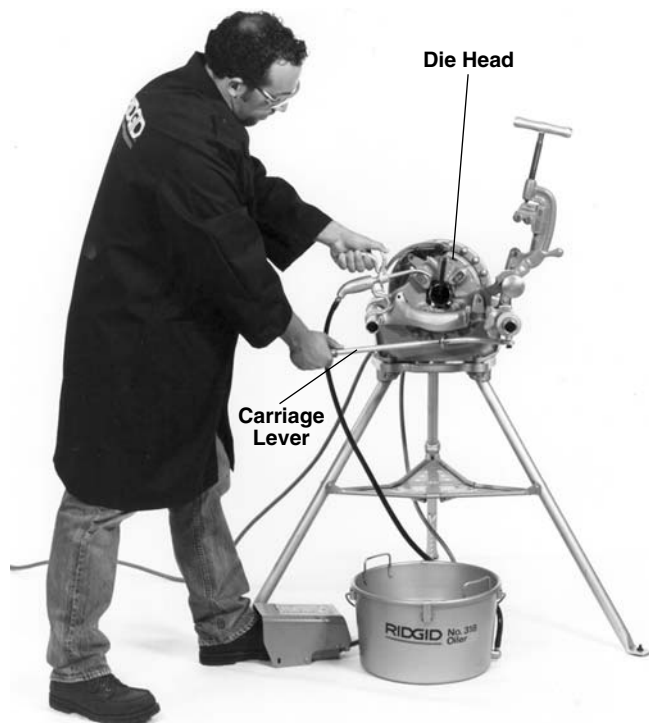


Figure 11 – Threading Pipe with Quick or Self-Opening Die Head

Removing Pipe from the Power Drive

1. Flip directional switch to OFF.
2. Use repeated and forceful clockwise spins of the speed chuck handwheel at the front of the Power Drive to release the workpiece from the speed chuck jaws.
3. If necessary, loosen the rear centering device using a clockwise rotation of the handwheel at the rear of the Power Drive.
4. Slide the workpiece out of the Power Drive, keeping a firm grip on the workpiece as it clears the Power Drive.

⚠ WARNING To avoid injury from falling parts or equipment tip-overs when handling long workpieces, make sure that the end farthest from the Power Drive is supported prior to removal.

5. Clean up any spills or splatter on the ground surrounding the Power Drive.

Installing Dies in No. 811A Quick-Opening Die Head (Right and Left Hand)

NOTE! The No. 811A Universal Die Head (Figure 12) for right hand threads requires four sets of dies for thread pipe ranging from $\frac{1}{8}$ " through 2". One set of dies is required for each of the following pipe

size ranges: ($\frac{1}{8}$ "), ($\frac{1}{4}$ " – $\frac{3}{8}$ "), ($\frac{1}{2}$ " – $\frac{3}{4}$ " and (1" – 2"). The $\frac{1}{8}$ " pipe dies are not available for left hand die head. Bolt threading requires a separate set of dies for each bolt size. No bolt dies are available for left hand universal die heads.

1. With machine unplugged, remove die head. Lay die head on bench with numbers face up.
2. Flip throwout lever to OPEN position.
3. Loosen clamp lever approximately three turns.
4. Lift tongue of clamp lever washer up and out of slot under size bar. Slide throwout lever all the way to end of slot in the OVER direction indicated on size bar (in direction of CHANGE DIES arrow on rear of cam plate).
5. Remove dies from die head.
6. Insert new dies to mark on side of dies. Die numbers 1 through 4 on the dies must agree with those on die head.
7. Slide throwout lever back so that tongue of clamp lever washer will drop in slot under size bar.
8. Adjust die head size bar until the index line on lock screw or link is aligned with proper size mark on size bar. For bolt threads, align index line with BOLT line on size bar.
9. Tighten clamp lever.
10. If oversize or undersize threads are required, set the index line in direction of OVER or UNDER size mark on size bar.
11. Replace die head in machine.

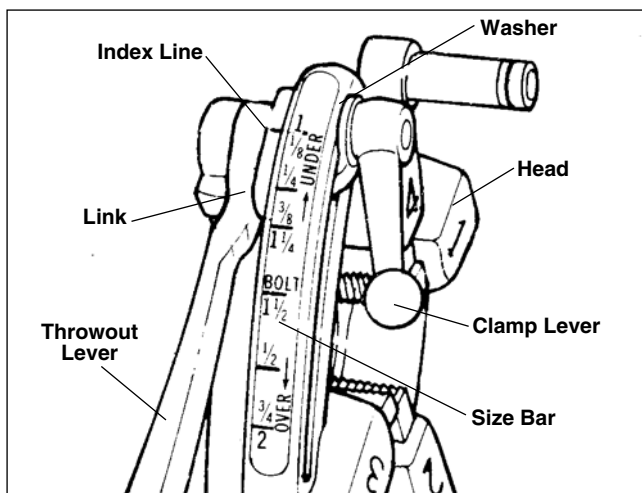


Figure 12 – Universal Quick-Opening Die Head

Installing Dies in No. 815A Self-Opening Die Head (Right Hand Only)

NOTE! The No. 815 Self-Opening Die Head (Figure 13) for right hand threads requires four sets of dies to thread pipe ranging from 1/8" through 2". One set of dies is required for each of the following pipe size ranges: (1/8"), (1/4" – 3/8"), (1/2" – 3/4") and (1" – 2"). Bolt threading requires a separate set of dies for each bolt size.

1. With machine unplugged, remove die head. Place self-opening die head on bench in vertical position.
2. Make sure trigger assembly is released.
3. Loosen clamp lever approximately six turns.
4. Pull lock screw out of slot under size bar so that roll pin in lock screw will by-pass slot. Position size bar so that index line on lock screw is all the way to the end of REMOVE DIES position.
5. Lay head down with numbers up.
6. Remove worn dies from die head.
7. Insert new dies to mark on side of dies. Die numbers 1 through 4 on the dies must agree with those on die head.
8. Rotate cam plate lever back to lock dies in head.
9. With head in vertical position, rotate cam plate until roll pin on lock screw can be positioned in slot under size bar. In this position, dies will lock in die head. Make sure roll pin points toward end of size bar marked REMOVE DIES.
10. Adjust die head size bar until index line on lock screw or links is aligned with proper size mark on size bar. For bolt threads, align index line with BOLT line on size bar.
11. Tighten clamp lever.
12. If oversize or undersize threads are required, set the index line in direction of OVER or UNDER size mark on size bar.
13. Replace die head in machine.

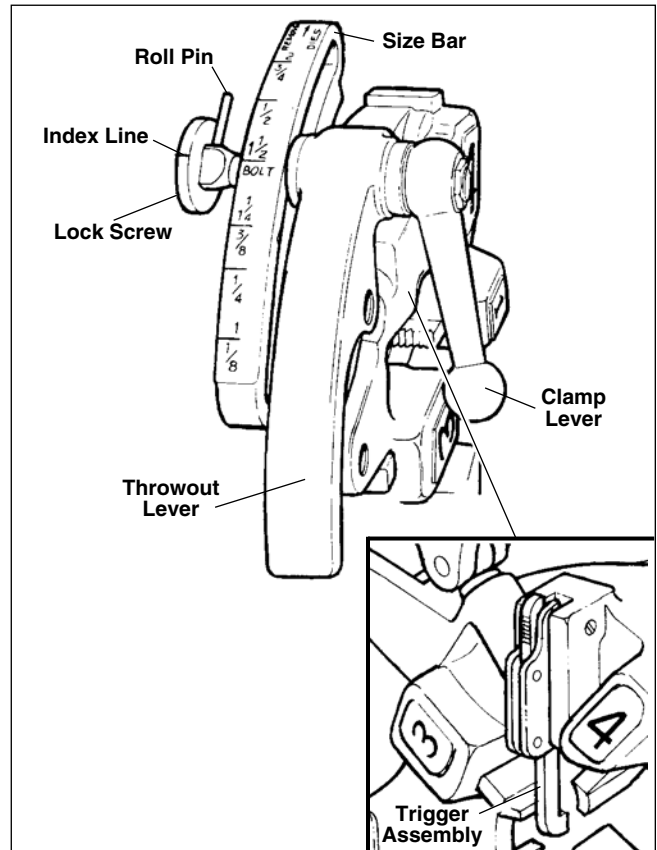


Figure 13 – No. 815 Self-Opening Die Head

Checking Thread Length

1. Thread is cut to proper length when end of pipe is flush with edge of dies (Figure 14A).
2. Die Head is adjustable to obtain proper thread diameter. If possible, threads should be checked with a thread ring gage (Figure 14B). A proper thread is cut when end of pipe is plus or minus one turn of being flush with face of ring gage.

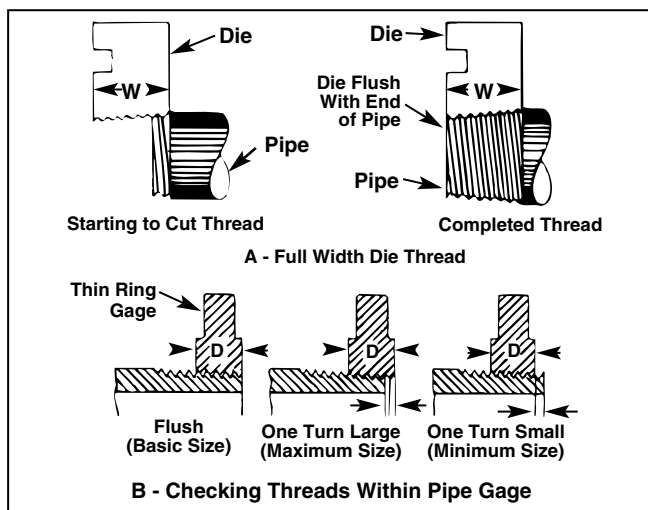


Figure 14 – Checking Thread Length

NOTE! If a ring gauge is not available, a fitting can be used. This fitting should be representative of those being used on the job. The pipe thread should be cut to obtain 2 to 3 turns hand tight engagement with fitting. If pipe thread is not proper diameter the index line should be moved in the direction of the OVER or UNDER size mark on size bar. (Refer to “Installing Dies in Die Heads”).

Accessories

⚠ WARNING

Only the following RIDGID products have been designed to function with the 300 Power Drive. Other accessories designed for use with other tools may become hazardous when used on this Power Drive. To prevent serious injury, use only the accessories listed below.

Accessories for Power Drive

Model No.	Description
1206	Stand for 300 Power Drive
32	Transporter (for Power Drives and Tri-Stand Vises)
819	Nipple Chuck Complete, 1/2" – 2" (12mm – 50 mm)
1452	Clip-On Tool Tray
–	Jaw Inserts for Coated Pipe
E-863	LH/RH Reamer Cone
–	Gearhead Motor Grease

Hand Tools Recommended for Use with Power Drive

Threaders:

- 12-R Pipe Threader
- OO-R Pipe Threader
- 11-R Pipe Threader
- OO-RB Bolt Threader

Cutters:

- No. 1-A and 2-A Cutter
- No. 202 Cutter

Reamers:

- No. 2 and 3 Ratchet Reamers

Contact a RIDGID distributor or consult the Ridge catalog for specifications and catalog numbers.

311A Carriage and Tools as Accessories

Model No.	Description
311	Carriage with No. 312 Lever
341	Reamer for No. 311 Carriage
360	Cutter for No. 311 Carriage
811A	Universal Quick Opening Die Head Only, Right Hand Only
815A	Self-Opening Die Head Only, Right Hand Only

Geared Threaders:

- No. 141 2-1/2" – 4" Pipe (NPT or BSPT)
- No. 161 4 – 6" Pipe (NPT or BSPT)

Accessories for Threading by Close-Coupled Method

Model No.	Description	Geared Threaders	
		141	161
	Pipe Supports		
758	Loop	X	
844	Drive Bar	X	X
346	Support Arm (2)		X
NOTE!	If gear case does not have loop hole, use No. 3675 Adapter Bracket instead of No. 758 Loop.		

Accessories for Threading with Drive Shaft

Catalog No.	Model No.	Description
61122	840-A	Universal Drive Shaft
72037	460	Tristand
42510	92	Adjustable Pipe Support

NOTE! See Ridge Tool catalog for listing of pipe support, thread cutting oil, die heads and dies.

Maintenance Instructions

⚠ WARNING

Make sure machine is unplugged from power source before performing maintenance or making any adjustment.

Jaw Inserts

1. Clean teeth of jaw inserts daily with wire brush.
2. Replace jaw inserts when teeth become worn and fail to hold pipe or rod.

NOTE! Replace entire set of jaw inserts to insure proper gripping of the pipe or rod.

Jaw Insert Replacement

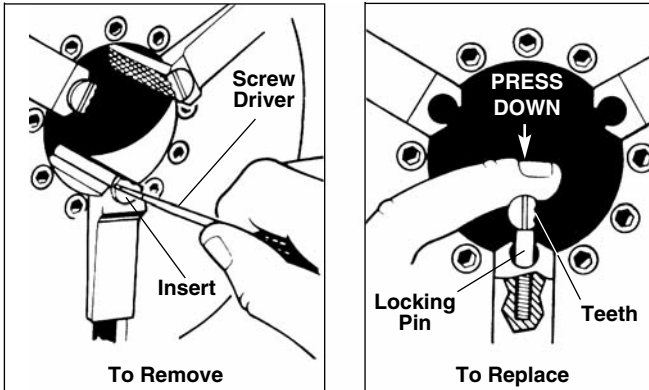


Figure 15 – Replacing Jaw Inserts

1. Place screwdriver in insert slot and turn 90 degrees in either direction.
2. Place insert sideways on locking pin and press down as far as possible.
3. Hold insert down firmly with screwdriver, turn until teeth face up.

Lubrication

Proper lubrication is essential to trouble-free operation and long life of Power Drive.

Grease main shaft bearings every 2 to 6 months depending upon amount of Power Drive use. Grease fittings are provided on side base, one at each end of shaft. Use a good grade of cup grease.

Motor Brush Replacement

1. Check motor brushes every six (6) months and replace when worn to less than 1/2 inch.
2. If communicator is worn, the outer dimension of the communicator should be turned and the mica should be undercut before replacing brushes. This should only be done by qualified repair personnel.

Motor Replacement

1. Unplug motor receptacle from switch box.
2. Remove two (2) screws (E-891) holding motor.
3. Loosen back screw (E-4548) in body at neck of motor and lift motor out.

Machine Storage

⚠ WARNING Motor-driven equipment must be kept indoors or well covered in rainy weather. Store the

machine in a locked area that is out of reach of children and people unfamiliar with power drives. This machine can cause serious injury in the hands of untrained users.

Service and Repair

⚠ WARNING



Service and repair work on this Power Drive must be performed by qualified repair personnel. Power Drive should be taken to a RIDGID Independent Authorized Service Center or returned to the factory. All repairs made by Ridge service facilities are warranted against defects in material and workmanship.

When servicing the Power Drive, only identical replacement parts should be used. Failure to follow these instructions may create a risk of electrical shock or other serious injury.

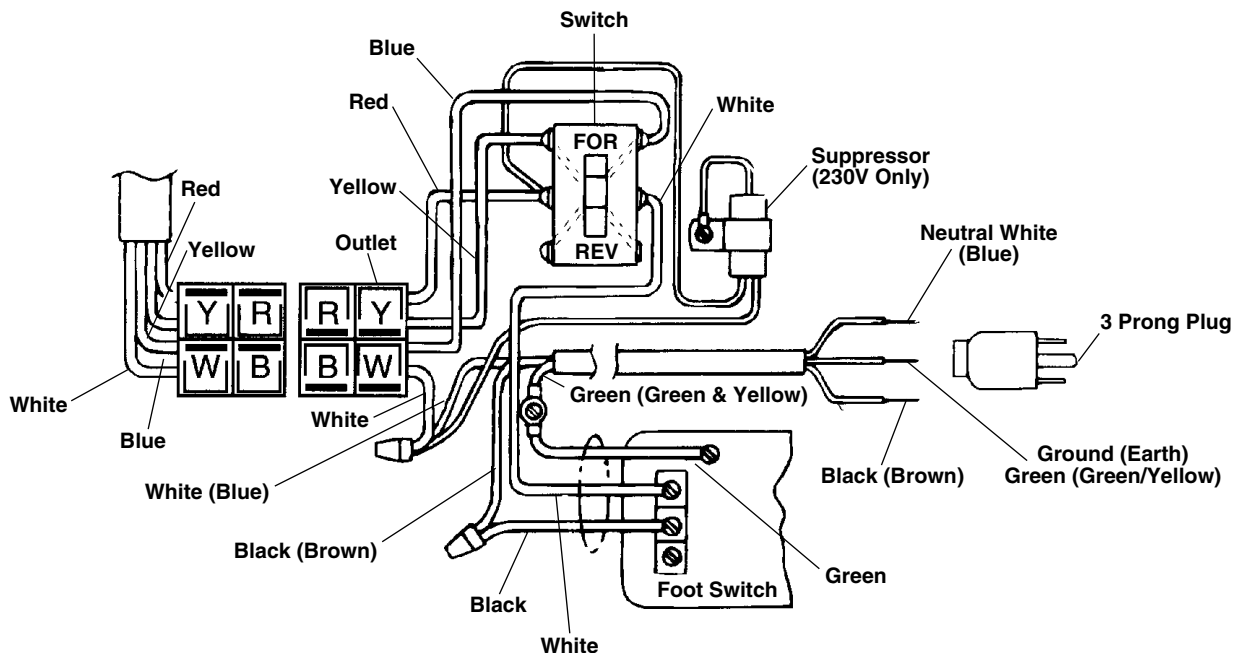
If you have any questions regarding the service or repair of this machine, call or write to:

Ridge Tool Company
 Technical Service Department
 400 Clark Street
 Elyria, Ohio 44035-6001
 Tel: (800) 519-3456
 E-Mail: rttechservices@emerson.com

For name and address of your nearest Independent Authorized Service Center, contact the Ridge Tool Company at (800) 519-3456 or <http://www.RIDGID.com>

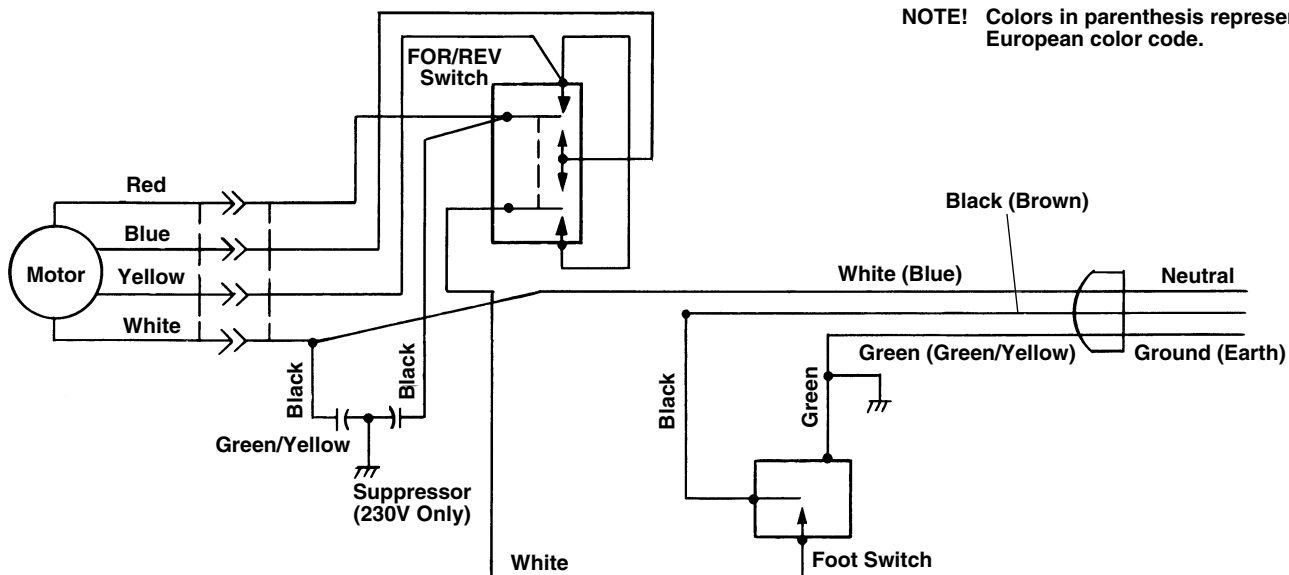
Wiring Diagram (115/230V)

1. Brush and Armature Leads may be solid colors or white with a colored stripe.
2. Wire Colors in parenthesis represent European color code. European cord is the same except for plug.

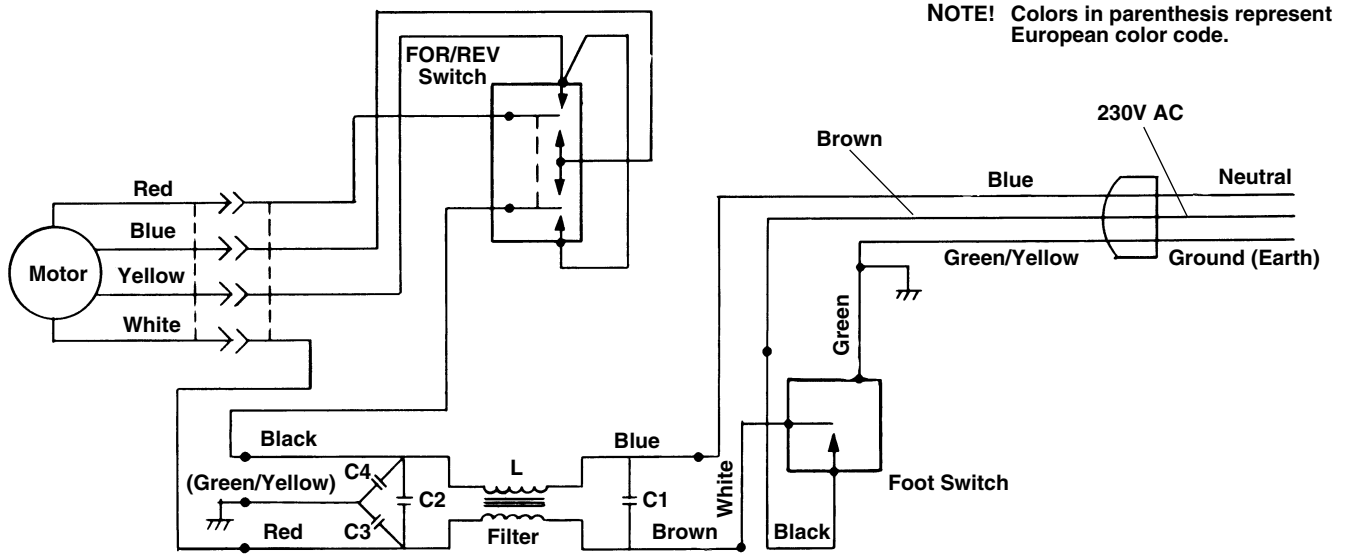


Wiring Schematic (115/230V)

NOTE! Colors in parenthesis represent European color code.



Wiring Schematic (230V) with Line Filter



Systeme d'entraînement n° 300



Modèle **300 Complete** ci-dessus comprenant support, chariot de filetage, tiroir à outils et système de lubrification.

RIDGID®

Systeme d'entraînement n° 300

Enregistrez ci-dessous le numéro de série et conservez le numéro d'identification inscrit sur la plaque signalétique de l'appareil.

N° de
série

--	--

Table des Matières

Fiche d'enregistrement du numéro de série de l'appareil	19
Consignes générales de sécurité	
Sécurité du chantier	21
Sécurité électrique	21
Sécurité personnelle	21
Utilisation et entretien des outils	22
Réparations	22
Consignes de sécurité particulières	
Sécurité de la pédale de commande	22
Sécurité de l'appareil	22
Description, spécifications et accessoires de base	
Description.....	23
Spécifications.....	23
Equipements de base	24
Assemblage de l'appareil	
Montage sur support n° 1206	24
Montage du chariot 311A et des outils	25
Inspection de l'appareil	25
Préparation de l'appareil et du chantier	26
Utilisation des outils à main	
Installation des tuyaux sur le système d'entraînement	28
Coupe des tuyaux à l'aide du coupe-tubes à main	28
Alésage des tuyaux à l'aide de l'alésoir à main	28
Filetage des tuyaux à l'aide de la fileteuse à main	29
Retrait du tuyau du système d'entraînement	30
Utilisation des outils sur chariot du système d'entraînement	
Introduction des tuyaux dans le système d'entraînement	31
Coupe des tuyaux à l'aide du coupe-tubes n° 360	31
Alésage des tuyaux à l'aide de l'alésoir n° 341	31
Filetage des tuyaux à l'aide des têtes de filière à ouverture rapide ou automatique	32
Retrait des tuyaux	33
Montage des filières sur la tête de filière à ouverture rapide (filetage à droite et inversé)	33
Montage des filières sur la tête de filière à ouverture automatique (filetage à droite uniquement)	33
Vérification de la longueur de filetage	34
Accessoires	35
Entretien	
Mors.....	35
Remplacement des mors	36
Lubrification	36
Remplacement des balais du système	36
Remplacement du système	36
Stockage de l'appareil	36
Entretien et réparations	36
Circuit électrique	37
Schéma électrique	37
Garantie à vie	Page de garde

Consignes générales de sécurité

⚠ AVERTISSEMENT

Familiarisez-vous avec l'ensemble des consignes de sécurité et d'utilisation ci-présentes afin d'éviter les risques de choc électrique, d'incendie et/ou de grave blessure corporelle.

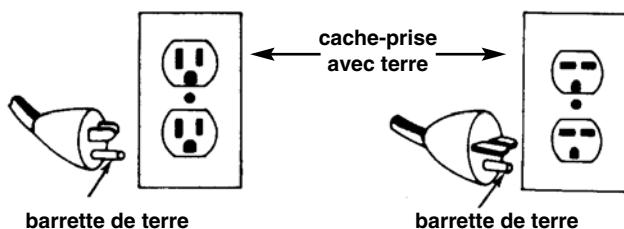
CONSERVEZ CETTE NOTICE !

Sécurité du chantier

- **Gardez le chantier propre et bien éclairé.** Les établis encombrés et les locaux mal éclairés sont une invitation aux accidents.
- **N'utilisez pas d'appareils électriques dans un milieu explosif tel qu'en présence de liquides, de gaz ou de poussières inflammables.** L'appareil produit des étincelles qui pourraient provoquer la combustion des poussières et vapeurs.
- **Gardez les tiers, les enfants et les visiteurs à l'écart lorsque vous utilisez un appareil électrique.** Les distractions peuvent vous faire perdre le contrôle de l'appareil.
- **Assurez-vous que les sols sont secs et exempts d'huile ou d'autres matières visqueuses.** Les sols glissants sont une invitation aux accidents.
- **Clôturez ou barricadez votre chantier lorsque le tuyau dépasse le gabarit de l'appareil.** Une clôture ou barricade assurant un dégagement minimum d'un mètre autour du tuyau réduit les risques d'enchevêtrement.

Sécurité électrique

- **Les appareils électriques avec terre doivent être branchés sur une prise avec terre appropriée et conforme aux normes en vigueur. Ne jamais enlever la barrette de terre ou tenter de modifier la fiche d'aucune manière. Ne jamais utiliser d'adaptateurs de prise. Consultez un électricien qualifié en cas de doute sur la bonne mise à la terre de la prise.** Dans le cas d'une panne ou d'une défaillance électrique de l'appareil, la terre assure un passage de faible résistance qui éloigne le courant électrique de l'opérateur.



- **Évitez tout contact avec les surfaces mises à la**

terre. Le contact avec des masses augmente les risques de choc électrique

- **N'exposez pas les appareils électriques aux intempéries ou à l'eau.** Toute pénétration d'eau à l'intérieur de l'appareil augmente les risques de choc électrique.
- **Ne maltraitez pas le cordon électrique de l'appareil. Ne jamais porter l'appareil par son cordon électrique, ni tirer sur celui-ci pour débrancher l'appareil. Gardez le cordon à l'abri des sources de chaleur, de l'huile, des angles tranchants et des pièces mobiles. Remplacez immédiatement tout cordon endommagé.** Les cordons endommagés augmentent les risques de choc électrique.
- **A l'extérieur, utilisez une rallonge électrique portant l'indication "W-A" ou "W".** Ce type de cordon est prévu pour être utilisé à l'extérieur et réduit les risques de choc électrique.
- **Utilisez uniquement des rallonges à trois fils équipées d'une fiche bipolaire plus terre à trois barrettes et d'une prise bipolaire plus terre qui correspond à la fiche de l'appareil.** L'utilisation d'autres types de rallonge électrique n'assurera pas la mise à la terre de l'appareil et augmentera les risques de choc électrique.
- **Utilisez la section de rallonge appropriée (voir le tableau).** Une section de conducteurs insuffisante entraînera des pertes de charge excessive et un manque de puissance.

Sections minimales des fils conducteurs des rallonges			
Ampères indiqués sur la plaque signalétique	Longueur totale (en pieds)		
	0 à 25	26 à 50	51 à 100
0 à 6	18 AWG	16 AWG	16 AWG
6 à 10	18 AWG	16 AWG	14 AWG
10 à 12	16 AWG	16 AWG	14 AWG
12 à 16	14 AWG	12 AWG	Déconseillé

- **Gardez les rallonges électriques au sec et surélevées. Ne touchez pas les fiches électriques ou l'appareil avec les mains mouillées.** Cette précaution réduira les risques de choc électrique.

Sécurité personnelle

- **Restez attentif, faites attention à ce que vous faites et faites preuve de bon sens lorsque vous utilisez un appareil électrique. N'utilisez pas ce type d'appareil lorsque vous êtes fatigués ou lorsque vous prenez des médicaments, de l'alcool ou des produits pharmaceutiques.** Un instant d'inattention peut entraîner de graves blessures lorsque l'on utilise un appareil électrique.

- **Habillez-vous de manière appropriée. Ne portez pas de vêtements amples ni de bijoux. Attachez les cheveux longs. Gardez vos cheveux, vos vêtements et vos gants à l'écart des pièces mobiles.** Les vêtements amples, les bijoux et les cheveux longs peuvent s'entraver dans les pièces mobiles.
- **Évitez les risques de démarrage accidentel. Assurez-vous que l'interrupteur marche/arrêt est en position OFF (arrêt) avant de brancher l'appareil.** Le fait de porter l'appareil avec votre doigt sur la gâchette ou le brancher lorsque son interrupteur est en position de marche, est une invitation aux accidents.
- **Enlevez les clés de réglage et autres outils avant de mettre l'appareil en marche.** Une clé laissée sur une partie rotative de l'appareil peut entraîner des blessures corporelles.
- **Ne vous mettez pas en porte-à-faux. Maintenez une bonne assise et un bon équilibre à tout moment.** Une bonne assise et un bon équilibre vous permettent de mieux contrôler l'appareil en cas d'imprévu.
- **Utilisez les équipements de sécurité appropriés. Portez un protection oculaire systématiquement.** Un masque à poussière, des chaussures de sécurité, le casque et/ou une protection auditive doivent être portés selon les conditions d'utilisation.

Utilisation et entretien de l'appareil

- **N'utilisez pas un appareil si son interrupteur ne permet pas de le mettre en marche ou de l'arrêter.** Tout appareil qui ne peut pas être contrôlé par son interrupteur est dangereux et doit être réparé.
- **Débranchez le cordon électrique de l'appareil avant tout réglage, changement d'accessoires ou rangement de celui-ci.** De telles mesures préventives réduisent le risque de démarrage accidentel de l'appareil.
- **Rangez les appareils non utilisés hors de la portée des enfants et des personnes non-initiées.** Ces appareils sont dangereux entre les mains de personnes non initiées.
- **Assurez-vous qu'il n'y a pas de mauvais alignement ou de grippage des pièces rotatives ou d'autres conditions qui pourraient entraver le bon fonctionnement de l'appareil. Le cas échéant, faire réparer l'appareil avant de vous en servir.** De nombreux accidents sont le résultat d'un appareil mal entretenu.
- **Utilisez exclusivement les accessoires recommandés par le fabricant pour votre appareil parti-**

culier. Des accessoires prévus pour un certain type d'appareil peuvent être dangereux.

- **Gardez les poignées de l'appareil propres, sèches et dépourvues d'huile ou de graisse.** Cela vous permettra de mieux contrôler l'appareil.

Réparations

- **Toutes réparations de l'appareil doivent être confiées à un réparateur qualifié.** La réparation ou l'entretien de l'appareil par du personnel non qualifié peut entraîner des blessures.
- **Lors de la réparation de l'appareil, utilisez exclusivement des pièces de rechange identiques à celles d'origine. Suivez les instructions de la section "Entretien" du mode d'emploi.** L'utilisation de pièces de rechange non homologuées ou le non respect des consignes d'entretien peut créer un risque de choc électrique ou de blessure corporelle.

Consignes de sécurité spécifiques

⚠ AVERTISSEMENT

Familiarisez-vous avec ce mode d'emploi avant de tenter d'utiliser le système d'entraînement n° 300. L'incompréhension ou non respect des consignes qu'il contient augmente les risques de choc électrique, d'incendie et/ou de graves blessures corporelles.

En cas de questions, veuillez consulter le service technique de la Ridge Tool Company en composant le (800) 519-3456.

⚠ AVERTISSEMENT Sécurité de la pédale de commande

L'utilisation d'un système d'entraînement ou d'une machine à fileter quelconque sans sa pédale de commande augmente les risques de blessure grave. La pédale de commande assure un meilleur contrôle de l'appareil, car elle permet d'arrêter le système en retirant simplement le pied. Si vos vêtements devaient se prendre dans le mécanisme, ils s'embodraient en vous entraînant avec eux. Vu le couple élevé de la machine, les vêtements eux-mêmes risquent de s'entortiller autour d'un bras ou autre partie du corps avec suffisamment de force pour briser les os.

Sécurité de l'appareil

- **Ce système d'entraînement est prévu pour le filetage et la coupe des tuyaux et des boulons, ainsi que pour l'entraînement du matériel de rain-**

urage RIDGID. Respectez les instructions d'utilisation ci-après. Ne pas utiliser cet appareil à d'autres fins, tels que le percement de trous ou l'entraînement de treuils. Toute utilisation imprévue ou modification de cet appareil augmente les risques de grave blessure corporelle.

- **Arrimez l'appareil solidement sur un établi ou un support. Soulagez les grandes longueurs de tuyaux à l'aide de porte-tubes.** Cette précaution évitera le renversement éventuel des tuyaux.
- **Ne portez pas de gants ou de vêtements trop amples. Gardez les manches de chemise et les blousons boutonnés. Ne vous penchez pas sur l'appareil.** Les vêtements risquent de s'embobiner autour du tuyau et provoquer de graves blessures corporelles.
- **Tenez-vous du côté du commutateur directionnel REV/OFF/FOR de l'appareil lors de son utilisation.** Cela vous évitera d'avoir à vous pencher sur l'appareil.
- **N'utilisez pas cet appareil en cas de défaillance ou d'absence de la pédale de commande.** La pédale de commande est un dispositif de sécurité servant à éviter les blessures corporelles graves.
- **Ecartez vos mains des tuyaux et raccords en rotation. Arrêtez l'appareil avant d'essuyer les filets d'un tuyau ou d'y visser un raccord. Laissez l'appareil s'arrêter complètement avant de toucher le tuyau ou les mandrins de la machine.** Cette précaution évitera les risques d'enchevêtrement et grave blessure corporelle.
- **Ne pas utiliser cet appareil pour le montage ou le déblocage des raccords.** Ces opérations ne font pas partie des utilisations prévues pour cet appareil et risquent d'entraîner de graves blessures corporelles.
- **Serrez le volant du mandrin et engagez le dispositif de centrage arrière sur le tuyau avant de mettre l'appareil en marche.** Cela empêchera l'oscillation des tuyaux.
- **Gardez les carters de sécurité de l'appareil en place. Ne pas utiliser l'appareil sans ses carters de sécurité.** Toute exposition aux mécanismes de l'appareil crée un risque d'enchevêtrement et de grave blessure corporelle.
- **Verrouillez la pédale de commande lorsque l'appareil ne sert pas (Figure 1).** Cela évitera les risques de démarrage accidentel.

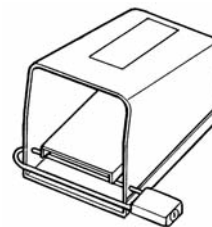


Figure 1 – Pédale de commande verrouillée

Description, spécifications et accessoires de base

Description

Le système d'entraînement RIDGID® 300 est un appareil à système électrique prévu pour le centrage, le mandrinage et l'entraînement rotatif des tuyaux, gaines et tiges (boulonnerie) lors des opérations de coupe et d'alésage. Son commutateur directionnel FOR/OFF/REV permet de sélectionner le sens de filetage (à droite ou inversé), et une pédale de commande assure la fonction d'interrupteur marche/arrêt du système.

Les opérations de filetage, de coupe et d'alésage peuvent être effectuées à l'aide d'outils à main traditionnels ou bien à l'aide d'outils spécialement prévus pour être montés sur le système d'entraînement. Un système de lubrification manuel est disponible pour inonder les filets d'huile de coupe lors du filetage. Des fileteuses démultipliées peuvent être montées sur le système d'entraînement pour le filetage des tuyaux de forte section.

Le système d'entraînement RIDGID N° 300 peut également servir de système d'entraînement pour le matériel de rainurage à galets. Monté sur les barres d'appui du système d'entraînement, ce type de rainureuse permet de former des rainures standards sur une variété de sections et de compositions de tuyau.

NOTA ! Consultez votre distributeur RIDGID ou le catalogue RIDGID pour plus d'informations concernant le matériel de rainurage à galets.

Spécifications

Capacité de filetage.....	Tuyaux de 1/8 à 2 po Tige filetée de 1/4 à 2 po
	Fileteuses démultipliées: Tuyaux de 2 1/2 à 6 po
Mandrin	Mandrin à fermeture rapide avec mors remplaçables
Dispositif de centrage arrière	Système à cames tournant avec le mandrin

Régime de rotation38 ou 57 t/min

Système:

TypeUniversel

Puissance1/2 CV

Tension
d'alimentation.....120V, courant alternatif,
monophasé, 25 – 60 Hz
(230V disponible sur
demande)

Ampères.....15A (38 t/min)
18A (57 t/min)

CommandesCommutateur directionnel
FOR/OFF/REV et pédale de
commande Marche/Arrêt

Poids.....77 livres

- Chariot avec levier N° 311
- Alésoir N° 341
- Coupe-tubes N° 360
- Tête de filière universelle N° 811A
- Jeu de filières universelles alliage de 1/2 à 3/4 po
- Jeu de filières universelles alliage de 1 à 2 po
- Canette de 4 oz White Sealant au PTFE
- Système de lubrification N° 418
- 1 gallon d'huile de coupe Nu-Clear
- Transporteur N° 32

Réf. Catalogue	Modèle	Désignation	Vitesse de rotation (t/min)	Poids	
				Livres	Kg
41855	300 Seul	115V,25-60 Hz	38	94	43,0
75075	300 Seul	115V,25-60 Hz	57	94	43,0
41860	300 Seul	230V,25-60 Hz	38	94	43,0
75435	300 Seul	230V,25-60 Hz	38	94	43,0
15682	300 Complet	115V,25-60 Hz 1/2 à 2 po NPT	38	212	96,2
15722	300 Complet	115V,25-60 Hz 1/2 à 2 po NPT	57	212	96,2

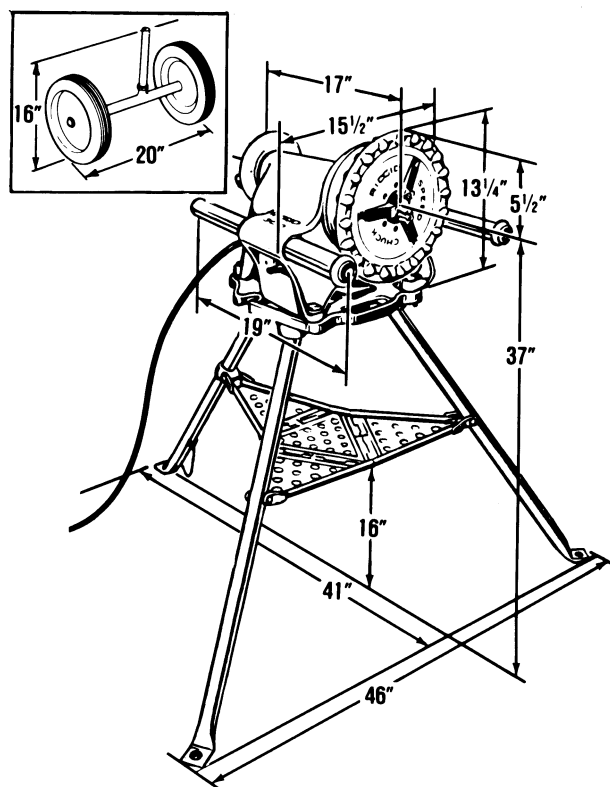


Figure 2 – Système d'entraînement N° 300 sur support N° 1206

Equipements de base

Système d'entraînement seul:

- Système d'entraînement N° 300

Système d'entraînement complet:

- Système d'entraînement N° 300
- Support N° 1206

Assemblage de l'appareil

⚠ AVERTISSEMENT



Le système d'entraînement doit être correctement assemblé afin d'éviter les risques de blessure corporelle grave. Il doit être monté sur support ou établi stable afin d'éviter les risques de renversement et de graves blessures corporelles. Les consignes d'assemblage suivantes doivent être respectées:

Montage sur support N° 1206

1. Préparez le support N° 1206 en dépliant ses jambes et en poussant son plateau vers le bas. Les jambes devraient être raides et le support ne doit pas gigoter.

NOTA ! La raideur des jambes du trépied peut être augmentée ou diminuée de la manière suivante:

- Posez le support à l'envers sur une surface plane.
- Déverrouillez le plateau afin d'en libérer les jambes.

- Repérez la vis de blocage du support de jambe de plateau qui se trouve sur la jambe arrière (Figure 3).
- Desserrez la vis de blocage pour effectuer le réglage. Pour augmenter la raideur, ramenez le support de jambe de plateau vers l'embase. Pour diminuer la raideur, poussez la jambe de plateau vers le bas des jambes.
- Serrez la vis de blocage (l'augmentation de la raideur des jambes augmente la tension du plateau).

2. Montez le système d'entraînement sur le support à l'aide des boulons et écrous papillon prévus (Figure 3).

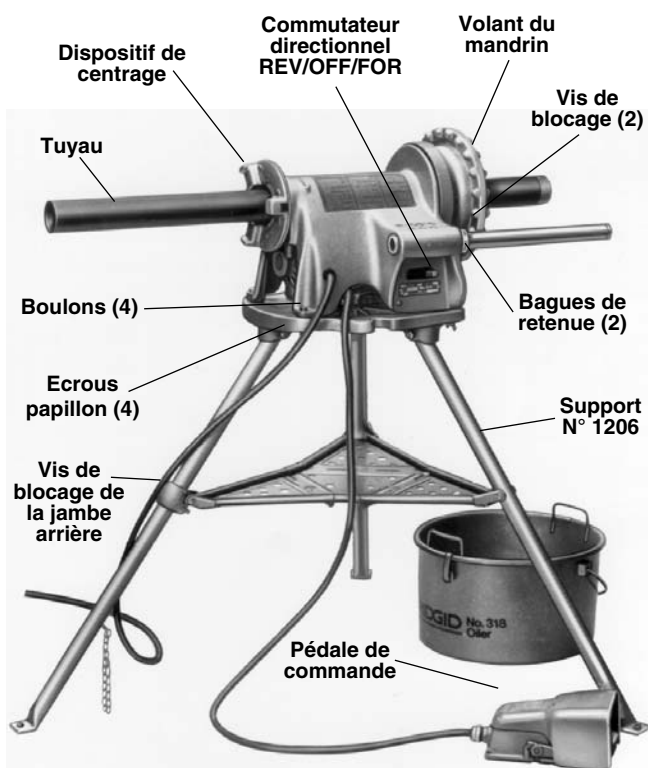


Figure 3 – Système d'entraînement N° 300 monté sur support N° 1206 avec dispositif de lubrification N° 418

Montage du chariot N° 311A et accessoires

1. Examinez les barres d'appui pour vous assurer qu'elles sont en position avancée et retenues par deux (2) bagues de retenues. Les vis de blocage des bagues de retenue doivent être serrées (Figure 4).

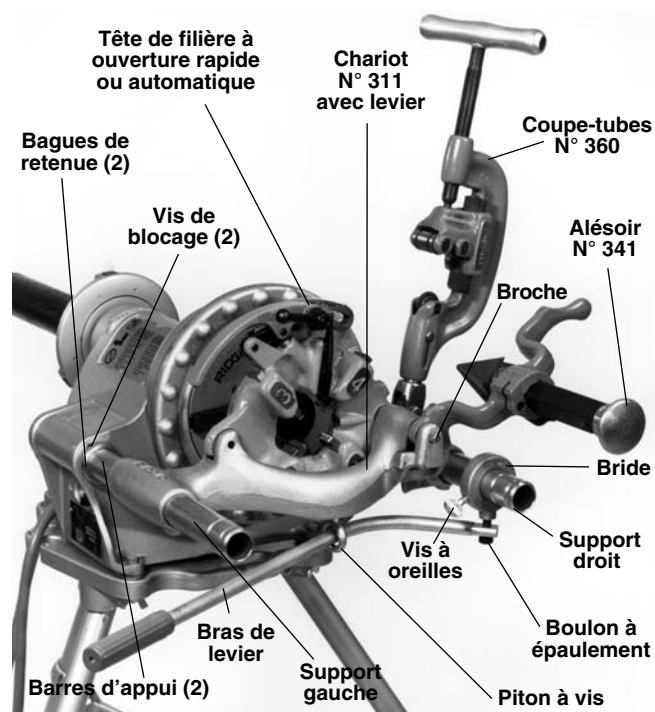


Figure 4 – Système d'entraînement N° 300 avec chariot N° 311A, coupe-tubes N° 360, alésoir N° 341 et tête de filière

2. Vissez le piton sur le chariot N° 311A. Passez le bras de levier par l'oeil du piton et fixez-le sur la bride à l'aide du boulon à épaulement (Figure 4).
3. Serrez la vis à oreilles de la bride dans la rainure de la barre d'appui.
4. Montez le coupe-tubes N° 360 et l'alésoir N° 341 en introduisant la barre dans l'encoche prévue dans le chariot, puis en le fixant à l'aide de la broche d'entraînement (Figure 4).
5. Montez la tête de filière N° 811A en introduisant le tenon de la tête de filière dans l'évidement correspondant du chariot.

NOTA ! Une fois complètement introduit, une bille à ressort retiendra la tête de filière en place.

Inspection de l'appareil

⚠ AVERTISSEMENT



Inspectez le système d'entraînement afin d'éviter

les risques de grave blessure corporelle. L'inspection suivante doit être effectuée au quotidien:

1. Assurez-vous que le système d'entraînement est débranché et que le commutateur directionnel est en position OFF (arrêt) (Figure 3).
2. Nettoyez les mors du mandrin rapide à l'aide d'une brosse métallique.
3. Examinez les mors pour signes d'usure excessive. Se reporter à la section intitulée "Entretien" s'il est nécessaire de les remplacer.

NOTA ! Des mors spéciaux (pièce N° 97365) doivent être utilisés pour le travail du plastique ou des tuyaux revêtus afin d'éviter d'endommager le tuyau.

4. Assurez-vous que la pédale de commande est en place et qu'elle est raccordée au système d'entraînement (Figure 3).

⚠ AVERTISSEMENT Ne pas utiliser le système d'entraînement sans pédale de commande.

5. Examinez le cordon d'alimentation et sa fiche pour signes de détérioration. Si la fiche a été modifiée ou si le cordon est endommagé, n'utilisez pas le système d'entraînement avant d'avoir remplacé le cordon.
6. Examinez le système d'entraînement pour signes endommagés, absentes, mal alignées ou grippées, ainsi que pour signes d'autres conditions qui risqueraient de nuire au bon fonctionnement et à la sécurité de l'appareil. Le cas échéant, ne pas utiliser le système d'entraînement avant d'avoir corrigé le problème.
7. Lorsque nécessaire, lubrifiez les paliers de l'axe du système d'entraînement selon les consignes de la section Entretien.
8. Servez-vous des outils et des accessoires prévus pour votre système d'entraînement et qui correspondent au travail en question. Les outils et accessoires appropriés vous permettent d'effectuer le travail correctement et en toute sécurité. Les accessoires prévus d'autres types d'appareil peuvent être dangereux lorsqu'ils sont utilisés avec ce type de système d'entraînement.
9. Éliminez toutes traces d'huile, de graisse et de crasse des poignées et des commandes. Cela réduira les risques de blessure en cas de perte de contrôle de l'appareil.

Examinez les tranchants de vos outils et filières. Si nécessaire, remplacez-les avant d'utiliser le système d'entraînement. Des outils de coupe et filières émoussés ou endommagés peuvent provoquer le

grippage de l'appareil, le bris de l'outil en question et des filetages de mauvaise qualité.

10. Enlevez les copeaux de métal et autres débris du tiroir de récupération du système de lubrification N° 418. Vérifiez le niveau et la qualité de l'huile de coupe. Si nécessaire, remplacez l'huile ou faites l'appoint.

NOTA ! L'huile de coupe lubrifie et refroidit les filets durant le filetage. Une huile de coupe sale ou de mauvaise qualité risque de nuire à la qualité des filetages.

Préparation de l'appareil et du chantier

⚠ AVERTISSEMENT

Afin d'éviter les risques de grave blessure corporelle, il est nécessaire de préparer l'appareil et le chantier de manière appropriée. Respectez les consignes suivantes lors de la préparation de l'appareil:

1. Assurez-vous que le chantier a les caractéristiques suivantes:
 - Suffisamment d'éclairage.
 - Absence de liquides, vapeurs ou poussières combustibles.
 - Prise de courant avec terre.
 - Un passage dégagé jusqu'à la prise de courant sans sources de chaleur, sans huile, sans arrêtes vives, et sans mécanismes qui risqueraient d'endommager le cordon d'alimentation.
 - Une surface sèche pour l'appareil et son utilisateur. Ne pas utiliser l'appareil lorsque vous avez les pieds dans l'eau.
 - Un sol plan et de niveau.
2. Nettoyez le chantier avant d'installer le matériel. Esuyez systématiquement toutes traces d'huile qui auraient pu s'éclabousser ou s'écouler de l'appareil ou de système de lubrification afin d'éviter les risques de dérapage et de chute.
3. Installez le système d'entraînement sur une surface plane et de niveau.
 - Lors du montage du système d'entraînement sur le support N° 1206, déployez les jambes de support et rebaissez le plateau. Les jambes doivent être raides et le support parfaitement stable.

NOTA ! Pour augmenter ou diminuer la raideur, reportez-vous à la section intitulée "Montage sur support N° 1206".

4. Lorsque le tuyau déborde de plus de quatre (4) pieds par rapport à l'extrémité du système d'entraînement,

servez-vous d'un ou de plusieurs porte-tubes afin d'empêcher le renversement et l'oscillation du tuyau.

5. Lorsque le tuyau dépasse le gabarit du système d'entraînement, prévoyez des clôtures ou des barricades disposées à un minimum d'un mètre au pourtour du système d'entraînement et du tuyau. Cette 'zone de sécurité' empêche les autres de heurter accidentellement l'appareil ou le tuyau et, par la même, de renverser le matériel ou de s'enchevêtrer dans le mécanisme.
6. Si nécessaire, remplissez le système de lubrification N° 418 d'huile de coupe RIDGID Thread Cutting Oil. Positionnez le système de lubrification sous l'avant du système d'entraînement (*Figure 3*).
7. Vérifiez que le commutateur directionnel FOR/OFF/REV se trouve en position OFF.
8. Positionnez la pédale de commande de manière à pour contrôler l'appareil, ses outils et le tuyau en toute sécurité. Comme indiqué à la (*Figure 8*), la pédale doit permettre à son utilisateur de:
 - Se tenir face au commutateur directionnel.
 - Se servir du pied gauche pour activer la pédale de commande.
 - Pouvoir accéder facilement au commutateur directionnel, aux outils et aux mandrins sans avoir à se pencher sur l'appareil.

Cette machine est prévue pour être utilisée par une seule personne.

9. Branchez le cordon d'alimentation du système d'entraînement sur la prise de courant en faisant attention de le faire passer par le passage dégagé prévu. Si le cordon d'alimentation n'arrive pas jusqu'à la prise, servez-vous d'une rallonge qui soit en bon état.

⚠ AVERTISSEMENT

Afin d'éviter les risques de choc électrique et d'incendie, ne jamais utiliser de rallonge endommagée ou qui ne répond pas aux exigences suivantes:

- La rallonge doit être équipée d'une fiche à trois barrettes semblable à celle indiquée à la section intitulée "Sécurité électrique".
- La rallonge doit être du type "W" ou "W-A" si elle doit servir à l'extérieur.
- La rallonge doit être de section suffisante (fils de 14 AWG sous 25' ou 12 AWG de 25' à 50'). Si la section des fils conducteurs de la rallonge est insuffisante, la rallonge risque de surchauffer, de fondre et d'incendier les objets à proximité.

⚠ AVERTISSEMENT Afin de limiter les risques de choc électrique, gardez toutes connexions électriques au sec et surélevées. Ne jamais toucher la fiche d'un cordon électrique avec les mains mouillées.

10. Vérifiez le bon fonctionnement du système d'entraînement.
 - Mettez le commutateur directionnel en position FOR (marche avant). Appuyez momentanément sur la pédale de commande. Vérifiez que le système d'entraînement tourne bien à gauche lorsque vous faites face au mandrin avant. Faites réparer le système d'entraînement s'il tourne en sens inverse ou si la pédale de commande ne permet pas de l'arrêter ou de le mettre en marche.
 - Tenez la pédale de commande appuyée afin de vérifier qu'il n'y a pas de mauvais alignement ou de grippage des mécanismes et qu'il n'y ait pas de bruits bizarres ou autres conditions inhabituelles qui pourraient nuire à la sécurité et au fonctionnement normal de l'appareil. Le cas échéant, faites réparer le système d'entraînement.
 - Mettez le commutateur directionnel en position REV (marche arrière). Appuyez momentanément sur la pédale de commande. Vérifiez que le système d'entraînement tourne bien à droite lorsque vous faites face au mandrin.
 - Lâchez la pédale de commande et mettez le commutateur directionnel en position OFF.

Utilisation des outils à main

⚠ AVERTISSEMENT



Ne portez pas de gants ou de vêtements amples lors de l'utilisation de ce système d'entraînement. Boutonnez vos manches de chemise et de blouson. Ne vous penchez pas sur l'appareil ou le tuyau.

N'utilisez pas le système d'entraînement si sa pédale de commande est endommagée ou absente. Portez systématiquement une protection oculaire afin de protéger vos yeux contre la projection de débris.

Écartez vos mains du tuyau et des raccords lorsqu'ils tournent. Arrêtez l'appareil avant d'essuyer les filets ou de viser un raccord. Attendez que l'appareil se soit arrêté complètement avant de toucher le tuyau ou les mandrins.

N'utilisez pas cet appareil pour enfiler ou débloquer les raccords. Cela ne fait pas partie des opérations prévues pour le système d'entraînement.

Installation des tuyaux dans le système d'entraînement:

1. S'il doit être recoupé, marquez le tuyau à la longueur voulue.
2. Introduisez le tuyau dans le système d'entraînement de manière à ce que l'extrémité à traiter ou à couper se trouve à approximativement 12 pouces en avant des mors du mandrin rapide. Introduisez le tuyau de grande longueur via l'une ou l'autre des extrémités de l'appareil de manière à ce que la section la plus longue sorte de l'arrière du système d'entraînement.
3. Introduisez les pièces de moins de 2 pieds de long par l'avant de l'appareil. Introduisez les tuyaux plus longs via l'une ou l'autre des extrémités, de manière à ce que la section la plus longue saillisse de l'arrière du moteur d'entraînement.

⚠ AVERTISSEMENT Positionnez des porte-tubes sous le tuyau afin d'éviter le renversement de l'ensemble.

4. Serrez le dispositif de centrage arrière autour du tuyau en tournant le volant que se trouve à l'arrière du système d'entraînement à gauche. Cela empêchera le déplacement du tuyau et les filetages de mauvaise qualité qui en résulteraient.
5. Serrez le tuyau en tournant le volant du mandrin rapide qui se trouve à l'avant du système d'entraînement sèchement à gauche à plusieurs reprises. Ce martelage assurera un maximum de serrage des mors autour du tuyau.
6. Déployez les deux barres d'appui complètement vers l'avant du système d'entraînement.

Coupe des tuyaux à l'aide du coupe-tubes à main

1. Positionnez le coupe-tubes sur le tuyau avec les galets de coupe vers le haut (se reporter à la section intitulée "Accessoires" pour les coupe-tubes recommandés).
2. Alignez les galets de coupe sur le repère de coupe du tuyau et reposez le bâtis du coupe-tubes sur la barre d'appui côté gauche (*Figure 5*). Serrez le coupe-tubes manuellement contre le tuyau en tournant la poignée de la vis d'alimentation, tout en gardant les galets de coupe alignés sur le repère.
3. Tenez-vous en position de travail appropriée (*Figure 8*). Cela vous permettra de maintenir votre équilibre et de contrôler l'appareil et les outils en toute sécurité.
 - Assurez-vous de pouvoir rapidement retirer votre pied de la pédale de commande.

- Tenez-vous face au commutateur directionnel.
 - Assurez-vous de pouvoir accéder facilement au commutateur directionnel, aux outils et aux mandrins.
 - Ne vous penchez pas sur l'appareil ou le tuyau.
4. Mettez le commutateur directionnel en position FOR (marche avant).
 5. Prenez la poignée de la vis d'alimentation du coupe-tubes des deux mains (*Figure 5*) et tenez la pédale de commande appuyée avec votre pied gauche.

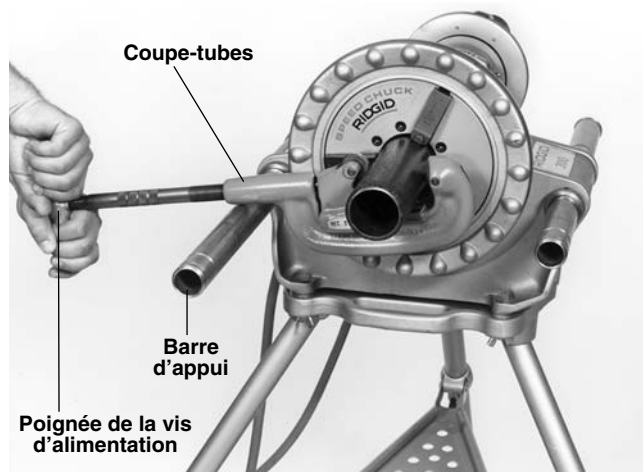


Figure 5 – Coupe des tuyaux à l'aide d'un coupe-tubes à main

6. Serrez la vis d'alimentation progressivement et continuellement jusqu'à ce que le tuyau soit sectionné. Ne forcez pas le galet de coupe dans l'entame.

⚠ AVERTISSEMENT Afin d'éviter les risques de traumatisme, tenez le coupe-tubes fermement et assurez-vous qu'il repose bien sur la barre d'appui. S'il n'est correctement tenu et soutenu, l'outil risque de tourner avec le tuyau ou tomber au sol.

7. Lâchez la pédale de commande et retirez votre pied de l'étrier.

Alésage des tuyaux à l'aide d'un alésoir à main

⚠ AVERTISSEMENT Afin d'éviter les risques de grave blessure corporelle, n'utilisez pas d'alésoirs coniques à avancement automatique avec le système d'entraînement N° 300.

1. Mettez le commutateur directionnel en position FOR (marche avant).
2. Placez l'alésoir en bout du tuyau (se reporter à la section intitulée "Accessoires" pour les alésoirs recommandés).

3. Tenez-vous en position de travail appropriée.
4. Reposez la poignée sur la barre d'appui côté gauche (*Figure 6*) et tenez la poignée de l'alésoir avec la main droite. Evitez de vous pincer en faisant attention de ne pas mettre les doigts entre l'alésoir et la barre d'appui.
5. Tenez la poignée de l'alésoir fermement avec la main gauche, puis appuyez sur la pédale de commande.
6. Poussez l'alésoir fermement dans le tuyau avec votre main droite jusqu'à ce que l'alésage soit terminé. Ecartez votre main et votre bras de tous mécanismes et serrez bien la poignée.
7. Lâchez la pédale de commande et retirez votre pied de l'étrier tout en tenant l'alésoir des deux mains.

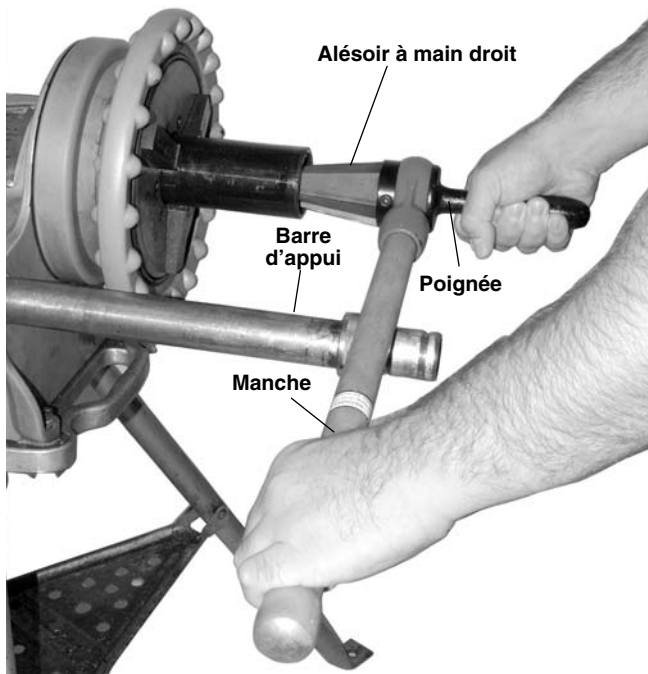


Figure 6 – Alésage des tuyaux à l'aide d'un alésoir à main

8. Une fois le système d'entraînement arrêté, retirez l'alésoir du tuyau.

Filetage des tuyaux à l'aide d'une fileteuse à main

1. Placez la tête de filière de la fileteuse à main sur l'extrémité du tuyau (se reporter à la section "Accessoires" pour les filières recommandées).
2. Positionnez la molette du cliquet de la fileteuse à main de manière à ce que la flèche de la molette pointe vers le haut.
3. Reposez le bras du cliquet de la fileteuse à main sur la barre d'appui côté gauche (en regardant de face le système d'entraînement – *Figure 7*).

⚠ AVERTISSEMENT Evitez de vous pincer en ne laissant pas vos doigts passer entre la fileteuse et la barre d'appui.

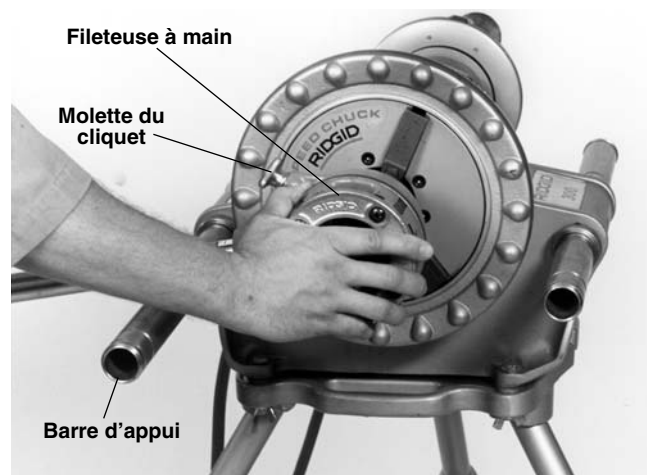


Figure 7 – Enfilage de la fileteuse à main sur le tuyau afin d'engager les filières

4. Appliquez de l'huile de coupe RIDGID Thread Cutting Oil en bout du tuyau.
5. Tenez-vous en position de travail appropriée. Vérifiez que le commutateur directionnel se trouve bien en position FOR (marche avant).
6. Tenez la tête de filière contre le tuyau avec votre main droite.

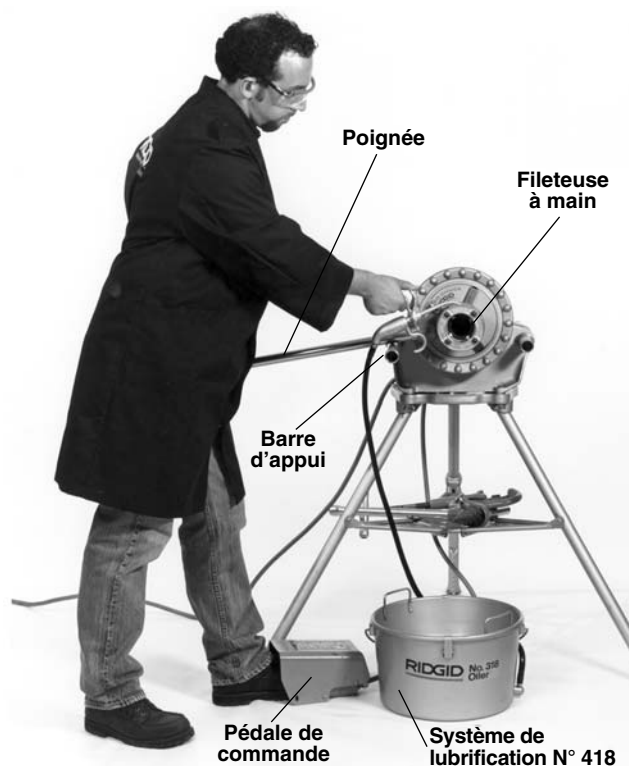


Figure 8 – Filetage à l'aide d'une fileteuse à main

⚠ AVERTISSEMENT Afin d'éviter d'être blessé par le mécanisme, éloignez vos mains et vos doigts de tout sauf l'extérieur de la tête de filière.

7. Appuyez sur la pédale de commande
8. Poussez la tête de filière contre le tuyau avec la paume de votre main droite jusqu'à ce que les filières engagent le tuyau. Une fois engagés, les filières monteront d'elles-mêmes sur le tuyau pour effectuer le filetage (*Figure 7*).
9. Retirez votre main droite de la tête de filière et lubrifiez copieusement le tuyau d'huile pendant l'opération de filetage (*Figure 8*).

⚠ AVERTISSEMENT Afin d'éviter les risques de blessure corporelle grave, écarter votre main du mécanisme durant la lubrification du tuyau.

10. Lâchez la pédale de commande et retirez votre pied de l'étrier dès que le tuyau arrive au bout des filières.
11. Soulevez légèrement la poignée de la fileteuse avec votre main droite tout en repoussant la barre d'appui complètement vers l'arrière de l'appareil.
12. Inversez le cliquet. La flèche sur la molette devrait pointer vers le bas.
13. Descendez la poignée de la fileteuse en dessous du niveau de la barre d'appui gauche.
14. Ramenez la barre d'appui côté gauche à nouveau complètement en avant du système d'entraînement.
15. Levez la poignée de la fileteuse pour l'appuyer contre la barre d'appui côté gauche.
16. Mettez le commutateur directionnel en position REV (marche arrière). Appuyez sur la pédale de commande jusqu'à ce que la fileteuse se dévise complètement du tuyau.

⚠ AVERTISSEMENT Afin d'éviter d'être blessé par la chute des pièces, tenez bien la fileteuse, car elle aura tendance à tomber au sol si elle n'est pas soutenue en fin de dévissage.

17. Lâchez la pédale de commande et retirez votre pied de l'étrier.
18. Posez la fileteuse et, si nécessaire, utilisez un chiffon pour essuyer le filetage afin d'en éliminer les traces d'huile et les débris. Faites attention de ne pas vous couper les mains ou les doigts sur les arrêtes vives ou les copeaux éventuels.
19. Vérifiez la longueur et la profondeur du filetage (*Figure 14*).

Retrait des tuyaux du système d'entraînement

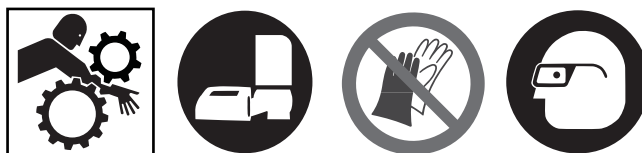
1. Mettez le commutateur directionnel en position OFF (arrêt).
2. Tournez le volant du mandrin rapide qui se trouve à l'avant du système d'entraînement sèchement à droite à plusieurs reprises afin de libérer le tuyau des mors du mandrin rapide.
3. Si nécessaire, desserrez le dispositif de centrage arrière en tournant le volant qui se trouve à l'arrière du système d'entraînement à droite.
4. Retirez le tuyau du système d'entraînement en le soutenant lorsqu'il se dégage du système d'entraînement.

⚠ AVERTISSEMENT Afin d'éviter les blessures dues à la chute du tuyau ou au renversement du matériel lors de la manipulation des tuyaux de grande longueur, assurez-vous que l'extrémité opposée du tuyau est soutenue avant de le retirer.

5. Essuyez toutes coulures ou éclaboussures d'huile éventuelles sur le sol autour du système d'entraînement.

Utilisation des outils du système d'entraînement montés sur chariot

⚠ AVERTISSEMENT



Ne portez pas de gants ou de vêtements amples lors de l'utilisation de ce système d'entraînement. Boutonnez vos manches de chemise et de blouson. Ne vous penchez pas sur l'appareil ou le tuyau.

N'utilisez pas le système d'entraînement si sa pédale de commande est endommagée ou absente. Portez systématiquement une protection oculaire afin de protéger vos yeux contre la projection de débris.

Écartez vos mains du tuyau et des raccords lorsqu'ils tournent. Arrêtez l'appareil avant d'essuyer les filets ou de viser un raccord. Attendez que l'appareil se soit arrêté complètement avant de toucher le tuyau ou les mandrins.

N'utilisez pas cet appareil pour enfiler ou débloquer les raccords. Cela ne fait pas partie des opérations prévues pour le système d'entraînement.

Introduction des tuyaux dans le système d'entraînement

1. Vérifiez que coupe-tubes, l'alésoir et la tête de filière sont tous rabattus vers l'arrière du chariot.
2. S'il s'agit de recouper le tuyau, marquez-le à la longueur voulu.
3. Introduisez le tuyau dans le système d'entraînement de manière à ce que l'extrémité à traiter ou, le cas échéant, le repère de coupe, se trouve à environ 12 pouces en avant des mors du mandrin rapide.
4. Introduisez les tuyaux d'une longueur inférieure à 2 pieds par l'avant de l'appareil. Introduisez les tuyaux plus long par une extrémité ou l'autre, pourvu que la grande longueur du tuyau se trouve à l'arrière du système d'entraînement.

⚠ AVERTISSEMENT Positionnez des porte-tubes sous le tuyau afin d'éviter le renversement du matériel.

5. Serrez le dispositif de centrage arrière autour du tuyau en tournant le volant que se trouve à l'arrière du système d'entraînement à gauche. Cela empêchera le déplacement du tuyau et les filetages de mauvaise qualité qui en résulteraient.
6. Serrez le tuyau en tournant le volant du mandrin rapide qui se trouve à l'avant du système d'entraînement sèchement à gauche à plusieurs reprises. Ce martelage assurera un maximum de serrage des mors autour du tuyau.

Coupe des tuyaux à l'aide du coupe-tubes N° 360

1. Vérifiez que l'alésoir et la tête de filière sont rabattus en position haute (*Figure 9*).
2. Rabattez le coupe-tubes sur le tuyau et servez-vous du levier du chariot pour déplacer le chariot et aligner le galet de coupe sur le repère tracé.
3. Serrez la vis d'alimentation du coupe-tubes tout en gardant le galet de coupe aligné sur le repère.
4. Mettez-vous en position de travail (*Figure 11*).

⚠ AVERTISSEMENT Cela vous permettra de maintenir votre équilibre et de contrôler l'appareil et ses outils en toute sécurité.

- Assurez-vous de pouvoir rapidement retirer votre pied de la pédale de commande.
- Tenez-vous face au commutateur directionnel.
- Assurez-vous de pouvoir accéder facilement au commutateur directionnel, aux outils et aux mandrins.
- Ne vous penchez pas sur l'appareil ou le tuyau.

5. Mettez le commutateur directionnel en position FOR (marche avant).
6. Prenez la poignée de la vis d'alimentation du coupe-tubes des deux mains (*Figure 9*).

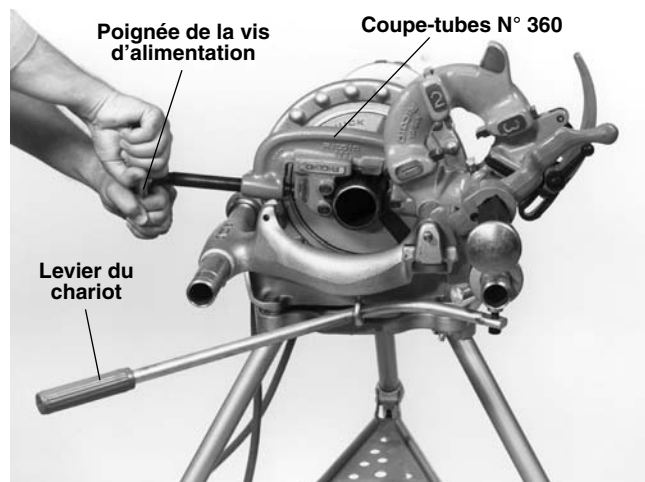


Figure 9 – Coupe des tuyaux à l'aide du coupe-tubes N° 360.

7. Appuyez sur la pédale de commande avec votre pied gauche.
8. Serrez la vis d'alimentation progressivement et continuellement jusqu'à ce que le tuyau soit sectionné. Ne forcez pas le galet de coupe dans l'entame.
9. Lâchez la pédale de commande et retirez votre pied de l'étrier.
10. Rabattez le coupe-tubes en position haute.

Alésage des tuyaux à l'aide de l'alésoir N° 341

1. Ramenez le bras de l'alésoir en position d'alésage (*Figure 10*).
2. Déployez l'alésoir en appuyant sur le loquet et en faisant glisser la molette vers le tuyau jusqu'à ce que le loquet s'engage.
3. Vérifiez que le commutateur directionnel se trouve bien en position FOR (marche avant). Appuyez sur la pédale de commande avec le pied gauche.
4. Introduisez l'alésoir dans le tuyau et procédez à l'opération d'alésage en poussant le levier du chariot avec la main droite.
5. Retirez la barre de l'alésoir et ramenez l'alésoir vers le haut.

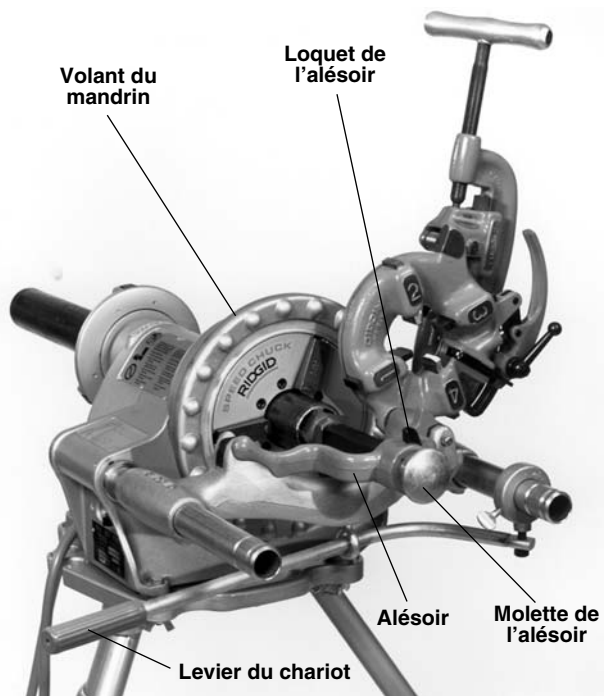


Figure 10 – Alésage des tuyaux à l'aide de l'alésoir N° 341

6. Lâchez la pédale de commande et retirez votre pied de l'étrier.

Filetage des tuyaux à l'aide des fileteuses à ouverture rapide et à ouverture automatique

1. Vérifiez que le coupe-tubes et l'alésoir sont rabattus vers l'arrière du chariot (Figure 11).
2. Rabattez la tête de filière en position de filetage.
3. Assurez-vous que la tête de filière est équipée des filières appropriées. Un jeu de filières spécial est nécessaire pour chacune des sections de tuyau suivantes: ($1/8$ po), ($1/2$ à $3/8$ po), ($1/2$ à $3/4$ po) et (1 à 2 po). Le filetage des tiges nécessite un jeu de filières par section.
4. Réglez la tête de filière à la section appropriée.

NOTA ! Se reporter à la section visant les têtes de filière 811A ou 815A pour le changement et le réglage des filières.

5. Tête de filière à ouverture rapide N° 811A (Figure 12) – Tournez le levier d'embrayage jusqu'à la position CLOSED (fermée).

Tête de filière à ouverture automatique N° 815A (Figure 13) – Poussez le levier d'embrayage vers le bas jusqu'à ce que la gâchette de libération se rabette.

6. Enduisez l'extrémité du tuyau d'huile de coupe RIDGID Thread Cutting Oil.
7. Mettez-vous en position de travail.
8. Vérifiez que le commutateur directionnel se trouve bien en position FOR (marche avant). Appuyez sur la pédale de commande avec le pied gauche.
9. Engagez les filières sur le tuyau à l'aide du levier du chariot et lubrifiez-les avec une quantité abondante d'huile de coupe RIDGID Thread Cutting Oil durant toute l'opération de filetage.

⚠ AVERTISSEMENT Afin d'éviter d'être sérieusement blessé par le mécanisme, laissez suffisamment d'espace entre votre main et les éléments en rotation durant la lubrification.

10. Tête de filière à ouverture rapide N° 811A (Figure 12) – Une fois le filetage terminé, relevez le levier d'embrayage à la position ouverte afin de ramener les filières.

Tête de filière à ouverture automatique N° 815A (Figure 13) – Le levier d'embrayage s'ouvre automatiquement dès que la gâchette de la tête de filière entre en contact avec l'extrémité du tuyau.

11. Lâchez la pédale de commande et retirez votre pied de l'étrier.
12. Eloignez le levier du chariot de l'extrémité du tuyau et ramenez la tête de filière vers le haut.

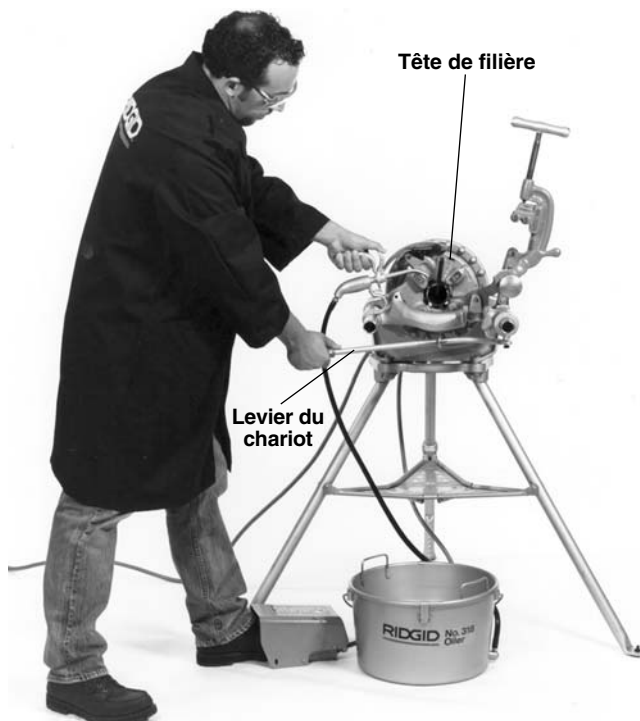


Figure 11 – Filetage des tuyaux à l'aide des fileteuses à ouverture rapide ou automatique.

- Vérifiez la longueur et la profondeur du filetage (Figure 14).

Retrait des tuyaux

- Mettez le commutateur directionnel en position OFF (arrêt).
- Tournez le volant du mandrin rapide qui se trouve à l'avant du système d'entraînement sèchement à droite à plusieurs reprises afin de libérer le tuyau des mors du mandrin rapide.
- Si nécessaire, desserrez le dispositif de centrage arrière en tournant le volant qui se trouve à l'arrière du système d'entraînement à droite.
- Retirez le tuyau du système d'entraînement en le soutenant lorsqu'il se dégage du système d'entraînement.

⚠ AVERTISSEMENT Afin d'éviter les blessures dues à la chute du tuyau ou au renversement du matériel lors de la manipulation des tuyaux de grande longueur, assurez-vous que l'extrémité opposée du tuyau est soutenue avant de le retirer.

- Essuyez toutes coulures ou éclaboussures d'huile éventuelles sur le sol autour du système d'entraînement.

Montage des filières sur la tête de filière à ouverture rapide N° 811A (filetages à droite et à gauche)

NOTA ! La tête de filière universelle N° 811A (Figure 12) pour filetage à droite nécessite quatre jeux de filières pour le filetage des tuyaux de $\frac{1}{8}$ à 2 po de diamètre. Un jeu de filières spécial est nécessaire pour chacune des sections suivantes: ($\frac{1}{8}$ po), ($\frac{1}{4}$ à $\frac{3}{8}$ po), ($\frac{1}{2}$ à $\frac{3}{4}$) et (1 à 2 po). Il n'existe pas de filières de $\frac{1}{8}$ po pour pas à gauche. Le filetage des tiges nécessite un jeu de filières spécial pour chaque section de tige. Il n'existe pas de filières à tige filetée pour les têtes de filière à pas à gauche.

- Débranchez l'appareil et retirez la tête de filière. Couchez la tête de filière sur un établi avec ses chiffres vers le haut.
- Mettez le levier d'embrayage en position OPEN (ouverte).
- Desserrez le levier de serrage d'environ trois tours.
- Soulevez la languette de la rondelle du levier de serrage pour la retirer du rail de la barre graduée. Amenez le levier d'embrayage jusqu'au bout du rail en direction de l'indication OVER de la barre graduée (en direction de la flèche CHANGE DIES à l'arrière de la plaque à came).

- Retirez les filières de la tête de filière.
- Enfoncez les nouvelles filières jusqu'au repère latéral. Les chiffres (1 à 4) des filières doivent correspondre à ceux de la tête de filière.
- Ramenez le levier d'embrayage jusqu'à ce que la languette de la rondelle du levier de serrage retombe dans son rail sous la barre graduée.
- Réglez la barre graduée de la tête de filière pour amener le repère de la vis de blocage ou du bras de liaison face à la dimension voulue de la barre graduée. Pour le filetages des tiges, alignez le repère sur le repère BOLT (boulon) de la barre graduée.
- Serrez le levier de serrage.
- Pour effectuer un filetage surdimensionné ou sous-dimensionné, alignez le repère sur le repère approprié de la barre graduée en direction OVER (surdimensionné) ou UNDER (sousdimensionné).
- Réinstallez la tête de filière sur l'appareil.

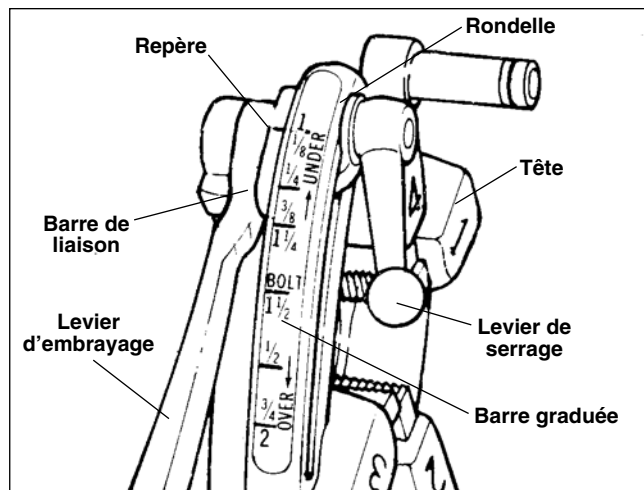


Figure 12 – Tête de filière universelle à ouverture rapide

Montage des filières dans la tête de filière à ouverture automatique N° 815A (Pas à droite uniquement)

NOTA ! La tête de filière universelle à ouverture automatique N° 815A (Figure 12) pour filetage à droite nécessite quatre jeux de filières pour le filetage des tuyaux de $\frac{1}{8}$ à 2 po de diamètre. Un jeu de filières spécial est nécessaire pour chacune des sections suivantes: ($\frac{1}{8}$ po), ($\frac{1}{4}$ à $\frac{3}{8}$ po), ($\frac{1}{2}$ à $\frac{3}{4}$ po) et (1 à 2 po). Le filetage des tiges nécessite un jeu de filières spécial pour chaque section de tige.

- Débranchez l'appareil et retirez la tête de filière.

Posez la tête de filière à ouverture automatique debout sur un établi.

2. Assurez-vous que la gâchette est désarmée.
3. Desserrez le levier de serrage d'environ six tours.
4. Retirez la vis de blocage du rail sous la barre graduée de façon à permettre à la goupille cylindrique de la vis de blocage de passer le rail. Positionnez la barre graduée pour que le repère de la vis de blocage se trouve à l'extrémité REMOVE DIES.
5. Couchez la tête avec ses chiffres vers le haut.
6. Enlevez les filières usées de la tête de filière.
7. Enfoncez les nouvelles filières jusqu'à leur repère latéral. Les chiffres (1 à 4) des filières doivent correspondre à ceux de la tête de filière.
8. Ramenez le levier de la plaque à cames en arrière pour verrouiller les filières dans la tête.
9. Remettez la tête debout, puis tournez la plaque à cames jusqu'à ce que la goupille cylindrique de la vis de blocage puisse être positionnée dans le rail sous la barre graduée. Dans cette position, les filières seront verrouillées dans la tête de filière. Vérifiez que la goupille cylindrique est bien orientée vers l'extrémité REMOVE DIES de la barre graduée.
10. Réglez la barre graduée de la tête de filière pour amener le repère de la vis de blocage ou du bras de liaison face à la dimension voulue de la barre graduée. Pour le filetage des tiges, alignez le repère sur le repère BOLT (boulon) de la barre graduée.
11. Serrez le levier de serrage.
12. Pour effectuer un filetage surdimensionné ou sous-dimensionné, alignez le repère sur le repère approprié de la barre graduée en direction OVER (surdimensionné) ou UNDER (sousdimensionné).
13. Réinstallez la tête de filière sur l'appareil.

Vérification de longueur des filetages

1. La longueur des filetages sera correcte lorsque l'extrémité du tuyau arrive à fleur de l'arrête des filières (Figure 14A).
2. La tête de filière peut être réglée de manière à obtenir le diamètre de filets nécessaire. Si possible, contrôler les filets à l'aide d'une jauge à filets (Figure 14B). Le filetage est correct lorsque l'extrémité du tuyau se trouve à plus ou moins un tour d'être à fleur de la surface de la jauge à filets.

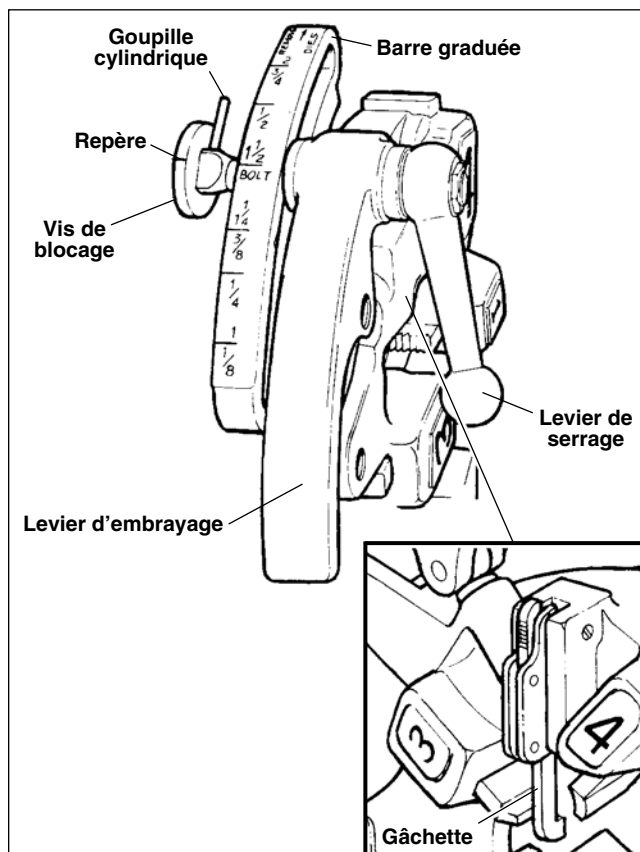


Figure 13 – Tête de filière à ouverture automatique N° 815A

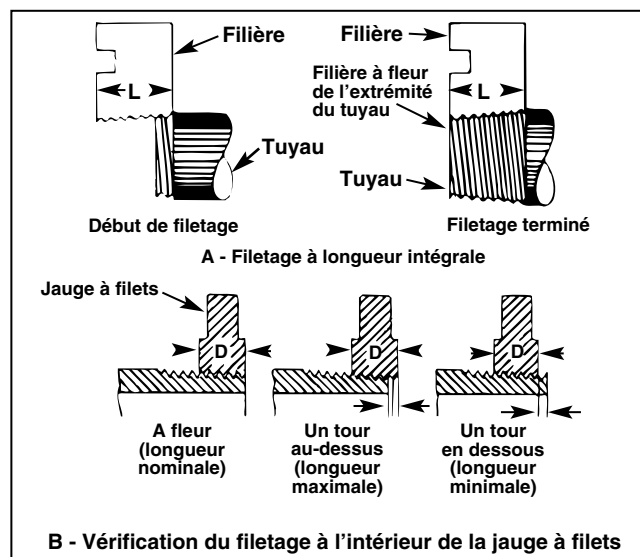


Figure 14 – Vérification de la longueur

NOTA ! A défaut d'une jauge à filets, un raccord peut être utilisé. Ce raccord doit être représentatif de ceux utilisés sur le chantier. Le filetage du tuyau doit permettre au raccord d'être serré à la main sur deux ou trois tours complets. Si le diamètre du filetage est incorrect, déplacez le repère en direction OVER ou UNDER de la barre graduée. (Se reporter à la section intitulée "Installation des filières dans les têtes de filière").

Accessoires

⚠ AVERTISSEMENT

Seuls les produits RIDGID suivants ont été conçus pour fonctionner avec le système d'entraînement N° 300. L'utilisation d'accessoires prévus pour d'autres types d'appareil peut être dangereuse lorsqu'utilisés sur ce système d'entraînement. Afin d'éviter les risques de grave blessure corporelle, servez-vous exclusivement des accessoires indiqués ci-dessous.

Accessoires pour système d'entraînement

Référence	Désignation
1206	Support de système d'entraînement N° 300
32	Transporteur pour système d'entraînement et étaux à trépied
819	Mandrin à raccords complet, 12 à 50 mm (1/2 à 2 po)
1452	Plateau à outils emboîtable
-	Inserts de mors pour tuyaux revêtus
E-863	Cône d'alésage pas à droite/pas à gauche
-	Graisse à engrenages

Outils à main recommandés pour le système d'entraînement

Fileteuses:

- Fileteuse pour tuyaux type 12-R
- Fileteuse pour tuyaux type OO-R
- Fileteuse pour tuyaux type 11-R
- Fileteuse à boulons type OO-RB

Coupe-tubes:

- Coupe-tubes N° 1A et N° 2A
- Coupe-tubes N° 202

Alésoirs:

- Alésoirs à cliquet N° 2 et N° 3

Consultez votre distributeur RIDGID ou le catalogue Ridge Tool pour les spécifications et références correspondantes.

Chariot N° 311A et outils en tant qu'accessoires

Modèle	Désignation
311	Chariot avec levier N° 312
341	Alésoir pour chariot N° 311
360	Coupe-tubes pour chariot N° 311
811A	Tête de filière universelle à O/R, pas à droite uniquement
815A	Tête de filière à ouverture automatique, pas à droite uniquement

Fileteuses démultipliées:

- N° 141: pour tuyaux NPT ou BSPT de 2 1/2 à 4 po
- N° 161: pour tuyaux NPT ou BSPT de 4 à 6 po

Accessoires de filetage utilisant la méthode de couplage direct

Modèle	Désignation	Filières démultipliées	
		141	161
	Porte-tubes		
758	Boucle	X	
844	Barre d'entraînement	X	X
346	Bras de soutien (2)		X
NOTA!	Si le boîtier d'engrenages n'a pas d'oeillet, servez-vous de l'adaptateur N° 3875 au lieu de la boucle N° 758.		

Accessoires de filetage utilisant l'arbre d'entraînement

Réf. Catalogue	Modèle	Désignation
61122	840-A	Arbre d'entraînement universel
72037	460	Trépied
42510	92	Porte-tubes réglable

NOTA ! Consultez le catalogue Ridge Tool pour les porte-tubes, huiles de coupe, têtes de filières et filières disponibles.

Entretien

⚠ AVERTISSEMENT

Assurez-vous que l'appareil est débranché avant tout entretien ou réglage.

Mors

1. Nettoyez les dents des mors quotidiennement à l'aide d'une brosse métallique.
2. Remplacez les mors lorsque leurs dents sont usées et qu'elles ne tiennent plus les tuyaux ou les tiges.

NOTA ! Remplacez le jeu entier de mors afin d'assurer la bonne tenue des tuyaux ou des tiges.

Remplacement des mors

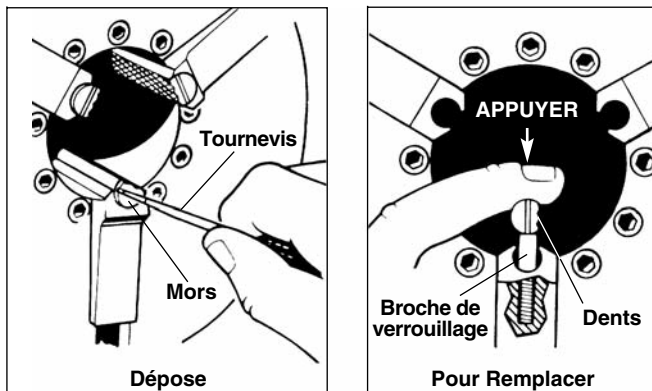


Figure 15 – Remplacement des mors

1. Mettez le tournevis dans la fente du mors et tournez un quart de tour d'un côté ou de l'autre.
2. Mettez le mors transversalement sur la broche de verrouillage et appuyez vers le bas aussi loin que possible.
3. Tenez le mors fermement en position basse avec le tournevis, puis tournez-le jusqu'à ce que ses dents soient orientées vers le haut.

Lubrification

Une bonne lubrification est essentielle au bon fonctionnement et à la longévité du système d'entraînement.

Graissez les paliers de l'arbre à intervalles de 2 à 6 mois selon l'intensité d'utilisation du système d'entraînement. Des graisseurs sont prévus sur le côté de l'embase, un à chaque extrémité de l'arbre. Servez-vous d'une graisse consistante de bonne qualité.

Remplacement des balais du moteur

1. Vérifiez les balais du moteur tous les six (6) mois et remplacez-les dès qu'ils sont usés à moins de 1/2 pouce d'épaisseur.
2. Si le contacteur est usé, il sera nécessaire de l'usiner et de retailler le mica avant de remplacer les balais. Ces opérations doivent être confiées à un réparateur qualifié.

Remplacement du moteur

1. Débranchez la prise du moteur du boîtier de dérivation.
2. Enlevez les deux (2) vis (E-891) de fixation du moteur.
3. Desserrez la vis arrière (E-4548) du bâti qui se trouve au droit du cou du moteur, puis retirez le moteur.

Rangement de l'appareil

⚠ AVERTISSEMENT Tout matériel électrique doit être rangé à l'intérieur ou suffisamment bien protégé en cas de pluie. Rangez l'appareil dans un local fermé à clé qui soit hors de la portée des enfants et des individus inexpérimentés avec le fonctionnement des systèmes d'entraînement. Cet appareil peut être dangereux entre les mains d'un utilisateur inexpérimenté.

Entretien et réparations

⚠ AVERTISSEMENT



L'entretien et la réparation de ce système d'entraînement doivent être confiés à un réparateur qualifié. Le système d'entraînement devrait être confié à un réparateur RIDGID agréé ou renvoyé à l'usine. Toutes réparations effectuées par les services techniques Ridge sont garanties contre les vices de matériaux et de main d'oeuvre.

Lors de l'entretien ou de la réparation du système d'entraînement, utilisez exclusivement des pièces de rechange identiques aux pièces d'origine. Des risques de choc électrique et de grave blessure corporelle peuvent résulter du non respect de cette consigne.

En cas de questions concernant l'entretien ou la réparation de cet appareil veuillez appeler ou écrire selon les coordonnées suivantes:

Ridge Tool Company
 Technical Service Department
 400 Clark Street
 Elyria, Ohio 44035-6001
 Tél: (800) 519-3456
 E-Mail: rttechservices@emerson.com

Pour obtenir les coordonnées du réparateur agréé le plus proche, veuillez consulter la Ridge Tool Company au (800) 519-3456 ou <http://www.RIDGID.com>

Diagramme électrique (115/230V)

1. Les conducteurs des balais et des armatures peuvent être soit d'une seule couleur ou bien blancs avec un trait coloré.
2. Les couleurs des fils entre parenthèse correspondent aux couleurs du code européen. Outre la fiche, les fils européens sont les mêmes.

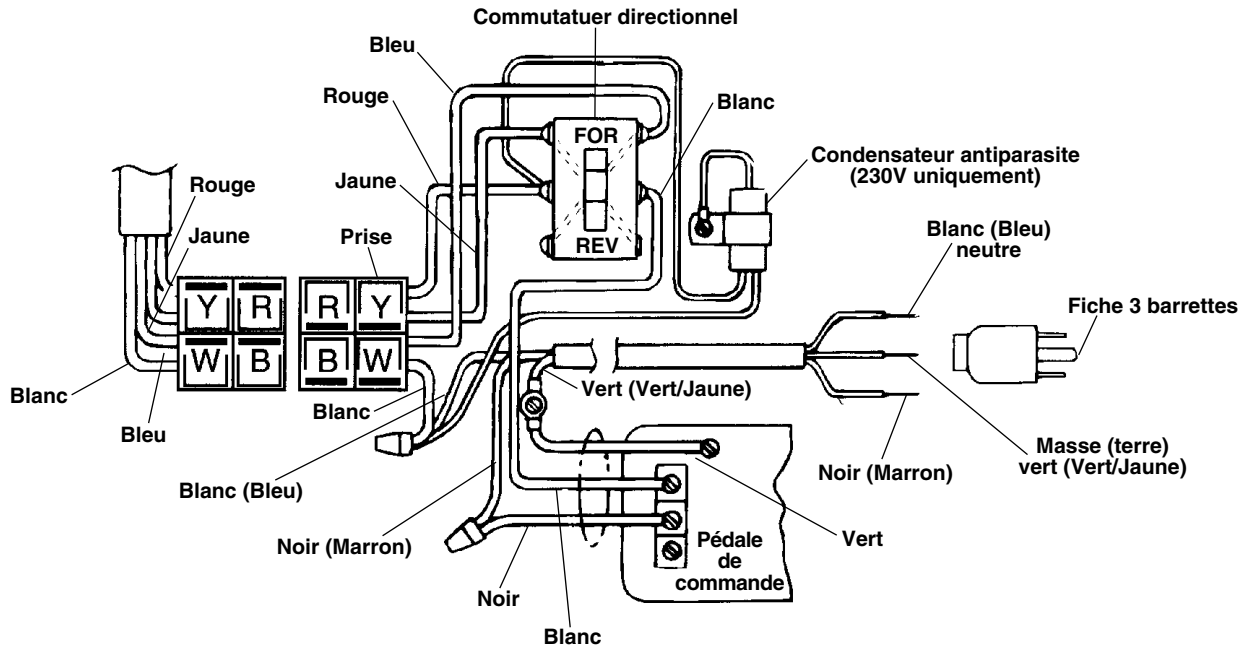
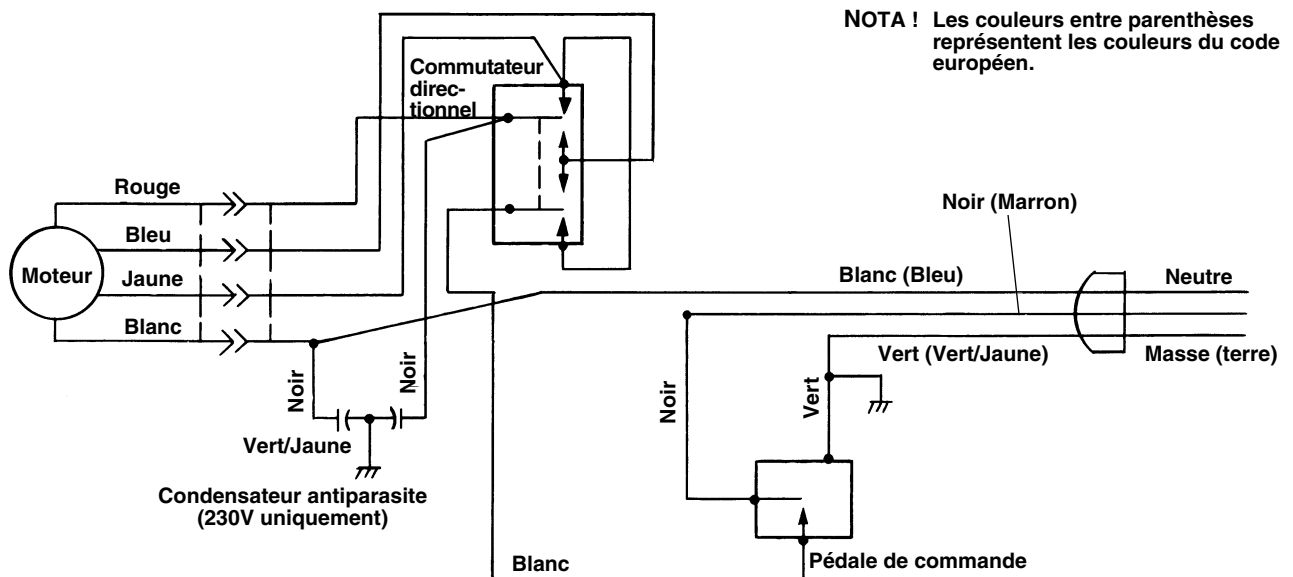
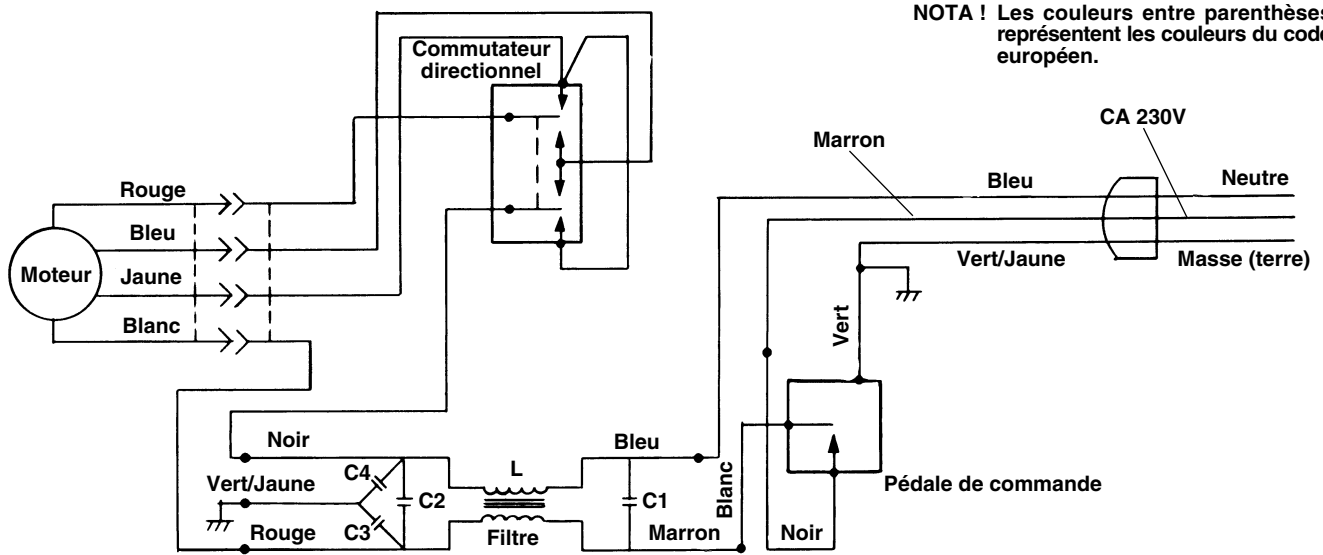


Schéma électrique (115/230V)



NOTA ! Les couleurs entre parenthèses représentent les couleurs du code européen.

Schéma électrique (230V) avec filtre en ligne



Accionamiento Autopropulsado No. 300



Modelo No. **300 Completo**, en la foto, incluye soporte, carro de roscado, bandeja de herramientas y aceitera.

RIDGID[®]

Accionamiento Autopropulsado No. 300

A continuación apunte y retenga el número de serie del producto que se encuentra en la placa de características.

No. de
Serie

--	--

Indice

Formulario para apuntar el Modelo de la máquina y su Número de Serie	39
Información general de seguridad	
Seguridad en la zona de trabajo	41
Seguridad eléctrica	41
Seguridad personal	42
Uso y cuidado de la herramienta	42
Servicio	42
Información específica de seguridad	
Seguridad del interruptor de pie	43
Seguridad de la máquina	43
Descripción, especificaciones y equipo estándar	
Descripción	43
Especificaciones	44
Equipo estándar	44
Montaje de la máquina	
Montaje sobre un soporte No. 1206	45
Montaje del carro No. 311A y de las herramientas	45
Inspección de la máquina	46
Preparación de la máquina y de la zona de trabajo	47
Instrucciones de funcionamiento al usarse herramientas manuales	
Instalación del tubo en el Accionamiento Autopropulsado	48
Corte de tubos con una cortadora manual	48
Escariado de tubos con una escariadora manual	49
Roscado de tubos con una roscadora manual	49
Cómo sacar el tubo del Accionamiento Autopropulsado	51
Instrucciones de funcionamiento al usarse herramientas motopropulsados montadas en un carro	
Instalación del tubo en el Accionamiento Autopropulsado	51
Corte de tubos con la Cortadora No. 360	51
Escariado de tubos con la Escariadora No. 341	52
Roscado de tubos con cabezales de terrajas de Apertura Rápida o de Autoapertura	52
Cómo sacar el tubo del Accionamiento Autopropulsado	53
Instalación de terrajas en el Cabezal de Terrajas de Apertura Rápida (mano izq. y der.)	54
Instalación de terrajas en el Cabezal de Terraja de Autoapertura (sólo a mano derecha)	54
Verificación de la longitud de la rosca	55
Accesorios	56
Instrucciones para el mantenimiento	
Piezas de inserción para la mordaza	56
Recambio de las piezas de inserción para la mordaza	57
Lubricación	57
Recambio de las escobillas del motor	57
Recambio del motor	57
Almacenamiento de la máquina	57
Servicio y reparaciones	57
Diagrama del cableado	58
Esquema del cableado	58
Garantía vitalicia	carátula posterior

Información de seguridad general

⚠ ADVERTENCIA

Lea todas las instrucciones y advertencias de seguridad. Si no se siguen y respetan las advertencias e instrucciones, podrían producirse descargas eléctricas, incendios y/o lesiones graves.

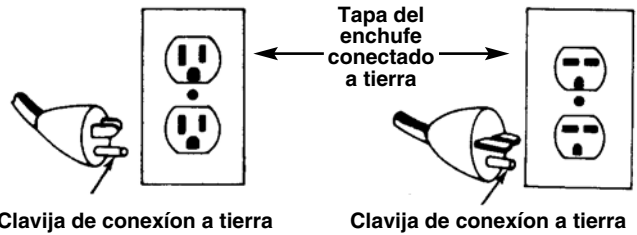
¡GUARDE ESTAS INSTRUCCIONES!

Seguridad en la zona de trabajo

- Mantenga su área de trabajo limpia y bien iluminada. Los bancos de trabajo desordenados y las zonas oscuras invitan a que se produzcan accidentes.
- No haga funcionar herramientas a motor en atmósferas explosivas, es decir, en presencia de líquidos, gases o polvos inflamables. Estas herramientas generan chispas que pueden encender el polvo o los gases.
- Al hacer funcionar una herramienta, mantenga apartados a los espectadores, niños y visitantes. Las distracciones pueden causar que pierda el control.
- Mantenga el piso seco y libre de materiales resbaladizos como el aceite. Los suelos resbalosos provocan accidentes.
- Vigile y rodee la zona de trabajo con barreras cuando la pieza de trabajo se extienda más allá de la máquina. Una barricada que deje un mínimo de tres (3) pies de espacio alrededor de la pieza de trabajo reducirá el riesgo de enganches.

Seguridad eléctrica

- Las herramientas provistas de una conexión a tierra deben ser enchufadas a una salida de corriente debidamente instalada y conectada a tierra de acuerdo con todos los códigos y reglamentos. Jamás extraiga del enchufe la tercera clavija que conduce a tierra ni lo modifique de manera alguna. No use ningún tipo de enchufes adaptadores. En casa de estar en duda referente a la conexión a tierra del enchufe, consulte con un electricista calificado. En el caso de que la herramienta sufra una avería eléctrica o de otro tipo, la conexión tierra proporcione una vía de baja resistencia para conducir la electricidad lejos del usuario.



- Evite el contacto de su cuerpo con superficies conectadas a tierra. Si su cuerpo queda conectado a tierra, aumenta el riesgo de sufrir un choque eléctrico.
- No exponga las herramientas eléctricas a la lluvia o a condiciones mojadas. Si agua penetra en una herramienta a motor, aumenta el riesgo de que se produzca un golpe eléctrico.
- No abuse del cordón. Nunca use el cordón para sacar el enchufe del tomacorriente. Mantenga el cordón lejos de fuentes de calor, aceite, bordes cortantes o piezas móviles. Recambie los cordones dañados de inmediato. Los cordones en mal estado aumentan los riesgos de que se produzca un choque eléctrico.
- Al hacer funcionar una herramienta a motor a la intemperie, emplee un cordón de extensión fabricado para uso exterior y rotulado "W-A" o "W". Estos cordones han sido diseñados para su empleo al aire libre y reducen el riesgo de que se produzca un choque eléctrico.
- Use solamente un cordón de extensión de tres alambres equipado con un enchufe de tres clavijas para conexión a tierra, y tomacorrientes de tres polos que acojan a las tres clavijas del enchufe de la herramienta. Otras cordones extensores no conectarán la herramienta a tierra y aumentarán el riesgo de que se produzca un choque eléctrico.
- Use cordones de extensión apropiados (Vea la tabla.) Una dimensión insuficiente del conductor causará una caída excesiva del voltaje y una pérdida de potencia.

Dimensión mínima de alambre para cordones de extensión			
Amperios en la placa de características	Largo total (en pies)		
	0 – 25	26 – 50	51 – 100
0 – 6	18 AWG	16 AWG	16 AWG
6 – 10	18 AWG	16 AWG	14 AWG
10 – 12	16 AWG	16 AWG	14 AWG
12 – 16	14 AWG	12 AWG	No se recomienda

- **Mantenga todas las conexiones eléctricas secas y leventadas de suelo. No toque los enchufes o la herramienta con las manos mojadas.** De esta manera se reducen los riesgos de un choque eléctrico.

Seguridad personal

- **Manténgase alerta, preste atención a lo que está haciendo y use sentido común cuando trabaje con una herramienta a motor. No la use si está cansado o se encuentra bajo la influencia de drogas, alcohol o medicamentos.** Sólo un breve descuido mientras hace funcionar una herramienta a motor puede resultar en lesiones personales graves.
- **Vístase adecuadamente. No lleve ropa suelta ni joyas. Amarre una cabellera larga. Mantenga su cabello, ropa y guantes apartados de las piezas en movimiento.** La ropa suelta, las joyas o el pelo largo pueden engancharse en la piezas móviles.
- **Evite echar a andar la herramienta sin querer. Antes de enchufarla, asegure que el interruptor se encuentre en la posición OFF (apagado).** Transportar la herramienta con el dedo en el interruptor o enchufar herramientas que tienen el interruptor en la posición de encendido constituye una invitación a que se produzcan accidentes.
- **Antes de colocar el interruptor en la posición de ON (encendido) extraiga todas las llaves de ajuste.** Una llave mecánica o una llave que se ha dejado acoplada a una pieza giratoria de la herramienta puede ocasionar lesiones personales.
- **No trate de sobreextender su cuerpo. Mantenga sus pies firmes en tierra y un buen equilibrio en todo momento.** Al mantener el equilibrio y los pies firmes, ejercerá mejor control sobre la herramienta en situaciones inesperadas.
- **Use equipo de seguridad. Siempre lleve protección para la vista.** Cuando las condiciones lo requieran, debe usar mascarilla para el polvo, calzado de seguridad antideslizante, casco duro o protección para los oídos.

Uso y cuidado de la herramienta

- **Si el interruptor de ENCENDIDO/APAGAGO no funciona, no use la herramienta.** Cualquier herramienta que no pueda ser controlada mediante el interruptor es peligrosa y debe ser reparada.
- **Antes de efectuar trabajos de regulación, de cambiar accesorios o de almacenar la herramienta, desconecte el enchufe de la fuente de corriente**

eléctrica. Este tipo de seguridad preventiva reduce el riesgo de poner la herramienta en marcha involuntariamente.

- **Almacene las herramientas que no estén en uso fuera del alcance de los niños y de otras personas sin entrenamiento.** Las herramientas son peligrosas en las manos de usuarios no capacitados.
- **Verifique si las peiza móviles están desalineadas o agarrotadas, si hay piezas quebradas y si existe cualquiera otra condición que pueda afectar el funcionamiento de la herramienta. En el caso de estar dañada, antes de usar la herramienta, hágala componer.** Numerosos accidentes son causados por herramientas que no han recibido un mantenimiento adecuado.
- **Solamente use accesorios recomendados para su modelo.** Los accesorios que son los adecuados para una herramienta pueden ser peligrosos acoplados a otra herramienta.
- **Mantenga los mangos limpios y secos, libres de aceite y grasa.** Esto permite un mejor control de la herramienta.

Servicio

- **Los trabajos de servicio a la herramienta sólo deben ser efectuados por personal de reparación calificado.** El servicio o mantenimiento practicado por personal no calificado para efectuar reparaciones puede resultar en lesiones.
- **Cuande le haga mantenimiento a una herramienta, debe usar únicamente repuestos o piezas de recambio idénticas. Siga las instrucciones en la Sección de Mantenimiento de este manual.** Pueden producirse choques eléctricos o lesiones personales si no se emplean piezas y partes autorizadas o si no se siguen las instrucciones de mantenimiento.

Información específica de seguridad

⚠ ADVERTENCIA

Lea este Manual del Operador cuidadosamente antes de usar el Accionamiento Autopropulsado No. 300. Pueden producirse choques eléctricos, incendios y/o graves lesiones personales si no se comprenden y respetan todas las instrucciones de este manual.

Si tiene cualquier pregunta, llame al Departamento de Servicio Técnico de Ridge Tool Company al (800) 519-3456.

⚠️ ADVERTENCIA Seguridad del Interruptor de Pie

El uso de un accionamiento autopropulsado o moto-propulsor sin un interruptor de pie aumenta el riesgo de que se produzca una lesión personal grave. El interruptor de pie le permite controlar la herramienta porque con sólo quitar el pie se apaga el motor. Si la ropa se le llegara a enganchar en la máquina, continuará enrollándose tirándolo a usted hacia la máquina. Debido a que la máquina dispone de un elevado par de torsión, la ropa misma puede envolverse alrededor del brazo u otras partes del cuerpo con suficiente fuerza como para triturarle o quebrarle los huesos.

Seguridad de la máquina

- Este Accionamiento o Moto-propulsor ha sido diseñado para roscar y cortar tubos o pernos y para propulsar equipos de ranurado a rodillos RIDGID. Siga las instrucciones para usar este equipo correctamente. No lo emplee para otros propósitos tales como la perforación de agujeros o para girar un torno o malacate. Usar este Moto-propulsor para otras tareas o hacerle modificaciones para someterlo a otros usos, aumenta el riesgo de que se produzcan lesiones graves.
- Asegure la máquina a un banco o a un soporte. Apoye los tubos largos y pesados con soportes para tubos. Esto evitará que la máquina se vuelque.
- No lleve guantes ni ropa suelta cuando haga funcionar la máquina. Mantenga sus mangas y chaquetas abotonadas. No extienda su cuerpo sobre la máquina ni el tubo. La ropa se puede enganchar en el tubo o la máquina y cuasar graves lesiones personales.
- Haga funcionar la máquina desde el lado en que se encuentra el interruptor de REV/OFF/FOR (reversa/apagada/adelante). Esto elimina la necesidad de extender su cuerpo sobre la máquina.
- No use la máquina si le falta el interruptor de pie o está averiado. El interruptor de pie es un dispositivo de seguridad diseñado para evitar lesiones graves.
- Mantenga sus manos apartadas de los tubos y fittings que giran. Detenga la máquina antes de limpiar las roscas de un tubo o de atornillar un acoplamiento o fitting. Permita que la máquina se detenga por completo antes de tocar el tubo o los portaherramientas o mandriles de la máquina. Estas prácticas evitarán los enganches y que Ud. se lesione de gravedad.

- No emplee esta máquina para fabricar o quebrar acoplamientos o fittings. Esta máquina no fue fabricada para efectuar dichas tareas; puede sufrir lesiones graves si lo hace.
- Antes de poner en marcha la máquina, apriete el volante del mandril y enganche el dispositivo de centrada trasero en el tubo. Esto evita que el tubo oscile.
- Mantenga las cubiertas de la máquina en su lugar. No haga funcionar la máquina sin sus cubiertas protectoras. Las piezas movibles expuestas pueden engancharse y ocasionar lesiones graves.
- Cuando no se use la máquina, póngale pestillo al interruptor de pie (Figura 1). Esto evita la puesta en marcha involuntaria de la máquina.

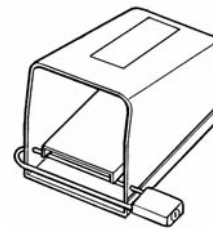


Figura 1 – Interruptor de Pie con pestillo

Descripción, especificaciones y equipo estándar

Descripción

El Accionamiento Autopropulsado No. 300 de RIDGID es una máquina accionada por un motor eléctrico, que centra y sujeta en el mandril un tubo, conducto o varilla (de pernos o tornillos), haciéndolo girar mientras lo corta, lo escaria o lo rosca. Con el interruptor de FOR/OFF/REV (adelante/apagado/reversa) puede seleccionarse un giro a la derecha o a la izquierda. Un interruptor de pie controla el arranque o detención de la máquina.

Las operaciones de roscado, corte y escariado pueden ser hechas por herramientas manuales convencionales o por herramientas diseñadas para montarse en el Accionamiento Autopropulsado. Hay disponible un sistema de lubricación manual que moja la pieza de trabajo con aceite para cortar roscas durante las tareas de roscado. También pueden emplearse Roscadoras a Engranajes con el Accionamiento Autopropulsado para roscar tubos de mayor diámetro.

Asimismo, el Accionamiento Autopropulsado No. 300 de RIDGID puede emplearse como fuente impulsora de un equipo de ranurado a rodillos. Montado sobre los brazos de apoyo del Accionamiento Autopropulsado, el equipo

de ranurado a rodillos labra ranuras estándar en tubos de una variedad de tamaños y materiales.

¡NOTA! Contacte a un distribuidor RIDGID o consulte el catálogo RIDGID para obtener las especificaciones referentes a los equipos de roscado a rodillos.

Especificaciones

- Capacidad de roscadotubos de 1/8 a 2 pulgadas
pernos de 1/4 a 2 pulgadas
- Rosadoras a engranajes:
tubos de 2 1/2 hasta 6 pulgadas
- Mandril.....de agarre rápido con piezas de inserción recambiables para la mordaza
- Dispositivo de centrado traserode accionamiento a levas, gira con el mandril
- Velocidad de funcionamiento38 rpm ó 57 rpm
- Motor:
 - Tipouniversal
 - Fuerza.....1/2 HP
 - Voltaje120V CA monofásica, 25-60 Hz (230V disponible a pedido)
 - Amperaje.....15 Amps (36 rpm)
18 Amps (57 rpm)
- Controlesinterruptor de FOR/OFF/REV (adelante/apagado/reversa) e interruptor de pie ON/OFF (encendido/apagado)
- Peso77 libras

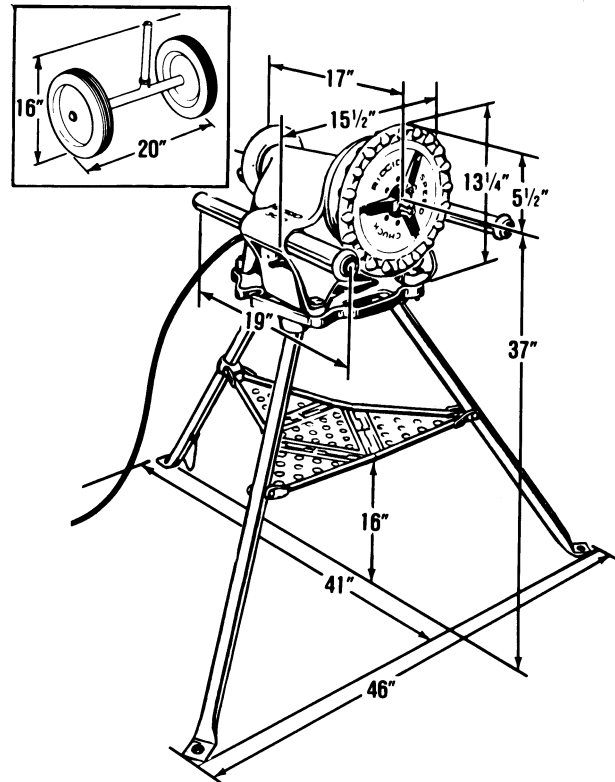


Figura 2 – Accionamiento Autopropulsado No. 300 y Soporte No. 1206

Equipo estándar

Accionamiento Autopropulsado solamente:

- Accionamiento Autopropulsado No. 300

Accionamiento Autopropulsado completo:

- Accionamiento Autopropulsado No. 300
- Soporte No. 1206
- Carro No. 311 con palanca
- Escariadora No. 341
- Cortadora No. 360
- Cabezal de terrajas universal No. 811A
- Juego de Terrajas de Aleación Universales de 1/2 a 3/4 pulgada
- Juego de Terrajas de Aleación Universales de 1 a 2 pulgadas
- 1 lata de 4 onzas de sellador blanco con PTFE
- Aceitera No. 418
- 1 galón de Aceite para Roscar Nu-Clear
- Transportador No. 32

No. en catálogo	Modelo No.	Descripción	Velocidad del eje RPM	Peso	
				Lb.	Kg.
41855	No. 300 solamente	115V,25-60 Hz	38	94	43,0
75075	No. 300 solamente	115V,25-60 Hz	57	94	43,0
41860	No. 300 solamente	230V,25-60 Hz	38	94	43,0
75435	No. 300 solamente	230V,25-60 Hz	38	94	43,0
15682	No. 300 Completa	115V,25-60 Hz 1/2 – 2 pulg. NPT	38	212	96,2
15722	No. 300 Completa	115V,25-60 Hz 1/2 – 2 pulg. NPT	57	212	96,2

Montaje de la máquina

⚠ ADVERTENCIA



Se requiere montar el Accionamiento Autopropulsado correctamente para evitar lesiones de gravedad. Si no se monta el Accionamiento Autopropulsado sobre un banco o un soporte estable, el equipo puede volcarse y causar lesiones graves. Deben seguirse los siguientes procedimientos:

Montaje de la máquina en un soporte No. 1206

1. Arme el Soporte No. 1206 abriendo sus patas y empuje la bandeja hacia abajo. Las patas deben quedar rígidas y el soporte sin bambolear.

¡NOTA! La rigidez de la patas del trípode puede aumentarse o disminuirse de la siguiente manera:

- Coloque el soporte patas arriba sobre una superficie plana.
- Desenganche la bandeja para soltar las patas.
- Ubique el tornillo de fijación en el apoyo de la bandeja en la pata trasera (Figura 3).
- Afoje el tornillo de fijación para efectuar el ajuste. Para aumentar la rigidez, deslice el apoyo de la bandeja en la pata trasera hacia el asiento del trípode. Para disminuir la rigidez, deslice el apoyo de la bandeja en la pata trasera hacia el pie de la pata.
- Apriete el tornillo de fijación (al incrementarse la rigidez de las patas, se aumenta la tensión de la bandeja).

2. Monte el Accionamiento Autopropulsado en el soporte empleando los pernos y las tuercas de mariposa (Figura 3).

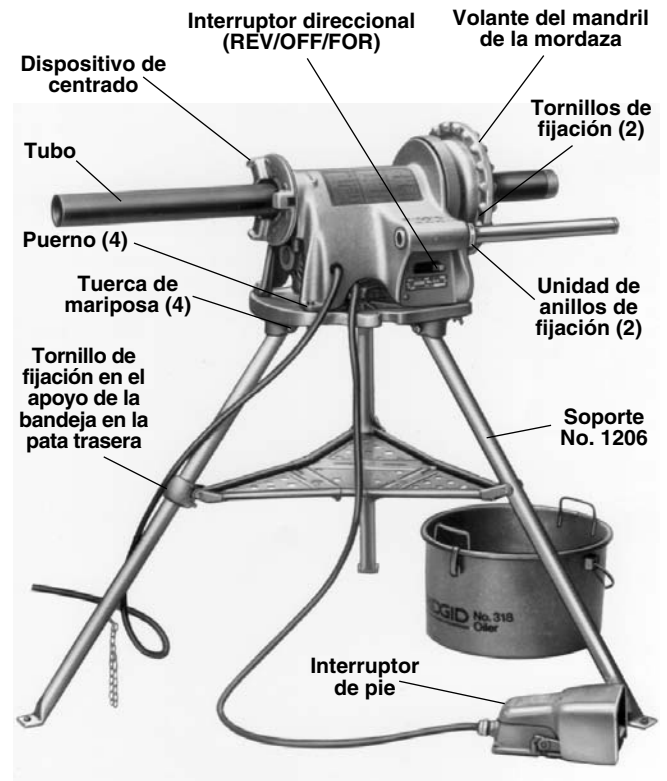


Figura 3 – Accionamiento Autopropulsado No. 300 montado sobre el Soporte No. 1206 junto a la Aceitera No. 418

Montaje del Carro No. 311A y de las herramientas

1. Inspeccione las barras de apoyo para asegurar que están hacia adelante y firmemente sujetas por dos (2) unidades de anillos de fijación. Los tornillos de fijación en los anillos deben quedar apretados (Figura 4).
2. Asegure el perno de ojo en el Carro No. 311A. Deslice el brazo de la palanca a través de la unidad del perno de ojo y fíjelo al collar con el tornillo de tope (Figura 4).
3. Apriete el tornillo de mariposa del collar introduciéndolo en la ranura de la barra de apoyo.
4. Instale la Cortadora No. 360 y la Escariadora No. 341 introduciendo el brazo en la ranura existente en el carro y asegúrelo con el pasador (Figura 4).
5. Instale el Cabezal de terrajas No. 811A introduciendo el poste del cabezal en el agujero correspondiente en el carro.

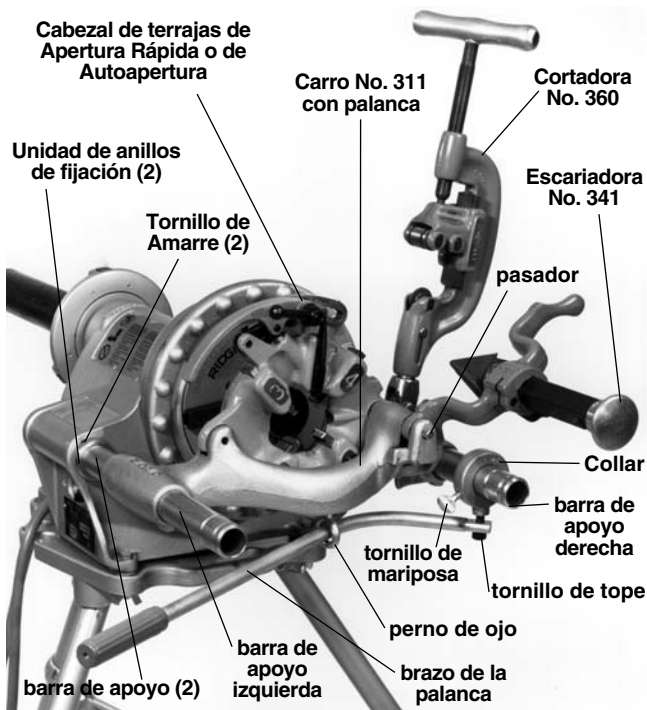


Figura 4 – Accionamiento Autopropulsado No. 300 con el Carro No. 311A, Cortadora No. 360, Escariadora No. 341 y Cabezal de terrajas

¡NOTA! Cuando está totalmente metida, la bola de resorte sujetará al cabezal de terrajas en su lugar.

Inspección de la máquina

⚠ ADVERTENCIA



Revise su Accionamiento Autopropulsado para evitar lesiones graves. Los siguientes procedimientos de inspección deben realizarse a diario:

1. Asegure que el Accionamiento Autopropulsado esté desenchufado y que su interruptor direccional se encuentra en la posición de OFF (apagado) (Figura 3).
2. Limpie las mordazas del mandril con una escobilla metálica.
3. Revise las inserciones de la mordaza por si están desgastadas en exceso. Consulte las Instrucciones de Mantenimiento si necesitan recambiarse.

¡NOTA! Para evitar que se dañen las piezas de trabajo plásticas o revestidas, deben usarse piezas especiales de inserción para las mordazas (No. 97365).

4. Asegure que el interruptor de pie esté presente y acoplado a la Roscadora (Figura 3).

⚠ ADVERTENCIA No haga funcionar el Accionamiento Autopropulsado sin su interruptor de pie.

5. Inspeccione el cordón eléctrico y el enchufe para comprobar que están en buen estado. Si el enchufe ha sido modificado, no tiene su clavija de conexión a tierra, o si el cordón está dañado, no use el Accionamiento Autopropulsado hasta que el cordón haya sido cambiado.
 6. Revise el Accionamiento Autopropulsado para asegurar que no le faltan piezas, que no tenga partes quebradas, desalineadas o agarrotadas, o por si existe cualquiera otra condición que pueda afectar el funcionamiento normal y seguro de la máquina. Si detecta cualquier defecto, no use el Accionamiento Autopropulsado hasta que no haya sido reparado.
 7. Lubrique el Accionamiento Autopropulsado si es necesario, de acuerdo con las Instrucciones de Mantenimiento.
 8. Emplee las herramientas y accesorios específicamente indicados para su Accionamiento Autopropulsado y para el trabajo requerido. Las herramientas y accesorios correctos le permitirán efectuar un trabajo satisfactorio y seguro. Los accesorios diseñados para usarse con otros equipos pueden resultar peligrosos si se usan con este Accionamiento Autopropulsado.
 9. Limpie el aceite, grasa o mugre de todos los mangos y controles. Así no se resbalan las herramientas o mangos de sus manos y disminuye el riesgo de que ocurran lesiones.
- Revise los filos de corte de sus herramientas y terrajas. Si es necesario, recámbralas antes de usar el Accionamiento Autopropulsado. Las herramientas de corte y terrajas desafiladas pueden producir agarrotamientos, roturas en la herramienta y roscas de baja calidad.
10. Limpie las virutas y otros desechos de la bandeja de virutas de la Aceitera No. 418. Revise el nivel y el estado del aceite para cortar roscas. Cambie o agregue aceite, si es necesario.

¡NOTA! El aceite para cortar roscas lubrica y enfría las roscas durante la operación de roscado. El aceite sucio o de baja calidad puede producir roscas deficientes.

Preparación de la máquina y de la zona de trabajo

⚠ ADVERTENCIA

Se requiere una adecuada preparación de la máquina y de la zona de trabajo para evitar que ocurran lesiones de gravedad. Deben seguirse los siguientes procedimientos para preparar la máquina:

1. Elija una zona de trabajo donde:
 - haya suficiente luz.
 - no estén presentes líquidos, vapores o polvos que pueden prender fuego.
 - exista una salida de corriente conectada a tierra.
 - haya una senda directa hasta la salida de corriente eléctrica, libre de fuentes de calor, aceites, bordes afilados o cortantes o piezas móviles que puedan dañar al cordón eléctrico.
 - haya un lugar seco para situar la máquina y al operador. No use la máquina si está puesta sobre agua.
 - el suelo esté nivelado.
 2. Limpie la zona de trabajo antes de montar cualquier equipo. Siempre limpie todo aceite que pueda haber salpicado o goteado de la máquina para impedir que alguien se resbale o caiga.
 3. Ponga el Accionamiento Autopropulsado sobre una superficie plana y nivelada.
 - Si el Accionamiento Autopropulsado va montado en un Soporte No. 1206, ábrale las patas y empuje la bandeja hacia abajo. Las patas deben quedar rígidas y el soporte, sin bambolear.
- ¡NOTA!** Para aumentar o disminuir la rigidez de las patas, consulte las instrucciones de la sección "Montaje sobre un soporte No. 1206".
4. Si la pieza de trabajo se extiende más allá de cuatro (4) pies del Accionamiento Autopropulsado, use uno o más soportes para tubos. Así se evita un volcamiento y la oscilación del tubo.
 5. Si la pieza de trabajo se extiende más allá de Accionamiento Autopropulsado, rodee la zona de trabajo con barreras para dejar un mínimo de tres (3) pies de espacio libre alrededor del Accionamiento Autopropulsado y la pieza de trabajo. Esta "zona de seguridad" impedirá que otros se acerquen a la máquina y a la pieza de trabajo. De lo contrario, personas pueden volcar la máquina o quedar enganchadas en sus partes móviles.
 6. Si se hace necesario, llene la Aceitera No. 418 con Aceite para Roscar RIDGID. Colóquela debajo de la

parte delantera del Accionamiento Autopropulsado (Figura 3).

7. Asegure que el interruptor de FOR/OFF/REV (adelante/apagado/reversa) se encuentra en la posición de OFF (apagado).
8. Sitúe el interruptor de pie donde el operador pueda controlar la máquina, herramientas y pieza de trabajo en forma segura. Como se muestra en la (Figura 8), debe permitir que el operador:
 - quede parado frente al interruptor direccional.
 - accione el interruptor de pie con su pie izquierdo.
 - pueda alcanzar con facilidad el interruptor direccional, las herramientas, los portaherramientas o mandriles, sin tener que extender su cuerpo por encima de la máquina.

La máquina fue diseñada para funcionar al mando de una persona.

9. Enchufe el Accionamiento Autopropulsado a la salida eléctrica ubicada en la senda despejada elegida con anterioridad. Si el cordón eléctrico no alcanza a la salida de corriente, use un cordón de extensión que se encuentre en buenas condiciones.

⚠ ADVERTENCIA

Para evitar choques e incendios eléctricos, nunca use un cordón de extensión dañado o que no cumpla con los siguientes requisitos:

- tener un enchufe de tres clavijas similar al que se muestra en la sección Seguridad Eléctrica.
- estar clasificado como "W" ó "W-A", si será usado a la intemperie.
- tener el grosor suficiente (14 AWG si mide 25 pies de largo o menos, 12 AWG si mide entre 25 y 50 pies). Si el grosor del cable es insuficiente, el cordón puede sobrecalentarse y derretirse su material aislante, o prender fuego a objetos cercanos.

⚠ ADVERTENCIA Para reducir el riesgo de ocasionar choques eléctricos, mantenga todas las conexiones eléctricas secas y levantadas del suelo. No toque el enchufe con las manos mojadas.

10. Revise el Accionamiento Autopropulsado para asegurar que funciona correctamente.

- Mueva el interruptor direccional a la posición de FOR (adelante). Oprima y suelte el interruptor de pie. Verifique que el Accionamiento Autopropulsado gira en el sentido contrario al de las manecillas del reloj cuando usted se encuentra frente al portaherramientas delantero. Haga componer el Accionamiento Autopropulsado si gira en el sentido equivocado o si el interruptor de pie no controla su detención o puesta en marcha.
- Oprima y mantenga el pie sobre el interruptor. Revise las partes movibles por si están desalineadas o atascadas o por si emiten ruidos extraños, y asegure que no existan otras condiciones inusuales que afecten el normal y seguro funcionamiento de la máquina. Si detecta alguna anomalía, lleve el motor a componer.
- Mueva el interruptor direccional a la posición de REV (reversa). Oprima y suelte el interruptor de pie. Revise que el accionamiento autopropulsado esté girando en el sentido de las manecillas del reloj cuando usted se encuentra de frente al portaherramientas.
- Suelte el interruptor de pie y mueva el interruptor direccional a la posición de OFF (apagado).

Instrucciones de funcionamiento al usarse herramientas manuales

⚠ ADVERTENCIA



No use guantes o ropa suelta cuando haga funcionar el Accionamiento Autopropulsado. Mantenga las mangas y chaquetas abotonadas. No extienda su cuerpo sobre la máquina ni el tubo.

No use este Accionamiento Autopropulsado si le falta su interruptor de pie o si éste está dañado. Siempre lleve protección para los ojos para que no les entren mugre u objetos extraños.

Mantenga sus manos apartadas de un tubo o acoplamiento o fitting que gira. Detenga la máquina antes de limpiar las roscas de un tubo o de atornillar un acoplamiento. Espere que la máquina se detenga por completo antes de tocar el tubo o los portaherramientas de la máquina.

No emplee la máquina para fabricar o desprender un acoplamiento o fitting. El Accionamiento Autopropulsado no está hecho para estos usos.

Instalación del tubo en el Accionamiento Autopropulsado:

1. Haga una marca en el tubo, allí donde lo desea cortar.
2. Introduzca el tubo en el Accionamiento Autopropulsado de tal manera que el extremo que se labrará o la marca hecha en el lugar del corte quede unas 12 pulgadas más adelante que las mordazas del mandril.
3. Introduzca las piezas de trabajo de menos de 2 pies de longitud por la parte delantera de la máquina. Meta los tubos más largos por cualquiera de los dos extremos para que el trozo más largo del tubo sobresalga de la parte trasera del Accionamiento Autopropulsado.

⚠ ADVERTENCIA Para evitar el volcamiento del equipo, coloque los soportes para tubos debajo de la pieza de trabajo.

4. Apriete el dispositivo de centrado trasero para sujetar el tubo girando el volante ubicado en la parte posterior del Accionamiento Autopropulsado. Así se evita el movimiento del tubo y se logran roscas de calidad.
5. Asegure el tubo con repetidos giros enérgicos, en el sentido contrario al de las agujas del reloj, del volante del mandril ubicado en la parte delantera del Accionamiento Autopropulsado. Esta acción hace que las mordazas “muerdan” al tubo con firmeza.
6. Extienda totalmente ambas barras de apoyo más allá de la parte delantera del Accionamiento Autopropulsado.

Corte de tubos con una cortadora manual

1. Coloque el cortatubos en la pieza de trabajo con las ruedas de corte apuntando hacia arriba (vea la sección “Accesorios” donde se listan los cortatubos recomendados para usarse con el Accionamiento Autopropulsado).
2. Alinee las ruedas de corte con la marca en el tubo y pose el cuerpo del cortatubos sobre la barra de apoyo izquierda (*Figura 5*). Con la mano apriete el cortatubos contra la pieza de trabajo haciendo uso del mango del tornillo de alimentación, mientras mantiene las ruedas del cortatubos alineadas con la marca.
3. Adopte la postura correcta para trabajar (*Figura 8*). Así mantendrá su equilibrio y ejercerá control sobre la máquina y herramientas.
 - Asegure que puede retirar su pie con rapidez del interruptor de pie.
 - Párese vuelto hacia el interruptor direccional.

- Asegure que puede alcanzar con facilidad tanto al interruptor direccional como a las herramientas y portaherramientas.
 - No extienda su cuerpo sobre la máquina o la pieza de trabajo.
4. Asegure que el interruptor direccional esté en la posición de FOR (adelante).
 5. Agarre el mango del tornillo de alimentación de la cortadora con ambas manos (Figura 5) y con su pie izquierdo baje y mantenga oprimido el interruptor de pie.

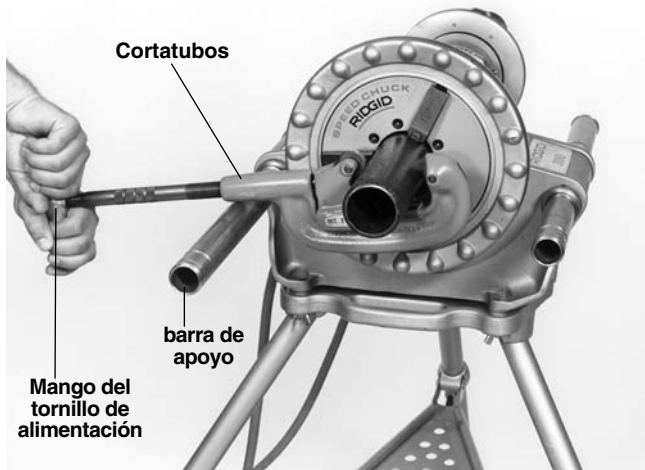


Figura 5 – Corte de un tubo con una cortadora o cortatubos manual

6. Lenta y progresivamente apriete el mango del tornillo de alimentación hasta que se haya cortado el tubo. No fuerce el cortatubos contra la pieza de trabajo.

⚠ ADVERTENCIA Para evitar ser golpeado, mantenga el cortatubos bien agarrado y asegure que se encuentre apoyado en la barra de apoyo. Si no se lo sujeta firmemente, la herramienta puede darse vueltas o caer al suelo.

7. Suelte el interruptor de pie y saque el pie de su alojamiento.

Escariado de tubos con una escariadora manual

⚠ ADVERTENCIA Para evitar lesiones graves, no use escariadoras de espiral autoalimentado con el Accionamiento Autopropulsado No. 300.

1. Gire el interruptor direccional a la posición de FOR (adelante).
2. Introduzca la escariadora en el extremo del tubo (en la sección “Accesorios” se listan las escariadoras utilizables con este Accionamiento Autopropulsado).
3. Adopte la postura correcta para trabajar.

4. Pose el mango en la barra de apoyo izquierda (Figura 6) y sostenga la empuñadura de la escariadora con su mano derecha. Sus dedos no deben tocar la zona donde hacen contacto la escariadora y la barra de apoyo. Pueden sufrir pellizcos.
5. Con su mano izquierda, agarre firmemente el extremo del mango de la escariadora y luego pise y mantenga oprimido el interruptor de pie.
6. Con su mano derecha empuje la escariadora con firmeza dentro del tubo hasta completar el escariado. Mantenga su brazo y mano apartados de las piezas giratorias y agarre la empuñadura con firmeza.
7. Suelte el interruptor de pie y saque su pie del alojamiento a la vez que sujeta la escariadora con ambas manos.

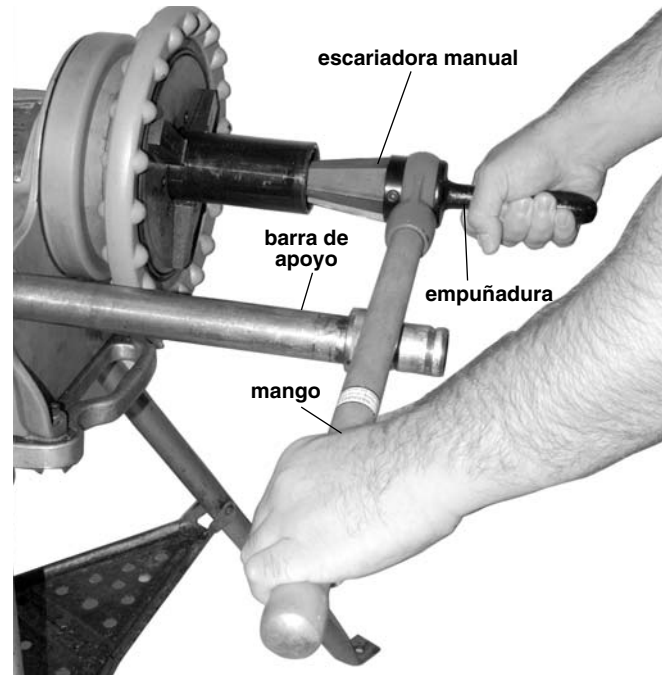


Figura 6 – Escariado de tubos con escariadora manual

8. Sólo extraiga la escariadora del tubo cuando el Accionamiento Autopropulsado haya dejado de girar.

Roscado de tubos con una roscadora manual

1. Coloque el cabezal de terrajas de la roscadora manual sobre el extremo del tubo (en la sección “Accesorios” se listan las roscadoras manuales utilizables con este Accionamiento Autopropulsado).
2. Ponga la perilla de trinquete ubicada en la roscadora manual de tal forma que la flecha en la perilla apunte hacia arriba.

3. Pose el mango de trinquete de la roscadora manual sobre la barra de apoyo izquierda (vista desde la parte delantera del Accionamiento Autopropulsado - *Figura 7*).

⚠ ADVERTENCIA Sus dedos no deben tocar la zona donde hacen contacto la roscadora y la barra de apoyo. Pueden sufrir pellizcos.

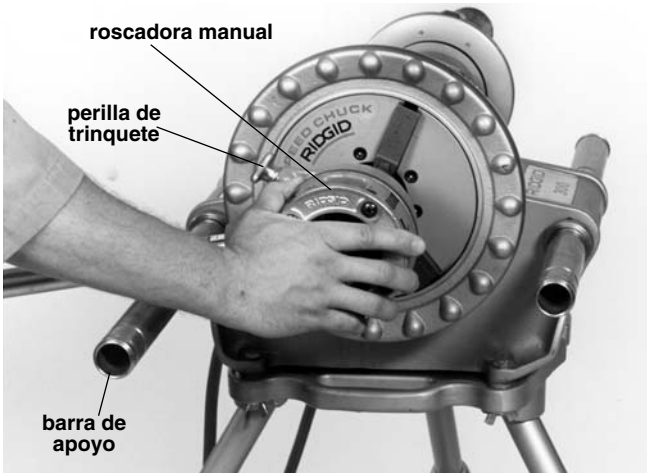


Figura 7 – Introducción de la roscadora manual en el tubo para engranar las terrajas

4. Aplique Aceite para Cortar Roscas RIDGID al extremo del tubo.
5. Adopte la postura correcta para trabajar. Revise que el interruptor direccional esté en la posición de FOR (adelante).
6. Con su mano derecha sujete el cabezal de terrajas contra la pieza de trabajo.

⚠ ADVERTENCIA Para evitar lesiones causadas por filos cortantes y piezas móviles, mantenga sus manos y dedos apartados de todo salvo el cuerpo exterior del cabezal de terrajas.

7. Pise y mantenga oprimido el interruptor de pie.
8. Con la palma de su mano derecha, empuje el cabezal de terrajas contra el tubo hasta que las terrajas engranen la pieza de trabajo. Una vez engranadas, las roscas serán labradas a medida que las terrajas se trasladan hasta el final del tubo (*Figura 8*).
9. Retire su mano derecha de la zona del cabezal de terrajas y aceite abundantemente las terrajas mientras se rosca el tubo (*Figura 8*).

⚠ ADVERTENCIA Para evitar lesiones graves ocasionadas por piezas en movimiento, mantenga una distancia prudente entre su mano y las partes giratorias mientras aceita las terrajas.

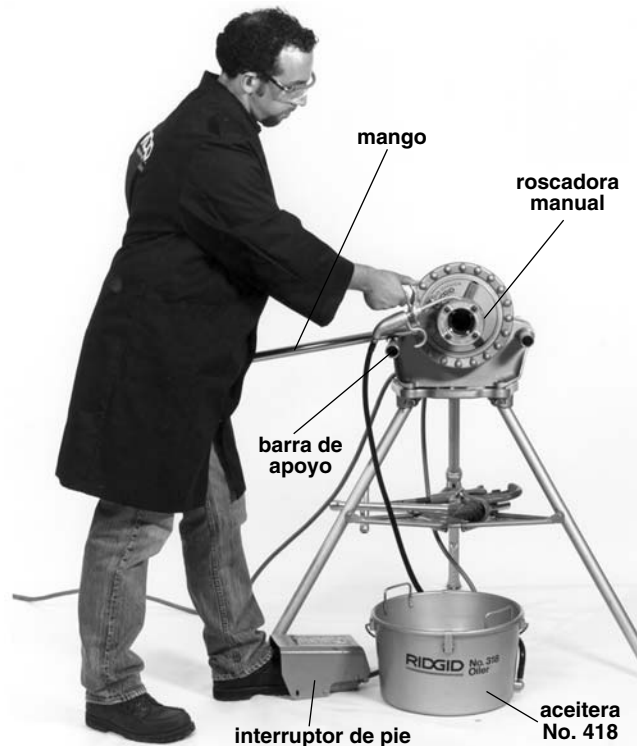


Figura 8 – Roscado con una roscadora manual

10. Suelte el interruptor de pie y saque su pie del alojamiento cuando el tubo llegue al final de las terrajas.
11. Levante levemente el mango de la roscadora mientras desliza la barra de apoyo izquierda por completo hacia la parte trasera del Accionamiento Autopropulsado.
12. Invierta la perilla de trinquete. La flecha marcada en la perilla debe apuntar hacia abajo.
13. Baje el mango de la roscadora más abajo de la altura de la barra de apoyo.
14. Tire de la barra de apoyo izquierda hasta que quede totalmente extendida por delante del Accionamiento Autopropulsado.
15. Levante y sostenga el mango de la roscadora contra la barra de apoyo izquierda.
16. Cambie el interruptor direccional a la posición de REV (reversa). Pise y mantenga oprimido el interruptor de pie hasta que la roscadora se haya desatornillado a sí misma de la pieza de trabajo.

⚠ ADVERTENCIA Para evitar lesiones ocasionadas por piezas que caen, mantenga la roscadora agarrada firmemente para impedir que caiga al suelo cuando se haya desatornillado por completo.

17. Suelte el interruptor de pie y saque su pie del alojamiento.
18. Ponga la roscadora sobre una mesa y, si es necesario, limpie las roscas con un trapo para sacarles el aceite o desechos. Tenga cuidado de no cortarse los dedos o las manos con bordes o desechos filosos.
19. Chequee la profundidad y longitud de la rosca (Figura 14).

Cómo sacar el tubo del Accionamiento Autopropulsado

1. Mueva el interruptor direccional a la posición de OFF (apagado).
2. Repetidamente dele vueltas enérgicas, en el sentido de las agujas del reloj, al volante del mandril ubicado en la parte delantera del Accionamiento Autopropulsado para soltar la pieza de trabajo de las mordazas del mandril.
3. Si es necesario, suelte el dispositivo de centrado trasero dándole vueltas en el sentido de las agujas del reloj al volante en la parte trasera del Accionamiento Autopropulsado.
4. Sujetándola firmemente, deslice la pieza de trabajo fuera del Accionamiento Autopropulsado.

⚠ ADVERTENCIA Cuando trabaje con trozos largos de tubos, asegure que el extremo más distante del Accionamiento Autopropulsado esté sujeto antes de retirarlo. De lo contrario, pueden ocurrir lesiones al volcarse la máquina o caer la pieza de trabajo.

5. Limpie los derrames y salpicaduras de aceite que hayan caído al suelo alrededor del Accionamiento Autopropulsado.

Instrucciones de funcionamiento al usarse herramientas motopropulsadas montadas en un carro

⚠ ADVERTENCIA



No use guantes o ropa suelta cuando haga funcionar el Accionamiento Autopropulsado. Mantenga las mangas y chaquetas abotonadas. No extienda su cuerpo sobre la máquina, la roscadora a engranajes o el árbol de propulsión.

No use este Accionamiento Autopropulsado si le

falta su interruptor de pie o si está dañado. Siempre lleve protección para los ojos para que no les entren mugre u objetos extraños.

Mantenga sus manos apartadas de las piezas y fittings que giran. Detenga la máquina antes de limpiar roscas o de atornillar un acoplamiento o fitting. Permita que la máquina se detenga por completo antes de tocar el tubo, o los portaherramientas y mandriles de la máquina.

No emplee esta máquina para fabricar o quebrar fittings. Este Accionamiento Autopropulsado no fue fabricado con esa intención.

Instalación del tubo en el Accionamiento Autopropulsado

1. Asegure que la cortadora, escariadora y el cabezal de terrajas se encuentren en la posición elevada, hacia atrás del carro.
2. Haga una marca en el tubo, allí donde lo desea cortar.
3. Introduzca el tubo en el Accionamiento Autopropulsado de tal manera que el extremo que se labrará o la marca hecha en el lugar del corte quede a unas 12 pulgadas por delante de las mordazas del mandril.
4. Introduzca las piezas de trabajo de menos de 2 pies de longitud por la parte delantera de la máquina. Meta los tubos más largos por cualquiera de los dos extremos para que el trozo más largo del tubo sobresalga de la parte trasera del Accionamiento Autopropulsado.

⚠ ADVERTENCIA Para evitar el volcamiento del equipo, coloque los soportes para tubos debajo de la pieza de trabajo.

5. Apriete el dispositivo de centrado trasero para sujetar el tubo girando el volante ubicado en la parte posterior del Accionamiento Autopropulsado. Así se evita el movimiento del tubo y se logran roscas de calidad.
6. Afirme el tubo con repetidos giros enérgicos, en el sentido contrario al de las agujas del reloj, del volante del mandril ubicado en la parte delantera del Accionamiento Autopropulsado. Esta acción hace que las mordazas “muerdan” al tubo con firmeza.

Corte de tubos con la Cortadora No. 360

1. Chequee que la escariadora y el cabezal de terrajas se encuentren en posición de UP (arriba) (Figura 9).
2. Baje el cortatubos hasta tocar el tubo y mueva el carro con la palanca del carro para alinear la rueda de la cortadora con la marca en el tubo.
3. Apriete el mango del tornillo de alimentación del cortatubos mientras mantiene la rueda de corte alineada con la marca.

4. Adopte la postura correcta para trabajar (Figura 11).

⚠ ADVERTENCIA Así podrá mantener el equilibrio y un control seguro de la máquina y las herramientas.

- Asegure que pueda quitar el pie del interruptor de pie con rapidez.
 - Párese mirando el interruptor direccional.
 - Asegure que puede alcanzar fácilmente el interruptor direccional, las herramientas y los portaherramientas o mandriles.
 - No extienda su cuerpo sobre la máquina o la pieza de trabajo.
5. Gire el interruptor direccional a la posición FOR (adelante).
 6. Con ambas manos, agarre el mango de alimentación del cortatubos (Figura 9).

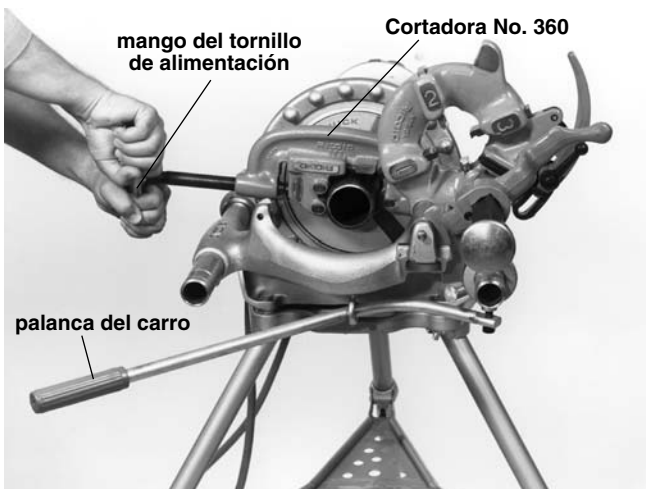


Figura 9 – Corte de tubos con la Cortadora No. 360

7. Pise y mantenga oprimido el interruptor de pie con su pie izquierdo.
8. Apriete el mango del tornillo de alimentación continua y lentamente hasta que se haya cortado el tubo. No fuerce la cortadora hacia el tubo.
9. Suelte el interruptor de pie y saque su pie del alojamiento.
10. Vuelva el cortatubos a su posición UP (arriba).

Escariado de tubos con la Escariadora No. 341

1. Mueva el brazo de la escariadora a su posición de escariado (Figura 10).
2. Extienda la escariadora presionando el pestillo y deslizando la perilla hacia el tubo hasta que enganche el pestillo.

3. Revise que el interruptor direccional esté en la posición de FOR (adelante). Pise y mantenga oprimido el interruptor de pie con su pie izquierdo.
4. Coloque la escariadora en el tubo y efectúe el escariado presionando sobre la palanca del carro con su mano derecha.
5. Retraiga la barra de la escariadora y vuelva la escariadora a la posición de UP (arriba).

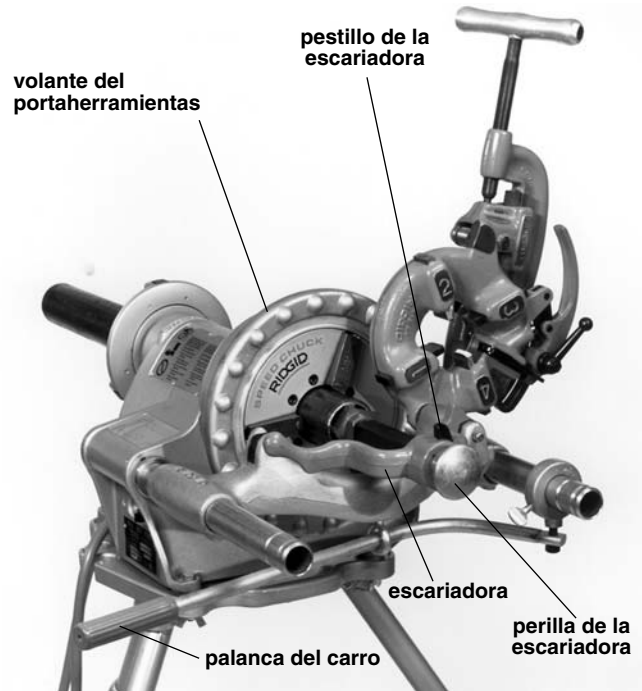


Figura 10 – Escariado de tubos con la Escariadora No. 341

6. Suelte el interruptor de pie y saque su pie del alojamiento.

Roscado de tubos con Cabezales de Terrajas de Apertura Rápida o de Autoapertura

1. Chequee que la escariadora y el cabezal de terrajas se encuentren hacia la parte trasera del carro (Figura 11).
2. Baje el cabezal de terrajas a la posición de roscado.
3. Cerciórese de que las terrajas en el cabezal de terrajas son las del tamaño correcto. Se requiere un juego de terrajas para cada una de las siguientes gamas de dimensión de tubo: (1/8 pulg.), (1/4 a 3/8 pulg.), (1/2 a 3/4 pulg.) y (1 a 2 pulgs). El roscado de pernos requiere un juego distinto de terrajas para cada dimensión de perno.

4. Regule el cabezal de terrajas a la dimensión deseada.

¡NOTA! Consulte las instrucciones en la sección referente a los cabezales de terrajas Nos. 811A ú 815A para cambiarlas o ajustarlas al tamaño correcto.

5. Cabezal de Terrajas de Apertura Rápida No. 811A (Figura 12). Gire la palanca de desenganche a la posición de CLOSED (cerrada).

Cabezal de Terrajas de Autoapertura No. 815A (Figura 13). Empuje la palanca de desenganche hacia abajo hasta que el gatillo de desenganche se dispare.

6. Aplique Aceite para Cortar Roscas RIDGID al extremo del tubo.
7. Adopte la postura correcta para trabajar.
8. Chequee que el interruptor direccional se encuentra en la posición de FOR (adelante). Con su pie izquierdo, pise y mantenga oprimido el interruptor de pie.
9. Engrane las terrajas en el tubo empleando la palanca del carro. Aceite las terrajas con abundante Aceite para Roscar de RIDGID hasta completarse la rosca.

⚠ ADVERTENCIA Mantenga sus manos lo suficientemente apartadas de las piezas giratorias cuando aceite las terrajas. De lo contrario, puede sufrir lesiones graves.

10. Cabezal de Terrajas de Apertura Rápida No. 811A (Figura 12). Completada la rosca, levante la palanca de desenganche para retraer las terrajas.

Cabezal de Terrajas de Autoapertura No. 815A (Figura 13). Cuando el gatillo del cabezal de terrajas hace contacto con el extremo del tubo, la palanca de desenganche se abre automáticamente.

11. Suelte el interruptor de pie y saque su pie del alojamiento.
12. Aleje la palanca del carro del extremo del tubo y vuelva el cabezal de terrajas a la posición de UP (arriba).
13. Verifique la longitud y profundidad de la rosca (Figura 14).

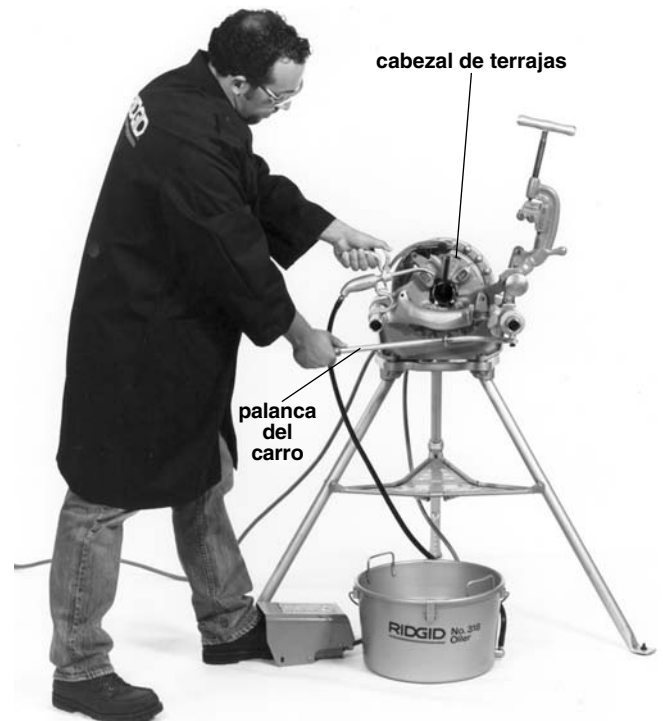


Figura 11 – Roscado de un tubo con un cabezal de terrajas de autoapertura o uno de apertura rápida

Cómo sacar el tubo del Accionamiento Autopropulsado

1. Mueva el interruptor direccional a la posición de OFF (apagado).
2. Repetidamente dele vueltas enérgicas, en el sentido de las agujas del reloj, al volante del mandril ubicado en la parte delantera del Accionamiento Autopropulsado para soltar la pieza de trabajo de las mordazas del mandril.
3. Si es necesario, suelte el dispositivo de centrado trasero dándole vueltas en el sentido de las agujas del reloj al volante en la parte trasera del Accionamiento Autopropulsado.
4. Sujetándola firmemente, deslice la pieza de trabajo fuera del Accionamiento Autopropulsado.

⚠ ADVERTENCIA Cuando trabaje con trozos largos de tubos, asegure que el extremo más distante del Accionamiento Autopropulsado esté sujeto antes de retirarlo. De lo contrario, pueden ocurrir lesiones al volcarse la máquina o caer la pieza de trabajo.

5. Limpie los derrames y salpicaduras de aceite que hayan caído al suelo alrededor del Accionamiento Autopropulsado.

Instalación de terrajas en el Cabezal de Terrajas de Apertura Rápida No. 811A (mano izquierda y derecha)

¡NOTA! El Cabezal de Terrajas Universal No. 811A (Figura 12) para roscas a mano derecha requiere cuatro juegos de terrajas para roscar tubos de entre 1/8 a 2 pulgadas de diámetro. Se requiere un juego de terrajas para cada una de las siguientes gamas de dimensión de tubo: (1/8 pulg.), (1/4 a 3/8 pulg.), (1/2 a 3/4 pulg.) y (1 a 2 pulgs). No existen disponibles terrajas para tubos de 1/8 pulgada para el cabezal de terrajas a mano izquierda. El roscado de pernos requiere un juego distinto de terrajas para cada dimensión de perno. No hay disponibles terrajas para pernos para los cabezales de terrajas universales a mano izquierda.

1. Con la máquina desenchufada, extraiga el cabezal de terrajas. Acueste el cabezal de terrajas en un banco de trabajo con los números hacia arriba.
2. Lleve la palanca de desenganche a la posición de OPEN (abierta).
3. Suelte la palanca de agarre con unas tres vueltas aproximadamente.
4. Levante la lengüeta de la arandela en la palanca de agarre para que salga de la ranura debajo de la barra de dimensionamiento. Deslice la palanca de desenganche hasta el extremo de la ranura en la dirección de OVER (exceso), que se indica en la barra de dimensionamiento (es decir, hacia la flecha marcada CHANGE DIES -cambio de terrajas- en la parte trasera de la placa de levas).
5. Extraiga las terrajas del cabezal de terrajas.
6. Coloque nuevas terrajas hasta la marca indicada en el costado de las terrajas. Los números de las terrajas (1 al 4) deben concordar con aquéllos en el cabezal de terrajas.
7. Deslice la palanca de desenganche hacia atrás para que la lengüeta de la arandela de la palanca de agarre caiga en la ranura debajo de la barra de dimensionamiento.
8. Regule la barra de dimensionamiento del cabezal de terrajas hasta que la línea índice en el tornillo de seguridad o en el eslabón esté alineada con la marca para la dimensión apropiada en la barra de dimensionamiento. Se trata de roscas en pernos, alinee la línea índice con la línea BOLT (perno) en la barra de dimensionamiento.
9. Apriete la palanca de agarre.
10. Cuando se requieren roscas sobredimensionadas

o, por el contrario, de dimensión reducida, regule la línea índice hacia la dirección de OVER (exceso) o UNDER (debajo) en la barra de dimensionamiento.

11. Reemplace el cabezal de terrajas en la máquina.

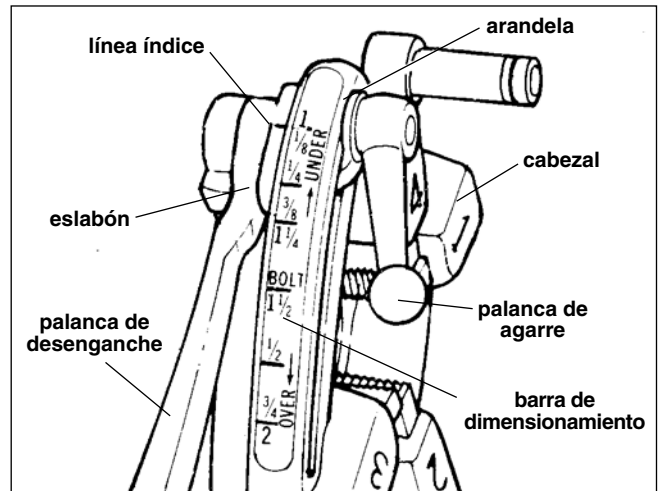


Figura 12 – Cabezal de Terrajas Universal de Apertura Rápida

Instalación de terrajas en el Cabezal de Terrajas de Autoapertura No. 815A (sólo a mano derecha)

¡NOTA! El Cabezal de Terrajas de Autoapertura No. 815 (Figura 13) para roscas a mano derecha requiere cuatro juegos de terrajas para roscar tubos de 1/8 a 2 pulgadas. Se requiere un juego de terrajas para cada una de las siguientes gamas de dimensión de tubo: (1/8 pulg.), (1/4 a 3/8 pulg.), (1/2 a 3/4 pulg.) y (1 a 2 pulgadas). El roscado de pernos requiere un juego distinto de terrajas para cada dimensión de perno.

1. Con la máquina desenchufada, coloque el cabezal de terrajas de autoapertura verticalmente sobre un banco de trabajo.
2. Asegure que el conjunto del gatillo esté destrabado.
3. Suelte la palanca de agarre dándole unas seis vueltas.
4. Tire del tornillo de seguridad extrayéndolo de la ranura ubicada debajo de la barra de dimensionamiento, de modo que el pasador en el tornillo de seguridad pueda salir por la ranura. Coloque la barra de dimensionamiento de tal manera que la línea índice en el tornillo de seguridad se encuentre en el extremo de la posición REMOVE DIES (extraer dados/peines).
5. Acueste el cabezal de terrajas con los números apuntando hacia arriba.
6. Extraiga las terrajas desgastadas fuera del cabezal.

7. Coloque nuevas terrajas hasta la marca indicada en el costado de las terrajas. Los números de las terrajas (1 al 4) deben concordar con aquéllos en el cabezal de terrajas.
8. Gire la palanca de la placa de levas hacia atrás para enclavar las terrajas en el cabezal.
9. Con el cabezal en la posición vertical, gire la placa de levas hasta que el pasador en el tornillo de seguridad pueda ser colocado en la ranura situada debajo de la barra de dimensionamiento. En esta posición las terrajas se enclavarán en el cabezal de terrajas. Asegure que el pasador apunte hacia el extremo de la barra de dimensionamiento donde se encuentra la marca REMOVE DIES (extraer terrajas).
10. Regule la barra de dimensionamiento del cabezal de terrajas hasta que la línea índice situada en el tornillo de seguridad se alinee con las marcas de dimensión correspondientes en la barra de dimensionamiento.
11. Apriete la palanca de agarre.
12. Cuando se requieran roscas ya sea sobredimensionadas o de dimensión reducida, regule la línea índice hacia la marca de OVER (exceso) o UNDER (debajo) en la barra de dimensionamiento.
13. Vuelva a colocar el cabezal de terrajas en la máquina.

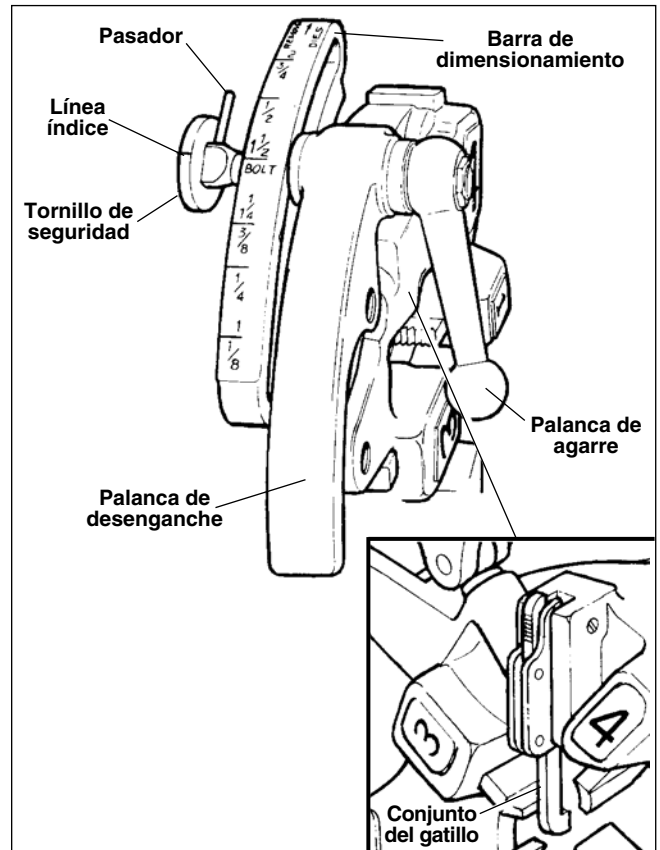


Figura 13 – Cabezal de Terrajas de Autoapertura No. 815

Verificación de la longitud de la rosca

1. La rosca tiene la longitud debida cuando el extremo del tubo queda al ras con el borde de las terrajas (Figura 14A).
2. El cabezal de terrajas es ajustable para obtener el diámetro correcto de rosca. En lo posible, la rosca debe chequearse con un calibrador anular (Figura 14B). Una rosca está bien cortada cuando el extremo del tubo queda más/menos una vuelta (+/-1) de estar al ras con la cara del medidor anular.

¡NOTA! Si no se dispone de un calibrador anular, puede usarse un fitting o acoplamiento. El fitting debe ser representativo de lo que se requiere en el trabajo. La rosca del tubo debe cortarse de tal manera que se obtengan dos o tres vueltas de apriete manual con el fitting. Si la rosca del tubo no tiene un diámetro correcto, la línea índice debe moverse hacia las marcas de OVER o UNDER en la barra de dimensionamiento. (Vea “Instalación de terrajas en los cabezales de terrajas”).

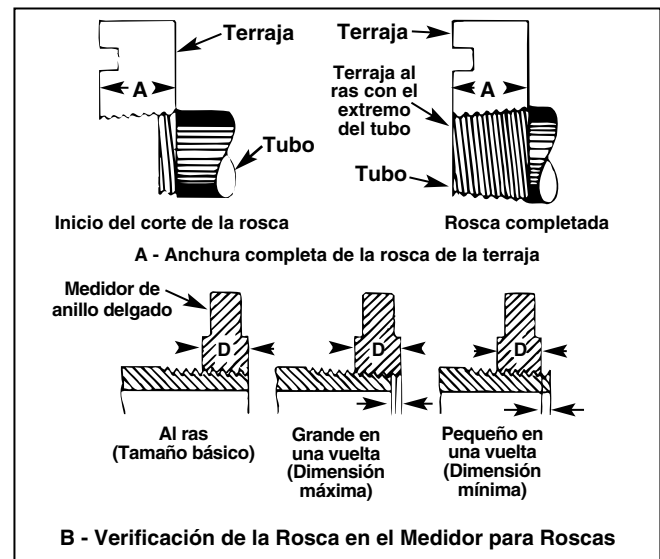


Figura 14 – Verificación de la longitud de la rosca

Accesorios

⚠ ADVERTENCIA

Los siguientes productos RIDGID son los únicos aptos para funcionar con el Accionamiento Autopropulsado No. 300. Los accesorios de otras herramientas pueden resultar peligrosos si se usan en este Accionamiento Autopropulsado. Para evitar lesiones de gravedad, sólo use los accesorios que se listan a continuación.

Accesorios para el Accionamiento Autopropulsado

Modelo No.	Descripción
1206	Soporte para el Accionamiento Autopropulsado No. 300
32	Transportador (para los Accionamientos Autopropulsados y las prensas de tornillo con trípode)
819	Portaherramientas niplero completo, 12 a 55 mm. (1/2 a 2 pulgadas)
1452	Bandeja de herramientas que se engancha
-	Inserciones para las mordazas para proteger tubos revestidos
E-863	Cono escariador de mano izq. y der.
-	Grasa de motor para el cabezal de engranajes

Herramientas manuales recomendadas para usarse con el Accionamiento Autopropulsado

Roscadoras:

- Roscadora de tubos No. 12-R
- Roscadora de tubos No. OO-R
- Roscadora de tubos No. 11-R
- Roscadora de pernos OO-RB

Cortadoras:

- Cortadora Nos. 1-A y 2-A
- Cortadora No. 202

Escariadoras:

- Escariadoras a trinquete Nos. 2 y 3

Para especificaciones y números en el catálogo, consulte a un distribuidor RIDGID o el catálogo Ridge.

Carro 311A y herramientas como accesorios

Modelo No.	Descripción
311	Carro con palanca No. 312
341	Escariadora para el carro No. 311
360	Cortadora para el carro No. 311
811A	Cabezal de terrajas apertura rápida solamente, sólo de mano derecha
815A	Cabezal de terrajas de Autoapertura solamente, sólo de mano derecha

Roscadoras a engranajes:

- No. 141 para tubos de 2 1/2 a 4 pulgadas (NPT ó BSPT)
- No. 161 para tubos de 4 a 6 pulgadas (NPT ó BSPT)

Accesorios para roscar con el método de acoplamiento cercano

Modelo No.	Descripción	Roscadoras a Engrajes	
		141	161
	soportes para tubos		
758	bucle	X	
844	barra de accionamiento	X	X
346	brazo de apoyo (2)		X
¡NOTA! Si una caja de engranajes no tiene el agujero para el bucle, emplee una brida adaptadora No. 3675 en lugar del bucle No. 758.			

Accesorios para roscar con un eje de accionamiento

Catálogo No.	Modelo No.	Descripción
61122	840-A	Eje de accionamiento universal
72037	460	Soporte sobre trípode
42510	92	Soporte ajustable para tubos

¡NOTA! Consulte el catálogo de Ridge Tool para conocer la lista de soportes para tubos, aceites para roscar, cabezales de terrajas y terrajas.

Instrucciones de Mantenimiento

⚠ ADVERTENCIA

Cerciórese de que la máquina se encuentra desenchufada antes de efectuarle cualquier servicio o mantenimiento.

Piezas de inserción para la mordaza

1. A diario limpie los dientes de las piezas de inserción con una escobilla de alambre.
2. Recambie las inserciones de la mordaza cuando sus dientes se hayan desgastado y no sujeten debidamente al tubo o la varilla.

¡NOTA! Recambie el juego completo de las piezas de inserción para asegurar una óptima sujeción del tubo o la varilla.

Recambio de la piezas de inserción para la mordaza

1. Coloque un destornillador en la ranura de inserción y gírelo en 90 grados en cualquier dirección.
2. Coloque la pieza de inserción de costado en el pasador de enclavamiento y presione hacia abajo tanto como pueda.
3. Sostenga la pieza de inserción firmemente con el destornillador; gírela para que los dientes apunten hacia arriba.

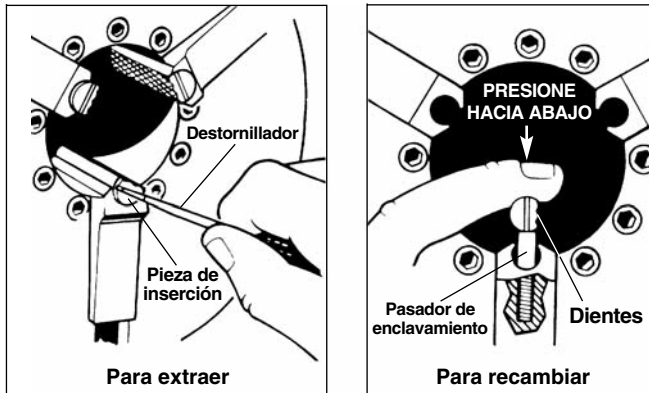


Figura 26 – Recambio de las piezas de inserción para la mordaza

Lubricación

Para un rendimiento sin problemas y una larga vida útil del Accionamiento Autopropulsado es esencial que se lo lubrique adecuadamente.

Engrase los cojinetes del eje o árbol principal cada 2 a 6 meses, dependiendo del uso que se le dé al Accionamiento Autopropulsado. Los fittings para el engrase están al costado de la base, uno en cada extremo del árbol. Use grasa de alta calidad.

Recambio de las escobillas del motor

1. Revise las escobillas del motor cada seis (6) meses y recámbielas cuando se hayan desgastado a menos de $\frac{1}{2}$ pulgada.
2. Si el comunicador está desgastado, la cara exterior del comunicador debe darse vuelta y la mica, rebajarse, antes de reponer las escobillas. Esto debe realizarlo un técnico en reparaciones calificado.

Recambio del motor

1. Desenchufe el receptáculo hembra del motor de la caja de conmutación.
2. Quite los dos (2) tornillos No. E-891 que sujetan el motor.
3. Afloje el tornillo trasero E-4548 ubicado en el cuerpo, en el cuello del motor. Levante y saque el motor.

Almacenamiento de la máquina

⚠ ADVERTENCIA Los equipos a motor deben guardarse dentro, bajo techo, o bien cubiertos para guarecerlos de la lluvia. Almacene la máquina bajo llave, fuera del alcance de los niños y personas que no conocen el manejo de este Accionamiento Autopropulsado. Esta máquina puede causar graves lesiones en manos de usuarios sin entrenamiento.

Servicio y reparaciones

⚠ ADVERTENCIA



El servicio y reparaciones a este Accionamiento Autopropulsado deben ser realizados por técnicos de reparaciones calificados. El Accionamiento Autopropulsado debe llevarse a un Servicentro Independiente Autorizado de RIDGID o devuelto a la fábrica. Todo servicio efectuado por un taller de reparaciones Ridge está garantizado contra defectos de los materiales o de la mano de obra.

Sólo deben usarse piezas de recambio idénticas cuando se le hace mantenimiento a este Accionamiento Autopropulsado. Si no se siguen estas instrucciones, pueden ocurrir choques eléctricos u otras lesiones de gravedad.

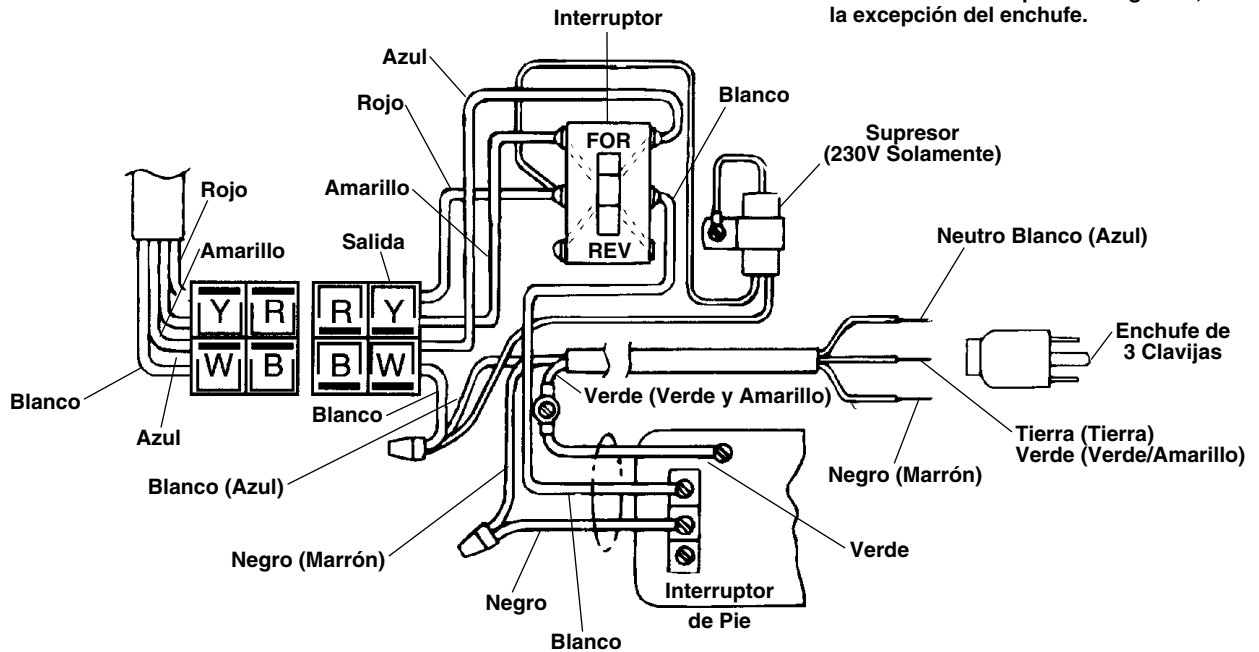
Si Ud. tiene cualquier pregunta relativa al servicio o reparación de esta máquina, llame o escriba a:

Ridge Tool Company
 Technical Service Department
 400 Clark Street
 Elyria, Ohio 44035-6001
 Teléfono: (800) 519-3456
 E-Mail: rttechservices@emerson.com

Para obtener el nombre y la dirección del Servicentro Autorizado más cercano a Ud., llame al (800) 519-3456 o visítenos en <http://www.RIDGID.com>

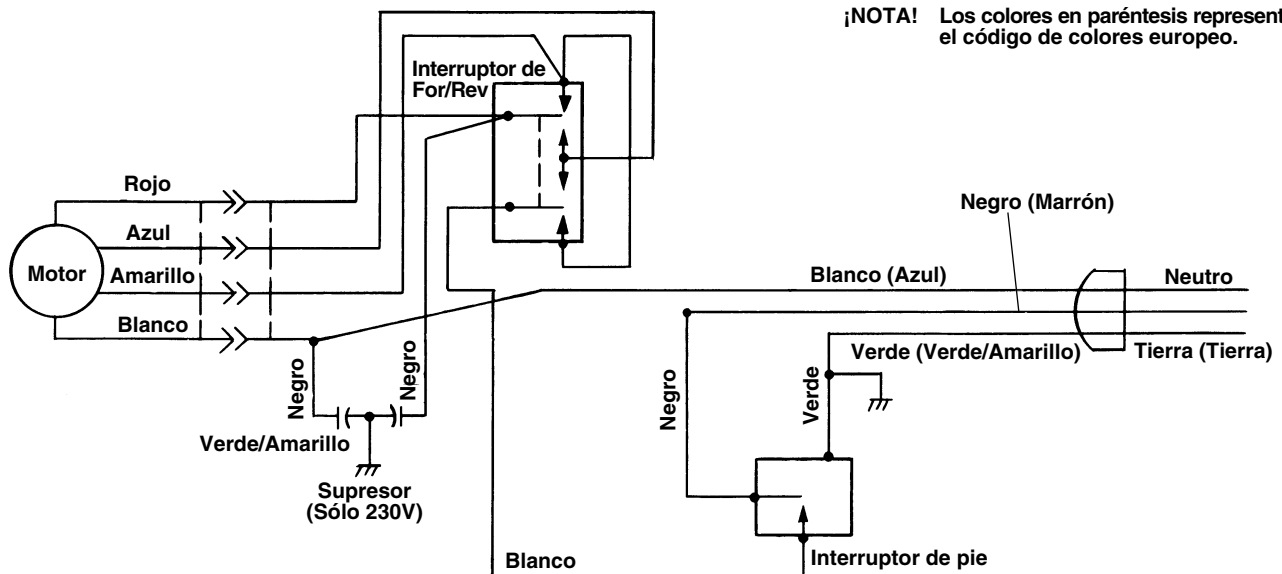
Diagrama de cableado (115/230V)

1. Los alambres de la armadura o para las escobillas pueden ser de colores sólidos o blanco con una franja a color.
2. Los colores de alambre en paréntesis representan los códigos de color europeos. Los cordones europeos son iguales, con la excepción del enchufe.

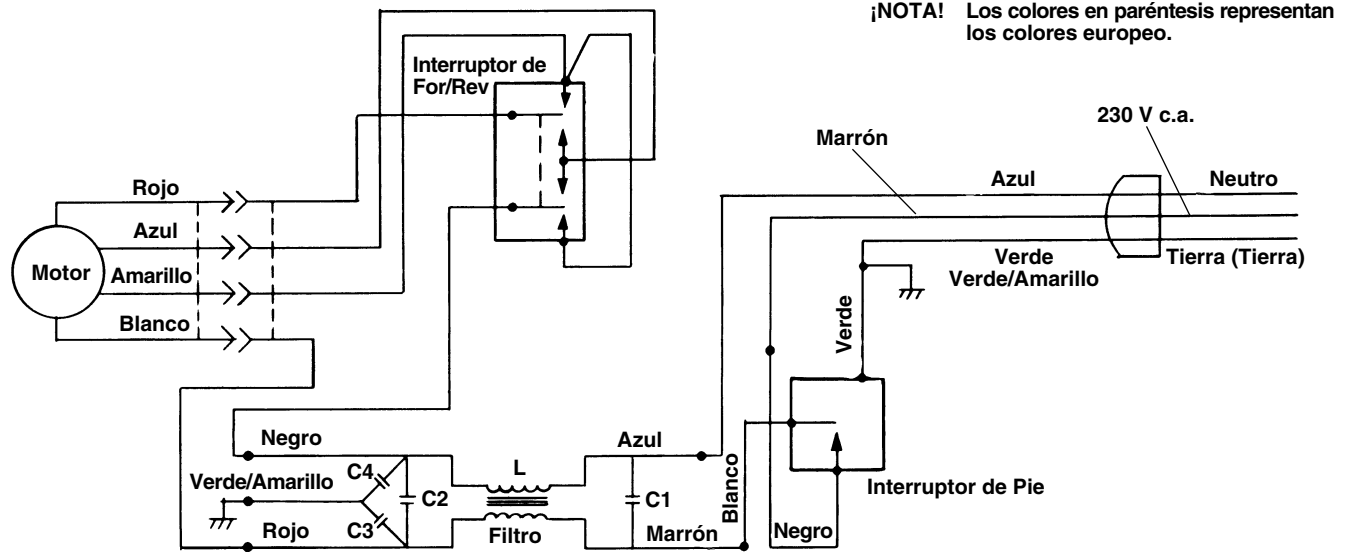


Esquema de cableado (115/230V)

¡NOTA! Los colores en paréntesis representan el código de colores europeo.



Esquema de cableado (230V) con filtro en línea



What is covered

RIDGID® tools are warranted to be free of defects in workmanship and material.

How long coverage lasts

This warranty lasts for the lifetime of the RIDGID® tool. Warranty coverage ends when the product becomes unusable for reasons other than defects in workmanship or material.

How you can get service

To obtain the benefit of this warranty, deliver via prepaid transportation the complete product to RIDGE TOOL COMPANY, Elyria, Ohio, or any authorized RIDGID® INDEPENDENT SERVICE CENTER. Pipe wrenches and other hand tools should be returned to the place of purchase.

What we will do to correct problems

Warranted products will be repaired or replaced, at RIDGE TOOL'S option, and returned at no charge; or, if after three attempts to repair or replace during the warranty period the product is still defective, you can elect to receive a full refund of your purchase price.

What is not covered

Failures due to misuse, abuse or normal wear and tear are not covered by this warranty. RIDGE TOOL shall not be responsible for any incidental or consequential damages.

How local law relates to the warranty

Some states do not allow the exclusion or limitation of incidental or consequential damages, so the above limitation or exclusion may not apply to you. This warranty gives you specific rights, and you may also have other rights, which vary, from state to state, province to province, or country to country.

No other express warranty applies

This FULL LIFETIME WARRANTY is the sole and exclusive warranty for RIDGID® products. No employee, agent, dealer, or other person is authorized to alter this warranty or make any other warranty on behalf of the RIDGE TOOL COMPANY.



Parts are available online at RIDGIDParts.com



Ridge Tool Company

400 Clark Street
Elyria, Ohio 44035-6001
U.S.A.

Ce qui est couvert

Les outils RIDGID® sont garantis contre tous vices de matériaux et de main d'oeuvre.

Durée de couverture

Cette garantie est applicable durant la vie entière de l'outil RIDGID®. La couverture cesse dès lors que le produit devient inutilisable pour raisons autres que des vices de matériaux ou de main d'oeuvre.

Pour invoquer la garantie

Pour toutes réparations au titre de la garantie, il convient d'expédier le produit complet en port payé à la RIDGE TOOL COMPANY, Elyria, Ohio, ou bien le remettre à un réparateur RIDGID® agréé. Les clés à pipe et autres outils à main doivent être ramenés au lieu d'achat.

Ce que nous ferons pour résoudre le problème

Les produits sous garantie seront à la discrétion de RIDGE TOOL, soit réparés ou remplacés, puis réexpédiés gratuitement ; ou si, après trois tentatives de réparation ou de remplacement durant la période de validité de la garantie le produit s'avère toujours défectueux, vous aurez l'option de demander le remboursement intégral de son prix d'achat.

Ce qui n'est pas couvert

Les défaillances dues au mauvais emploi, à l'abus ou à l'usure normale ne sont pas couvertes par cette garantie. RIDGE TOOL ne sera tenue responsable d'aucuns dommages directs ou indirects.

L'influence de la législation locale sur la garantie

Puisque certaines législations locales interdisent l'exclusion des dommages directs ou indirects, il se peut que la limitation ou exclusion ci-dessus ne vous soit pas applicable. Cette garantie vous donne des droits spécifiques qui peuvent être éventuellement complétés par d'autres droits prévus par votre législation locale.

Il n'existe aucune autre garantie expresse

Cette GARANTIE PERPETUELLE INTEGRALE est la seule et unique garantie couvrant les produits RIDGID®. Aucun employé, agent, distributeur ou tiers n'est autorisé à modifier cette garantie ou à offrir une garantie supplémentaire au nom de la RIDGE TOOL COMPANY.

Qué cubre

Las herramientas RIDGID® están garantizadas contra defectos de la mano de obra y de los materiales empleados en su fabricación.

Duración de la cobertura

Esta garantía cubre a la herramienta RIDGID® durante toda su vida útil. La cobertura de la garantía caduca cuando el producto se torna inservible por razones distintas a las de defectos en la mano de obra o en los materiales.

Cómo obtener servicio

Para obtener los beneficios de esta garantía, envíe mediante porte pagado, la totalidad del producto a RIDGE TOOL COMPANY, en Elyria, Ohio, o a cualquier Servicentro Independiente RIDGID®. Las llaves para tubos y demás herramientas de mano deben devolverse a la tienda donde se adquirieron.

Lo que hacemos para corregir el problema

El producto bajo garantía será reparado o reemplazado por otro, a discreción de RIDGE TOOL, y devuelto sin costo; o, si aún resulta defectuoso después de haber sido reparado o sustituido tres veces durante el periodo de su garantía, Ud. puede optar por recibir un reembolso por el valor total de su compra.

Lo que no está cubierto

Esta garantía no cubre fallas debido al mal uso, abuso o desgaste normal. RIDGE TOOL no se hace responsable de daño incidental o consiguiente alguno.

Relación entre la garantía y las leyes locales

Algunos estados de los EE.UU. no permiten la exclusión o restricción referente a daños incidentales o consiguientes. Por lo tanto, puede que la limitación o restricción mencionada anteriormente no rija para Ud. Esta garantía le otorga derechos específicos, y puede que, además, Ud tenga otros derechos, los cuales varían de estado a estado, provincia a provincia o país a país.

No rige ninguna otra garantía expresa

Esta GARANTIA VITALICIA es la única y exclusiva garantía para los productos RIDGID®. Ningún empleado, agente, distribuidor u otra persona está autorizado para modificar esta garantía u ofrecer cualquier otra garantía en nombre de RIDGE TOOL COMPANY.

We
Build
Reputations™

RIDGID®


EMERSON™
Commercial & Residential Solutions

EMERSON. CONSIDER IT SOLVED.™