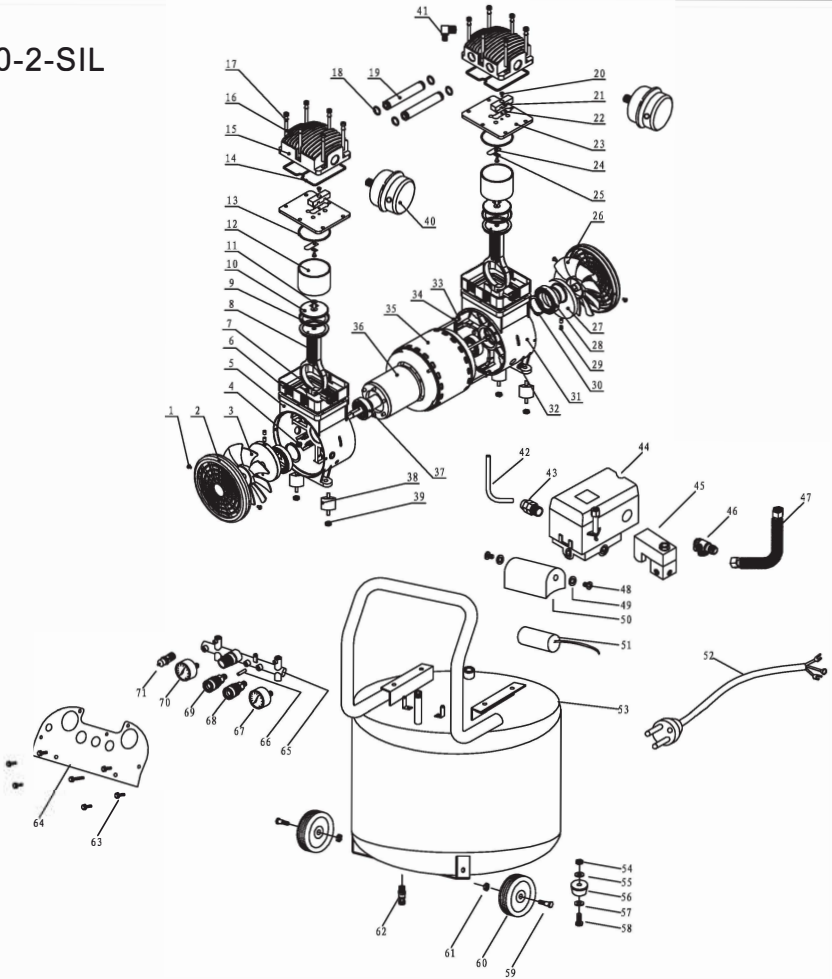


# 10-2-SIL



## part list

01 self tapping	11 bolt	21 limitedblock	31 right: canckase	41 elbow	51 capacitor	61 nut	71 safety valve
02 covery	12 cylinder	22 valve	32 protectionring	42 Rubber tube	52 plug	62 drain cock	
03 left fan	13 obturatingring	23 valve plate	33 bolt	43 connect	53 tank	63 bolt	
04 nut	14 obturatingring	24 valve	34 spring	44 pressureswitch	54 nut	64 Panel	
05 leftcrankcase	15 cylinder head	25 washer	35 rotator	45 Electromagnetic valve	55 washer	65 Support	
06 Abjustingwasher	16 bolt	26 right fan	36 stator	46 checkvalve	56 cushion foot	66 Adjust holder	
07 bolt	17 spring	27 shaft seal	37 bearing6204-2Z	47 pipe	57 washer	67 50gauge	
08 connectingrod	18 obturatingring	28 bearing6908-2Z	38 vibrationcolumn	48 bolt	58 bolt	68 Deflationvalve	
09 piston cup	19 connectingpipe	29 bolt	39 spring	49 washer	59 bolt	69 Deflationvalve	
10 Binder plate	20 bolt	30 washer	40 air filter	50 capacitor cover	60 wheel	70 50gauge	