



ROLAIR®

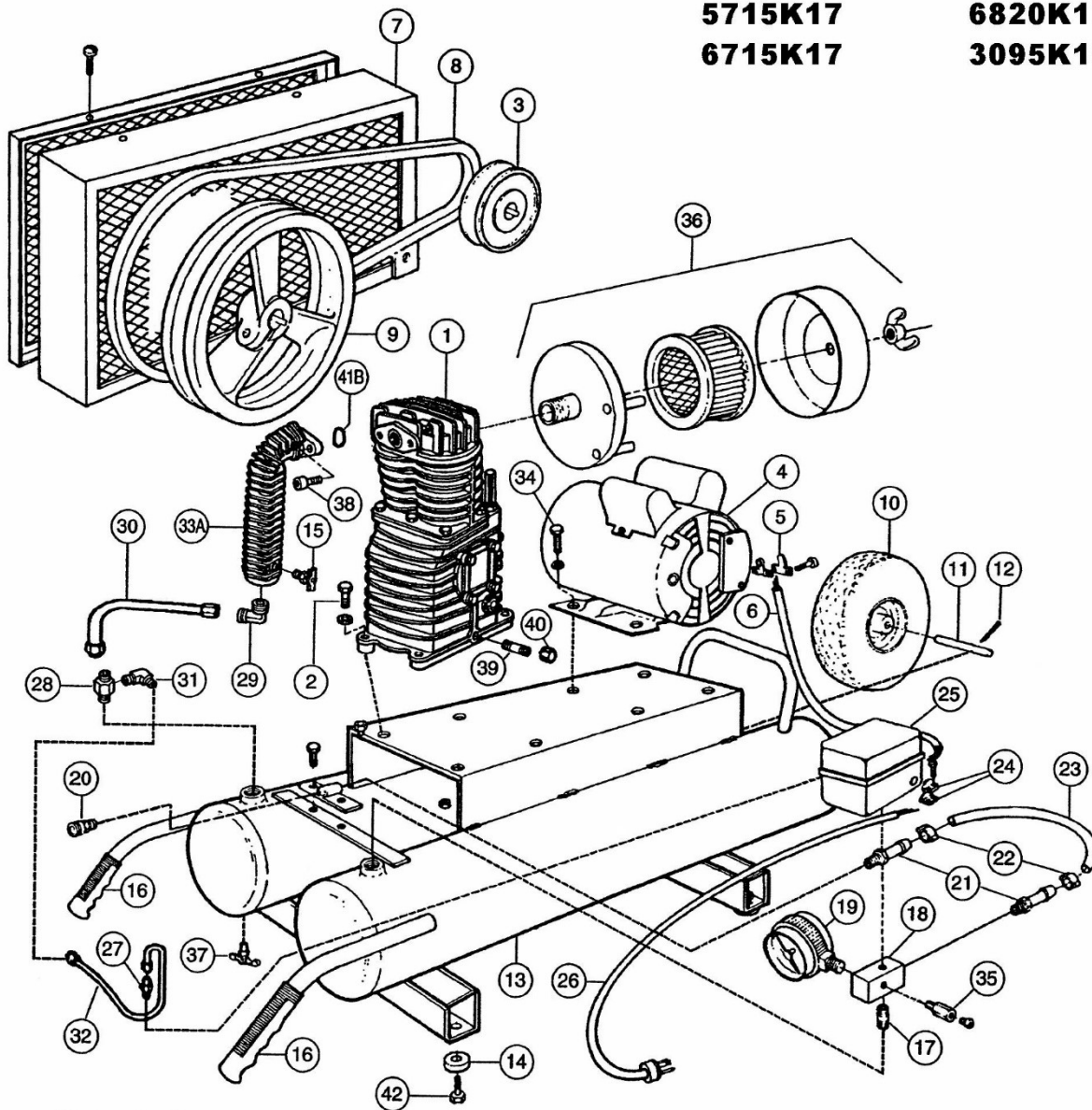
SCHEMATIC FOR MODELS

5715K17

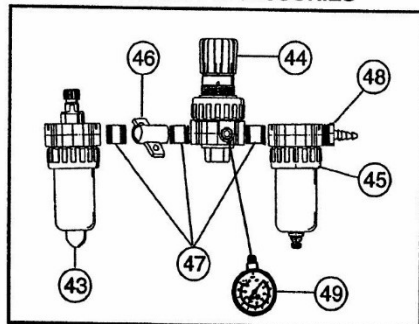
6820K17

6715K17

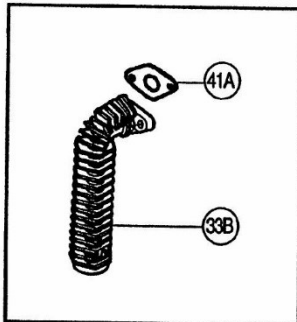
3095K18

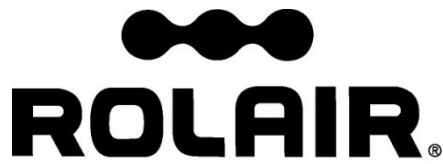


OPTIONAL ACCESSORIES



Production Prior to Feb. 2000





S Y S T E M S

PARTS LIST FOR MODELS

5715K17 6820K17

6715K17 3095K18

Schem #	Description	Part #	Qty.	Schem #	Description	Part #	Qty.
1	Twin Cylinder Pump With Flywheel	PMP12K17CH	1	26	Cord w/110V Plug - Models 5715K17, 6715K17 & 6820K17	170	1
	Twin Cylinder Pump With Flywheel – Model 3095K18 Only	PMP12K18CH	1		Cord with 220V Plug - Model 3095K18	175	1
2	Bolt	MIS10023	4	27	Pressure Switch Relief Valve	PS2020RV	1
3	Motor Pulley	Specify Model	1		Pressure Switch Relief Valve – Model 3095K18 Only	PS4040RV	1
4	1.5 HP Motor – Models 5715K17 & 6715K17	MTRC101	1	28	Check Valve (Before S/N 15080001)	N.L.A.	
	1.5 HP Motor w/Dual-Voltage Switch	MTRC102	1		Check Valve (After S/N 15080001)	CV4X4T-A175	1
	2 HP Motor – Model 6820K17	MTRD103	1	29	Brass Elbow	BREL0500X050039	1
	3 HP Motor – Model 3095K18	MTRE101	1	30	Discharge Tube	SPECIFY MODEL	1
5	Box Connector	161A	2	31	Brass Elbow	BREL0250X012539	1
6	Cord	173A	1	32*	1/4" Nylon Tubing – 15.6" - Models 5715K17, 6715K17 & 6820K17	178D	1.3'
7	Belt-Guard Base (Before S/N 11070001)	***N.L.A.			Brass Nut	BRNT0250	2
	Belt-Guard Base (After S/N 11070001)	BG566A	1		Brass Sleeve	BRSL0250	2
7	Belt-Guard Cover (Before S/N 11070001)	***N.L.A.			Brass Ring	BRRG0250	2
	Belt-Guard Cover (After S/N 11070001)	BG567	1		1/4" Copper Tubing – 18" - Model 3095K18	CTUBE14	1.5'
8	Belt	Specify Model	1		Brass Nut	BRNT0250	2
9	Flywheel	31007280CH	1		Brass Ring	BRRG0250	2
10	Foam-Filled Flat-Free Tire	WLS50	1		33A	Aftercooler	3290146ACH
11	Axle	181	1	33B	Aftercooler	USE 3290146ACH	1
12	Cotter Pin	181A	2	34	Bolt	MIS10022	6
13	Twin Tank Assembly	Specify Model	1	35	Safety Relief Valve	SRV0250N165	1
14	Rubber Foot	219	4	36	Silencer/Filter Assembly	FS14050	1
15	Drain Valve	132	1		Filter Element – Replacement for Above	431	1
16	Handle Grip	328	2	37	Drain Valve	132BV	2
17	Nipple	BLNP0500X1500	1	38	Bolt	37302530CH	2
18	Aluminum Block Manifold**	154	1	39	Nipple	BLNP0250X1500	1
19	Gauge – Tank	GA0250200GC	1	40	Cap	BLCA0250	1
20	Quick Disconnect (Optional)	309A	1	41A	Gasket	30501490CH	1
21	Brass Coupler	BRCP0375X0375H12	2	41B	O-Ring	30502510CH	1
22	Hose Clamp	177A	2	42	Screw	MIS10008	4
23	3/8" Rubber Hose – 16"	178A	1.34'	(Accessories)			
24	Box Connector	161	1	43	Lubricator	LUB0375	1
25	Pressure Switch	PS2020M	1	44	Regulator	REG0375	1
	Pressure Switch – Model 3095K18 Only	PS4040	1	45	Filter	FIL0375	1
				46	Accessory Bracket	210	1
				47	Nipple	BLNP0375X1500	3
				48	Brass Coupler	BRCP0375X0375H12	1
				49	Gauge - Line	GA0250200GC	1

*Note: Nylon & Copper Tubing are sold by the foot; may be ordered in bulk lengths.

**Order part #154D if unit is built with dual controls.

***Units built prior to July 2011, order complete belt guard; part numbers BG566A and BG567.

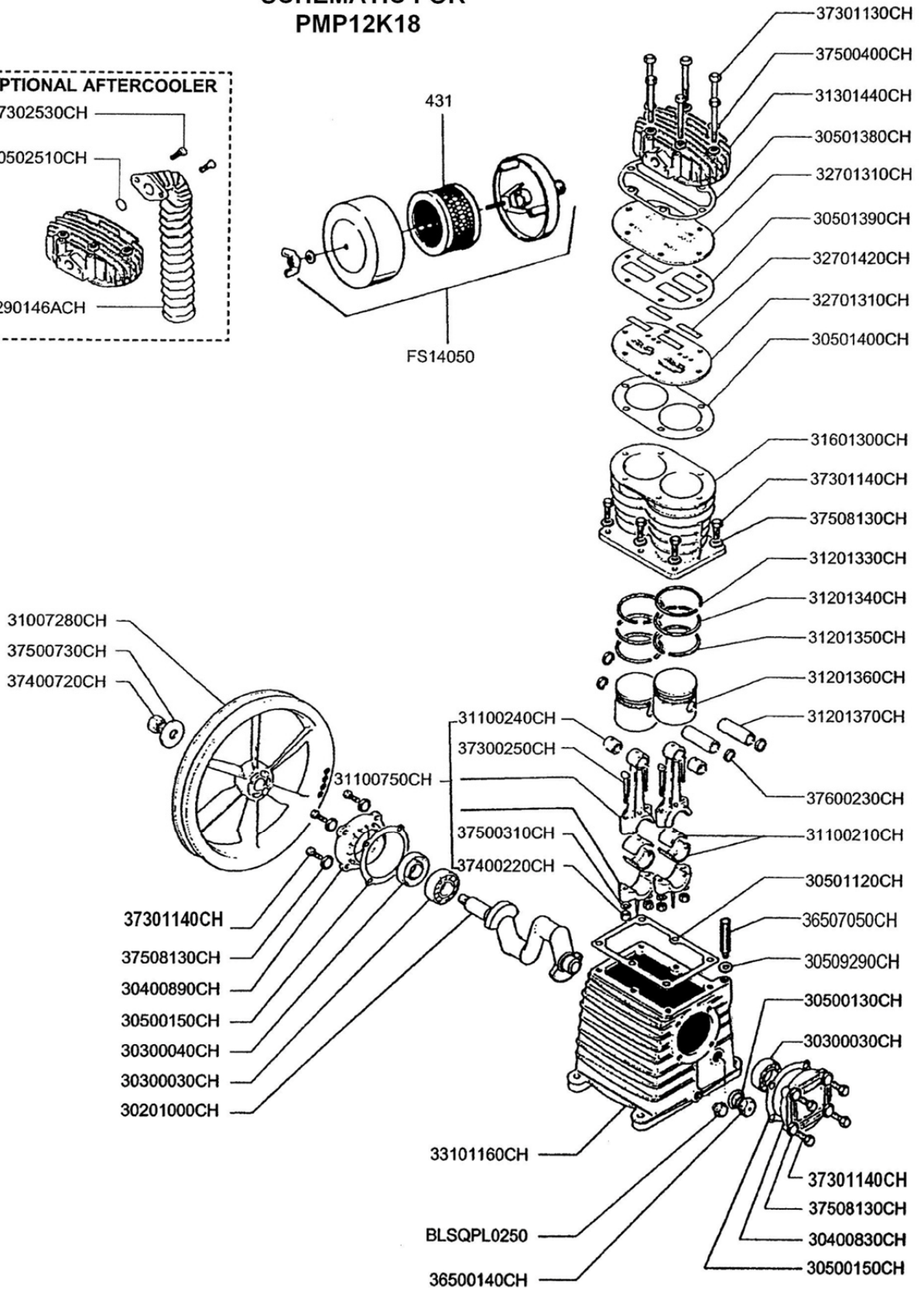
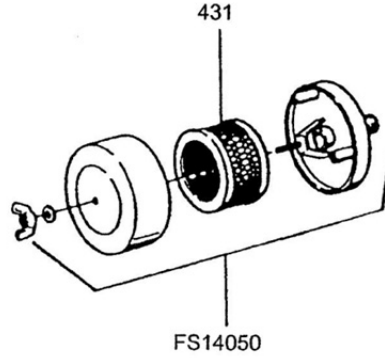
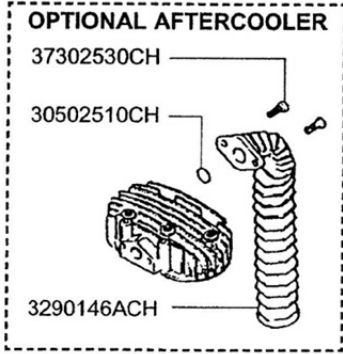
As an additional safety measure, twin-tank electric models built after August 1, 2015 include additional safety valve on check valve.

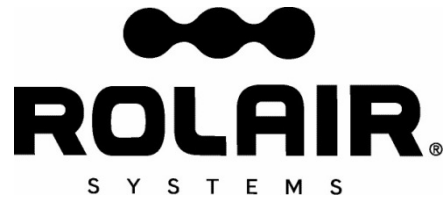


606 South Lake Street > P.O. Box 346 > Hustisford, WI 53034-0346 > 920.349.3281 > fax 920.349.3691 > www.rolair.com

ROLAIR®

SCHEMATIC FOR PMP12K18





PARTS LIST FOR PMP12K18

Description	Part #	Qty.	Description	Part #	Qty.
Crankshaft	30201000CH	1	Valve	32701420CH	4
Bearing	30300030CH	2	Crankcase	33101160CH	1
Oil Seal	30300040CH	1	Sight Gauge	36500140CH	1
Bearing Carrier	30400830CH	1	3/8" Breather/Oil Fill	36507050CH	1
Bearing Carrier	30400890CH	1	Plug		
Gasket	30500130CH	1	Bolt	37300250CH	4
Gasket	30500150CH	2	Bolt	37301130CH	6
O-Ring	30509290CH	1	Bolt	37301140CH	6
Gasket	30501120CH	1	Nut	37400220CH	4
Gasket	30501380CH	1	Nut	37400720CH	1
Gasket	30501390CH	1	Washer	37500310CH	4
Gasket	30501400CH	1	Washer	37500400CH	6
Flywheel	31007280CH	1	Washer	37500730CH	1
Bearing Shell	31100210CH	2	Washer	37508130CH	14
Bushing*	31100240CH	2	Snap Ring	37600230CH	4
Connecting Rod w/Upper Bushing	31100750CH	2	Filter Element	431	1
Ring	31201330CH	2	Plug	BLSQPL0250	1
Ring	31201340CH	2	Silencer/Filter Assembly	FS14050	1
Ring	31201350CH	2	Ring Set	K18RINGS	1
Piston	31201360CH	2	Gasket Set	K18GASKETS	1
Piston Pin	31201370CH	2	Valve Plate Assembly	1800VK18	1
Head	31301440CH	1			
Cylinder	31601300CH	1			
Valve Plate	32701310CH	2			
OPTIONS-			NOTE: Gasket for "old-style" Aftercooler	30501490CH	1
O-Ring	30502510CH	1			
Aftercooler	3290146ACH	1			
Bolt	37302530CH	2			

*Bushing is not machined to fit piston pin if ordered separate from connecting rod.

