



SERVICE PARTS LIST

BULLETIN NO.
54-22-1160

SPECIFY CATALOG NO. AND SERIAL NO. WHEN ORDERING PARTS		REVISED BULLETIN	DATE
8" TUCK POINT GRINDER			Jan. '83
CATALOG NO. 5263	STARTING SERIAL NO. 690-1001	WIRING INSTRUCTION 58-01-0307	
CAT. NO. 5263-6	START SER. NO. 690-1001	BILINGUAL LABEL 10-98-6100	

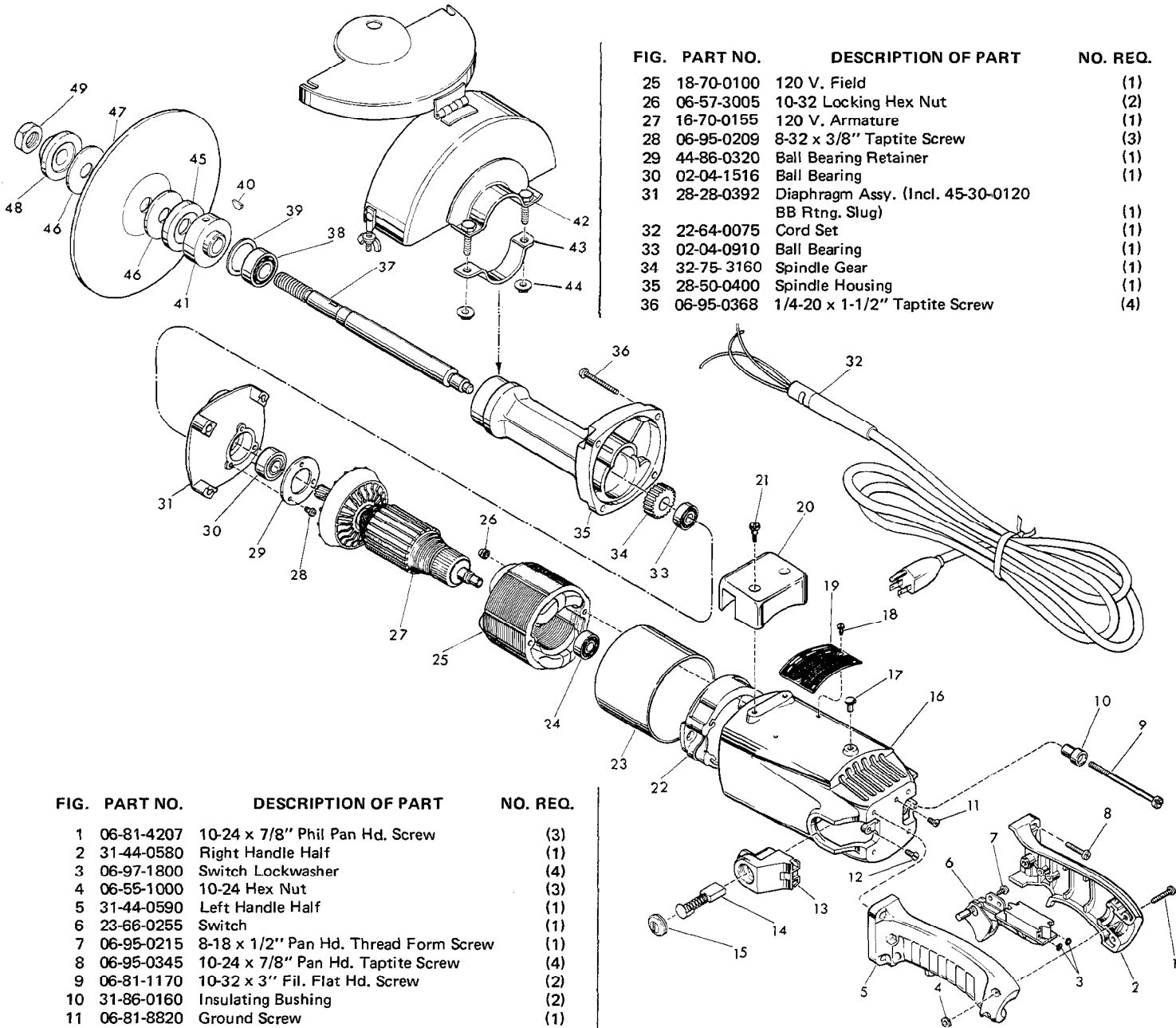


FIG.	PART NO.	DESCRIPTION OF PART	NO. REQ.
25	18-70-0100	120 V. Field	(1)
26	06-57-3005	10-32 Locking Hex Nut	(2)
27	16-70-0155	120 V. Armature	(1)
28	06-95-0209	8-32 x 3/8" Taptite Screw	(3)
29	44-86-0320	Ball Bearing Retainer	(1)
30	02-04-1516	Ball Bearing	(1)
31	28-28-0392	Diaphragm Assy. (Incl. 45-30-0120 BB Rtnng. Slug)	(1)
32	22-64-0075	Cord Set	(1)
33	02-04-0910	Ball Bearing	(1)
34	32-75-3160	Spindle Gear	(1)
35	28-50-0400	Spindle Housing	(1)
36	06-95-0368	1/4-20 x 1-1/2" Taptite Screw	(4)

FIG.	PART NO.	DESCRIPTION OF PART	NO. REQ.
1	06-81-4207	10-24 x 7/8" Phil Pan Hd. Screw	(3)
2	31-44-0580	Right Handle Half	(1)
3	06-97-1800	Switch Lockwasher	(4)
4	06-55-1000	10-24 Hex Nut	(3)
5	31-44-0590	Left Handle Half	(1)
6	23-66-0255	Switch	(1)
7	06-95-0215	8-18 x 1/2" Pan Hd. Thread Form Screw	(1)
8	06-95-0345	10-24 x 7/8" Pan Hd. Taptite Screw	(4)
9	06-81-1170	10-32 x 3" Fil. Flat Hd. Screw	(2)
10	31-86-0160	Insulating Bushing	(2)
11	06-81-8820	Ground Screw	(1)
12	06-95-0209	8-32 x 3/8" Taptite Screw	(2)
13	22-22-0400	Brush Holder Assy.	(2)
14	22-18-0145	Carbon Brush Assy.	(2)
15	23-44-0140	Brush Retaining Screw	(2)
16	28-50-5175	Motor Housing Assy. (Incl. 45-30-0120 BB Rtnng. Slug)	(1)
17	06-77-1350	14-9 x 1/4" Drive Screw	(1)
18	06-85-0200	Nameplate Screw	(2)
19	12-99-0240	Nameplate Blank	(1)
20	31-70-0135	Tool Rest	(1)
21	45-04-0530	Shoulder Screw	(2)
22	31-55-0110	Coil Shield	(1)
23	23-16-0950	Insulating Sleeve	(1)
24	02-04-0911	Ball Bearing	(1)

37	38-50-5280	Spindle	(1)
38	02-04-1746	Ball Bearing	(1)
39	34-80-2700	Internal Retaining Ring	(1)
40	06-42-1200	Woodruff Key	(1)
41	43-34-0320	Inner Wheel Flange	(1)
42	49-12-0310	8" Wheel Guard (Incl. Ref. Nos. 43 & 44)	(1)
43	42-68-0230	Clamp	(1)
44	06-57-5040	5/16-18 Lock Nuts	(2)
45	45-36-1190	Spacer	(1)
46	45-88-0260	Flange Rubber Washer	(2)
47	-	8" Tuck Point Wheel (Select From Catalog)	(1)
48	43-34-0330	Outer Wheel Flange	(1)
49	06-55-3250	5/8-11 Hex Nut	(1)
50	49-96-7230	Spanner Wrench (Not Shown)	(1)