



3-Amp 9.45-Inch Electric Grass Trimmer

Model No. TRJ609E

Form No. SJ-TRJ609E-880E

A Division of Snow Joe®, LLC

OPERATOR'S MANUAL

IMPORTANT!

Safety Instructions

All Operators Must Read These Instructions Before Use

⚠ CAUTION!

Before using this electric tool, carefully read and observe the safety rules and instructions listed below. Before starting work, make sure that you know how to stop the machine in case of an emergency. The incorrect use of this machine could cause serious injury. Keep these instructions in a safe place and on hand so that they can be consulted when required.

⚠ CAUTION!

The electric grass trimmer should only be used for cutting lawns and for trimming along the borders of flower beds. Other uses of the trimmer that are not indicated in these instructions could damage the trimmer or seriously injure the operator.

GENERAL Safety Rules

- The electric grass trimmer must not be used by anyone under the age of 16.
- Always make sure the trimmer is in proper working condition before use.
- Before connecting the trimmer to the electric outlet, make sure that the rotating parts are not damaged.
- Do not use the trimmer if the cutting device is not secured properly or is damaged.
- Before starting the trimmer, make sure that the trimmer line is not touching stones or debris.
- Always wear suitable clothing when using the trimmer to prevent head, hand, and/or feet injuries. Use a helmet, safety spectacles or goggles at all times when operating this tool. High boots (or sturdy shoes and trousers) and work gloves are recommended.
- When the trimmer is in operation, keep the cutting section away from all parts of the body.
- Do not start the trimmer when it is upside down or when it is not in the proper working position.
- **Turn the trimmer off and disconnect the plug when:** the trimmer is not in use; it is left unattended; it is being examined because it is not working correctly; the power supply cable is damaged; the trimming line spool is being

removed or changed or when the trimmer is being moved from one place to another.

- Children and other spectators, including pets, should be kept at least 50 feet (15 meters) away from the work area. When the grass is cut, stones and debris contained in the grass can be picked up by the trimmer and subsequently dispersed into the air. These flying projectiles can cause blindness or other bodily injury.
- Remain in a stable and secure position when operating the trimmer.
- Keep the cutting area free of wires, stones, and debris.
- Do not cut against hard objects. This could cause injury or damage the trimmer.
- Use the edge of the guard to keep the trimmer away from walls, surfaces, delicate objects and other miscellaneous items.

⚠ CAUTION!

The safety guard is critical to the safety of the operator and the safety of people standing within a safe distance of the trimmer. The safety guard keeps the trimmer in good working order and must always be in place during operation. Failure to have the guard in place during operation is dangerous and will void the warranty.

- **Keep away from the cutting line** – It can seriously injure the skin.
- **Avoid accidentally starting** – Do not carry plugged-in tool with finger on the trigger. Make sure the switch is off before plugging in the tool.
- **Do not force the tool** – It will do the job better and with less likelihood of injury if it is used at the rate for which it is designed.
- **Use the right tool** – Do not use this tool for any job except that for which it is intended.
- **Do not overreach** – Keep proper footing and balance at all times.
- **Do not try to stop the cutting device with your hands** – Always let it come to a stop by itself.

⚠ CAUTION!

The trimmer line spool will continue to rotate after turning the trimmer OFF. Wait until the trimmer line spool has completely stopped before making contact.

- Only use the same type of line originally provided with the trimmer.
- Do not use the trimmer to cut grass that is not in contact with the ground.

- Do not switch the grass trimmer on in enclosed or poorly ventilated spaces or in the presence of flammable and/or explosive substances such as liquids, gases, and powders.
- The user of the grass trimmer is responsible for any damage sustained by third parties that has been caused by the grass trimmer within the working area.
- Only cut during broad daylight or with adequate artificial light.
- Do not cross roads or gravel paths while the trimmer is still running.
- When the trimmer is not in use, store it in a dry place and out of the reach of children.
- The trimmer must be operated in a vertical position, perpendicular to the ground.
- Check regularly that all screws are properly secured.

Electrical Safety Rules

- The voltage must correspond to the one marked on the technical data plate (120 V~60 Hz). Do not use other sources of power.
- The power line should have a circuit breaker no lower than 10 A. Consult an electrician if this is not the case.
- **Do not abuse the cord** – Never carry the tool by the cord or yank the cord to disconnect it from the receptacle. Keep cord away from heat, oil, and sharp edges.
- Never pass the grass trimmer over the extension cord when the grass trimmer is in use as this could cut the cord. Make sure you know where the cord is at all times.
- Use the special cord holder to connect the extension cord.
- Never use the trimmer when it is raining or when excessively moist and humid conditions present. Do not cut damp grass or leave the trimmer outside overnight.
- The power supply cable should be checked regularly to make sure it is perfectly intact without any signs of wear or damage. If the cable is not in good condition, do not use the trimmer.
- Only use an extension cable that is rated for outdoor use. Keep the extension cord away from the cutting area, sharp edges, heat, fuels and damp, oily surfaces.
- **⚠WARNING!** To reduce the risk of electric shock, use only with an extension cord intended for outdoor use, such as an extension cord of cord type SW-A, SOW-A, STW-A, STOW-A, SJW-A, SJOW-A, SJTW-A, or SJTOW-A.
- **Damage to unit** – If the trimmer strikes a foreign object or becomes entangled with it, stop the tool immediately. Unplug it, check for damage and have any damage repaired before further operation is attempted. Do not operate the trimmer with a broken hub or spool.
- **Damage to cord** – Keep power cord away from the rotating line. If you damage the cord, unplug it from the power supply before moving the tool or examining the damage. A damaged cord must be replaced before further use.
- **Disconnect the tool** – Turn the trimmer off and disconnect the plug when the trimmer is not in use, when replacing the line, or prior to performing any maintenance task.
- **Avoid dangerous environmental conditions** – Do not use electric tools in damp or wet locations. Do not use the tool in the rain. Follow all instructions in this manual for proper operation of your tool.
- **Do not operate portable electric tools in a gaseous or explosive atmosphere** – Motors in these tools normally spark, and the sparks might ignite fumes.
- **Store idle tools indoors** – When not in use, tools should be stored indoors in a dry, locked-up place out of the reach of children.
- **Ground fault circuit interrupter (GFCI)** protection should be provided on the circuits or outlets to be used for this gardening appliance. Receptacles are available having built in GFCI protection and may be used for this measure of protection.
- **Secure extension cord** – Use the cord retainer shown in Figure 4.
- **STAY ALERT** – Watch what you are doing. Use common sense. Do not operate the trimmer when you are tired or under the influence of alcohol or drugs.
- **Maintain appliances with care** – Follow instructions for lubricating and changing accessories. Inspect extension cords periodically and replace if damaged. Keep handles dry, clean and free from oil and grease.
- **Check for damaged parts** – Before further use of the appliance, a guard or other part that is damaged should be carefully checked to determine that it will operate properly and perform its intended function.
Check for alignment of moving parts, binding of moving parts, breakage of parts, mounting, and any other condition that may affect the trimmer's operation. A guard or other part that is damaged should be properly repaired or replaced by an authorized service center unless indicated otherwise in this manual.

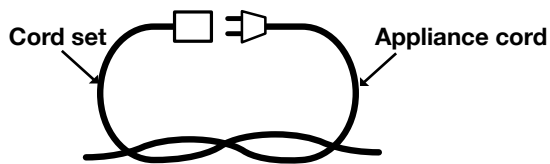
Extension Cords

- Make sure your extension cord is in good condition. When using an extension cord, be sure to use one heavy enough to carry the current your product will draw. An undersized cord will cause a drop in line voltage resulting in loss of power and overheating. Table 1 shows the correct size to use depending on cord length and nameplate Ampere rating. If in doubt, use the next heavier gauge. The smaller the gauge number, the heavier the cord.
- Ground Fault Circuit Interrupter (GFCI) protection should be provided on the circuits or outlets to be used for this electric trimmer. Receptacles are available with built-in GFCI protection and may be used for this measure of safety.
- Use only UL listed extension cords. Inspect the extension cord before use and never use damaged or altered extension cords. Follow the extension cord manufacturer's safety instructions.
- To prevent the appliance cord from disconnecting from the extension cord during operation, use the plug-receptacle retaining straps provided or make a knot with the two cords as shown in Table 2.

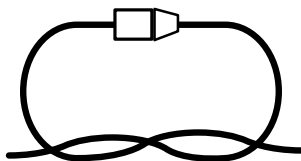
Table 1. Minimum Recommended Extension Cord Gauge (AWG) Chart

Volts	Total length of cord in feet			
	25	50	100	150
120V	25	50	100	150
Ampere Rating	AWG (Extension Cord Gauge)			
0 – 6	18	16	16	14
6 – 10	18	16	14	12
10 – 12	16	16	14	12
12 – 16	14	12	Not Recommended	

Table 2. Method of Securing Extension Cord




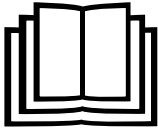



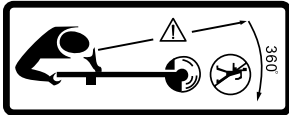
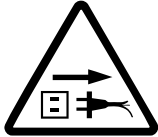
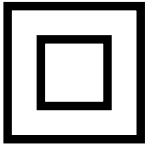
(A) Tie cord as shown



(B) Connect plug and receptacle

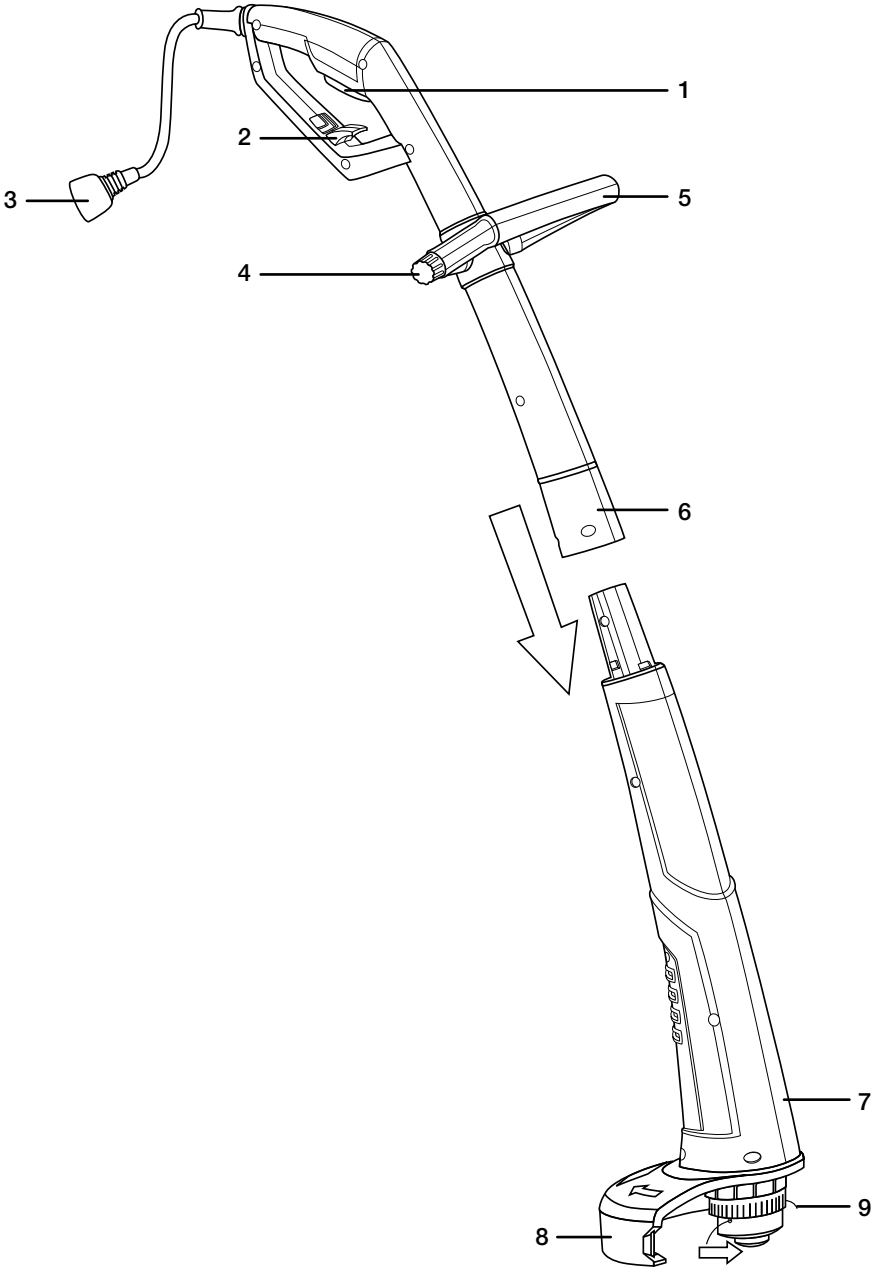
Safety Symbols

The following table depicts and describes safety symbols that may appear on this product. Read, understand, and follow all instructions on the machine before attempting to assemble and operate.

Symbol	Description
	<p>SAFETY ALERT – Indicates a precaution, a warning or a danger.</p>
	<p>READ THE OPERATOR’S MANUAL(S) – Read, understand and follow all instructions in the manual(s) before attempting to assemble and operate.</p>
	<p>WARNING! Keep out of rain and away from wet areas.</p>
	<p>For protection against injury, wear safety goggles and ear protection.</p>
	<p>Wear protective gloves and non-slip footwear when using the machine and handling debris.</p>
	<p>DANGER! Beware of thrown objects to bystanders. Keep bystanders at least 15 m (50 ft) away from the machine.</p>
	<p>WARNING! Remove the plug from the mains if cable is damaged or cut and replace damaged cord immediately.</p>
	<p>DOUBLE INSULATION – When servicing, use only identical replacement parts.</p>

Know Your Electric Grass Trimmer

- 1. ON/OFF switch
- 2. Cable restraint
- 3. Power cord
- 4. Handle knob
- 5. Auxiliary handle
- 6. Upper handle
- 7. Motor housing
- 8. Safety guard
- 9. Spool



Technical Data

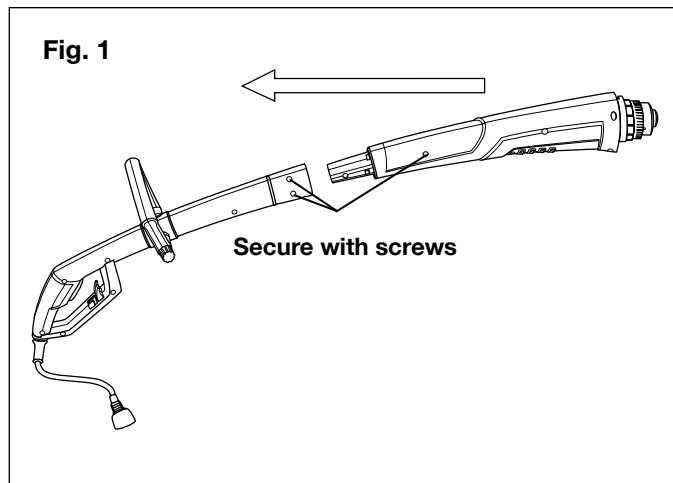
Rated Voltage	120 V – 60 Hz	Line Diameter	0.055 in. (1.4 mm)
Rated Power	3 amp	Spool Length	16.4 ft (5 m)
Maximum Cutting Diameter	9.45 in. (24 cm)	Spool Advance	Bump Feed
No Load Speed	12,000/min		

Assembly

Before assembly, make sure that the tool is switched off and unplugged.

Fitting the handle

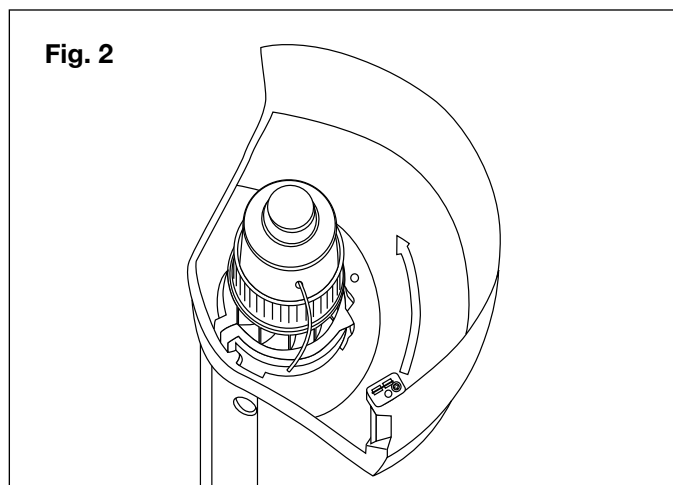
1. Insert the motor housing into the handle until it locks securely in place (Fig. 1).
2. Secure the handle with the screws provided (Fig. 1).



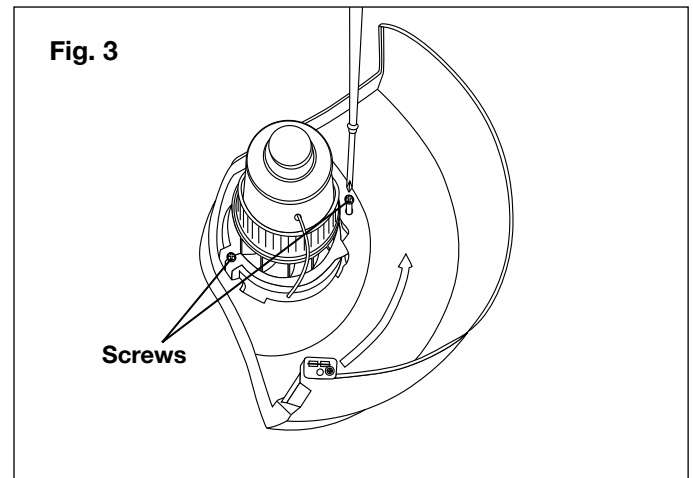
Fitting the safety guard

⚠ WARNING! The guard must be properly installed. The guard provides partial protection to the operator and other bystanders from the risk of thrown objects.

1. Fix the safety guard to the trimmer head, making sure the sides are located along the grooves on the trimmer head (Fig. 2).

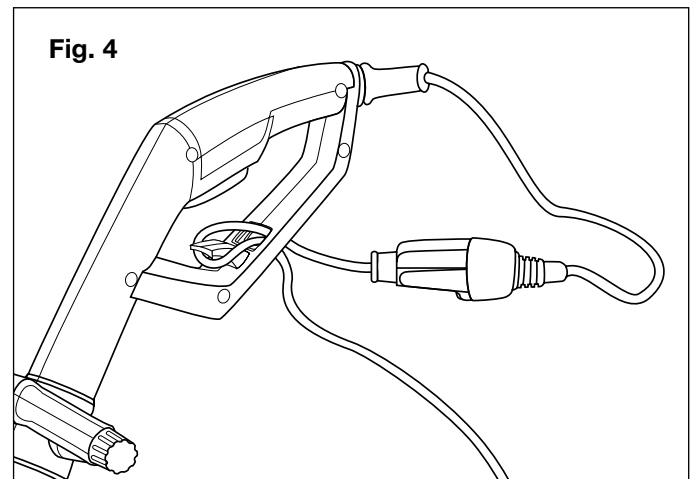


2. Secure the safety guard onto the trimmer head with the screws provided (Fig. 3).



Preparing the trimmer for use

Mains supply cable strain relief



1. In order to reduce strain on the cable inlet, form a loop and hook the cable around the strain relief arm (Fig. 4).

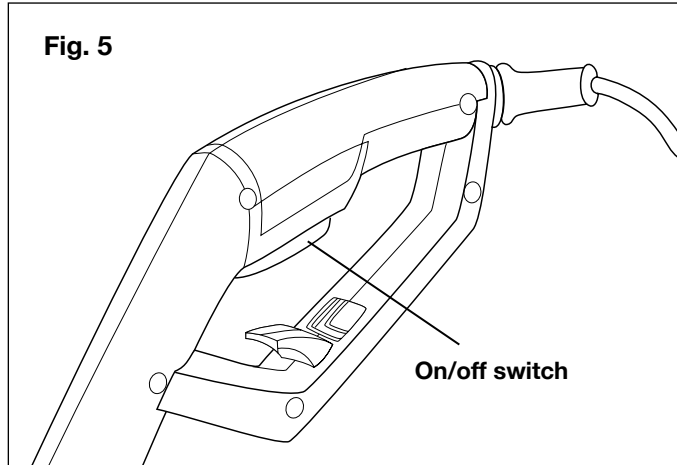
Operation

⚠ WARNING! Remove stones, loose pieces of wood and other objects from the cutting area. The blade continues to rotate for a few seconds after the trimmer is switched off. Let the motor come to a complete stop before switching the trimmer back on. Do not rapidly switch the trimmer off and on.

⚠ CAUTION! Always wear eye protection.

On/off switch

1. To switch on the trimmer, press and hold the trigger. Release the trigger to stop (Fig. 5).

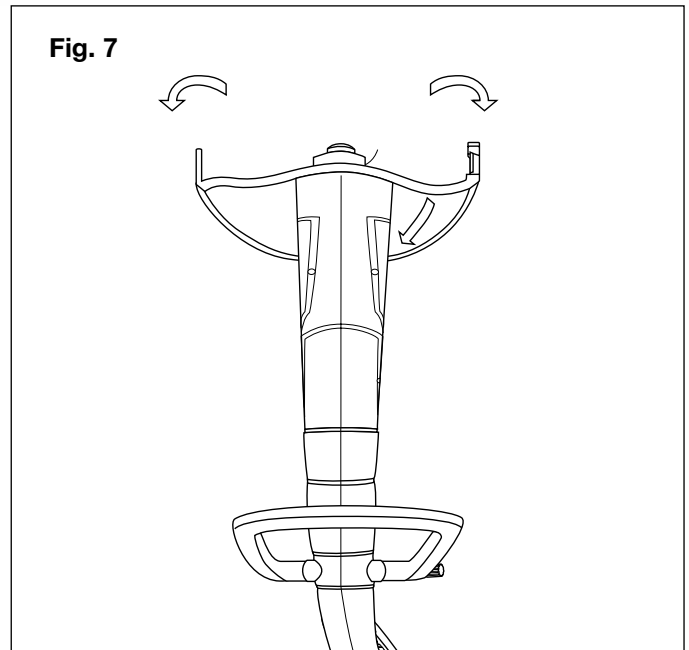


Trimming

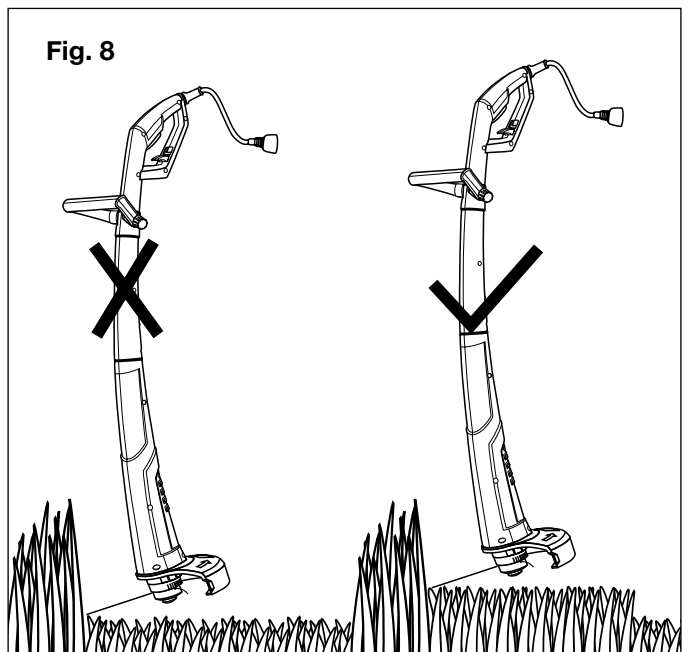
1. Hold the trimmer at an angle of approximately 15-degrees to the working area (Fig. 6).



2. Slowly swing the trimmer from side to side (Fig. 7).

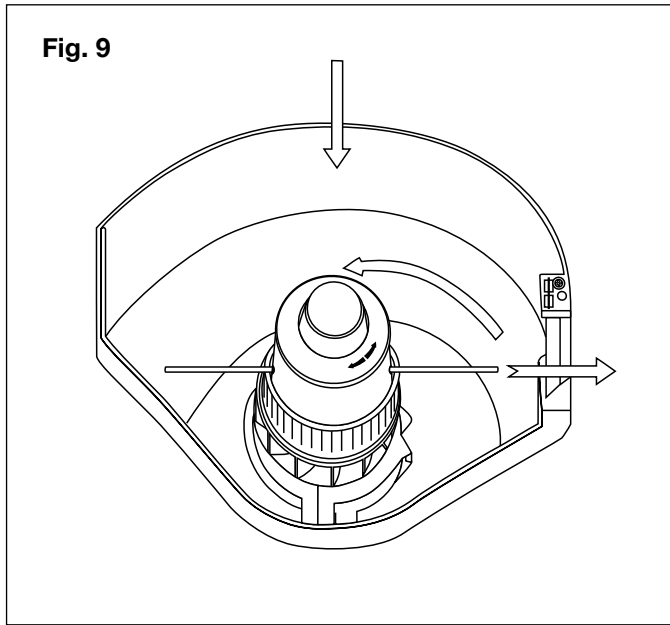


3. Do not overload your trimmer; instead, take small "bites" of grass, working from the top to the bottom. This will keep the machine operating at high speed and will greatly improve its cutting efficiency (Fig. 8).

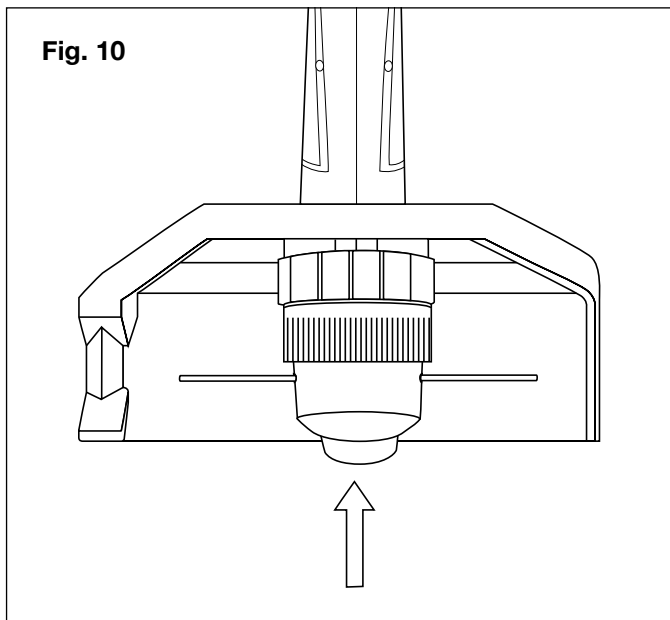


Starting for the first time and operation

1. You will need to exert a certain force to pull out the line when the trimmer is used for the first time. To do so, press on the push button (Fig. 9) and pull out the line to the edge of the guard hood.



2. The line will be cut to the correct length the first time the cutting head is started. A short, worn nylon line will result in poor cutting performance.
3. To restore the correct line length, press the trimmer against the ground while the cutting head is running.
4. The length of the line will then adjust automatically (Fig. 10).



Application

Replacing the spool

⚠WARNING! Unplug the mains supply cable before changing the trimmer line.

NOTE: A dual-line factory wound spool (Model TRJ609ERS) is available for easy spool replacement on the TRJ609E electric grass trimmer. Visit www.snowjoe.com to purchase.

1. Disconnect the main plug.
2. Press together both locking device tabs on the spool cover and remove the cover (Figs. 11-12).
3. Remove the spool from the spool cover (Fig. 13).
4. Remove the spring and clean out any dirt or grass residue.

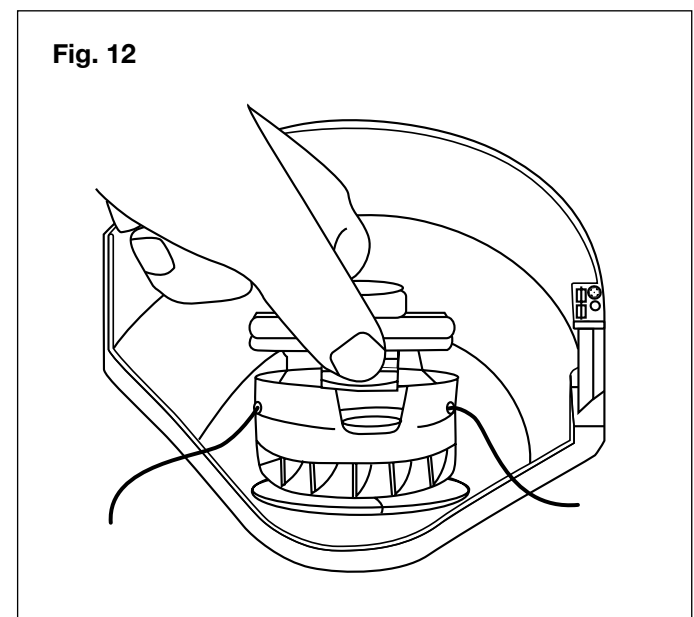
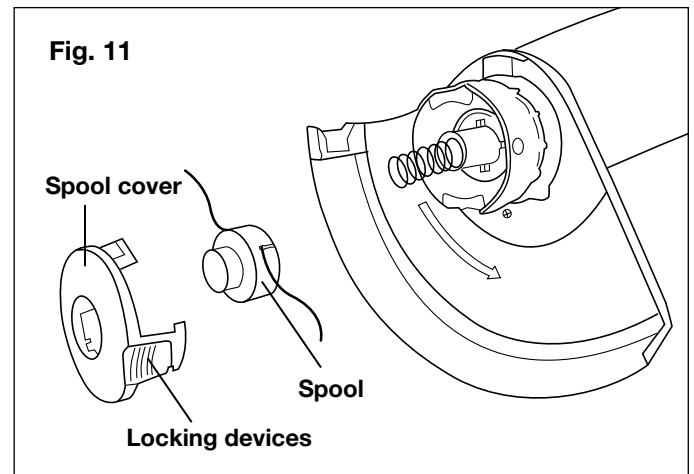


Fig. 13

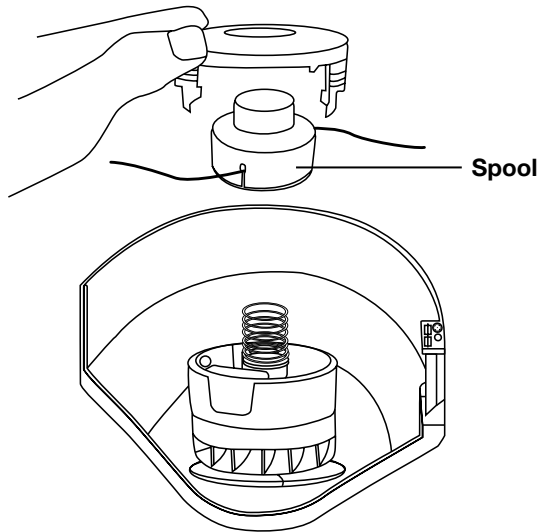
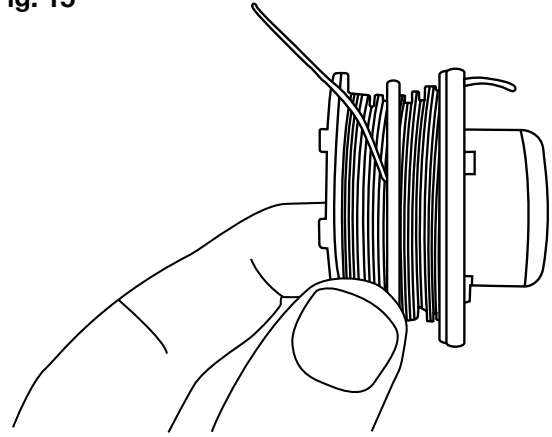


Fig. 15



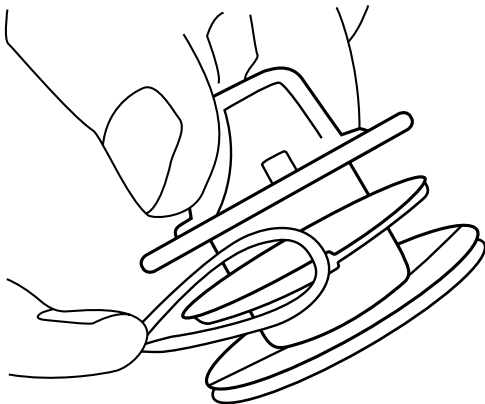
3. Firmly place the white cover on the spool and pull the two ends approximately 3.5 inch (9 cm) out of the spool (Fig. 16)

Winding the line

NOTE: A dual-line factory wound spool (Model TRJ609ERS) is available for easy spool replacement on the TRJ609E electric grass trimmer. Visit www.snowjoe.com to purchase. Should you wish to wind the line yourself, the instructions are provided below. Self-winding, however, is **NOT** recommended because if the line is not wound properly it can cause the trimmer's bump feed system to malfunction. For this reason, users are strongly urged to purchase the pre-wound spool.

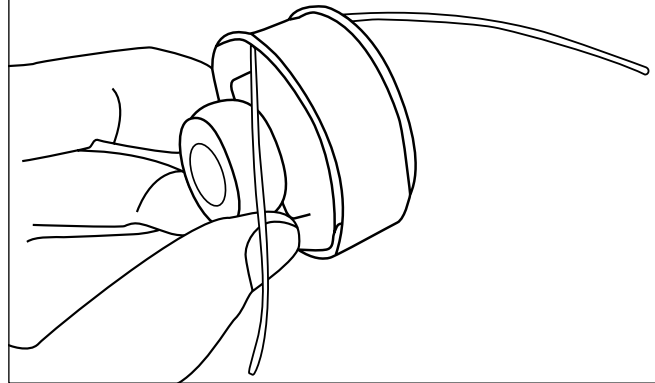
1. The spool can hold 16.4 ft (5 m) of line. Remove the white cover. Holding the loose ends of the line together with one hand, find the center of the line with the other hand and hook this center loop into the groove on the spool as shown in Fig. 14.

Fig. 14



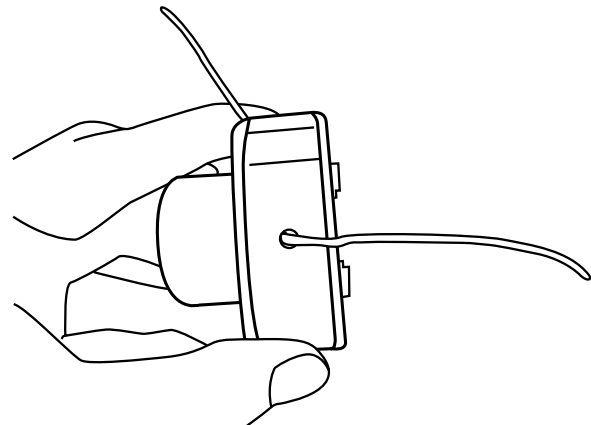
2. Wind the line following the directional arrows on the spool housing and hook the two ends into the side grooves (Fig. 15).

Fig. 16



4. Along the groove, slide the line into the hole in the spool cover (Fig. 17).

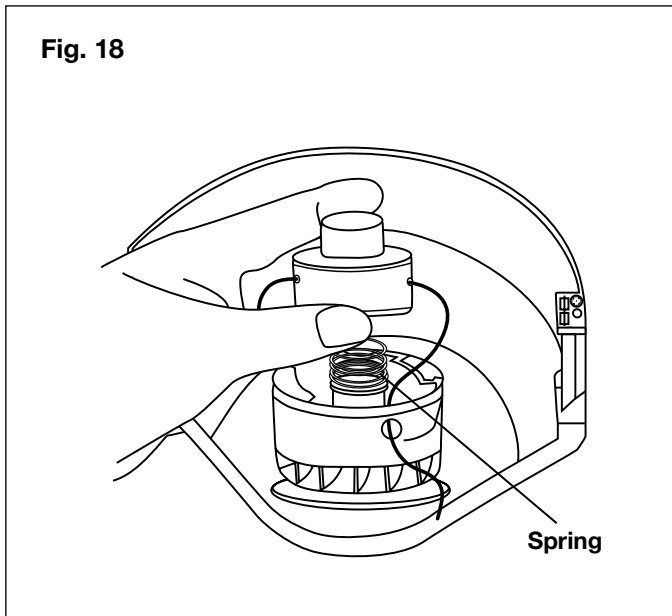
Fig. 17



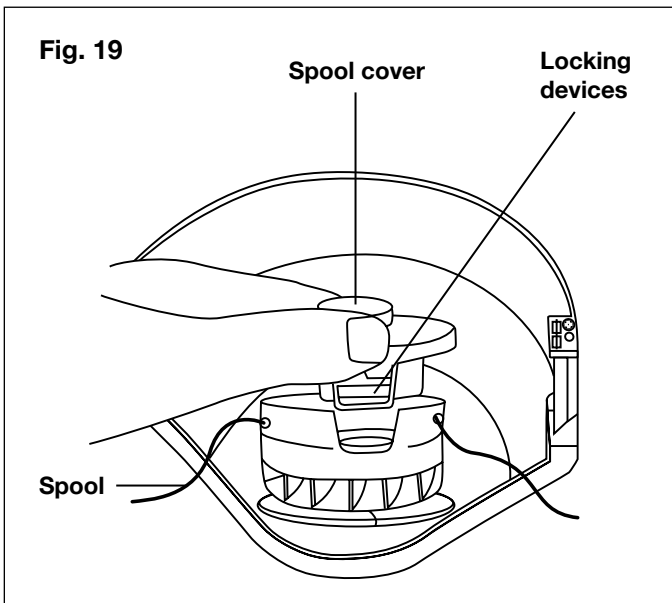
5. Prepare to assemble the spool into the trimmer.

Assembling the spool

NOTE: Users are strongly urged to purchase the pre-wound spool. A dual-line factory wound spool (Model TRJ609ERS) is available for easy spool replacement on the TRJ609E electric grass trimmer. Visit www.snowjoe.com to purchase. When using the factory wound spool, keep the protective white cover encasing the line in place, then follow the directions below to feed the line into the grass trimmer.



1. Insert the spring into the shroud and thread the line into the hole as shown in Fig. 18.
2. Place the spool cover on the spool and press it firmly down until the locking devices of the spool cover securely click into place (Fig. 19).



⚠ CAUTION! Catapulted pieces of nylon line may cause injury.

NOTE: The maximum recommended length of line in the spool is 8 ft (2.5 m) per slot.

⚠ WARNING! Pay attention to the winding direction.

1. Always replace the spool with a new pre-wound spool. Visit www.snowjoe.com to purchase the pre-wound spool (Model TRJ609ERS) for this electric trimmer.
2. Insert the end of the line through the eyelet in the cutting head.

IMPORTANT: Keep all areas of the cutting head cover and cutting head clean. Place the cap back by pushing it firmly onto the cutting head. To ensure that the cutting head cover is correctly fitted, try to remove it without depressing the two latches. If it is correctly fitted, it should not move.

Maintenance

⚠ WARNING! Make sure to unplug your trimmer before inspecting its parts.

Be sure the tool is unplugged.

- Your grass trimmer requires no additional lubrication or maintenance. There are no user serviceable parts in your power tool.
- Your trimmer line can dry out over time. To keep your line in top condition, store spare pre-wound spools or bulk line in a plastic, resealable bag with a tablespoon of water.
- Never use water or chemical cleaners to clean your grass trimmer. Wipe it clean with a dry cloth.
- Plastic parts may be cleaned by using mild soap and a damp rag.
- Always store your grass trimmer in a dry place. Do not allow any liquid to get inside it.
- Keep the motor ventilation slots clean.
- If you see some sparks flashing in the ventilation slots, this is normal and will not damage your power tool.
- There are no user serviceable parts in the trimmer. If a fault is suspected, return the trimmer to an authorized dealer for repair.

IMPORTANT:

To ensure product safety and reliability, repairs, maintenance and adjustment should be performed by authorized service centers or other qualified service organizations, always using identical replacement parts.

Storage

Follow these recommendations for storing the grass trimmer.

- Clean the grass trimmer thoroughly before storing.
- Store the trimmer in a stable and safe position out of the reach of children. Keep the trimmer in a dry place where the temperature is not too hot or too cold.
- Do not store the grass trimmer resting against the floor. Hang it by the upper handgrip so that the guard does not touch anything. If the guard rests against a surface, its shape and dimensions could be permanently altered, and could render the machine unsafe to use.

Troubleshooting

If your tool does not seem to operate properly, follow the instructions below. If this does not solve the problem, please contact your local dealer's authorized service center.

- Unplug the tool before checking its correct functioning.

Tool runs slowly

- Check that the spool housing can rotate freely. Carefully clean it if necessary.
- Check that the cutting line does not protrude. If it does, cut it off so that it just reaches the line trimming blade.

Bump line feed does not work

- Keep the tabs depressed and remove the spool cover from the housing.
- Pull the cutting line until it reaches the trimming blade. If insufficient cutting line is left on the spool, install a new spool of cutting line as instructed.
- Align the tabs on the spool cover with the holes in the housing.
- Push the cover onto the housing until it snaps securely into place.
- If the cutting line protrudes beyond the trimming blade, cut it off so that it just reaches the blade.

Service and Support

If your Electric Grass Trimmer requires service or maintenance, please call 1-866-766-9563 for assistance.

Model and Serial Numbers

When contacting the company or reordering parts, you will need to provide the model and serial numbers of your product. These are found on the decal affixed to the housing or guard of your Electric Grass Trimmer. Copy these numbers into the space provided below.

Record the following numbers from the housing or handle of your new product:

Model #: T | R | J | 6 | 0 | 9 | E |

Serial #: _____



A Two-Year Full Warranty for residential use in the United States and Canada



General Conditions:

Snow Joe®, LLC warrants this product to the original purchaser for two years against defects in material or workmanship when used for normal residential purposes. Snow Joe®, LLC will repair any defect in material or workmanship, and repair or replace any defective part, subject to the conditions, limitations, and exclusions set forth herein. Such repair or parts replacement will be free from charge to the original purchaser except noted below.

The duration of the warranty applies only if the product is put to personal use around the household or residence. If the product is put to any business use, commercial or industrial, then the duration of this warranty is 90 days from the date of original purchase. If any product is rented or leased, the duration of the warranty is 90 days from the date of original purchase.

It is the owner's responsibility to perform correctly all maintenance, and minor adjustments explained in the owner's manual.

Electric Products:

To obtain a replacement electric powered unit or repair the existing electric powered unit, you must return the complete unit and postage prepaid to: **Snow Joe Return Center, 86 Executive Avenue, Edison, NJ 08817.**

Gasoline / Battery Products:

Limitations

- Batteries are warranted only for the period of 12 months after the date of purchase on a prorated basis. Rechargeable batteries will be replaced free from charge during the first 90 days. After the initial 90 days, batteries will be replaced at a prorated cost to the customer.
- Idlers, cables, and electrical components are warranted to the original purchaser for use at household or residence for a period of two years.

Exclusions

- Snow Joe® brand engines are covered under this warranty. All other engines and engine accessories are covered only by the engine manufacturer's warranty and are not covered by this warranty.
- Parts used that are not genuine Snow Joe® parts are not covered by this warranty.
- Damages resulting from misuse, alteration, improper assembly, improper adjustment, neglect, or accident which requires repair is not covered under this warranty.
- Belts, augers, and tines are not covered under warranty – belts, augers, and tines wear out and can be purchased at www.snowjoe.com or by calling 1-866-766-9563.

Snow Joe®, LLC may from time to time change the design of its products. Nothing contained in this warranty shall be construed as obligating Snow Joe®, LLC to incorporate such design changes into previously manufactured products, nor shall such changes be construed as an admission that previous designs were defective.

This warranty is intended to cover product defects only. Snow Joe®, LLC is not liable for indirect, incidental, or consequential damages in connection with the use of the Snow Joe® Products covered by this warranty. This warranty does not cover any cost or expense incurred by the purchaser in providing substitute equipment or service during reasonable periods of malfunction or non-use of this product, while waiting for completion of repairs under this warranty. Some states do not allow exclusions of incidental or consequential damages, so the above exclusions may not apply in all states. This warranty may give you specific legal rights in your state.

**If you wish to contact Snow Joe®, please direct inquiries to the:
Customer Service Department
Snow Joe Center
86 Executive Avenue
Edison, NJ 08817**

Customers who have purchased Snow Joe® products exported from the United States and Canada should contact their Snow Joe® Distributor (Dealer) to obtain information applicable for your country, province, or state. If for any reason, you are not satisfied with the distributor's service, or if you have difficulty obtaining warranty information, contact your Snow Joe® seller. If in the event your efforts are unsatisfactory, please write to the Snow Joe® Center at the above address.

If you have any questions about your product warranty, please call 1-866-SNOW-JOE or visit us online at www.snowjoe.com.